

US00D669271S

(12) **United States Design Patent**  
**May**

(10) **Patent No.:** **US D669,271 S**

(45) **Date of Patent:** **\*\* Oct. 23, 2012**

(54) **SINGLE PANEL FOLIO**

(76) Inventor: **Brian May**, Chattanooga, TN (US)

(\*\*) Term: **14 Years**

(21) Appl. No.: **29/387,235**

(22) Filed: **Mar. 10, 2011**

(51) **LOC (9) Cl.** ..... **03-01**

(52) **U.S. Cl.** ..... **D3/303**

(58) **Field of Classification Search** ..... D3/300,  
D3/301, 303, 225-227, 215, 218, 214; 206/576,  
206/701, 703, 37-38, 235

See application file for complete search history.

(56) **References Cited**

U.S. PATENT DOCUMENTS

D422,406 S *	4/2000	Dweck et al.	.....	D3/247
D582,675 S *	12/2008	Nelson	.....	D3/301
D599,400 S *	9/2009	Lapsker	.....	D19/26
D637,814 S *	5/2011	Akana et al.	.....	D3/303

\* cited by examiner

*Primary Examiner* — Holly Baynham

(74) *Attorney, Agent, or Firm* — Stephen J. Stark; Miller & Martin PLLC

(57) **CLAIM**

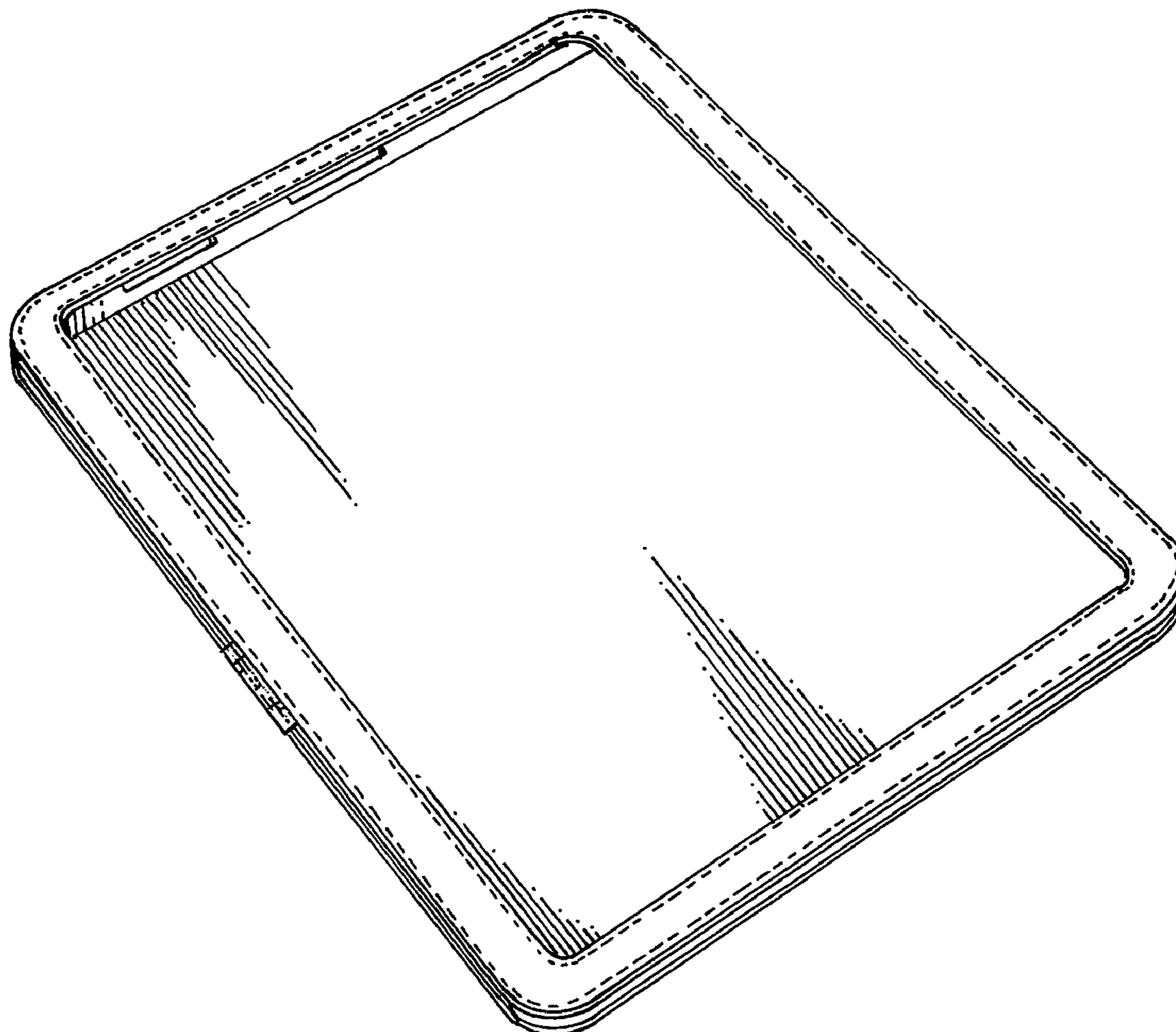
The ornamental design for a single panel folio, as is shown and described herein.

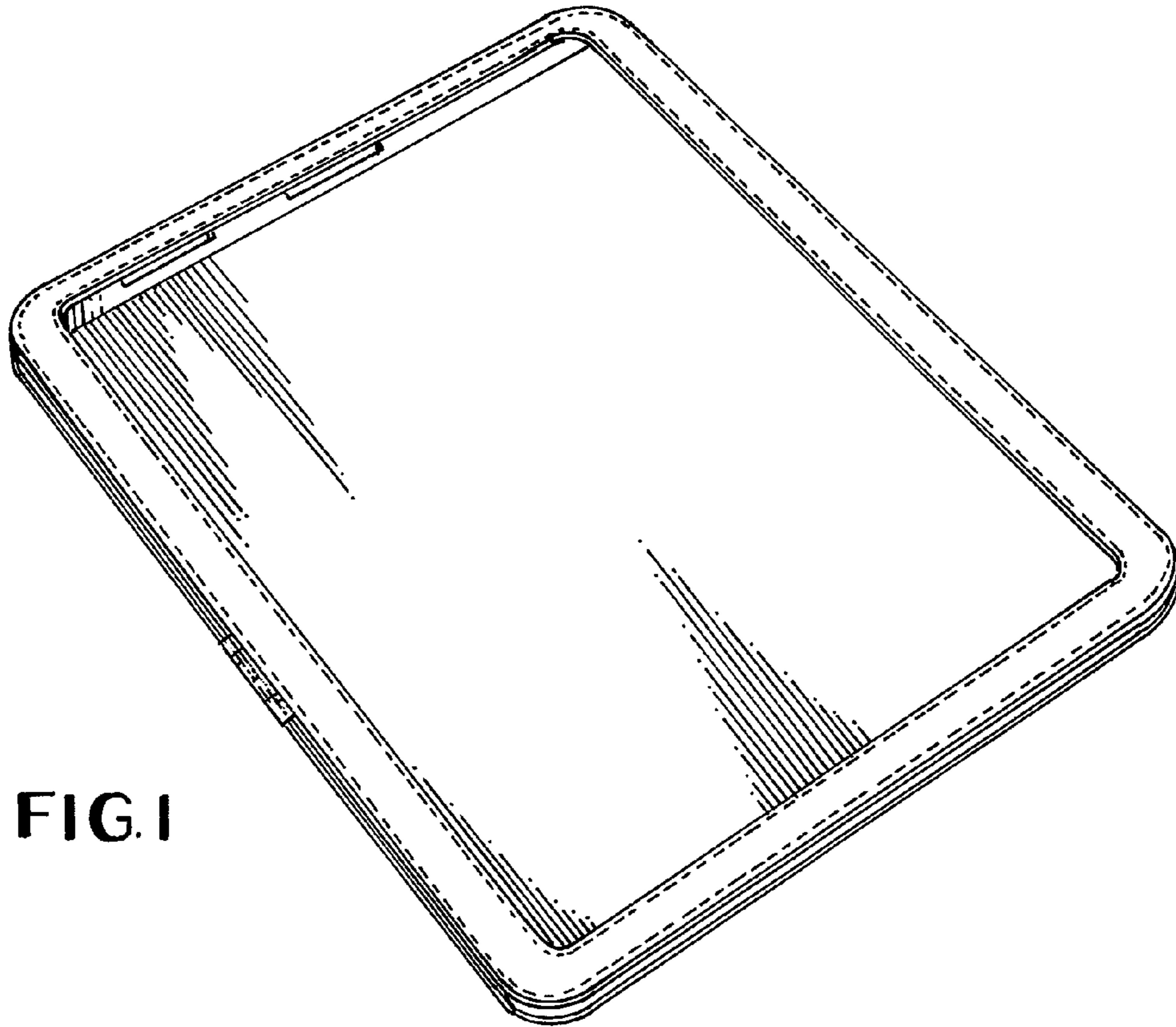
**DESCRIPTION**

FIG. 1 is a perspective view of the holder;  
FIG. 2 is a top side elevational view thereof;  
FIG. 3 is a right side elevational view thereof;  
FIG. 4 is a back elevational view;  
FIG. 5 is a left side elevational view thereof;  
FIG. 6 is a bottom elevational view thereof; and,  
FIG. 7 is a top elevational view thereof.

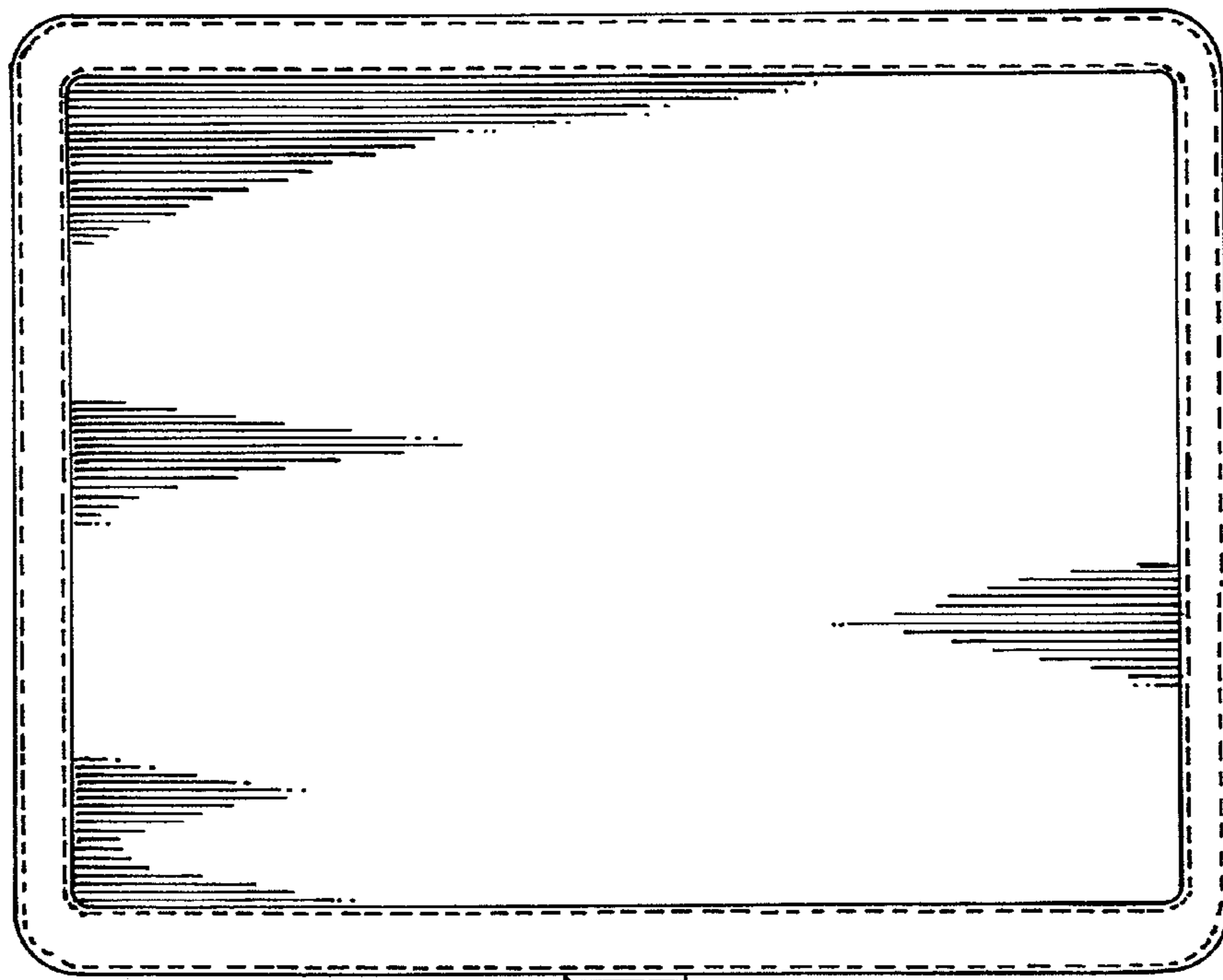
The broken lines showing stitching are for the purposes of illustrating environment and form no part of the claimed design.

**1 Claim, 3 Drawing Sheets**





**FIG. 1**



**FIG. 2**

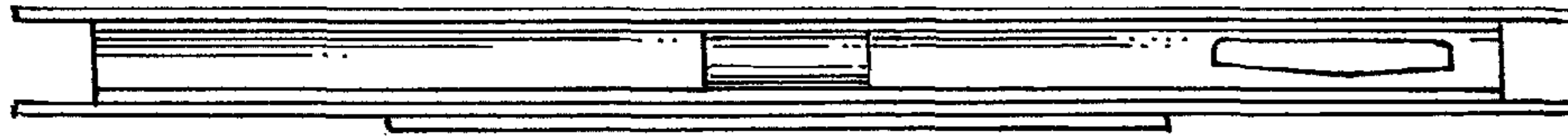


FIG. 3

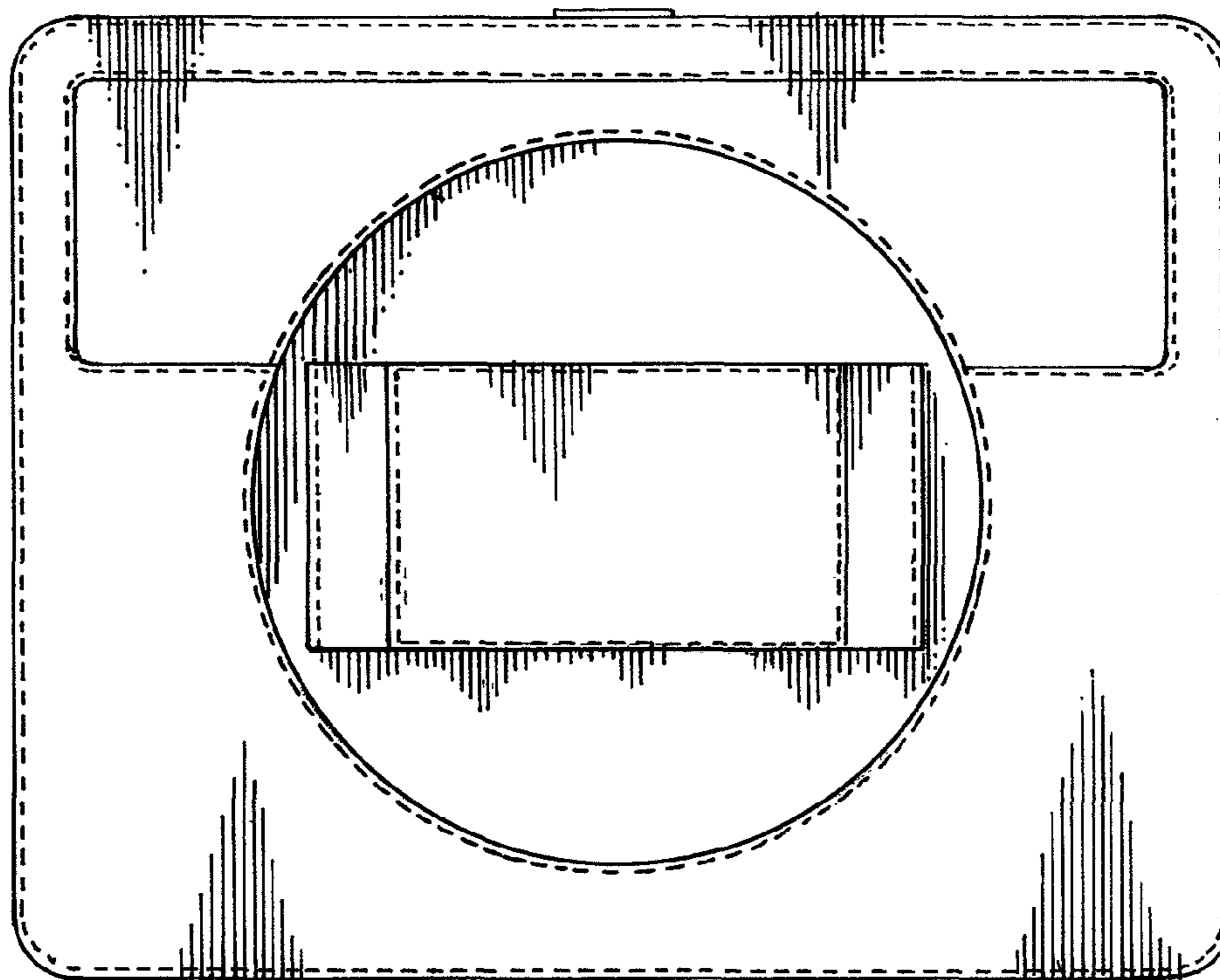


FIG. 4

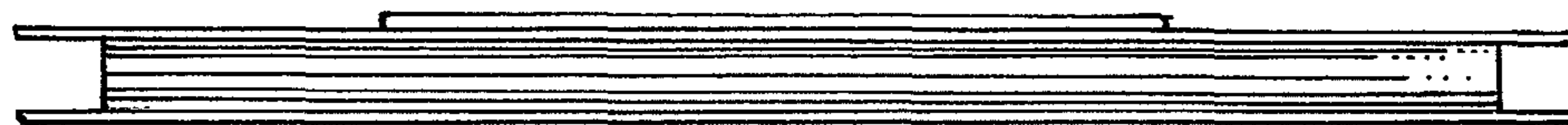
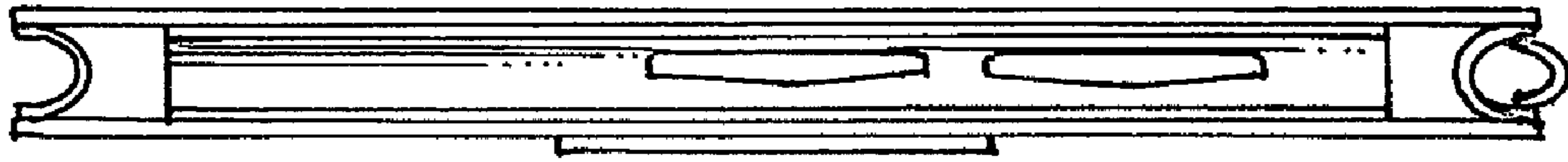
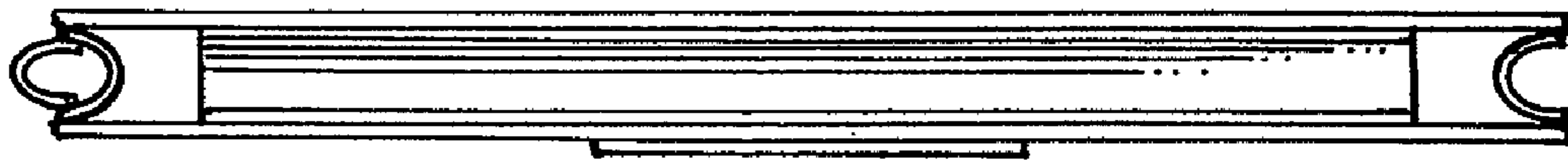


FIG. 5



**FIG. 6**



**FIG. 7**