

US00D669269S

(12) **United States Design Patent**
Fair

(10) **Patent No.:** **US D669,269 S**

(45) **Date of Patent:** **** Oct. 23, 2012**

(54) **ELECTRONIC DEVICE CASE**

(75) Inventor: **Paul Fair**, Denver, CO (US)

(73) Assignee: **Thule Organization Solutions, Inc.**,
Longmont, CO (US)

(**) Term: **14 Years**

(21) Appl. No.: **29/402,187**

(22) Filed: **Sep. 21, 2011**

(51) **LOC (9) Cl.** **03-01**

(52) **U.S. Cl.** **D3/301**

(58) **Field of Classification Search** D3/273,
D3/276, 280, 283-293, 300, 301, 303, 299;
206/320; 190/100-127, 900-903; 150/106-108,
150/110-112, 118, 127-130; D14/250, 440,
D14/238.1

See application file for complete search history.

Notice of Allowance for U.S. Appl. No. 29/402,188, mailed Jul. 13, 2012, 7 pages.

Notice of Allowance for U.S. Appl. No. 29/402,198, mailed Jul. 13, 2012, 8 pages.

Notice of Allowance for U.S. Appl. No. 29/402,841, mailed Jun. 6, 2012, 7 pages.

Notice of Allowance for U.S. Appl. No. 29/423,243, mailed Jul. 13, 2012, 9 pages.

* cited by examiner

Primary Examiner — Jennifer Rivard

(74) *Attorney, Agent, or Firm* — Sheridan Ross P.C.

(57) **CLAIM**

The ornamental design for an electronic device case, as shown and described.

(56) **References Cited**

U.S. PATENT DOCUMENTS

D345,647 S	4/1994	Luxon	
6,691,843 B2	2/2004	Nykoluk et al.	
D497,051 S *	10/2004	Nieves	D3/301
D499,772 S *	12/2004	Creech	D3/301
D500,204 S *	12/2004	Hillman	D3/301
6,896,134 B2 *	5/2005	Russell et al.	206/320
D518,293 S *	4/2006	Lam	D3/273
D529,717 S *	10/2006	Brancky	D3/285
D531,409 S	11/2006	Tullmann et al.	
D568,047 S *	5/2008	Brancky	D3/284
D574,615 S *	8/2008	Picot et al.	D3/289
D594,659 S	6/2009	Lown et al.	
D612,606 S	3/2010	Waldeck	
D613,054 S *	4/2010	Morszeck	D3/205
D624,318 S	9/2010	Williams et al.	
D628,384 S	12/2010	McCarthy	
D643,214 S *	8/2011	Weedon et al.	D3/276
D643,626 S	8/2011	Swartz et al.	
D646,061 S *	10/2011	Chang	D3/323
D646,892 S	10/2011	Littleton	
D652,214 S *	1/2012	Swartz et al.	D3/301
D660,592 S	5/2012	Mecchella	

OTHER PUBLICATIONS

U.S. Appl. No. 29/423,243, Fair.

DESCRIPTION

FIG. 1 is a front perspective view of the electronic device case;

FIG. 2 is a front elevation view thereof;

FIG. 3 is a rear elevation view thereof;

FIG. 4 is a left elevation view thereof;

FIG. 5 is a right elevation view thereof;

FIG. 6 is a top plan view thereof;

FIG. 7 is a bottom plan view thereof;

FIG. 8 is a front perspective view of an alternative embodiment of the electronic device case;

FIG. 9 is a front elevation view thereof;

FIG. 10 is a rear elevation view thereof;

FIG. 11 is a left elevation view thereof;

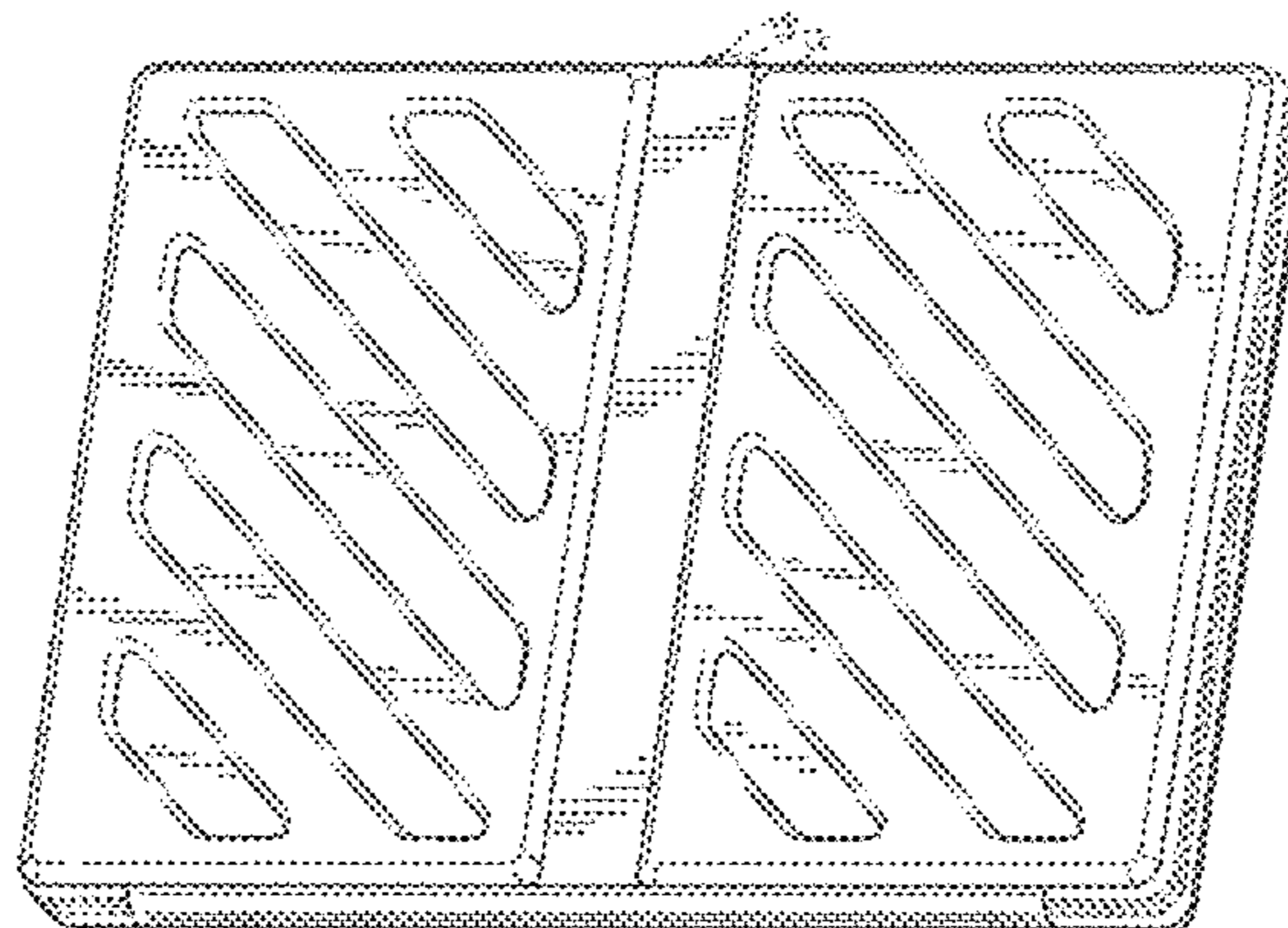
FIG. 12 is a right elevation view thereof;

FIG. 13 is a top plan view thereof; and,

FIG. 14 is a bottom plan view thereof.

The broken showing of an electronic device case is included for the purpose of illustrating environment and forms no part of the claimed design.

1 Claim, 10 Drawing Sheets



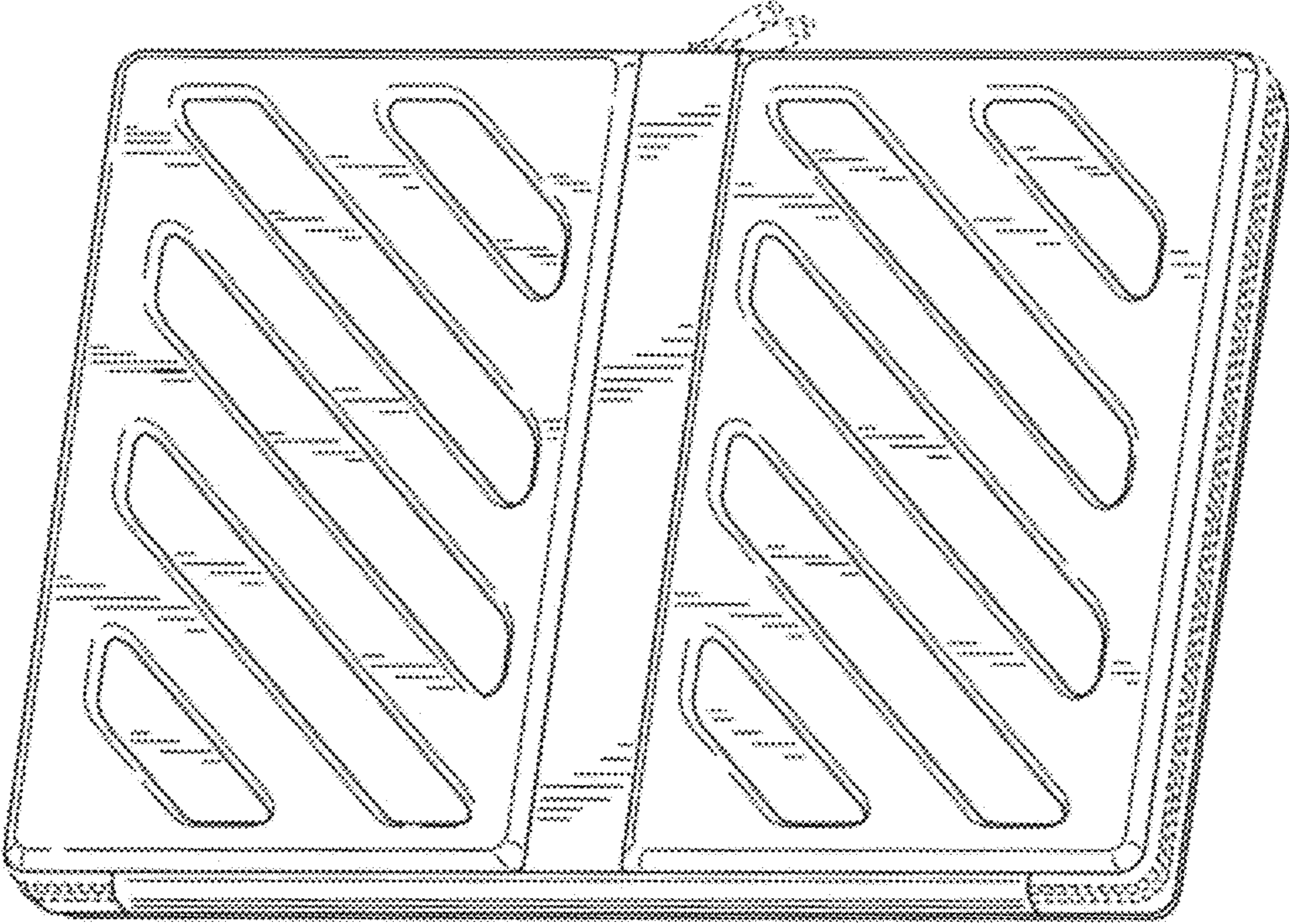


FIG.1

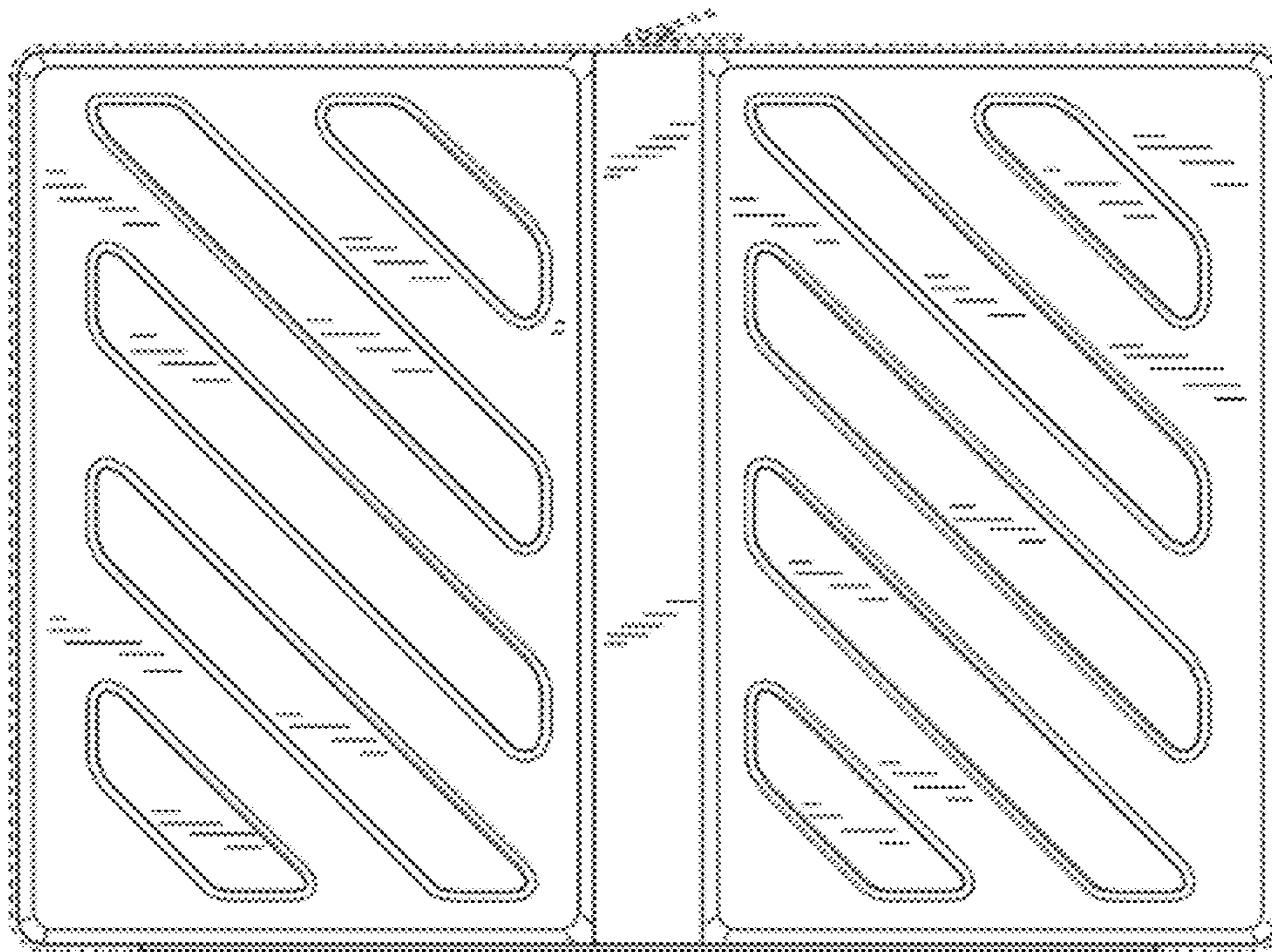


FIG. 2

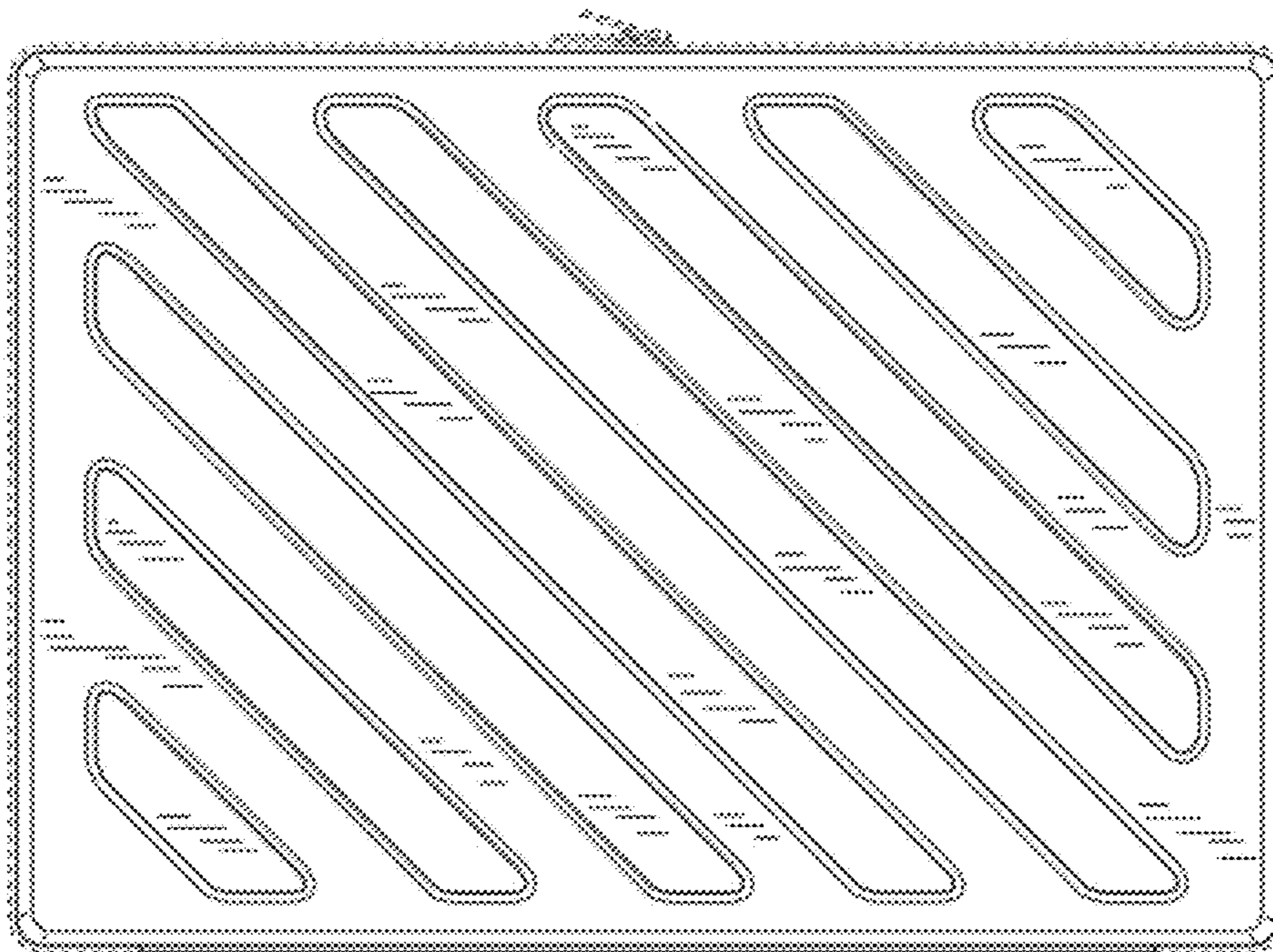


FIG.3

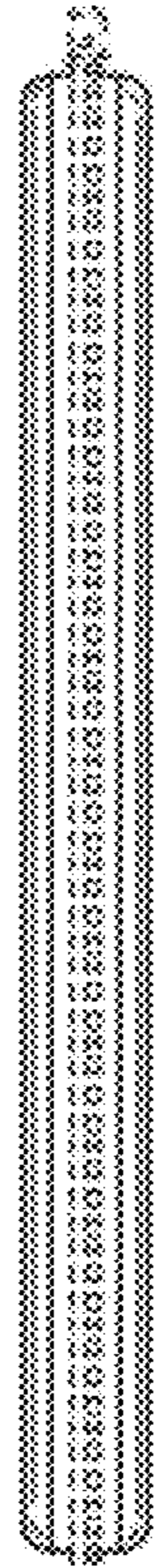


FIG. 4



FIG. 5

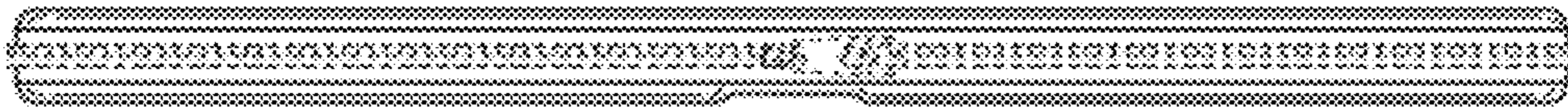


FIG. 6



FIG. 7

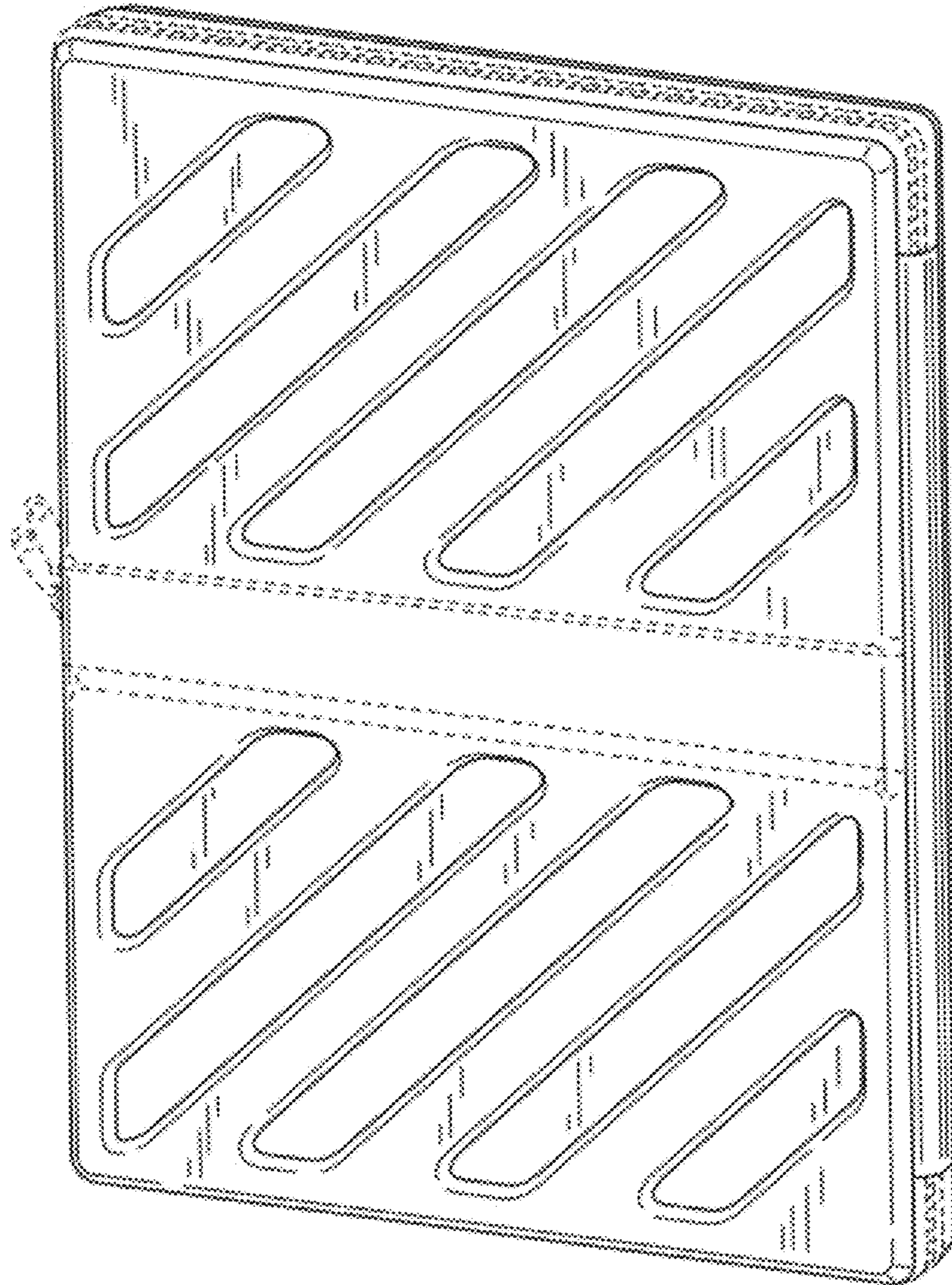


FIG.8

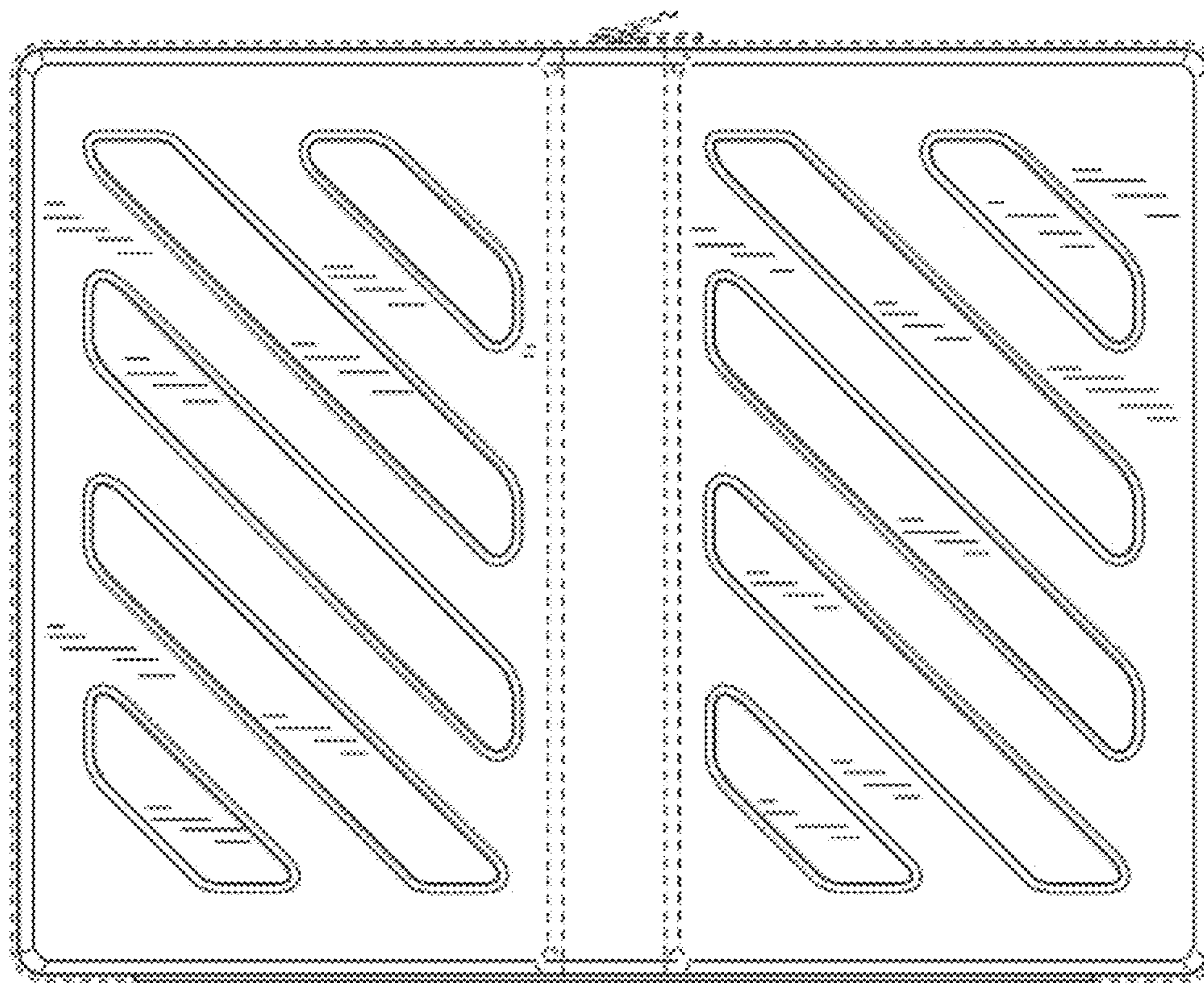


FIG. 9

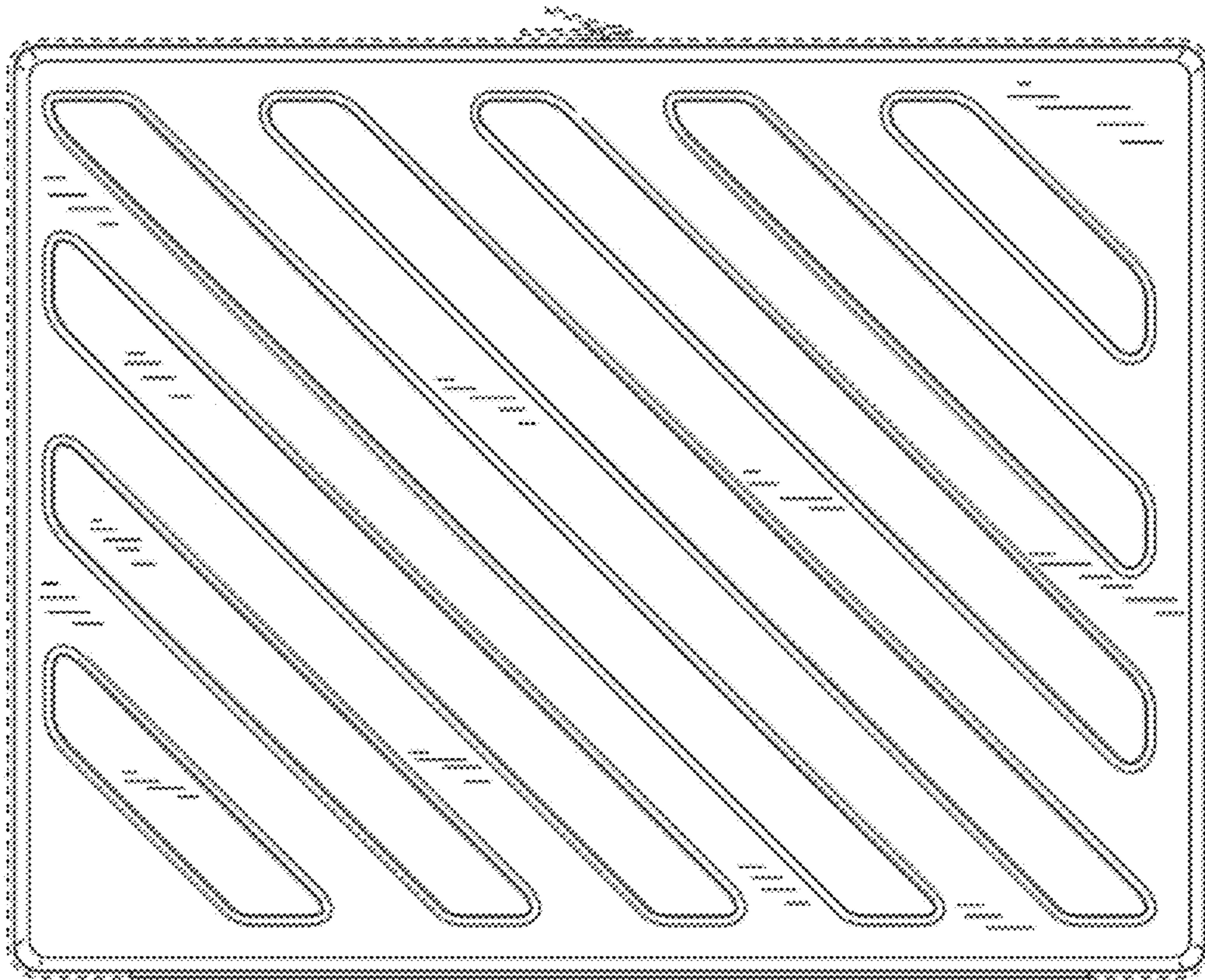


FIG.10

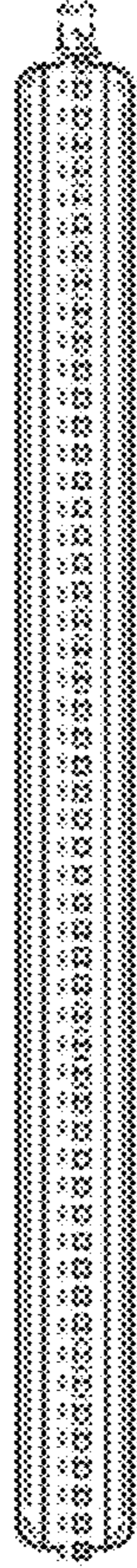


FIG. 11



FIG. 12



FIG. 13

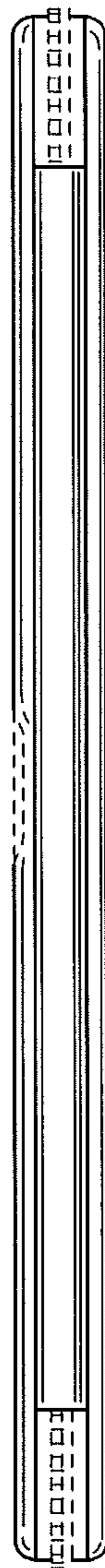


FIG. 14