

US00D669266S

(12) **United States Design Patent**  
**Loudenslager et al.**

(10) **Patent No.:** **US D669,266 S**  
(45) **Date of Patent:** **\*\* Oct. 23, 2012**

(54) **GOLF BAG TOP**

(75) Inventors: **John H. Loudenslager**, Phoenix, AZ  
(US); **Brian J. McGuire**, Phoenix, AZ  
(US)

(73) Assignee: **Karsten Manufacturing Corporation**,  
Phoenix, AZ (US)

(\*\*) Term: **14 Years**

(21) Appl. No.: **29/399,921**

(22) Filed: **Aug. 19, 2011**

(51) **LOC (9) Cl.** ..... **03-01**

(52) **U.S. Cl.** ..... **D3/255**

(58) **Field of Classification Search** ..... D3/255,  
D3/318; 206/315.2-315.3

See application file for complete search history.

(56) **References Cited**

U.S. PATENT DOCUMENTS

D118,815 S	2/1940	Ferguson
3,331,419 A	7/1967	Bencriscutto
4,596,328 A	6/1986	Solheim
4,600,100 A	7/1986	Solheim
4,667,820 A	5/1987	Solheim
4,834,235 A	5/1989	Solheim
4,844,253 A	7/1989	Reimers
D308,441 S	6/1990	Quellais
5,099,990 A	3/1992	Antonious
5,431,278 A	7/1995	Gretz
5,450,955 A	9/1995	Olson
D372,362 S	8/1996	Bryant
D373,667 S	9/1996	Hunsaker
D382,406 S	8/1997	Kim
D382,707 S	8/1997	Wang
D385,113 S	10/1997	Beck
D385,114 S	10/1997	Su
D389,311 S	1/1998	Wang

D389,650 S	1/1998	Rhee
5,725,095 A	3/1998	Beck
D402,469 S	12/1998	Suk
D405,607 S *	2/1999	Sundara et al. .... D3/255
D406,459 S	3/1999	Sundara
5,941,383 A	8/1999	Cheng
D421,839 S	3/2000	Beck
D422,789 S	4/2000	Sundara
D422,791 S	4/2000	Han
D429,416 S	8/2000	Heidenreich

(Continued)

OTHER PUBLICATIONS

John H. Loudenslager, et al., "Golf Bag Top," U.S. Appl. No. 29/386,562, filed Feb. 2, 2011.

(Continued)

Primary Examiner — Holly Baynham

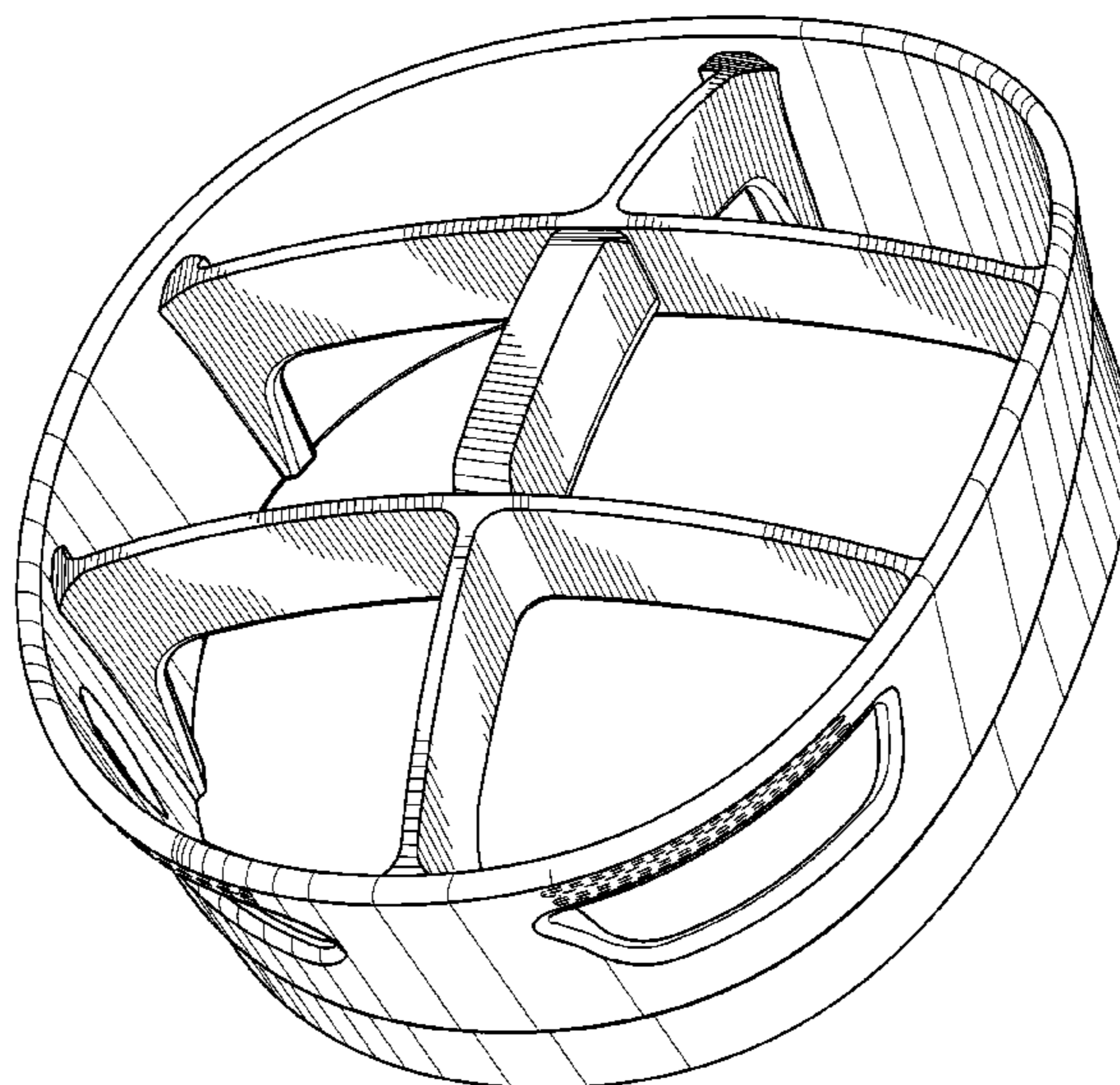
(57) **CLAIM**

The ornamental design for a golf bag top, as shown and described.

**DESCRIPTION**

FIG. 1 is a top perspective view of a golf bag top; FIG. 2 is a bottom perspective view of the golf bag top of FIG. 1; FIG. 3 is a top view of the golf bag top of FIG. 1; FIG. 4 is a bottom view of the golf bag top of FIG. 1; FIG. 5 is a rear view of the golf bag top of FIG. 1; FIG. 6 is a front view of the golf bag top of FIG. 1; FIG. 7 is a left view of the golf bag top of FIG. 1; and, FIG. 8 is a right view of the golf bag top of FIG. 1. The broken lines showing elements of the golf bag top are for the purposes of illustrating environment and form no part of the claimed design.

**1 Claim, 7 Drawing Sheets**



# US D669,266 S

Page 2

## U.S. PATENT DOCUMENTS

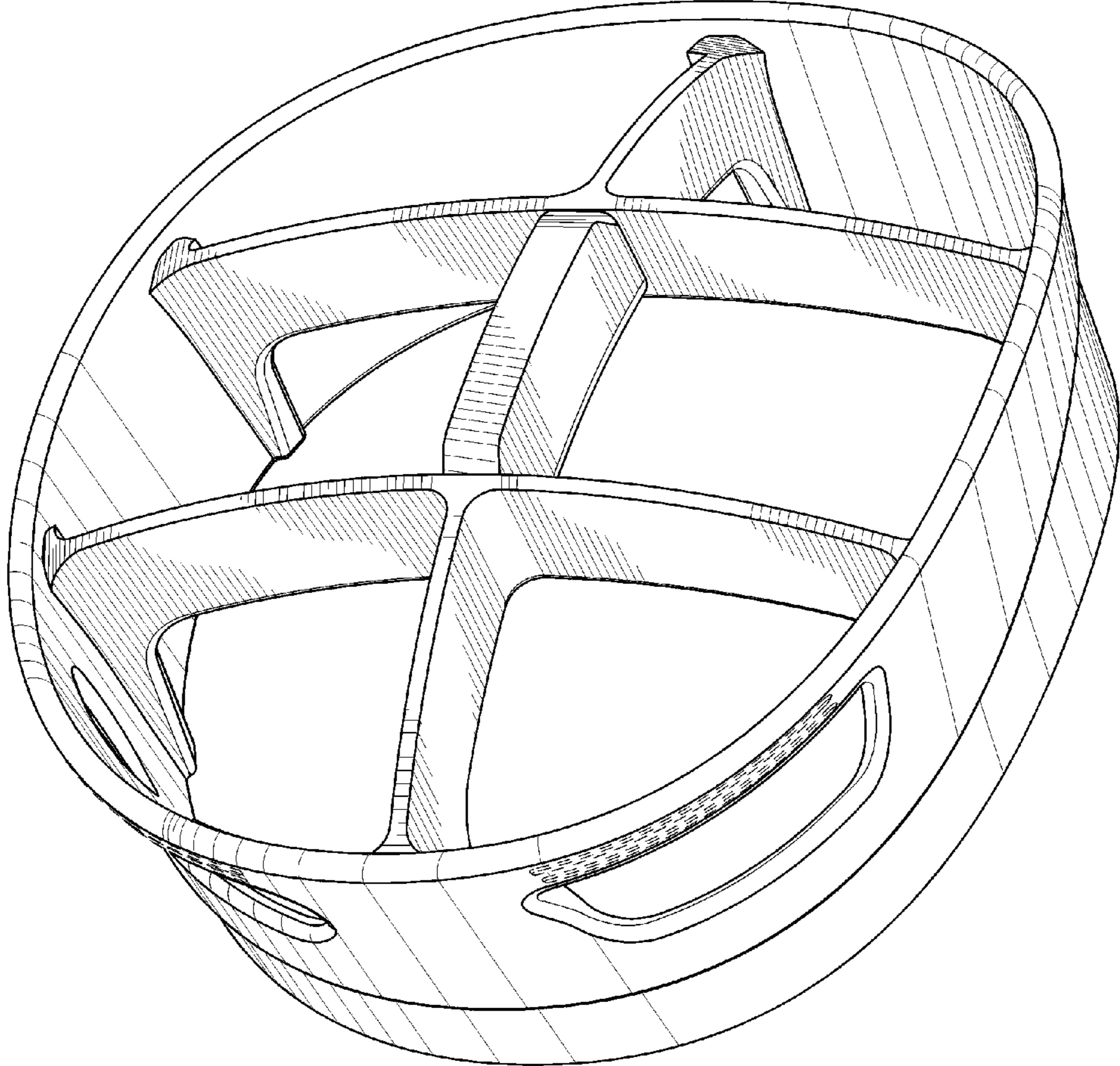
6,148,998 A 11/2000 Tan  
D434,905 S 12/2000 Ryan  
6,199,690 B1 3/2001 Shin  
D454,249 S 3/2002 Schmidt  
6,450,334 B1 9/2002 Chang  
6,494,416 B2 12/2002 Wang  
6,513,653 B1 2/2003 Chen  
6,564,936 B1 5/2003 Campbell  
6,568,527 B1 5/2003 Te-Pin  
D478,422 S 8/2003 Chen  
D487,543 S 3/2004 Chang  
6,712,206 B2\* 3/2004 Chen ..... 206/315.7  
6,726,009 B1 4/2004 Larson  
D493,620 S 8/2004 Reimers  
D494,761 S 8/2004 Gray  
6,817,469 B2 11/2004 Chang  
D501,604 S 2/2005 Kadoya  
6,877,604 B2 4/2005 Pratt  
D512,838 S 12/2005 Schmidt  
D513,125 S 12/2005 Anderson  
D513,876 S 1/2006 Solheim  
D513,877 S 1/2006 Solheim  
D513,878 S 1/2006 Anderson  
D515,316 S 2/2006 Chang  
D517,808 S 3/2006 Reimers  
7,014,040 B2 3/2006 Anderson  
D520,751 S 5/2006 Chang  
D520,752 S 5/2006 Solheim  
D522,754 S 6/2006 Anderson  
D523,639 S 6/2006 Vosloo  
D523,640 S 6/2006 Vosloo  
D525,034 S 7/2006 Vosloo  
D530,922 S 10/2006 Anderson  
7,124,887 B2 10/2006 Reimers  
D534,355 S 1/2007 Renahan

D537,252 S 2/2007 Vosloo  
D537,634 S 3/2007 Renahan  
D538,042 S 3/2007 Suggs  
7,216,762 B2 5/2007 Chen  
D544,210 S 6/2007 McGuire  
D546,064 S 7/2007 Vosloo  
D546,561 S 7/2007 Vosloo  
D557,501 S 12/2007 Suggs  
D557,502 S 12/2007 Quartarone, III  
D566,398 S 4/2008 Hooley  
D566,965 S 4/2008 Hooley  
D566,966 S 4/2008 Hooley  
7,357,251 B2 4/2008 Vosloo  
D577,916 S 10/2008 Quartarone, III  
D580,656 S 11/2008 Quartarone, III  
D613,063 S 4/2010 Quartarone, III  
D613,064 S 4/2010 Quartarone, III  
D613,065 S 4/2010 McGuire  
D613,066 S 4/2010 McGuire  
7,909,215 B2 3/2011 McGuire  
2001/0025802 A1 10/2001 Sutter  
2002/0179466 A1 12/2002 Maeng  
2002/0189962 A1 12/2002 Chen  
2004/0211688 A1 10/2004 Doss  
2005/0092630 A1 5/2005 Chen

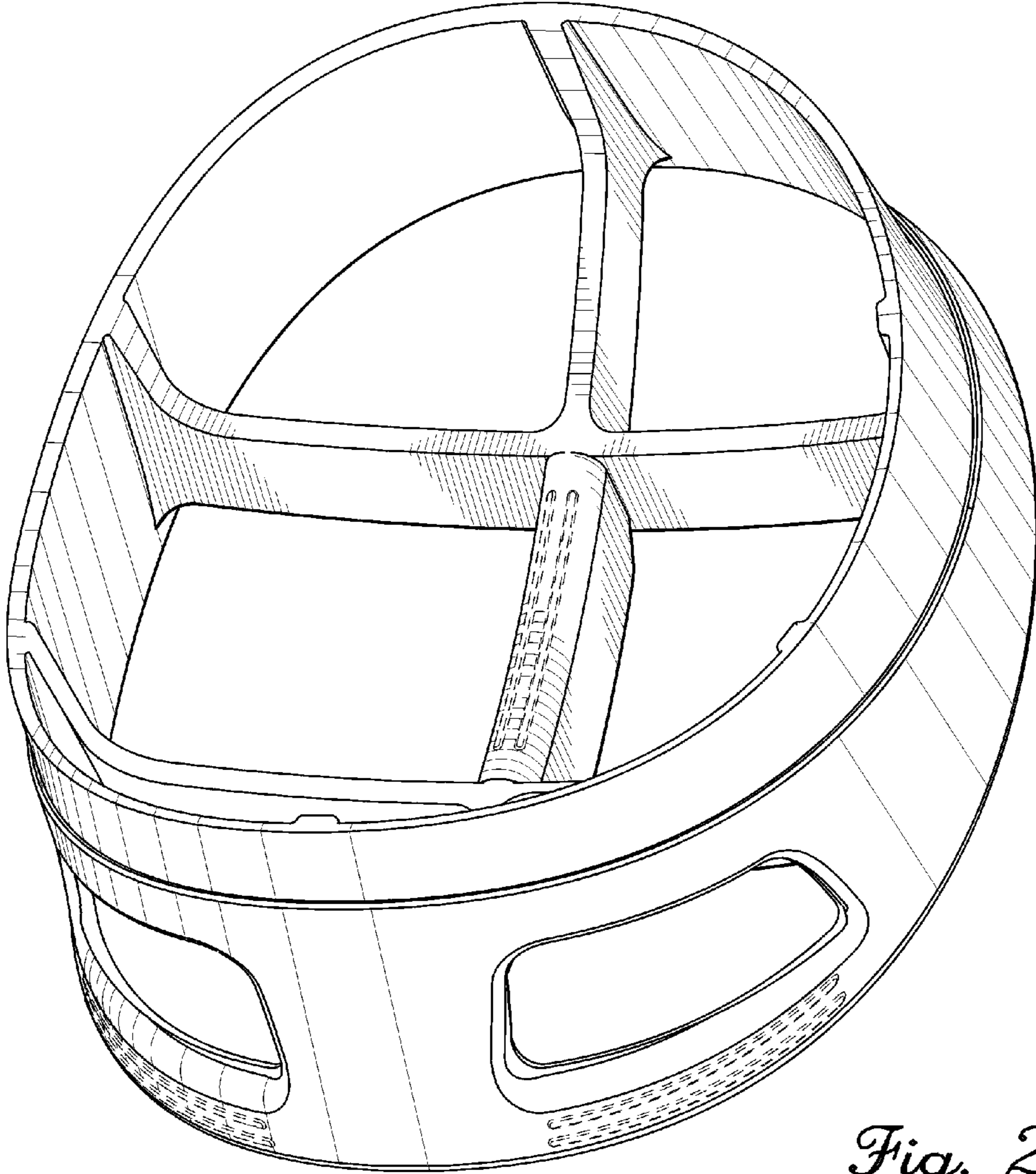
## OTHER PUBLICATIONS

John H. Loudenslager, et al., "Golf Bag Top," U.S. Appl. No. 29/386,566, filed Feb. 2, 2011.  
John H. Loudenslager, et al., "Golf Bag Top," U.S. Appl. No. 29/386,569, filed Feb. 2, 2011.  
John H. Loudenslager, et al., "Golf Bag Top," U.S. Appl. No. 29/387,870, filed Mar. 18, 2011.

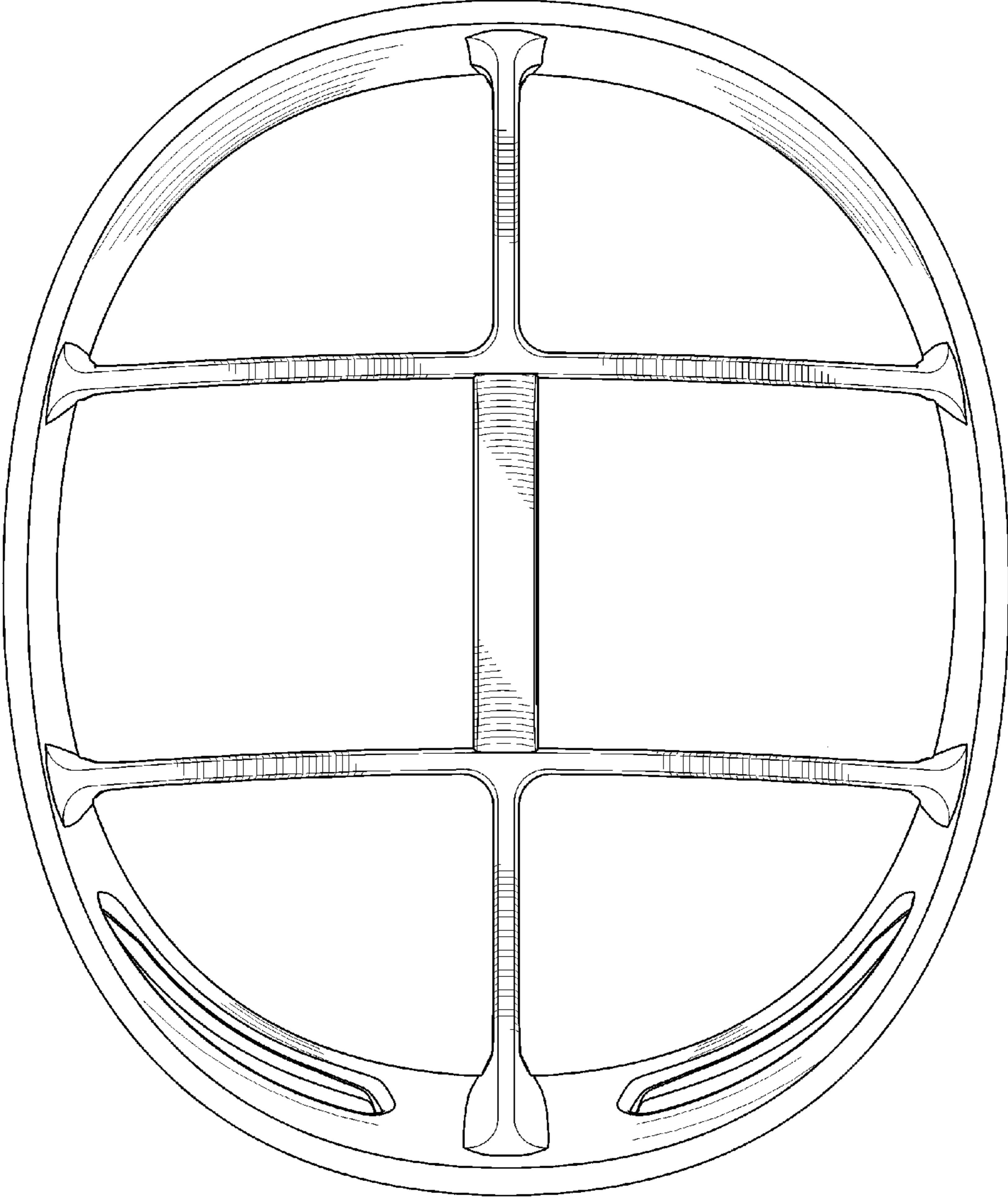
\* cited by examiner



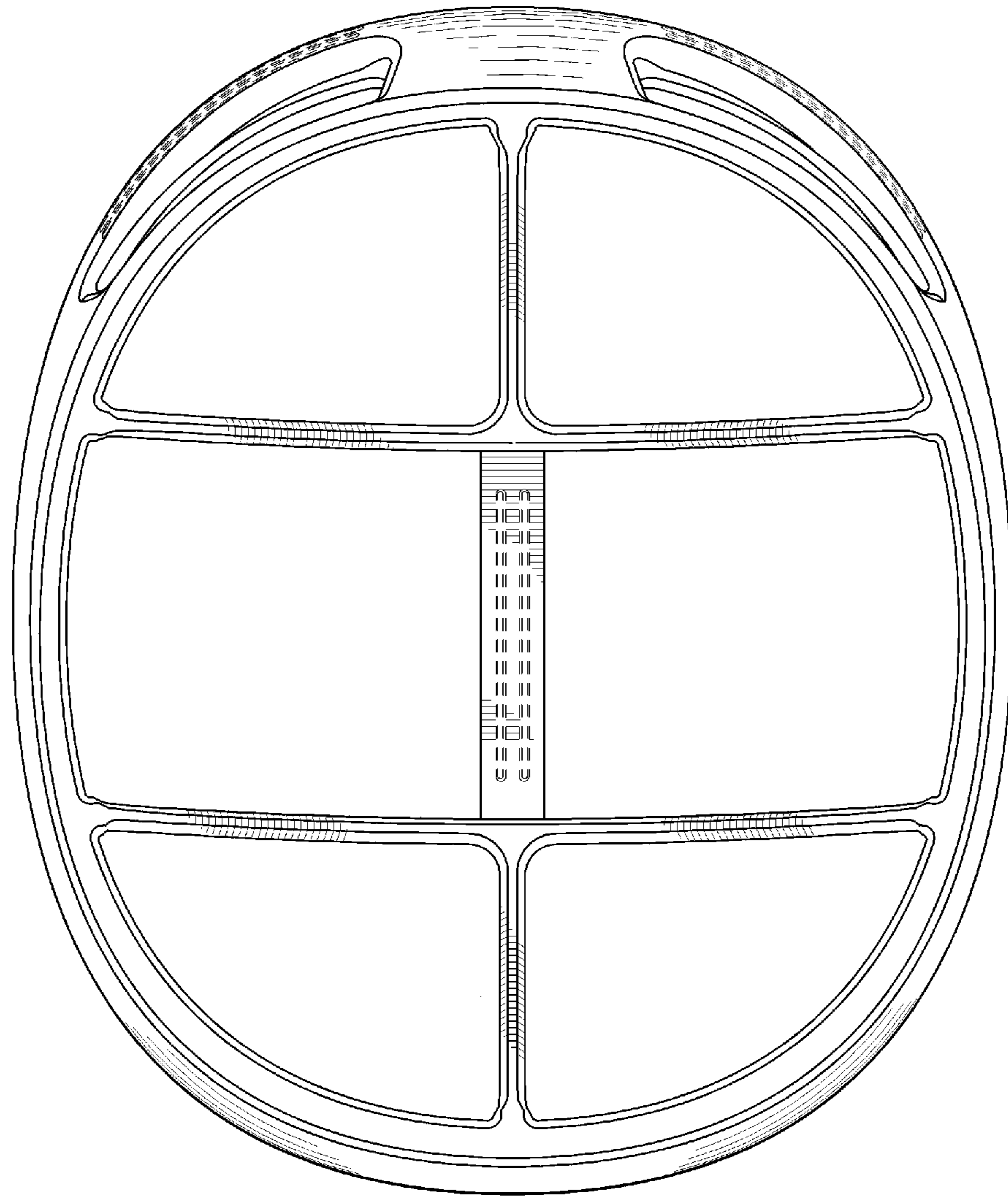
*Fig. 1*



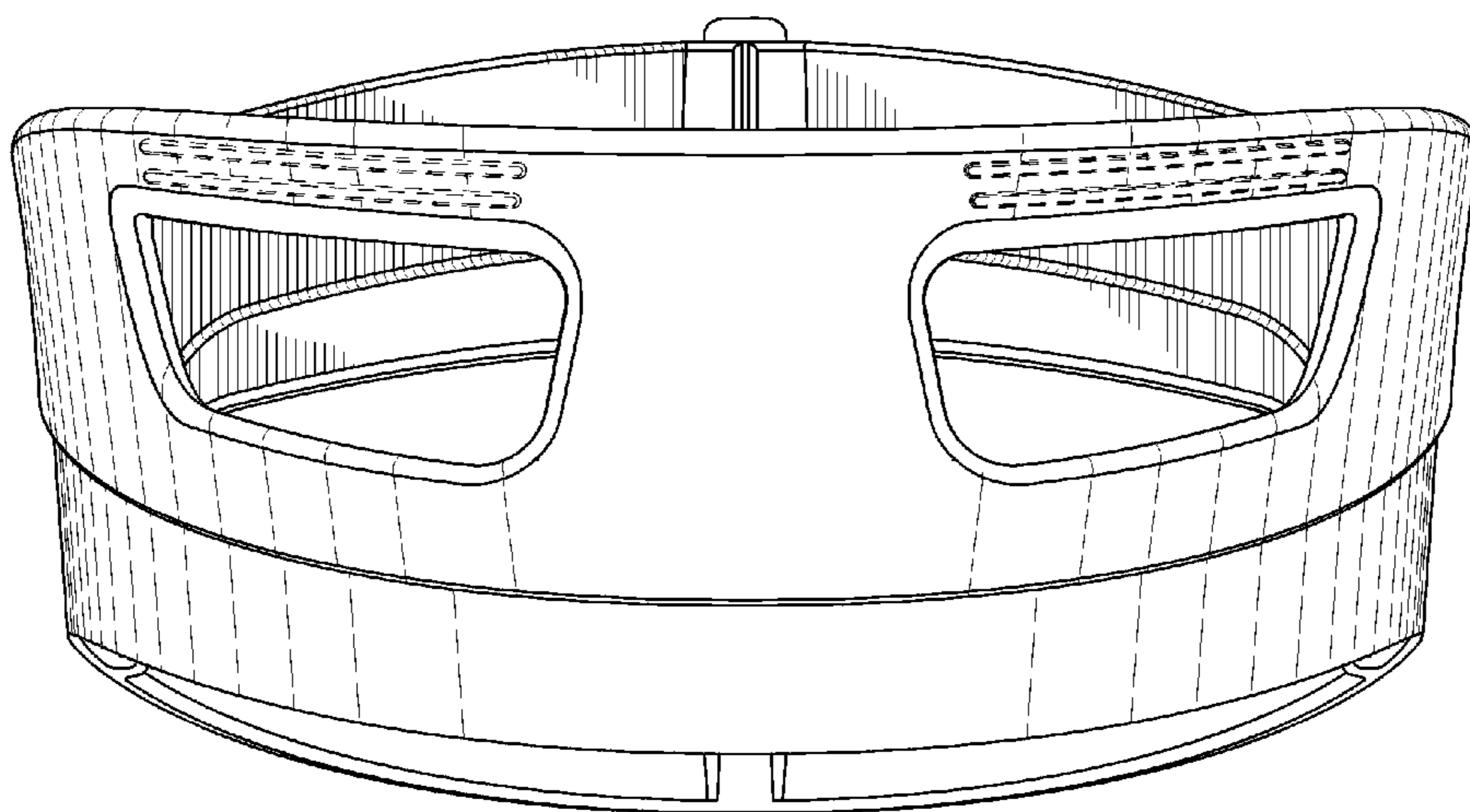
*Fig. 2*



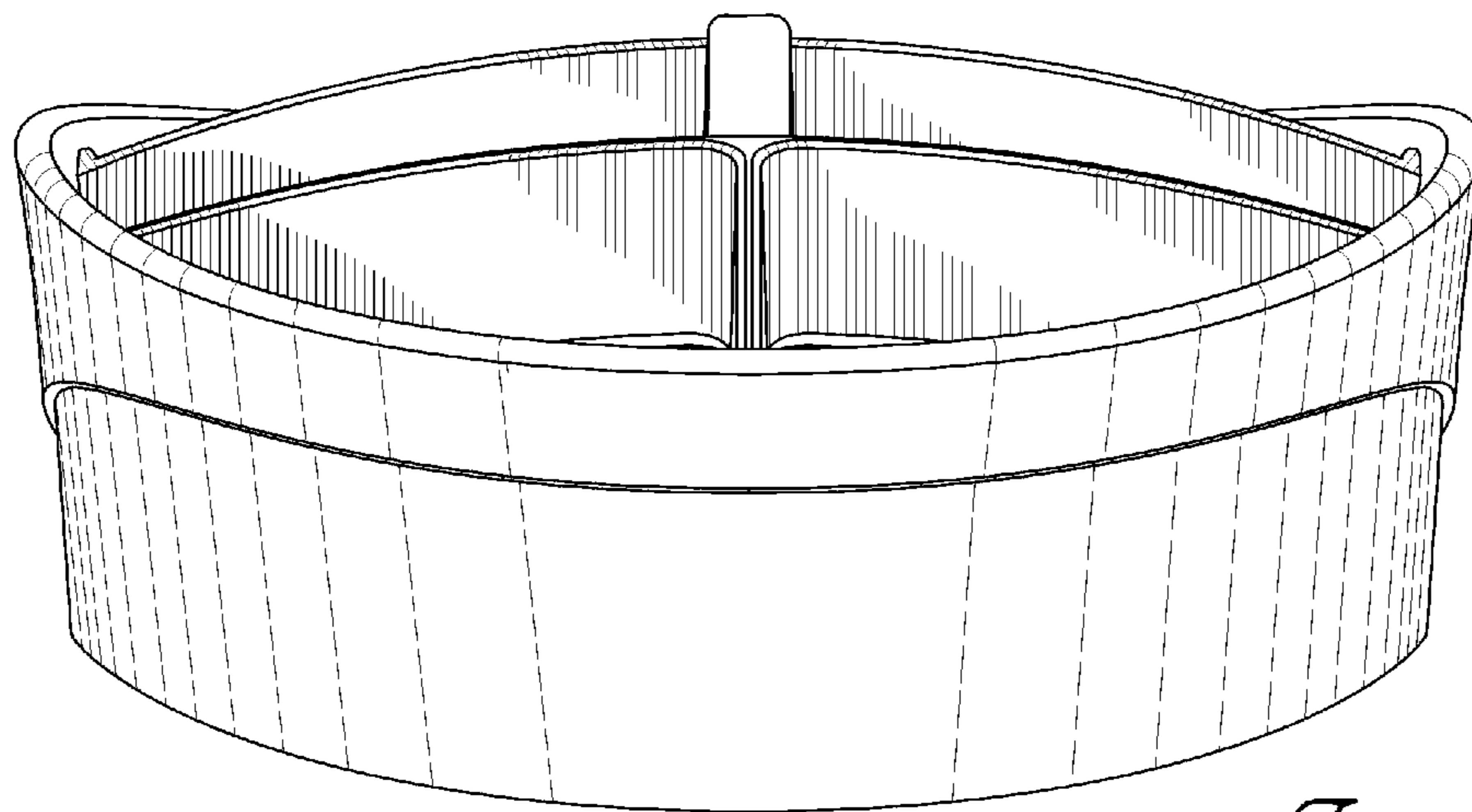
*Fig. 3*



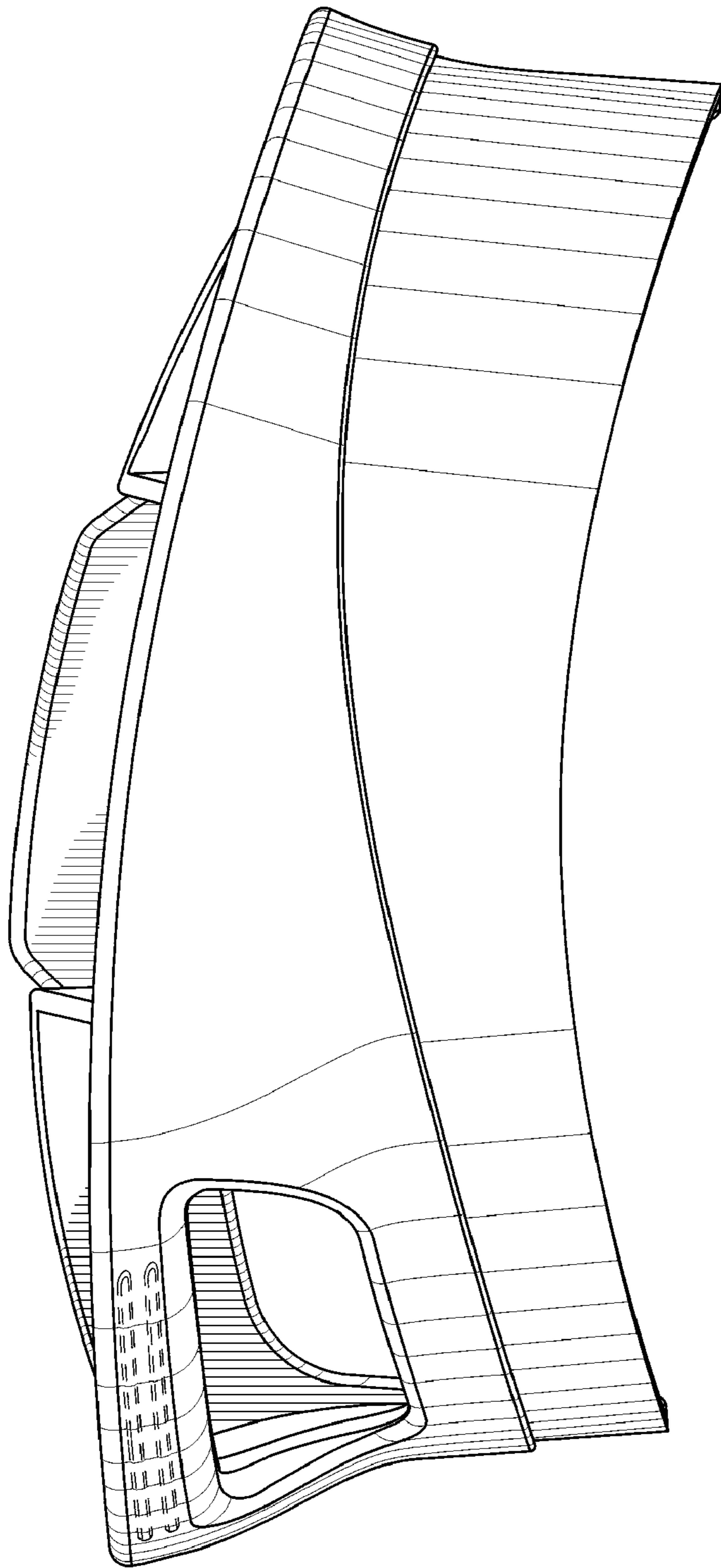
*Fig. 4*



*Fig. 5*

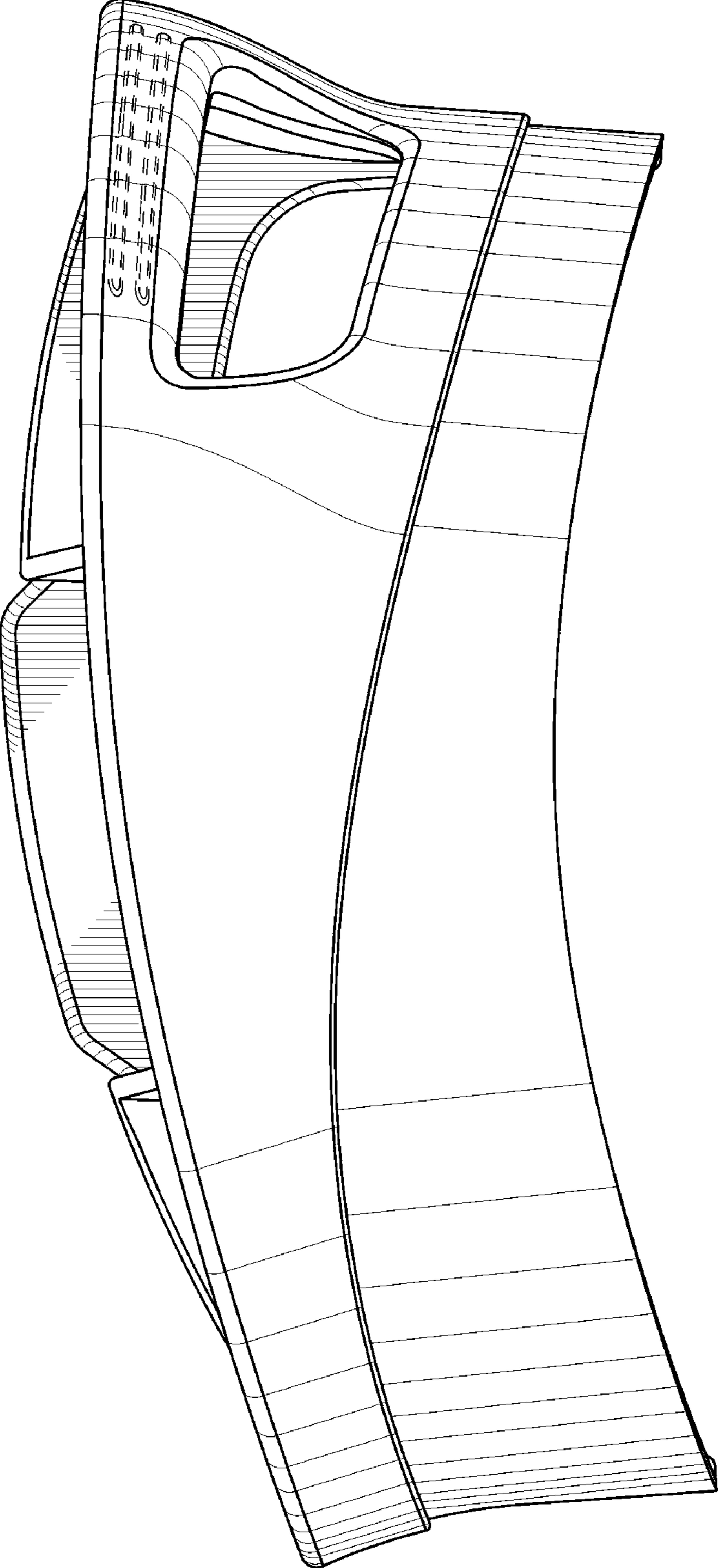


*Fig. 6*



*Fig. 7*





*Fig. 8*