



US00D669260S

(12) **United States Design Patent**
Davidson

(10) **Patent No.:** **US D669,260 S**
(45) **Date of Patent:** **** Oct. 23, 2012**

(54) **CONCEALABLE BEVERAGE CONTAINER**

(76) Inventor: **Guy P. Davidson**, Savannah, GA (US)

(**) Term: **14 Years**

(21) Appl. No.: **29/381,461**

(22) Filed: **Dec. 20, 2010**

(51) **LOC (9) Cl.** **03-01**

(52) **U.S. Cl.** **D3/229**

(58) **Field of Classification Search** D3/229,
D3/202, 201, 215; 224/148.2, 148.4, 148.6,
224/901.8; 222/105, 175; 383/66, 13, 37,
383/97, 110; D7/607-608, 619.1, 619.2,
D7/602, 605; 206/547; D24/118, 108; 604/332
See application file for complete search history.

D547,545 S * 7/2007 Boehm et al. D3/202
D628,793 S * 12/2010 Furlough D3/229
D648,934 S * 11/2011 Ferreiro D3/229
2005/0218154 A1 10/2005 Selby

FOREIGN PATENT DOCUMENTS

GB 2215211 2/1988
GB 2193485 9/1989

* cited by examiner

Primary Examiner — Catheri Oliver-Garcia

(74) *Attorney, Agent, or Firm* — Brian J. Teague

(57) **CLAIM**

I claim the ornamental design for a concealable beverage container, as shown and described.

DESCRIPTION

FIG. 1 is a perspective view of one embodiment of a concealable beverage container as worn by a user showing the new design.

FIG. 2 is a perspective view of the concealable beverage container shown in FIG. 1;

FIG. 3 is a front elevational view thereof.

FIG. 4 is a rear elevational view thereof.

FIG. 5 is a top view thereof.

FIG. 6 is a bottom view thereof.

FIG. 7 is a left side view thereof. The right side view is a mirror image.

FIG. 8 is a perspective view of an alternative embodiment of a concealable beverage container as worn by a user.

FIG. 9 is a perspective view of an alternate embodiment of a concealable beverage container shown in FIG. 8;

FIG. 10 is a front elevational view thereof.

FIG. 11 is a rear elevational view thereof.

FIG. 12 is a top view thereof.

FIG. 13 is a bottom view thereof.

FIG. 14 is a left side view thereof. The right side view is a mirror image.

FIG. 15 is a perspective view of an alternative embodiment of a concealable beverage container as worn by a user.

FIG. 16 is a perspective view of an alternative embodiment of a concealable beverage container shown in FIG. 15;

FIG. 17 is a front elevational view thereof.

(56) **References Cited**

U.S. PATENT DOCUMENTS

3,897,785	A	8/1975	Barto, Jr.	
4,403,991	A	9/1983	Hill	
4,421,509	A	12/1983	Schneider et al.	
4,661,100	A	4/1987	Rechsteiner	
4,997,083	A	3/1991	Loretti et al.	
5,437,389	A	8/1995	Kaufman et al.	
5,496,300	A	3/1996	Hirsch et al.	
5,549,587	A	8/1996	Norton	
5,616,138	A	4/1997	Propp	
5,645,205	A *	7/1997	Kennedy	224/676
5,722,965	A	3/1998	Kuczynski	
5,776,120	A	7/1998	Shelley et al.	
6,050,444	A	4/2000	Sugg	
6,050,983	A	4/2000	Moore et al.	
6,110,156	A	8/2000	Mendonca	
6,186,990	B1	2/2001	Chen et al.	
D440,761	S *	4/2001	Williams et al.	D3/224
D441,189	S *	5/2001	Vazquez	D3/226
6,250,506	B1	6/2001	Geiger et al.	
6,491,673	B1	12/2002	Palumbo et al.	
6,589,221	B1	7/2003	Olsen et al.	
6,598,770	B2	7/2003	Bolts	
6,652,144	B2	11/2003	Stefandl	
6,685,684	B1	2/2004	Falconer	
D487,313	S	3/2004	Mazzella	
6,709,420	B1	3/2004	Lincoln et al.	
6,722,533	B2	4/2004	Skillern	
6,780,172	B2	8/2004	Olsen et al.	

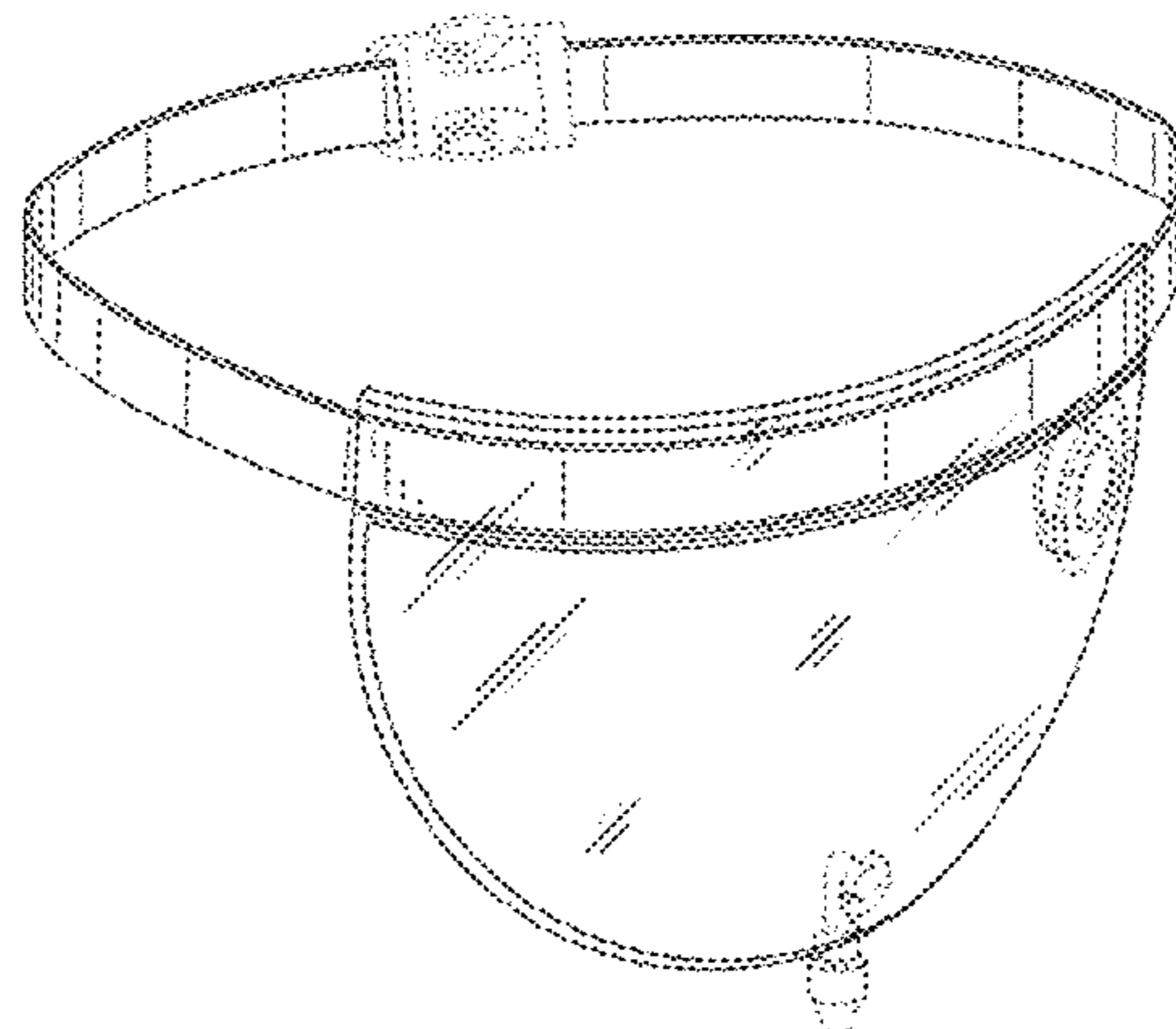


FIG. 18 is a rear elevational view thereof.
FIG. 19 is a top view thereof.
FIG. 20 is a bottom view thereof.
FIG. 21 is a left side view thereof. The right side view is a mirror image.
FIG. 22 is a perspective view of an alternative embodiment of a concealable beverage container as worn by a user.
FIG. 23 is a perspective view of an alternative embodiment of a concealable beverage container shown in FIG. 22;
FIG. 24 is a front elevational view thereof.
FIG. 25 is a rear elevational view thereof.
FIG. 26 is a top view thereof.
FIG. 27 is a bottom view thereof.
FIG. 28 is a left side view thereof. The right side view is a mirror image.
FIG. 29 is a perspective view of an alternative embodiment of a concealable beverage container as worn by a user.
FIG. 30 is a perspective view of an alternative embodiment of a concealable beverage container shown in FIG. 29;

FIG. 31 is a front elevational view thereof.
FIG. 32 is a rear elevational view thereof.
FIG. 33 is a top view thereof.
FIG. 34 is a bottom view thereof.
FIG. 35 is a left side view thereof. The right side view is a mirror image.
FIG. 36 is a perspective view of an alternative embodiment of a concealable beverage container as worn by a user.
FIG. 37 is a perspective view of an alternative embodiment of a concealable beverage container shown in FIG. 36;
FIG. 38 is a front elevational view thereof.
FIG. 39 is a rear elevational view thereof.
FIG. 40 is a top view thereof.
FIG. 41 is a bottom view thereof; and,
FIG. 42 is a left side view thereof. The right side view is a mirror image.
Specific features shown in broken lines do not form any part of or otherwise limit the claimed design.

1 Claim, 36 Drawing Sheets

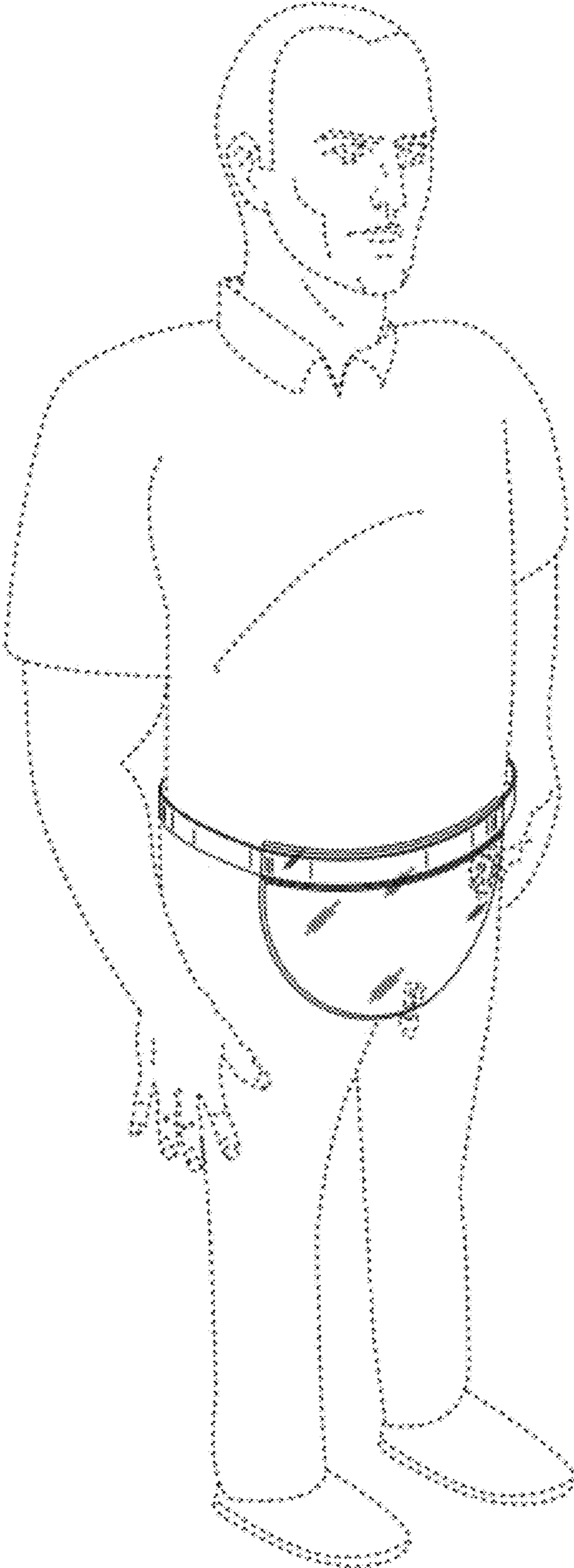


FIG. 1

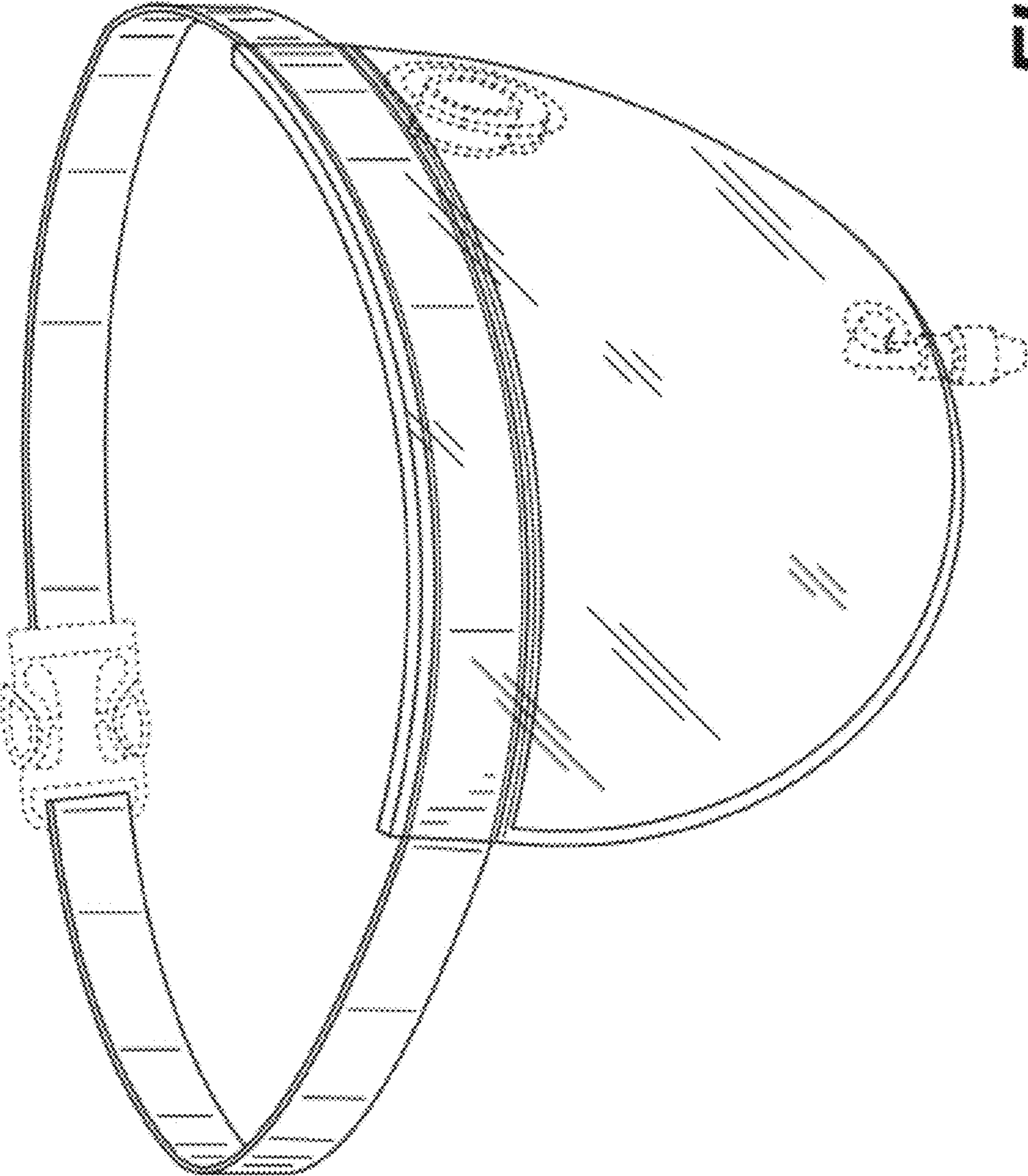


FIG. 2

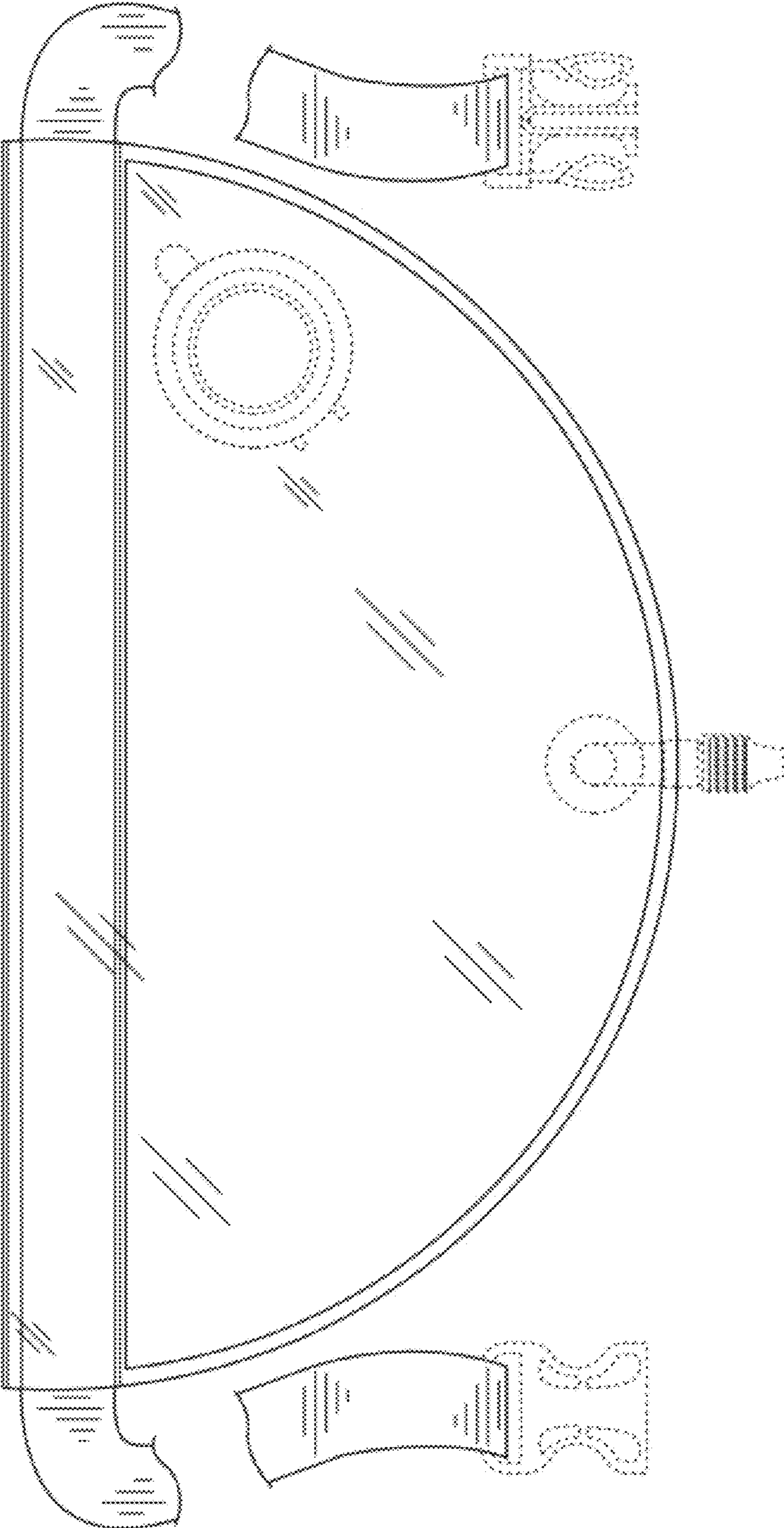


FIG. 3

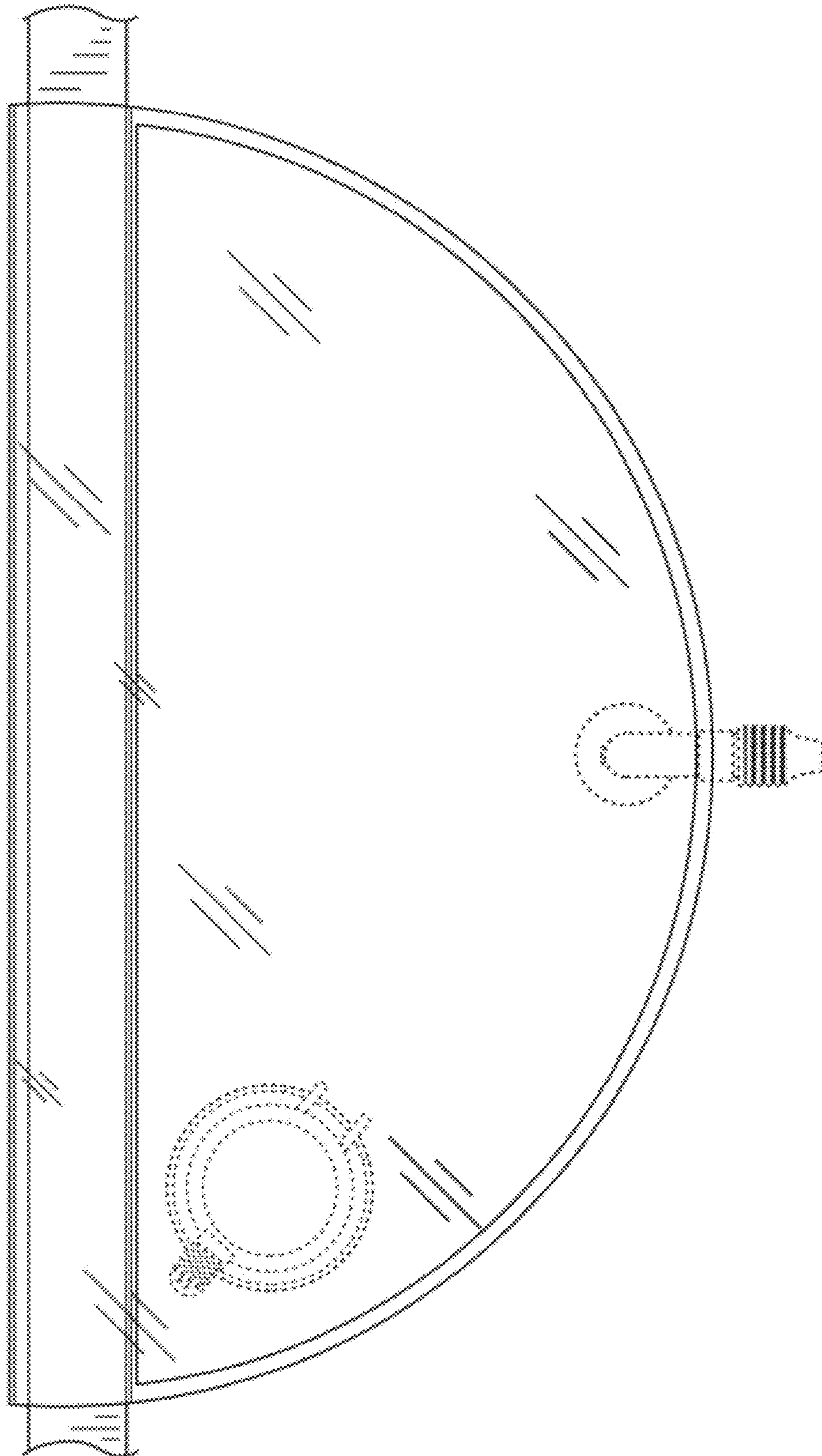


FIG. 4

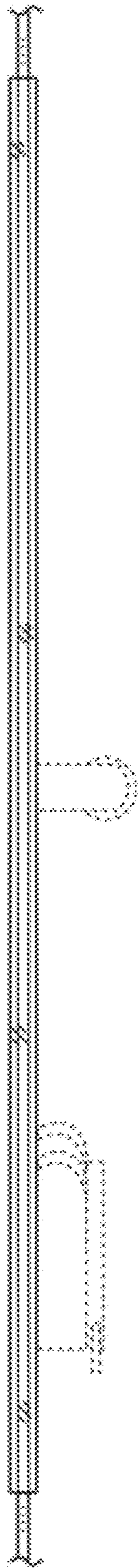


FIG. 5

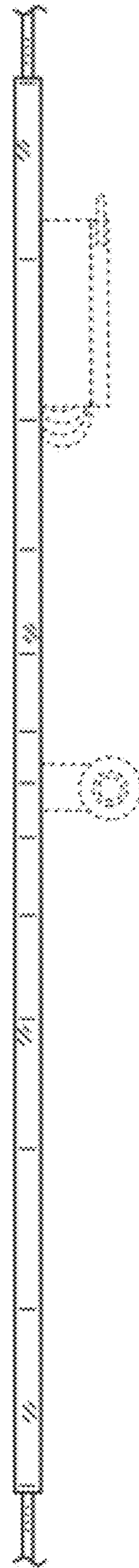


FIG. 6

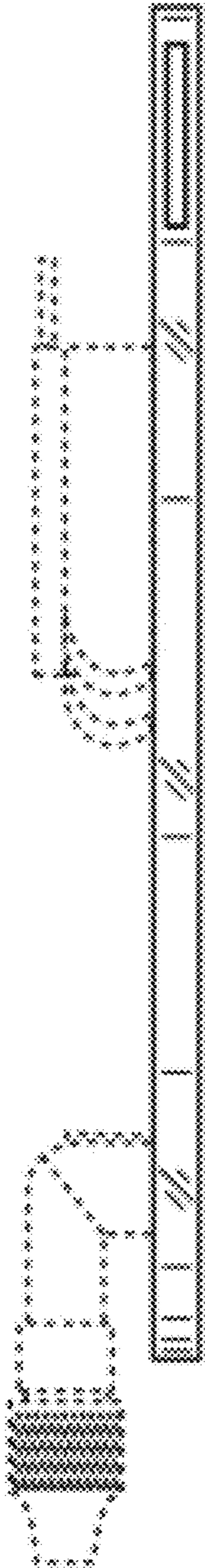


FIG. 7

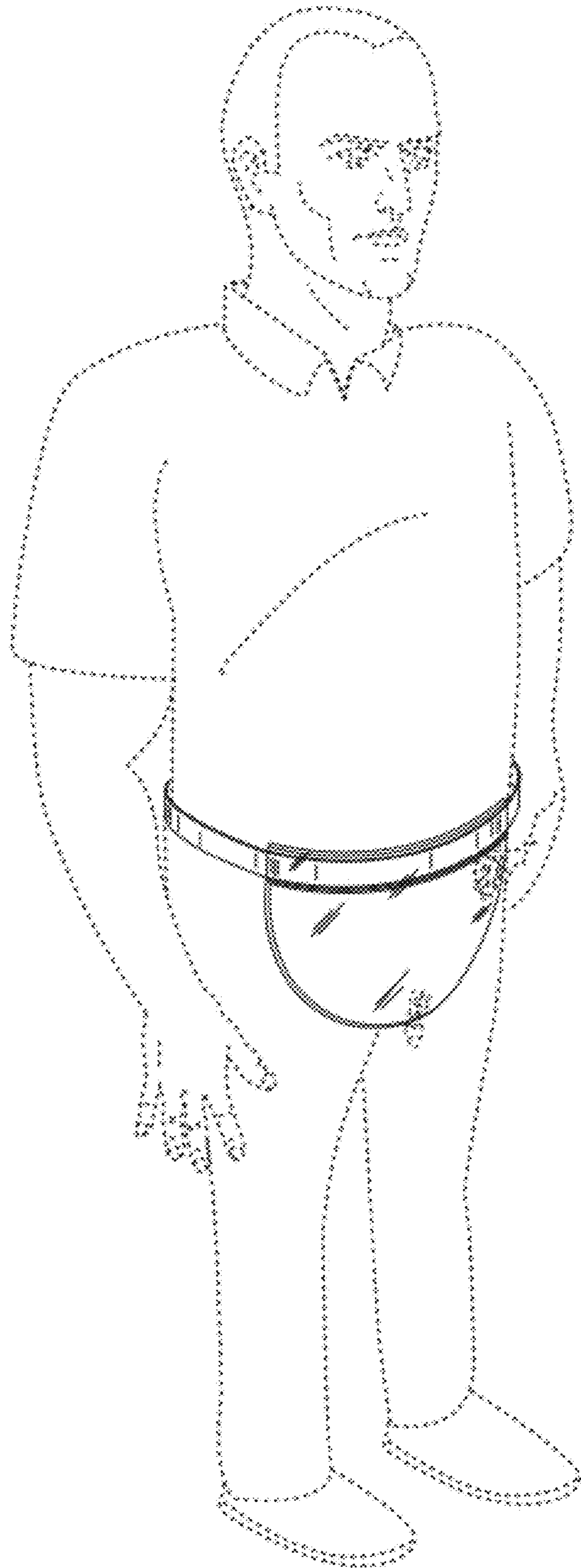


FIG. 8

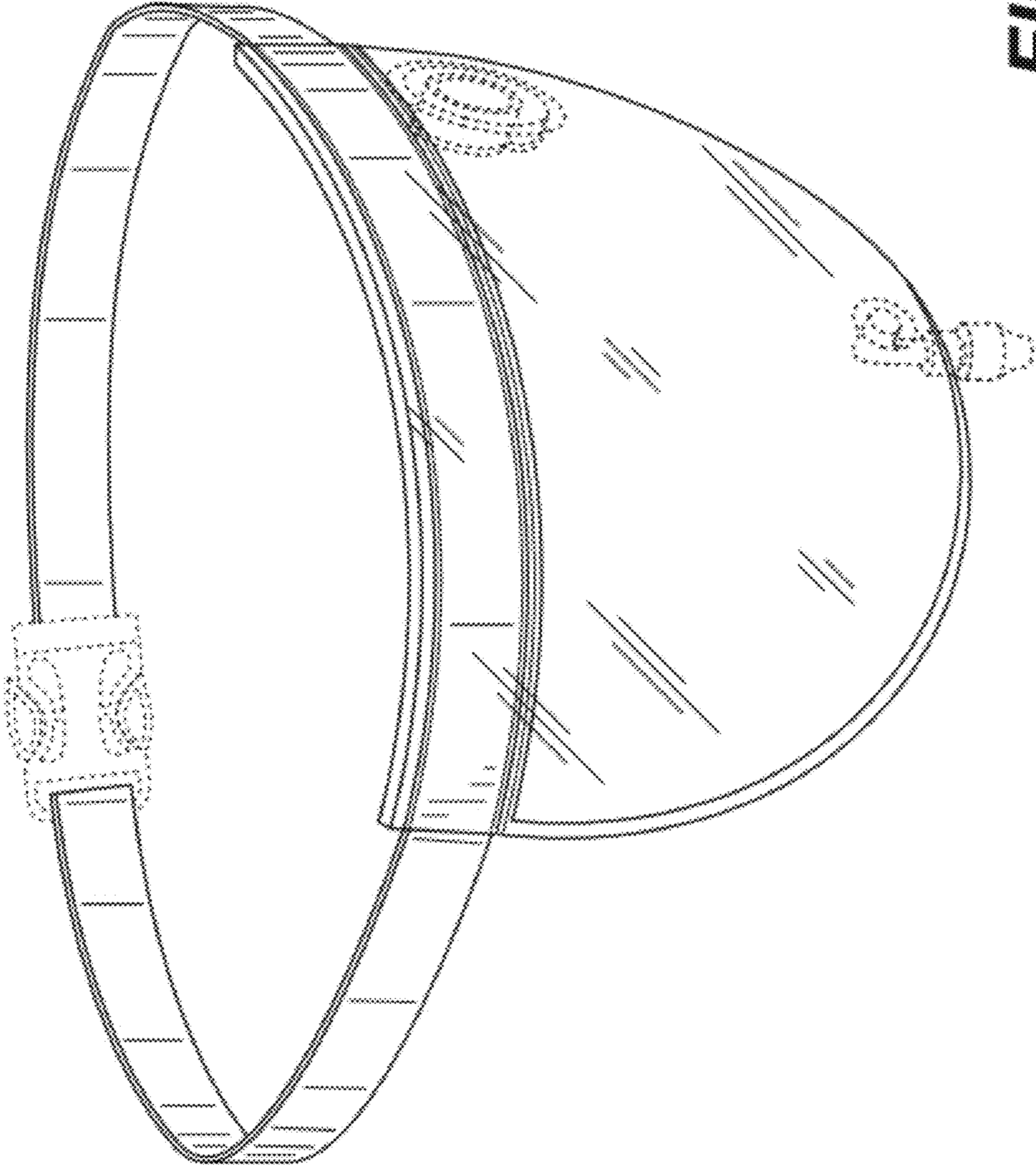


FIG. 9

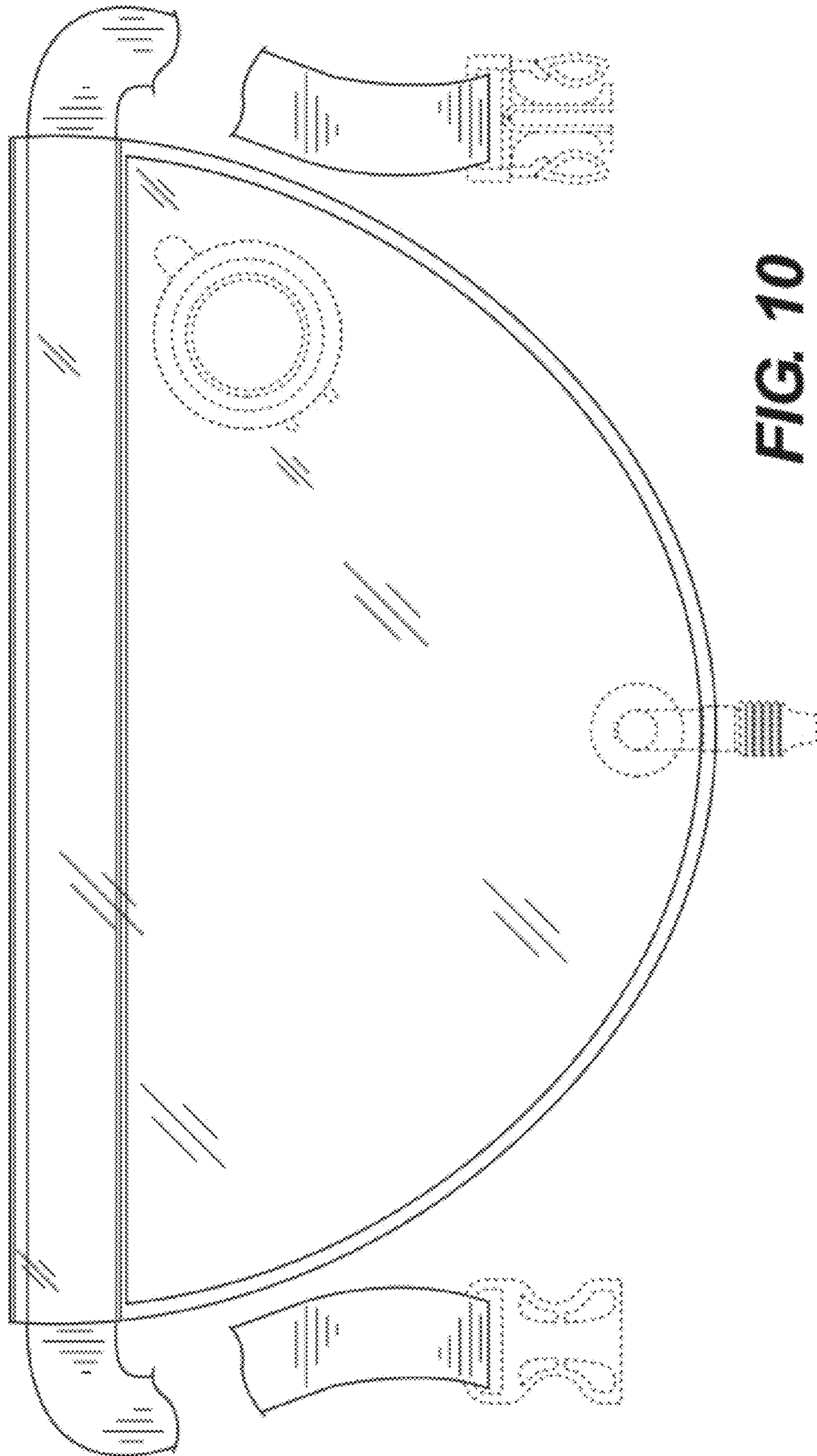


FIG. 10

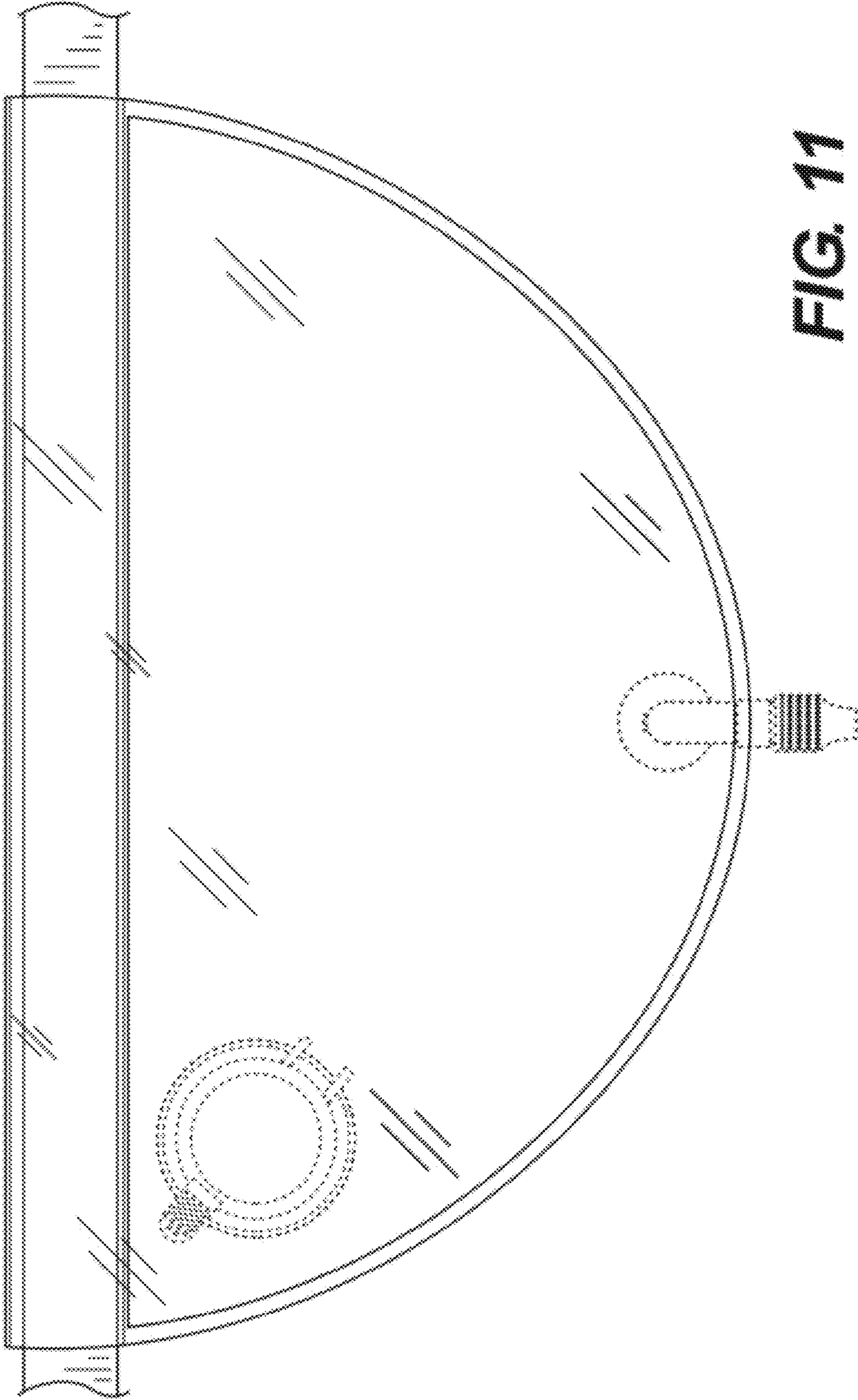


FIG. 11

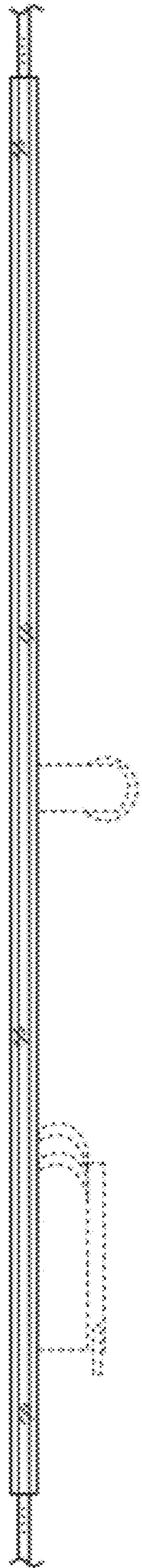


FIG. 12

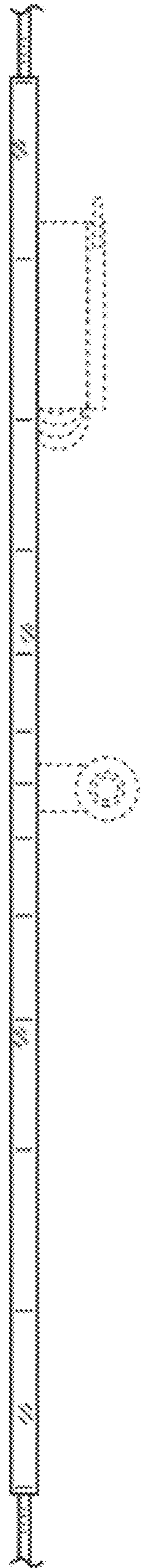


FIG. 13

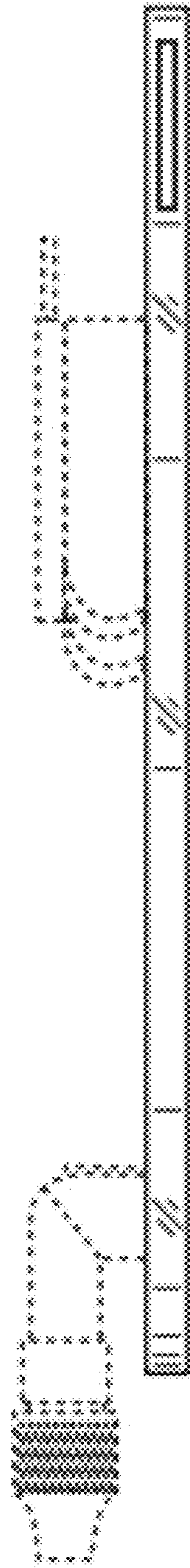


FIG. 14

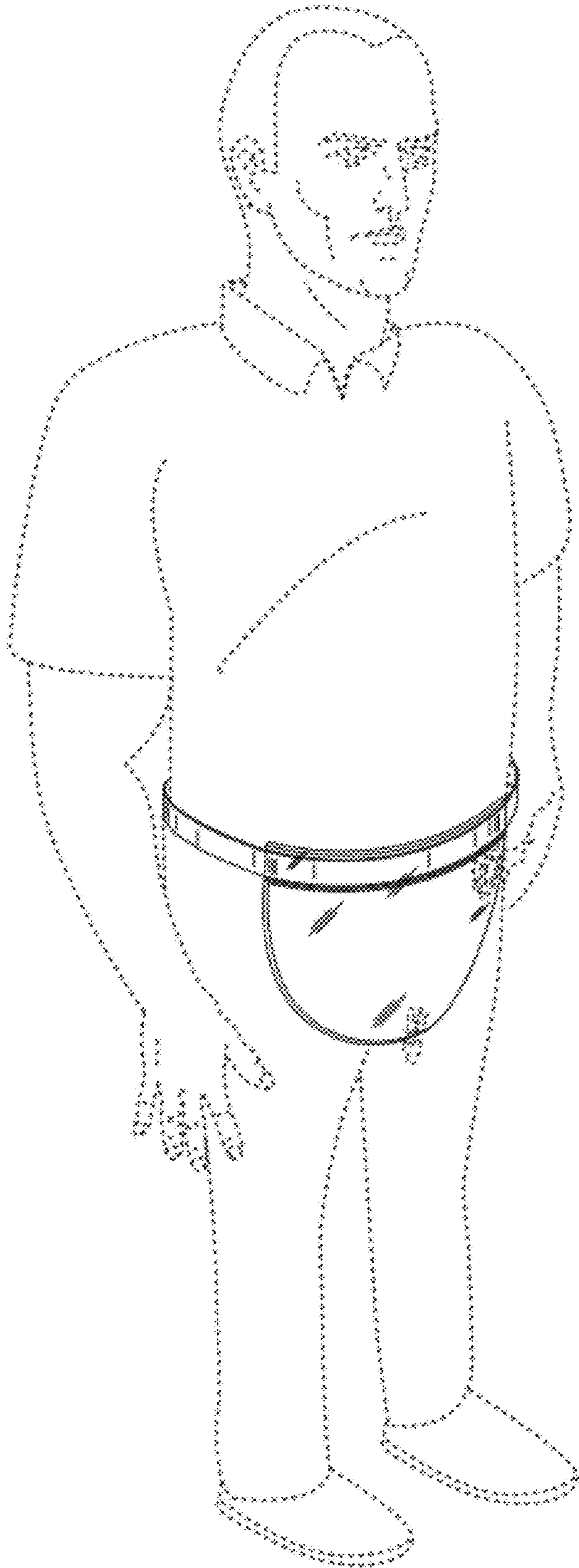


FIG. 15

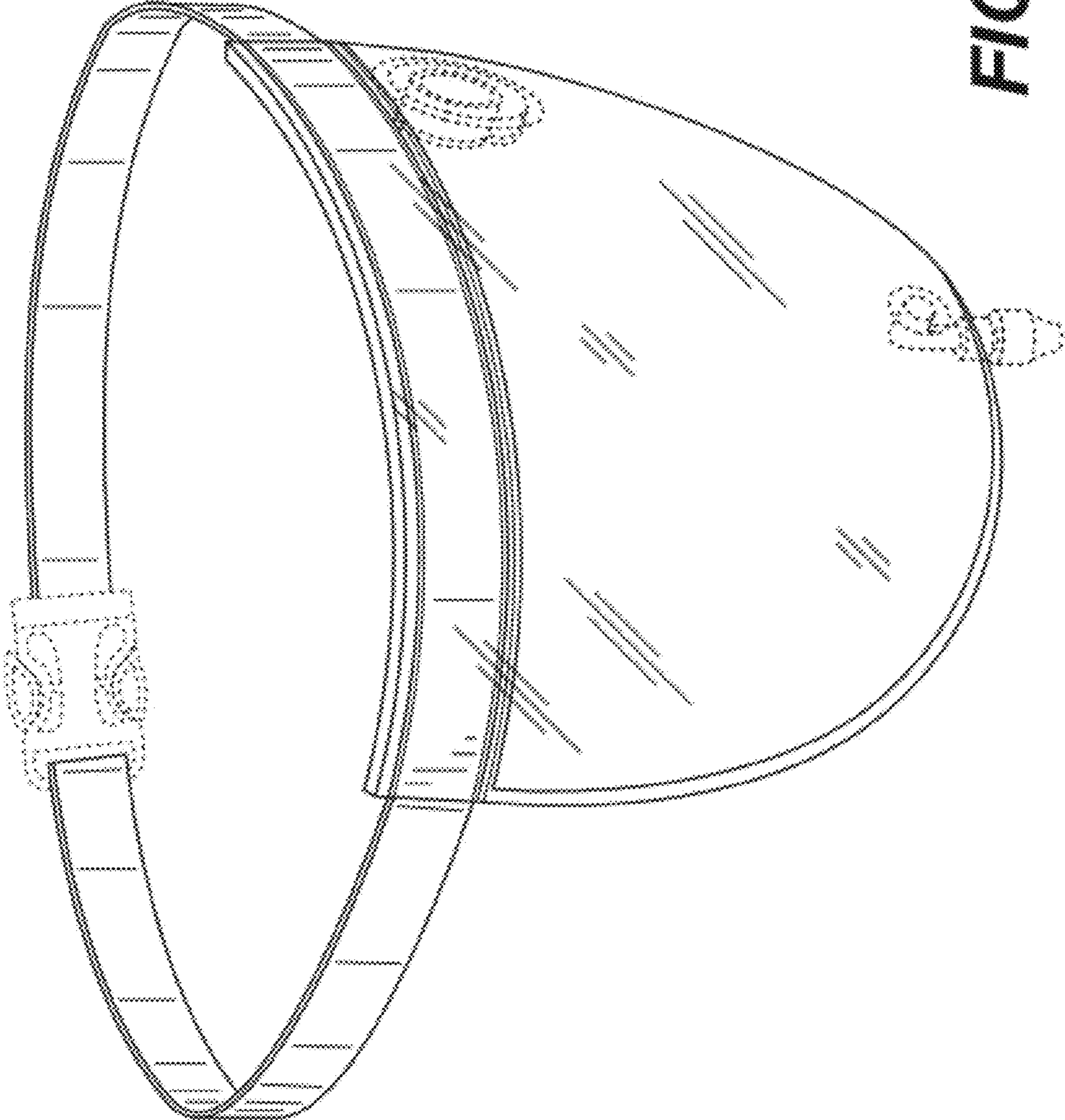


FIG. 16

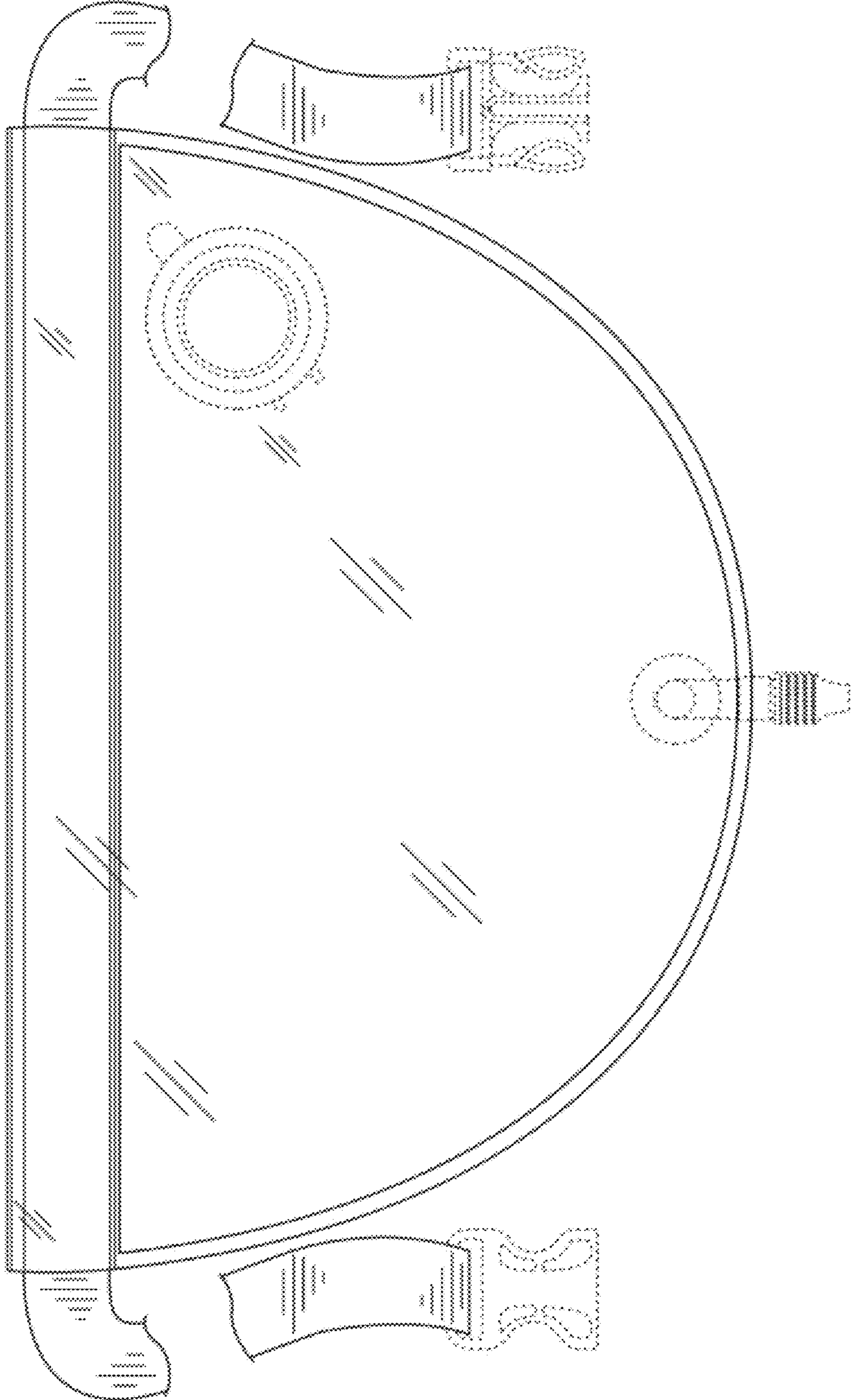


FIG. 17

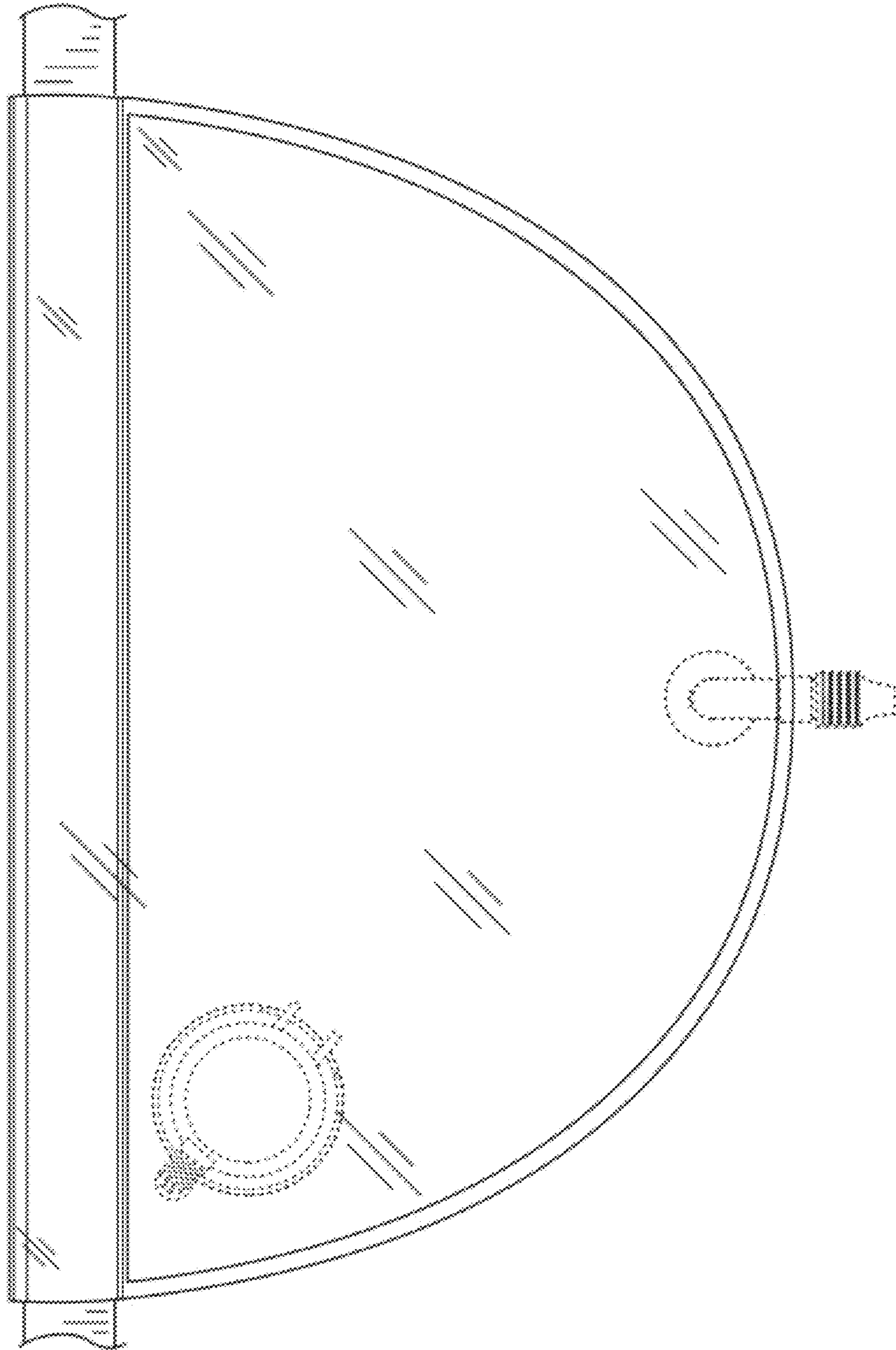


FIG. 18

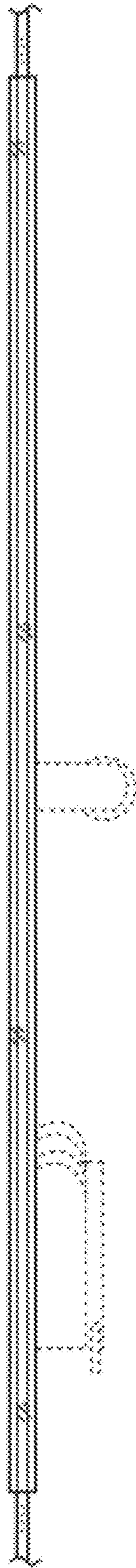


FIG. 19

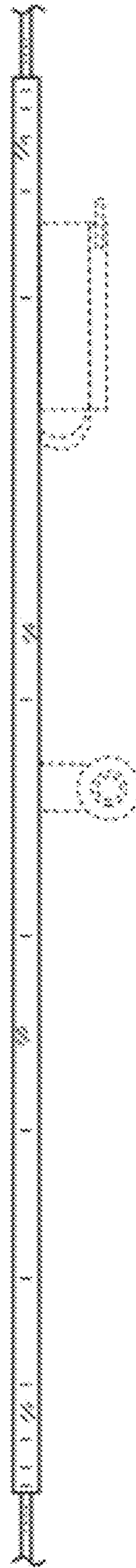


FIG. 20

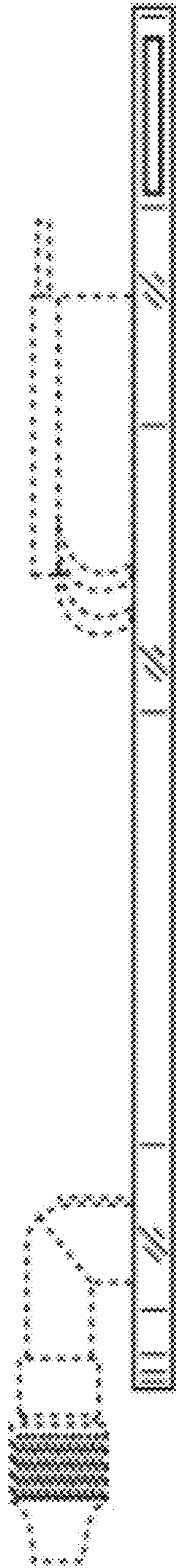


FIG. 21

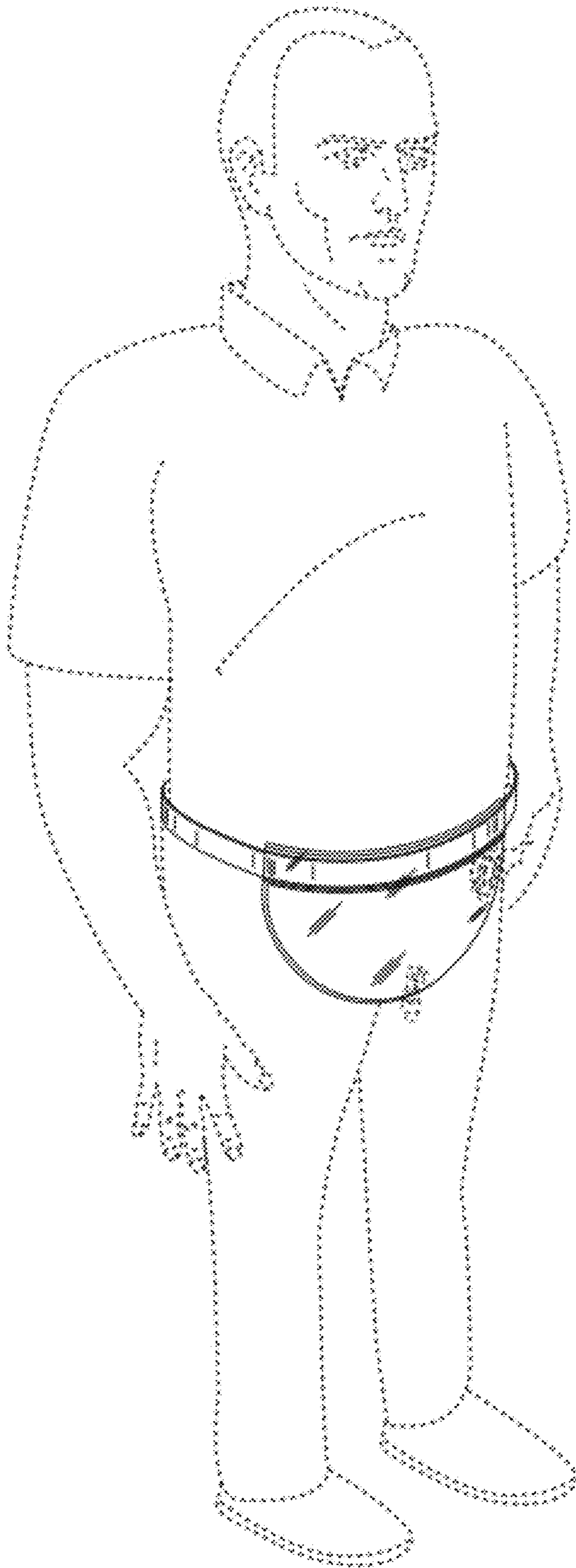


FIG. 22

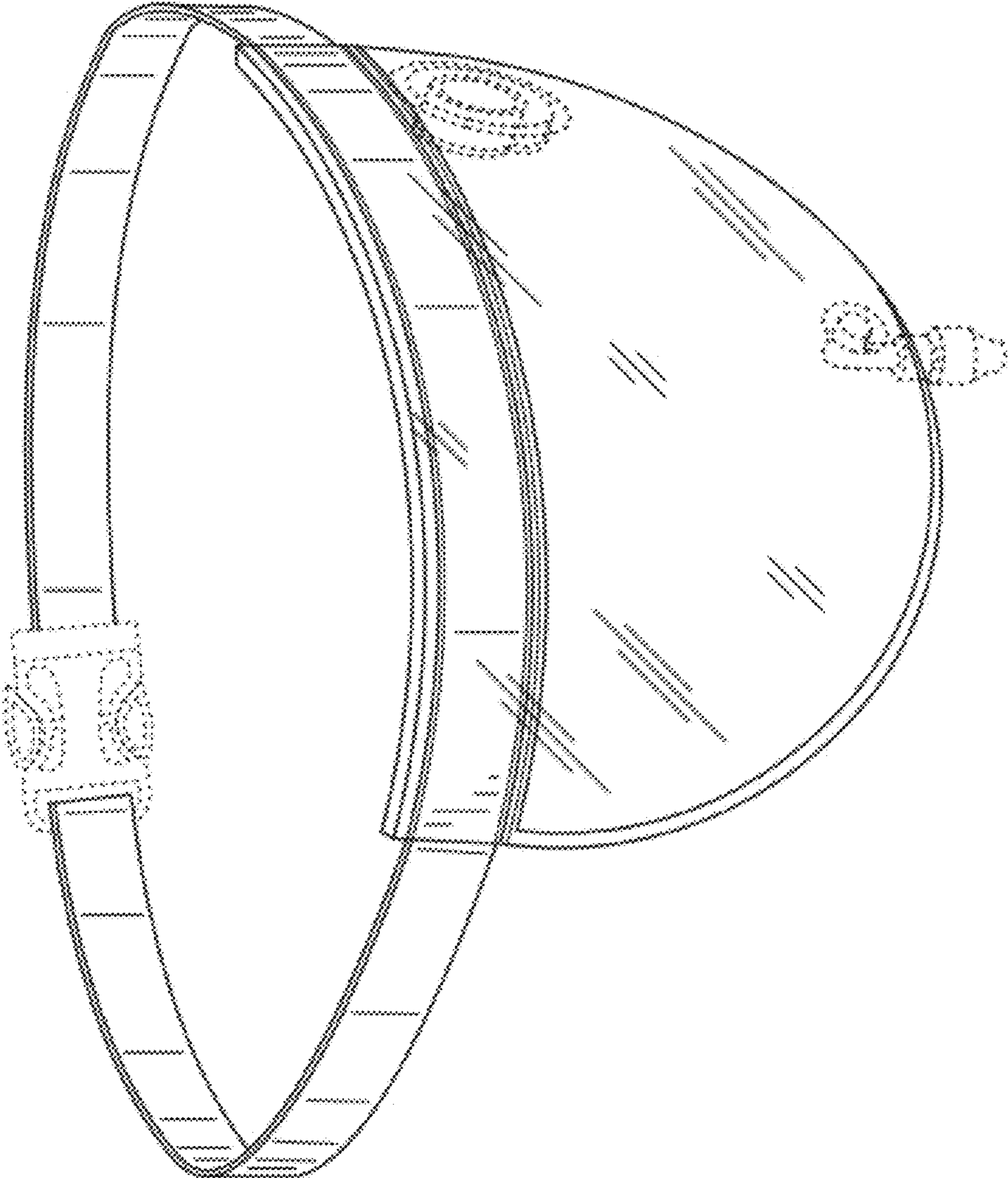


FIG. 23

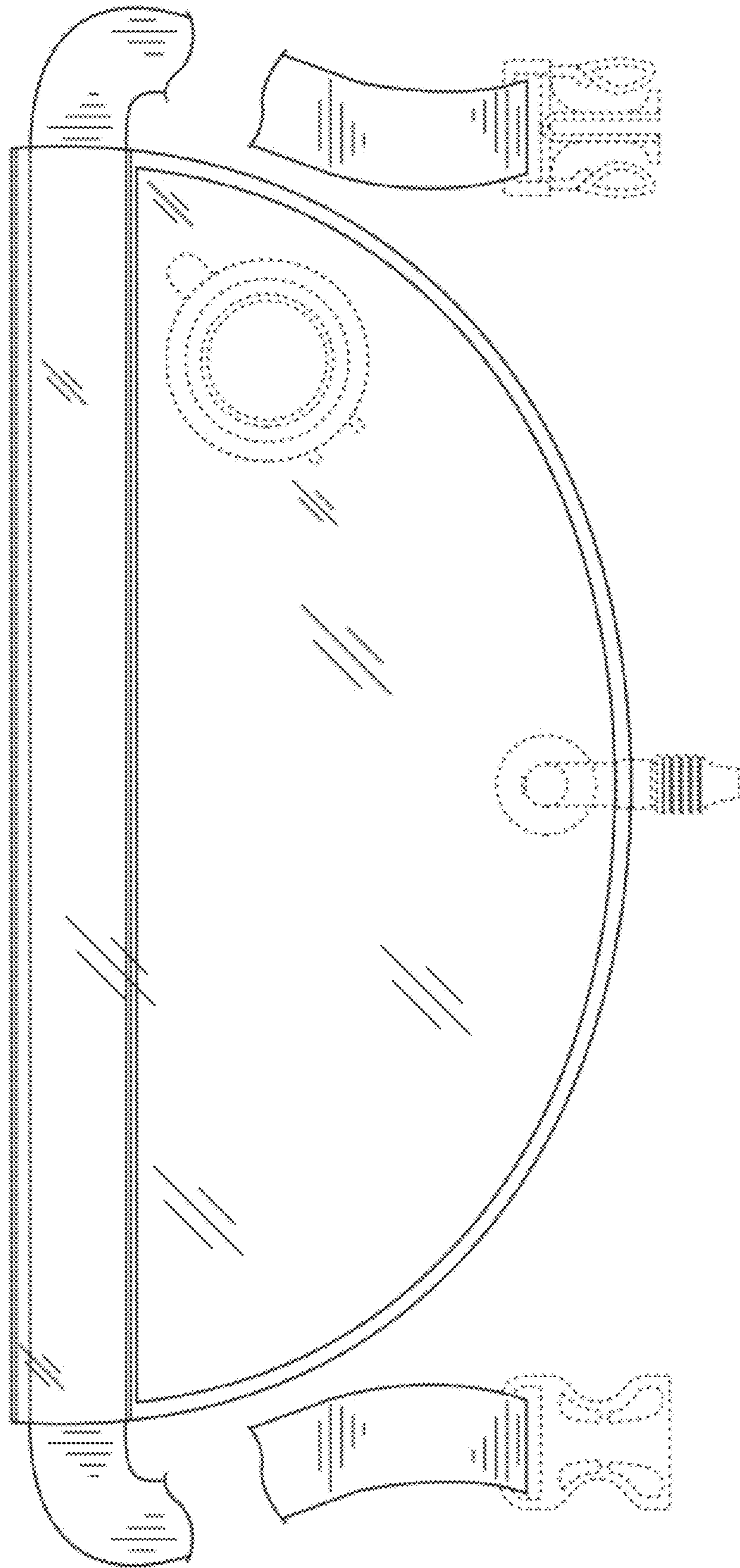


FIG. 24

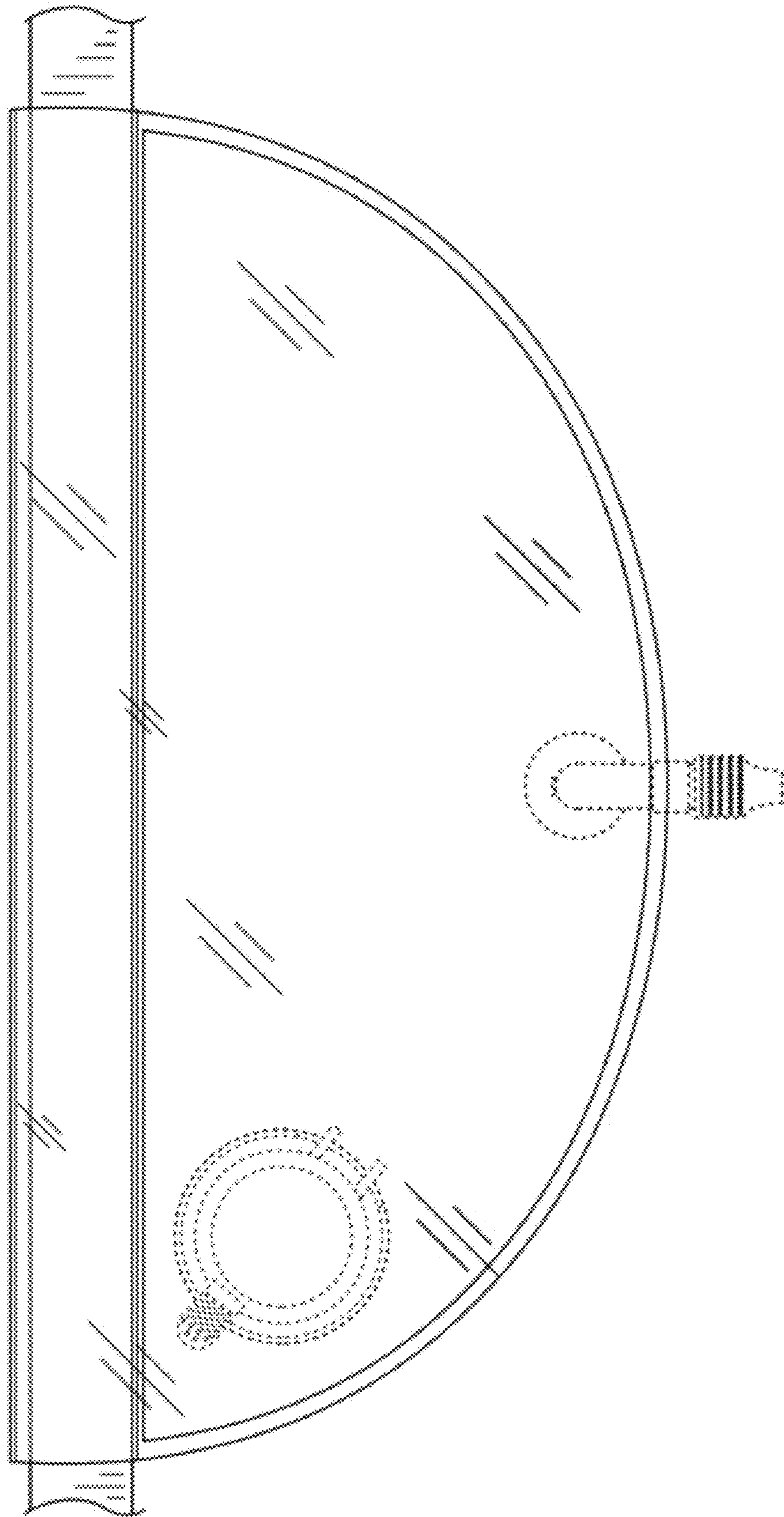


FIG. 25

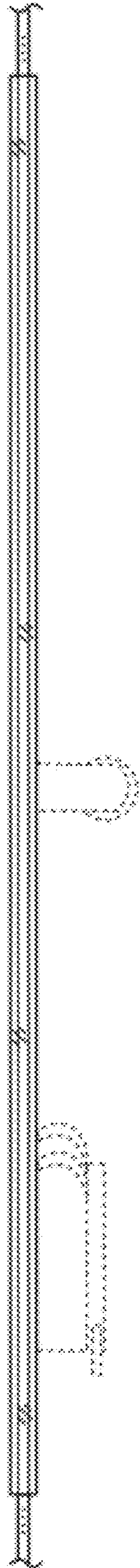


FIG. 26

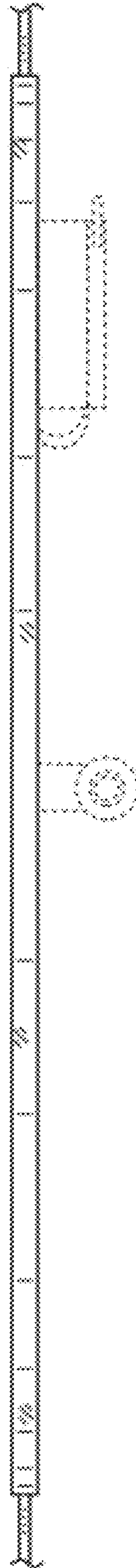


FIG. 27

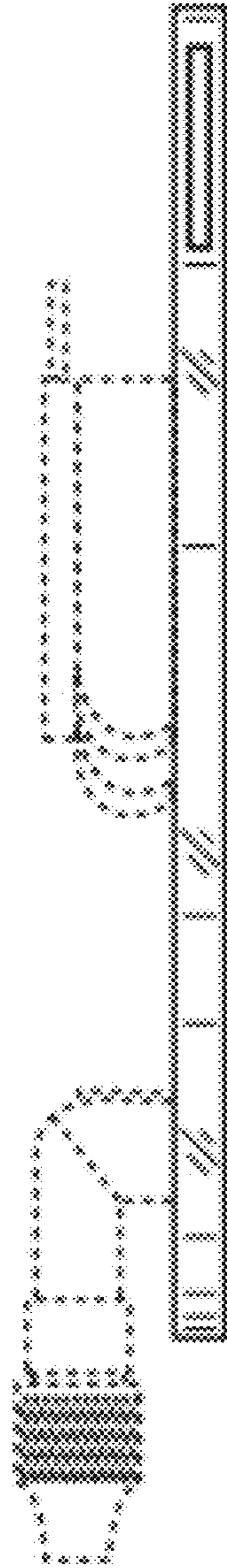


FIG. 28

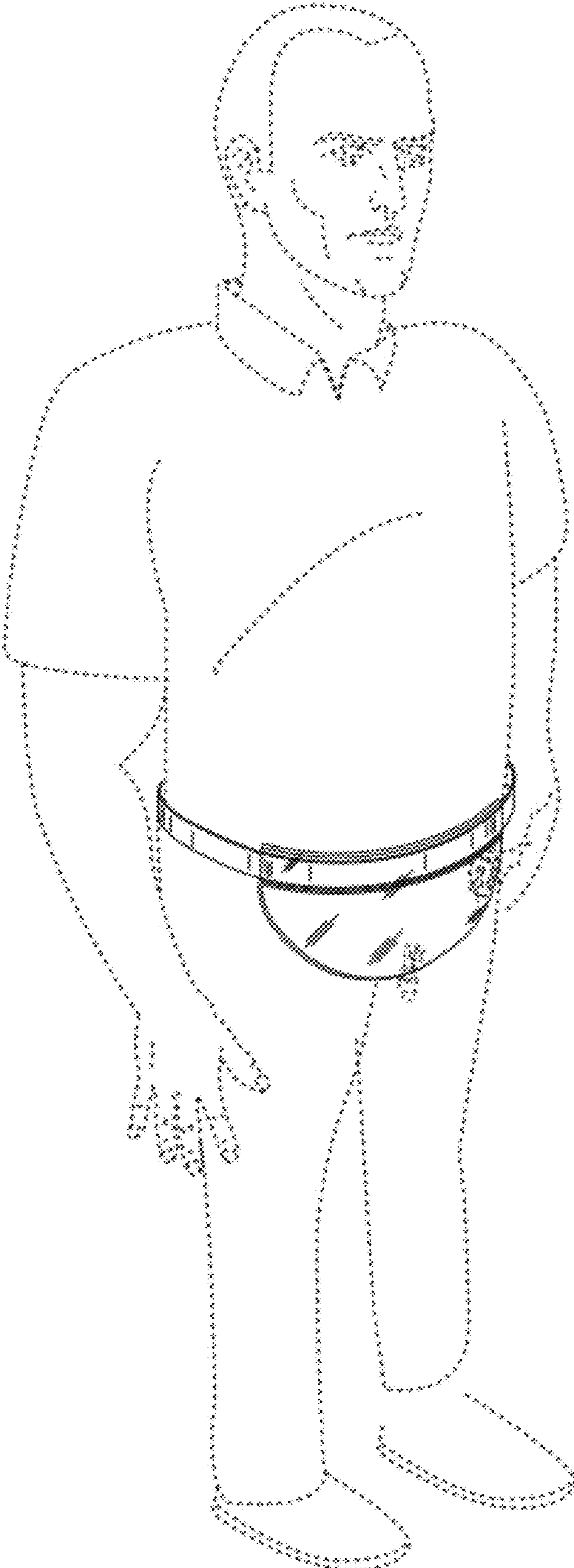


FIG. 29

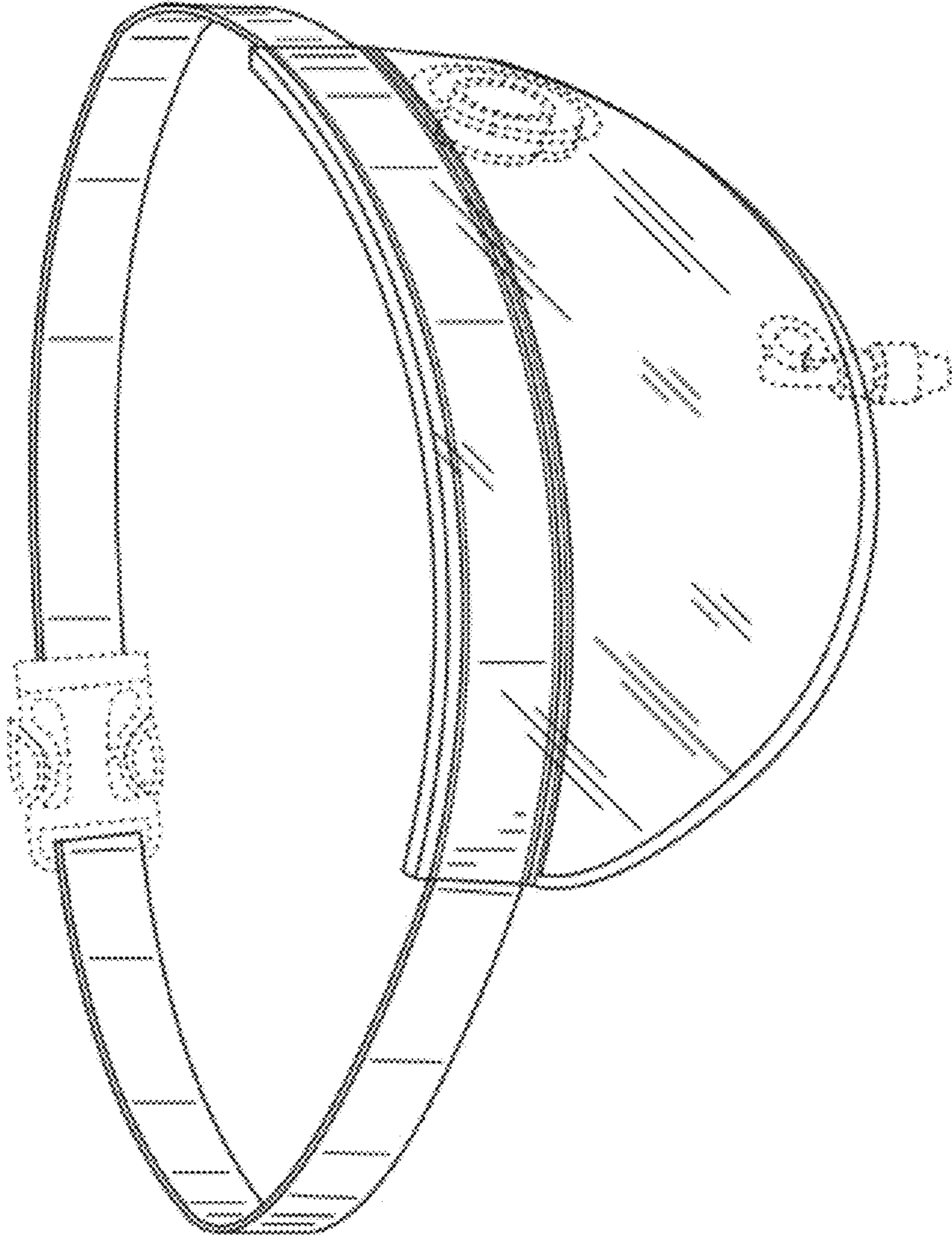


FIG. 30

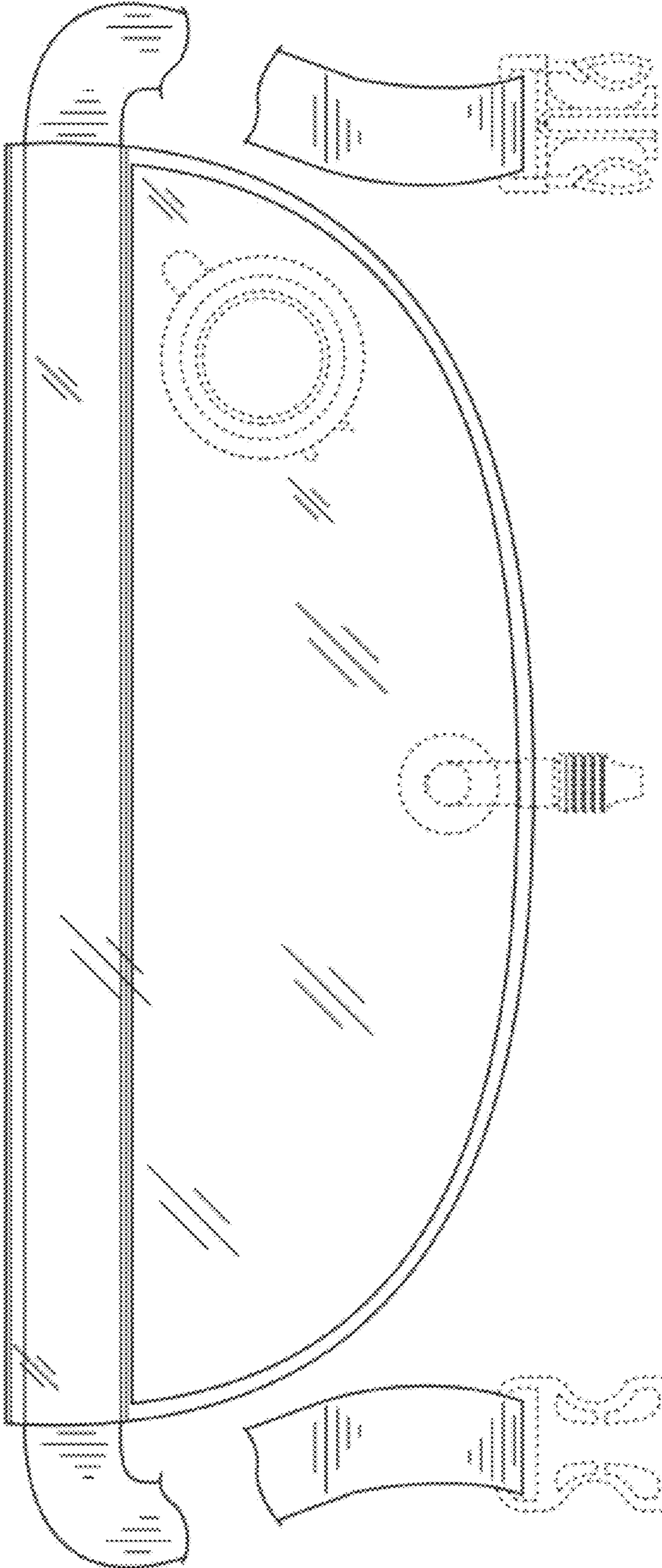


FIG. 31

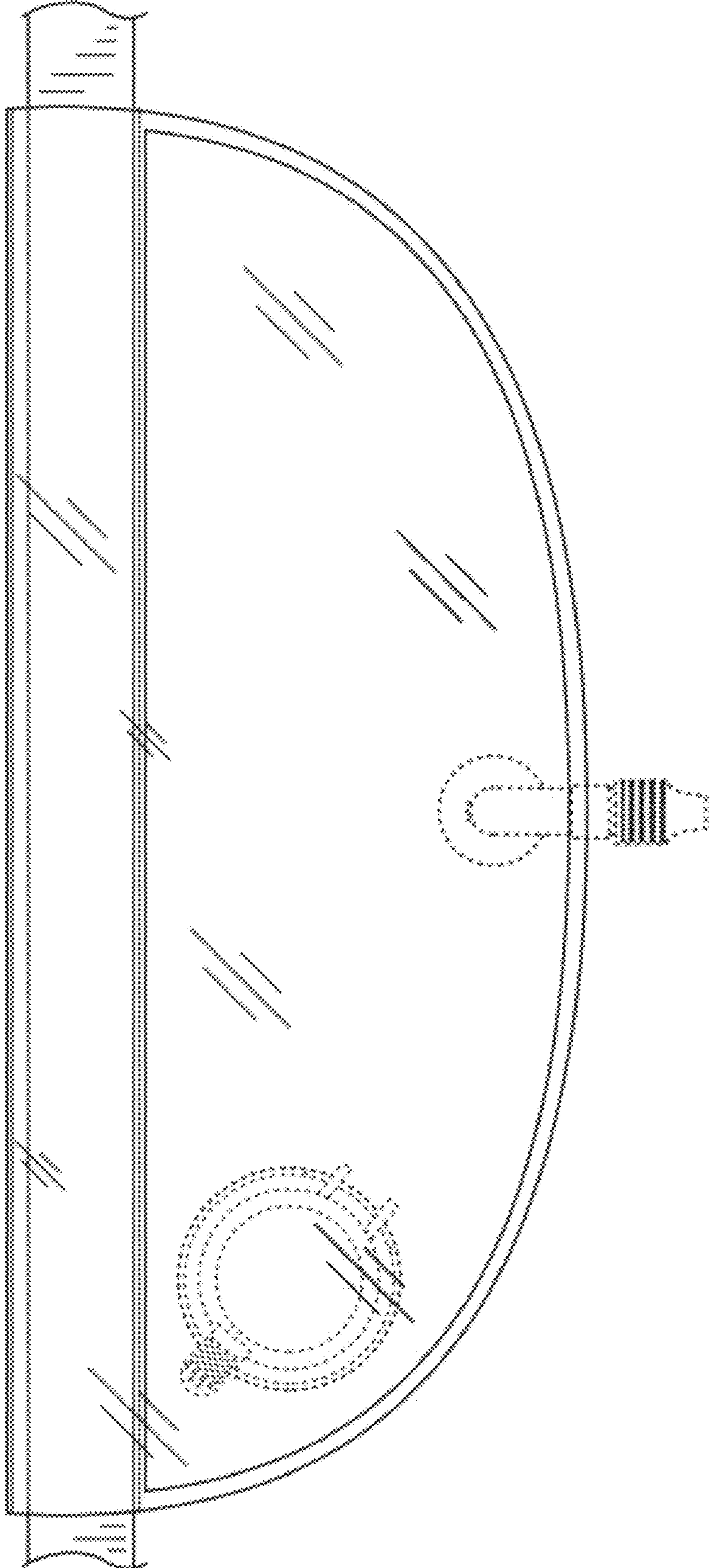


FIG. 32

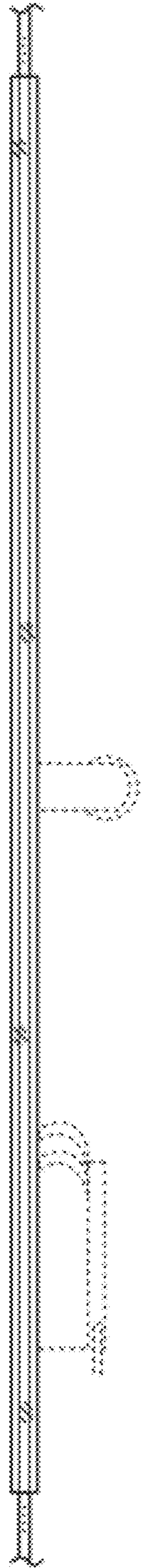


FIG. 33

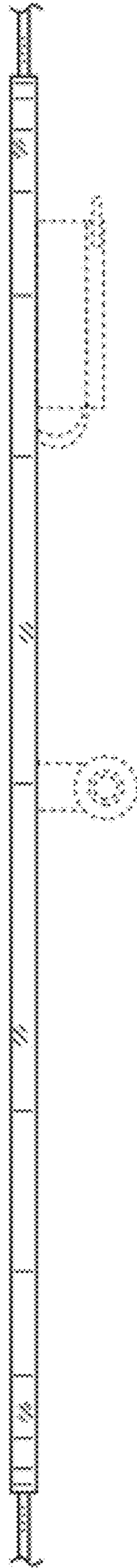


FIG. 34

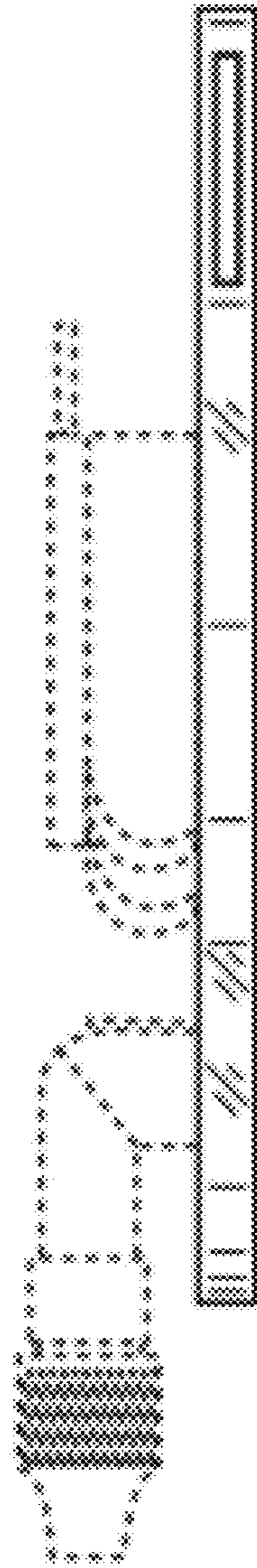


FIG. 35

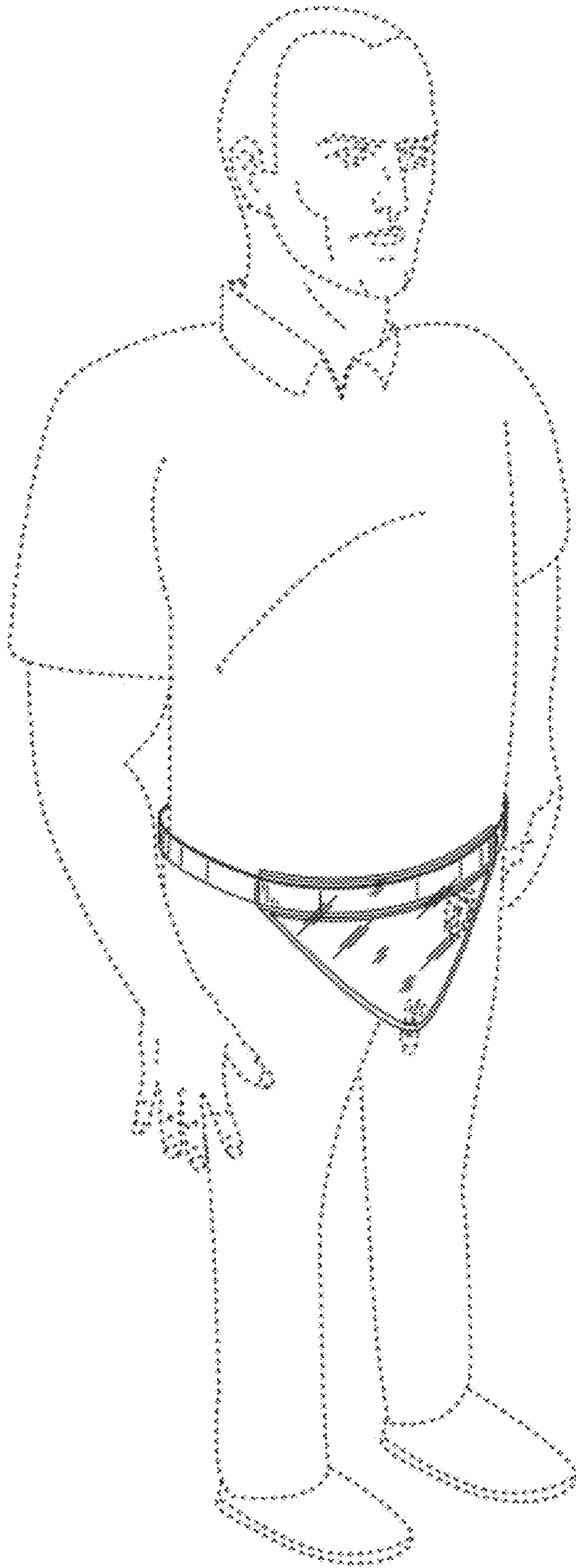


FIG. 36

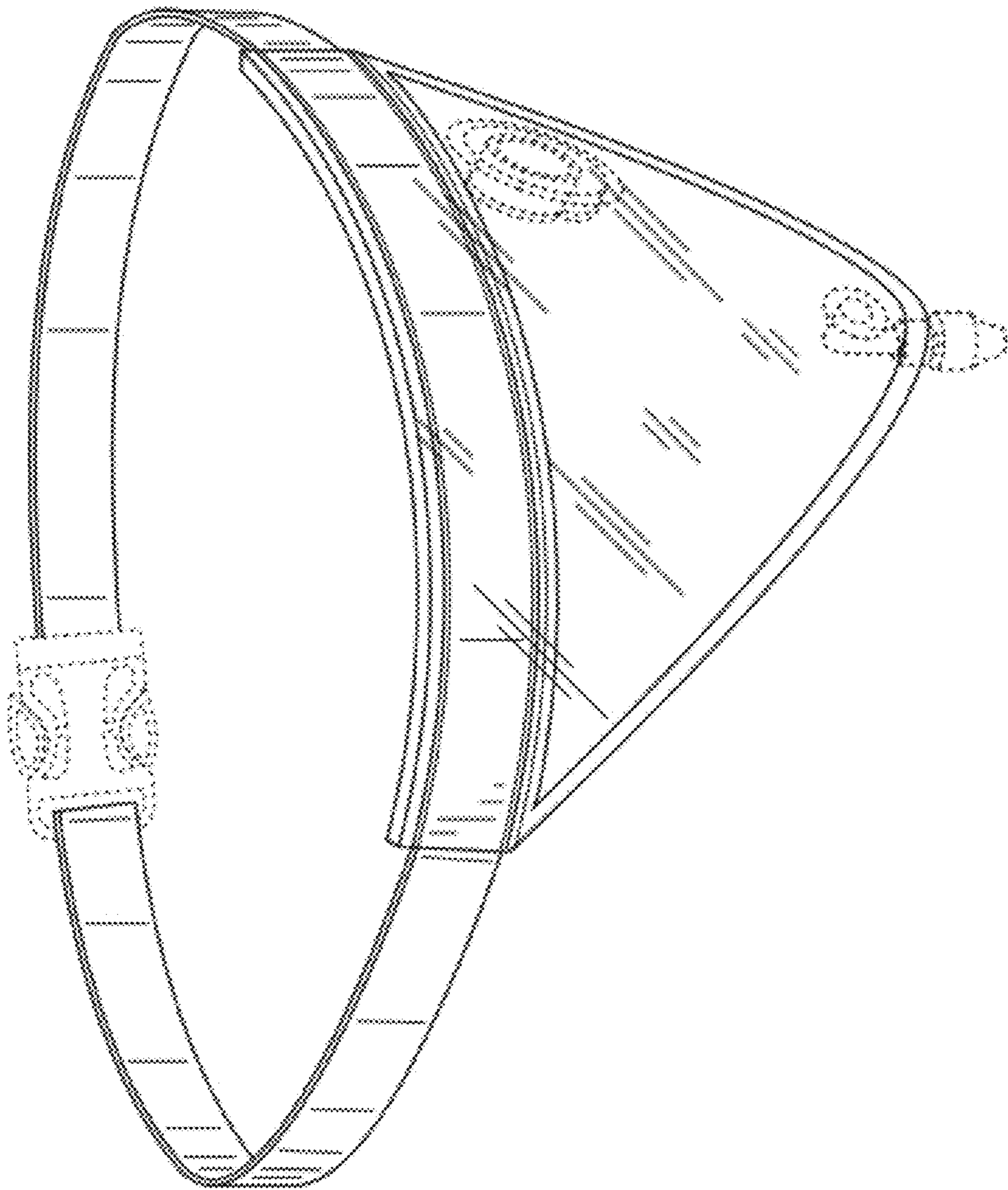


FIG. 37

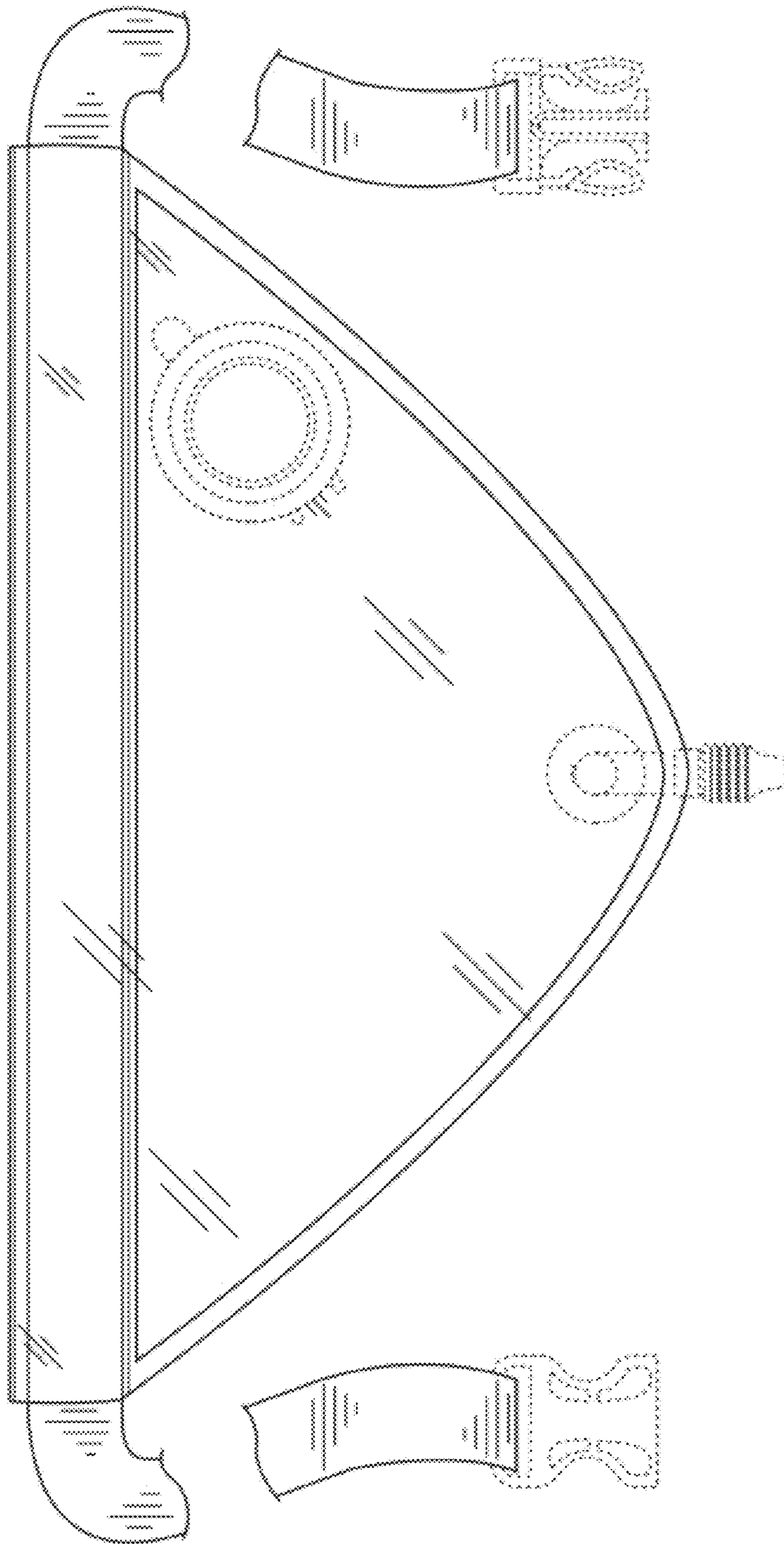


FIG. 38

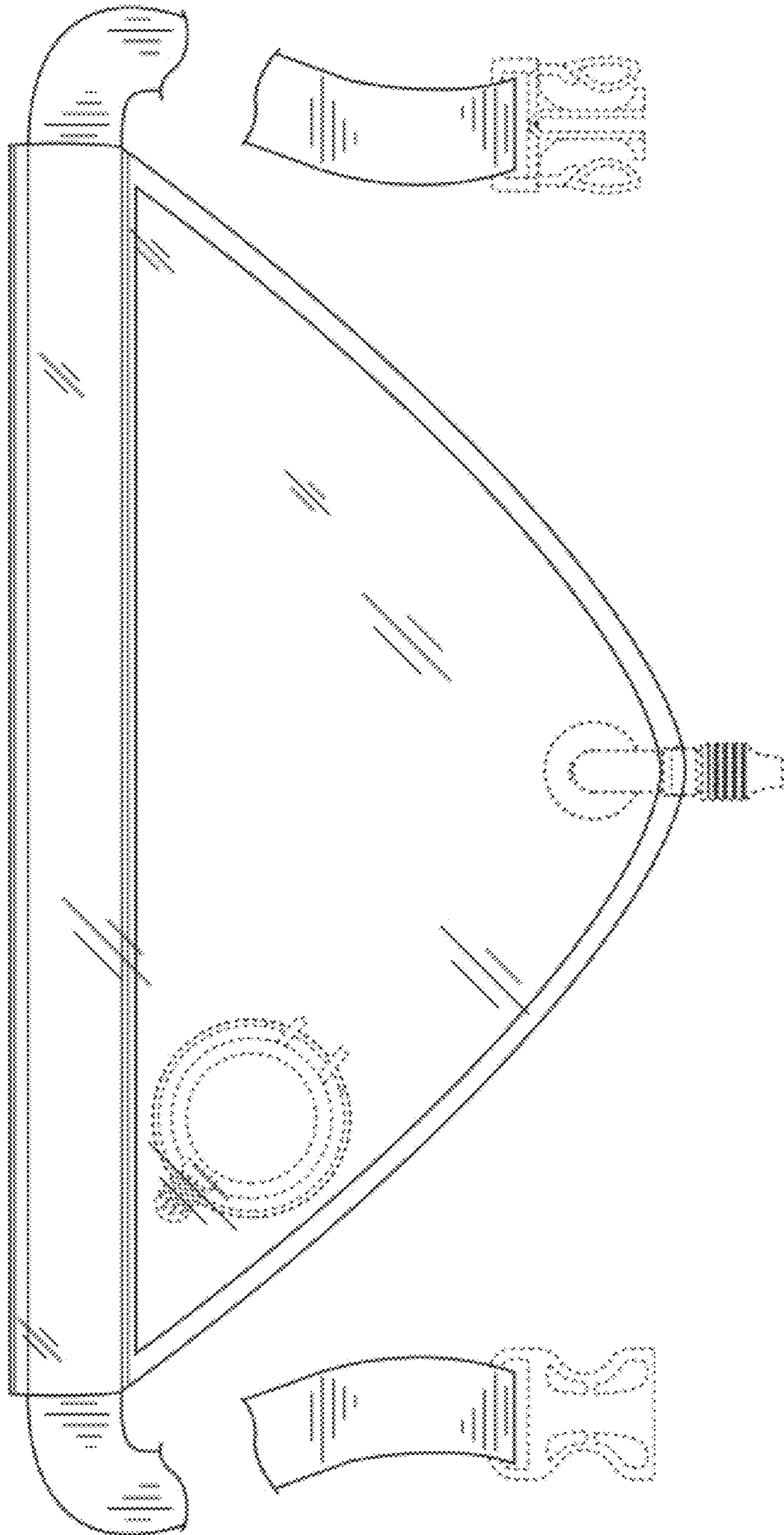


FIG. 39

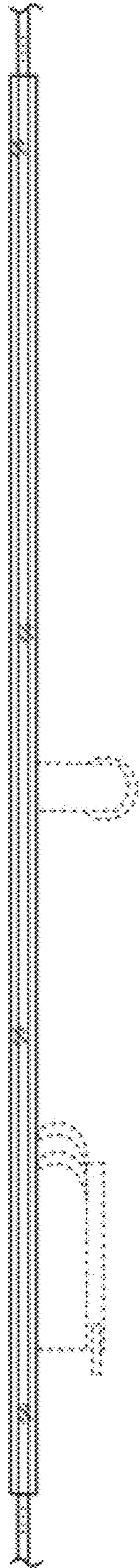


FIG. 40

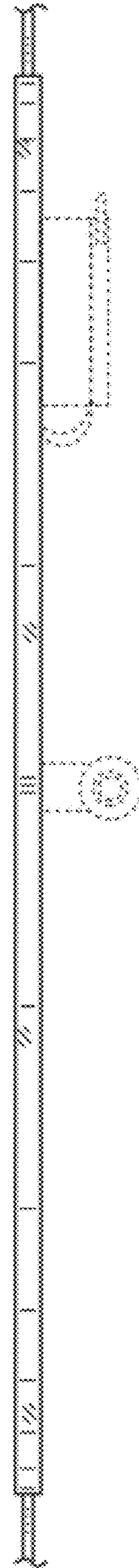


FIG. 41

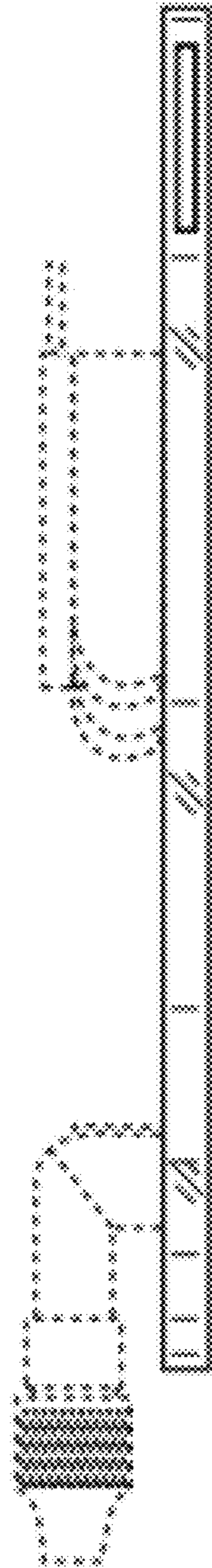


FIG. 42