



US00D669259S

(12) **United States Design Patent**
Schjolin

(10) **Patent No.:** **US D669,259 S**

(45) **Date of Patent:** **** Oct. 23, 2012**

(54) **BAG**
(76) Inventor: **Micael Schjolin**, Tyreso (SE)
(**) Term: **14 Years**
(21) Appl. No.: **29/399,918**
(22) Filed: **Aug. 19, 2011**
(30) **Foreign Application Priority Data**

Feb. 21, 2011 (EM) 001261481-0001

(51) **LOC (9) Cl.** **03-01**
(52) **U.S. Cl.** **D3/226**
(58) **Field of Classification Search** D3/218,
D3/226, 221, 254, 257; 224/158-159, 240-241,
224/434, 577, 663-664, 683-684; 2/10,
2/169-170, 195.1, 209.12; D2/625-629
See application file for complete search history.

(56) **References Cited**

U.S. PATENT DOCUMENTS

1,470,334 A * 10/1923 Stensgaard et al. 224/663
5,158,220 A * 10/1992 Glass 224/657
5,224,637 A * 7/1993 Colombo 224/159

5,367,713 A * 11/1994 McCallum 224/577
5,836,497 A * 11/1998 Pelish 224/677
D605,399 S * 12/2009 Faribault D3/226

* cited by examiner

Primary Examiner — Catheri Oliver-Garcia

(74) *Attorney, Agent, or Firm* — Alonzo & Associates; Arlyn Alonzo

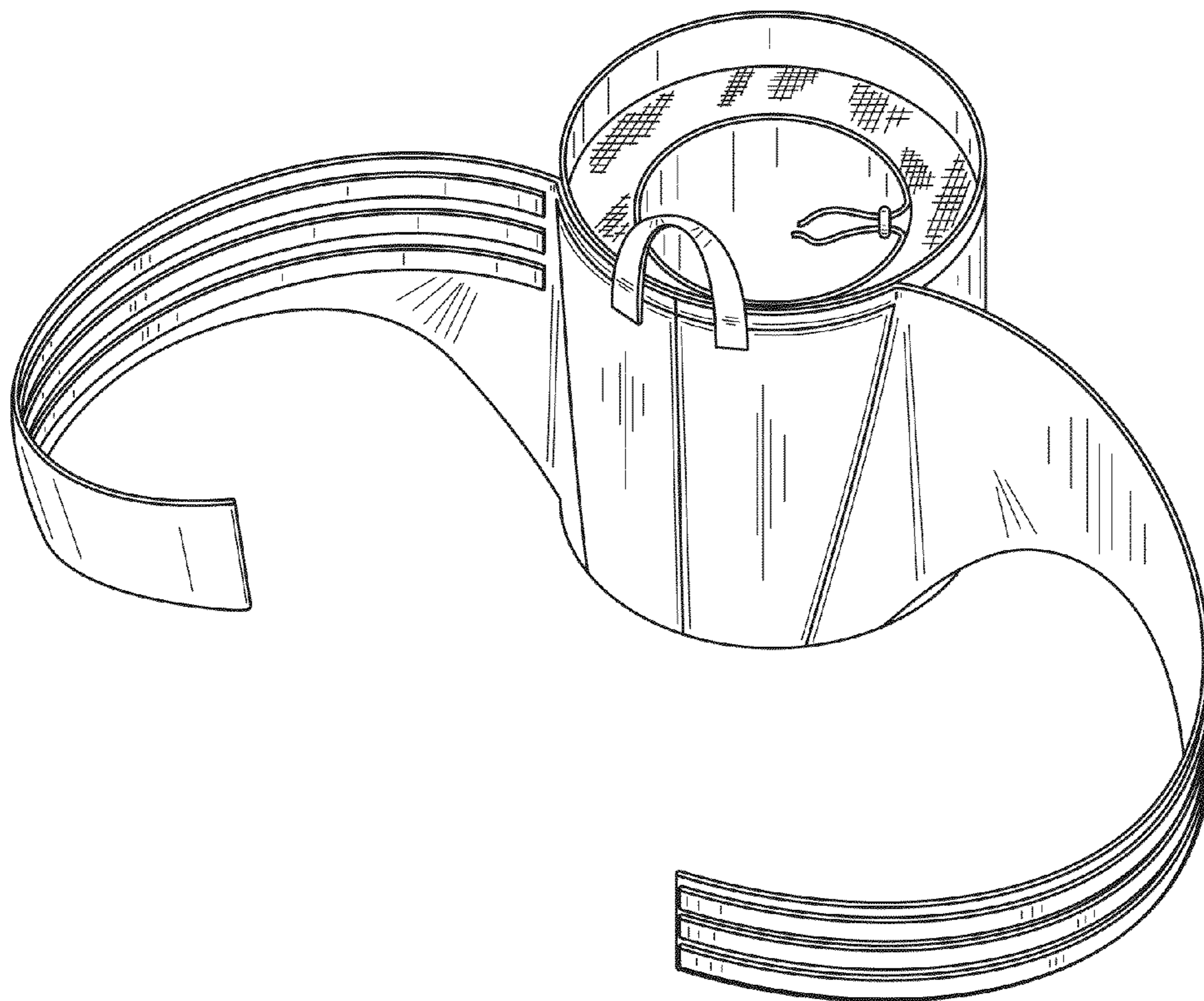
(57) **CLAIM**

The ornamental design for a bag, as shown and described.

DESCRIPTION

FIG. 1 is a top rear perspective view of an exemplary bag.
FIG. 2 is a front view thereof.
FIG. 3 is a rear view thereof.
FIG. 4 is a right side view thereof.
FIG. 5 is a left side view thereof.
FIG. 6 is a top view thereof.
FIG. 7 is a bottom view thereof; and,
FIG. 8 is rear view showing the belt portion fully extended thereof.
The design is a bag comprising a belt and a container portion. The bag is to be attached around the body of a person or around an object.

1 Claim, 8 Drawing Sheets



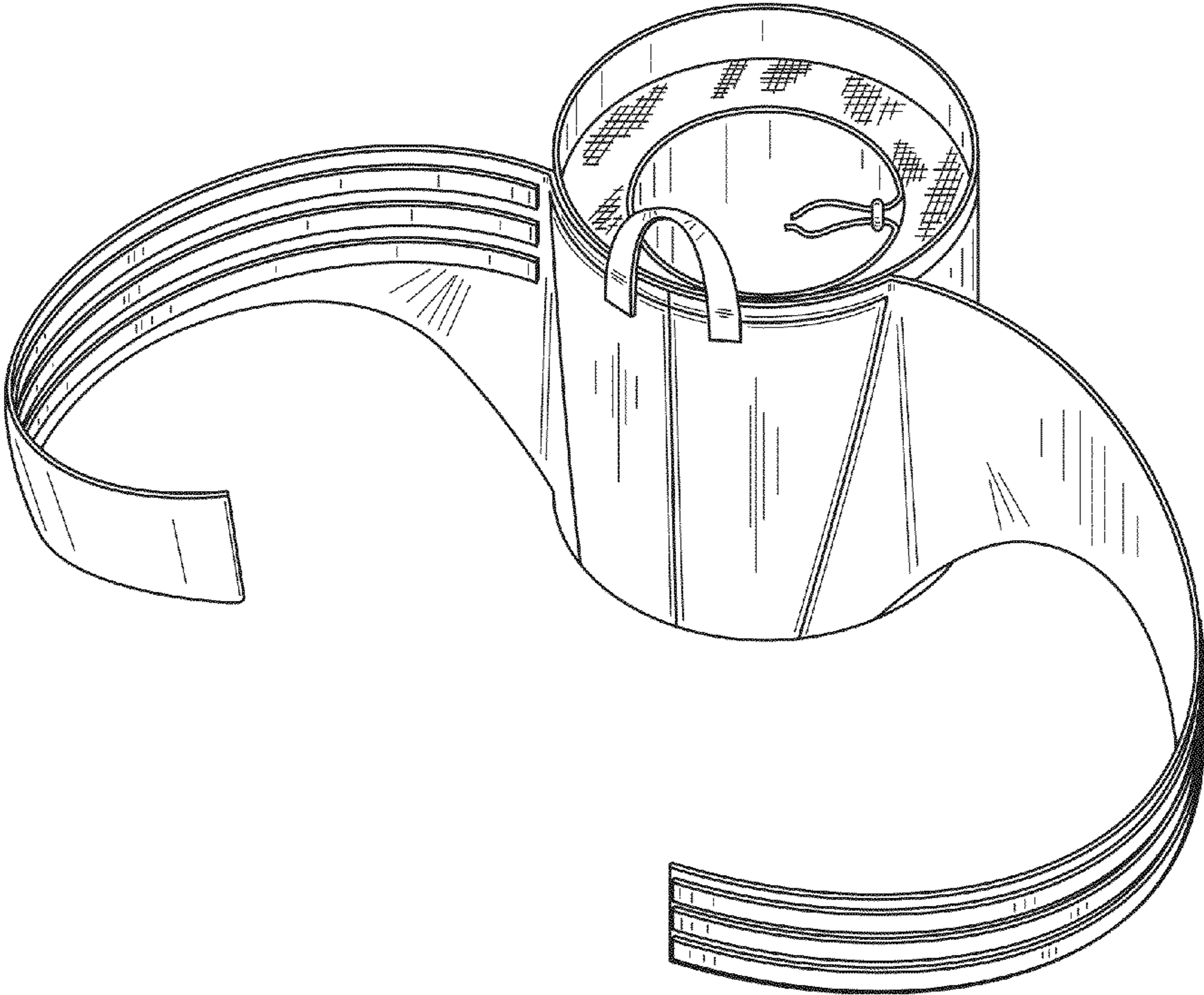


FIG.1

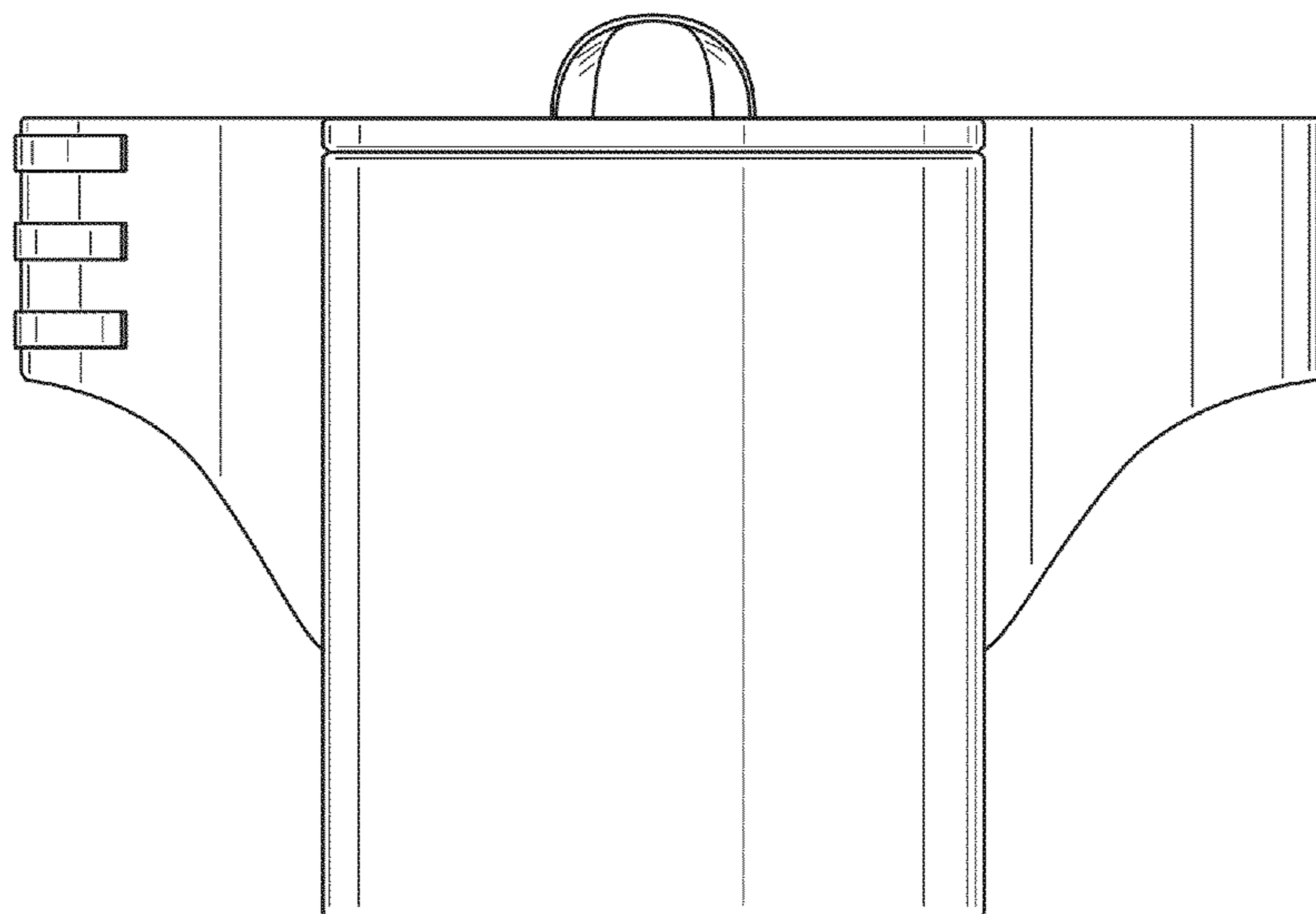


FIG.2

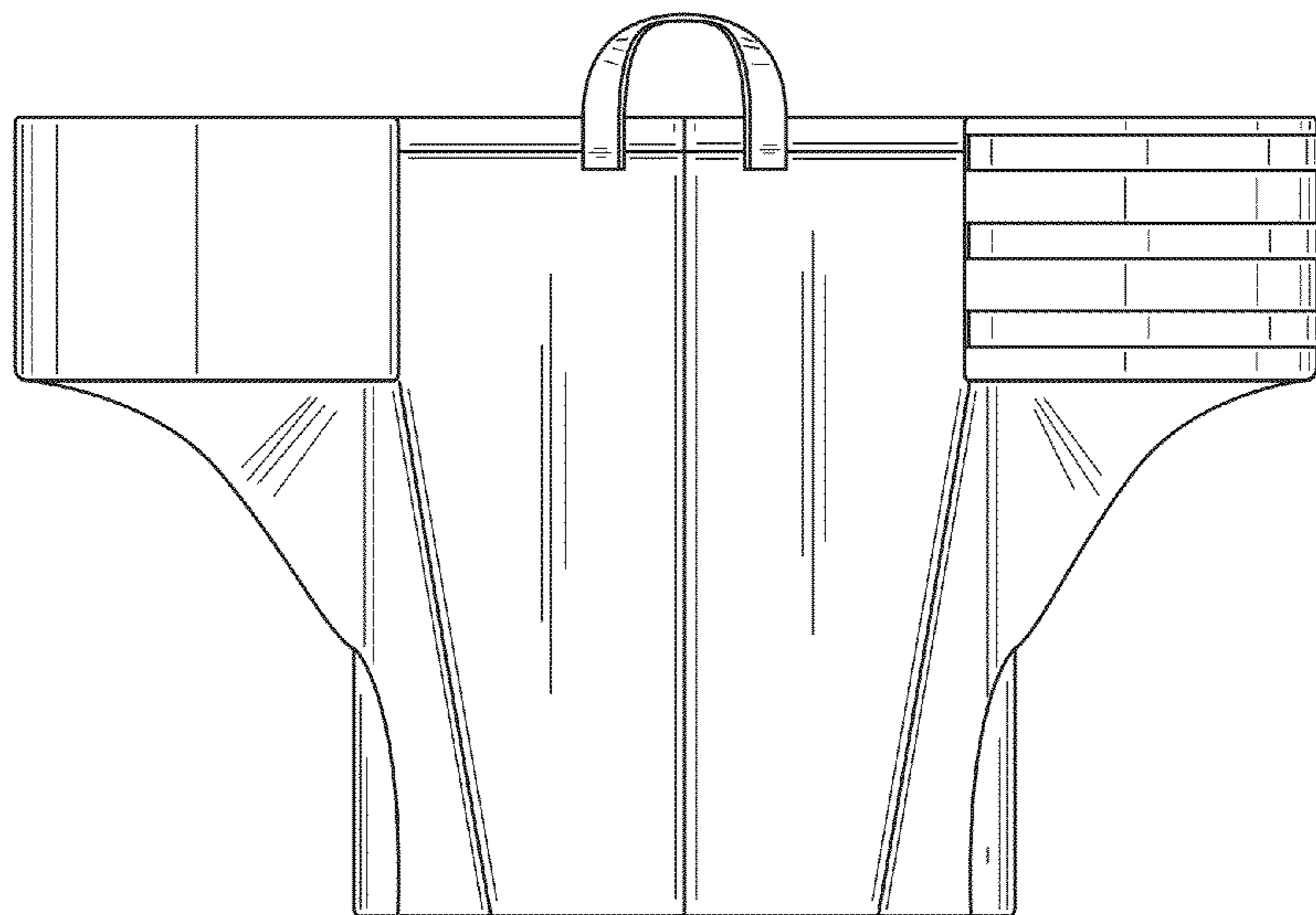


FIG.3

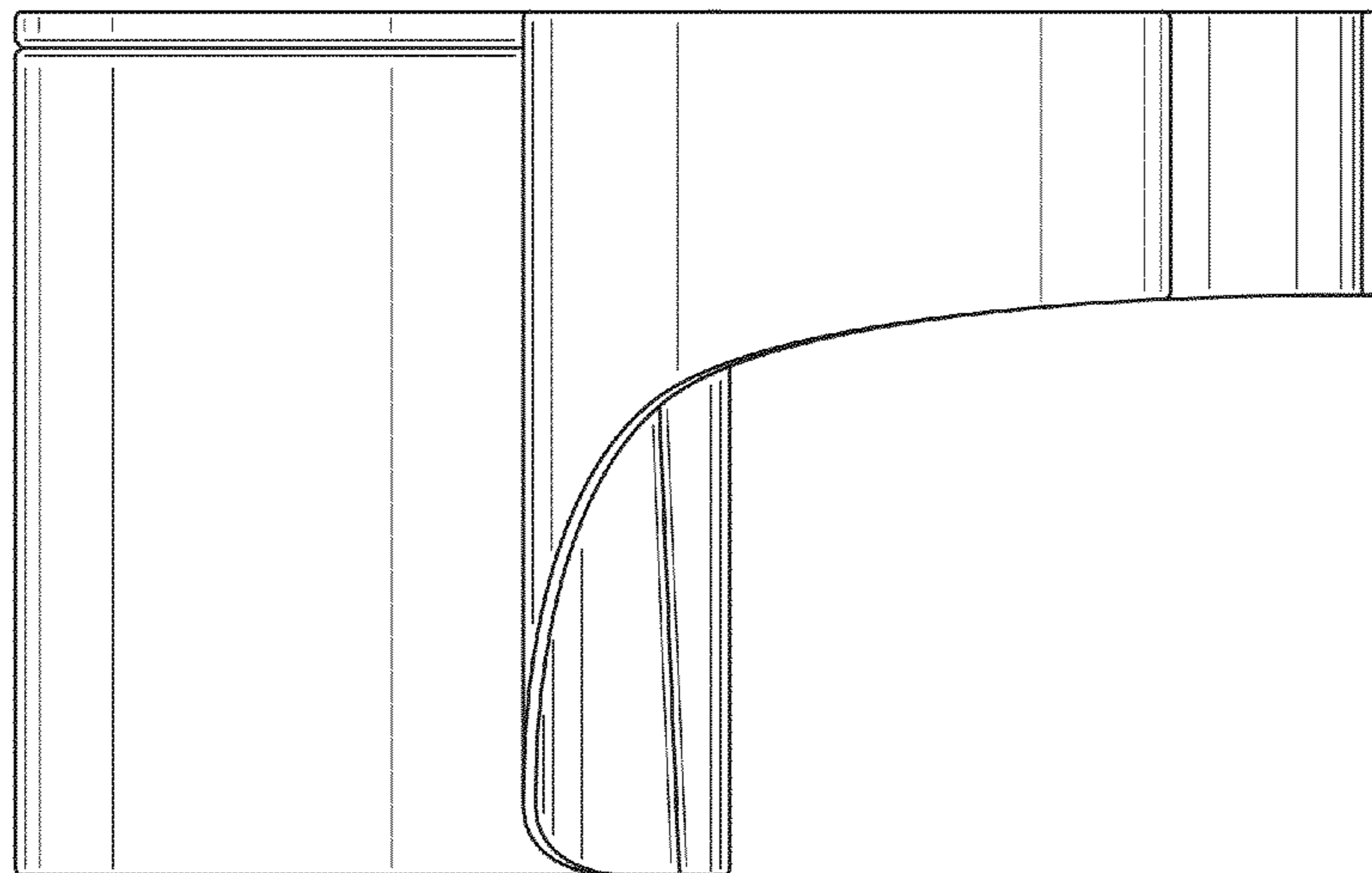


FIG.4

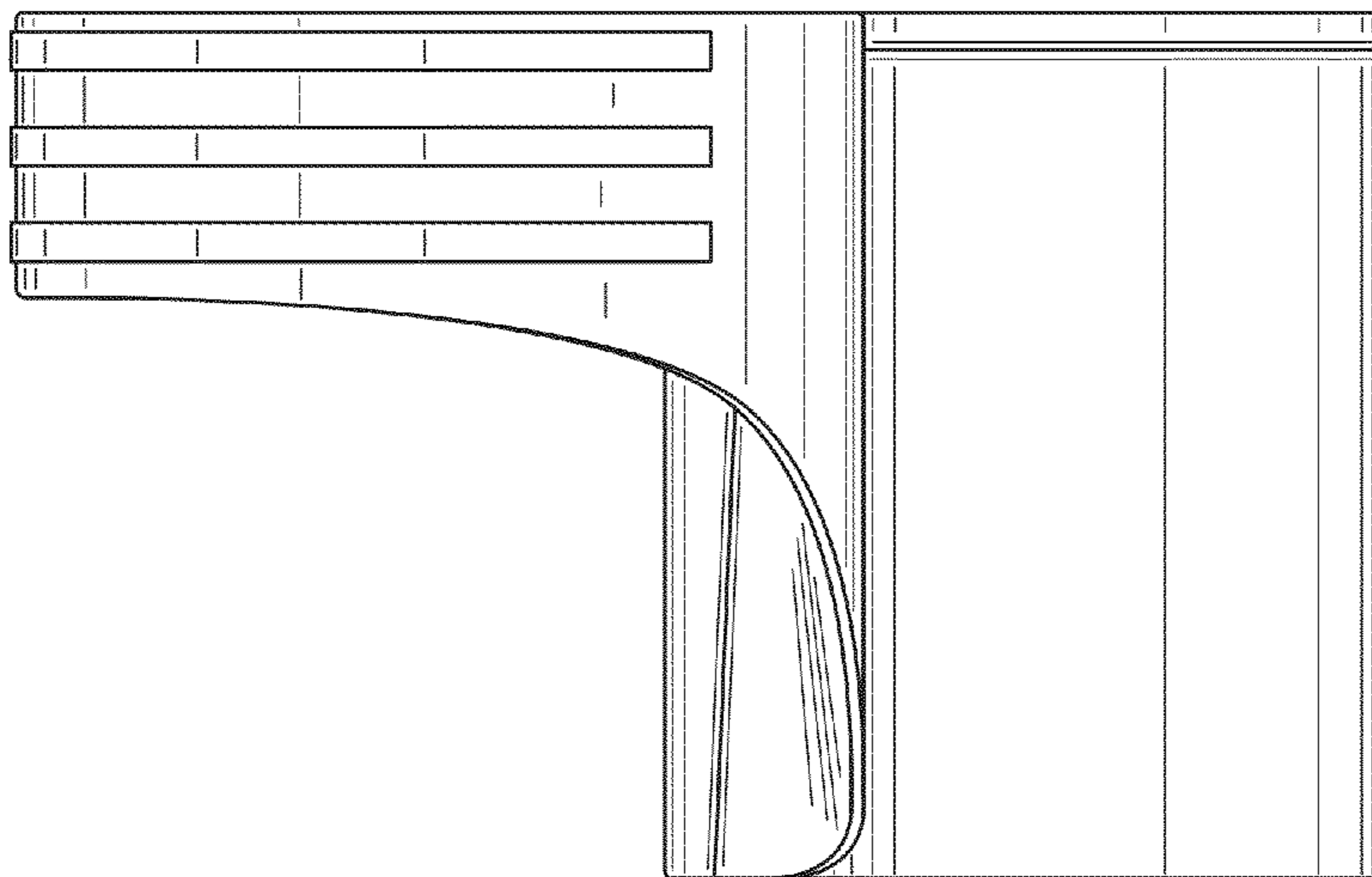


FIG.5

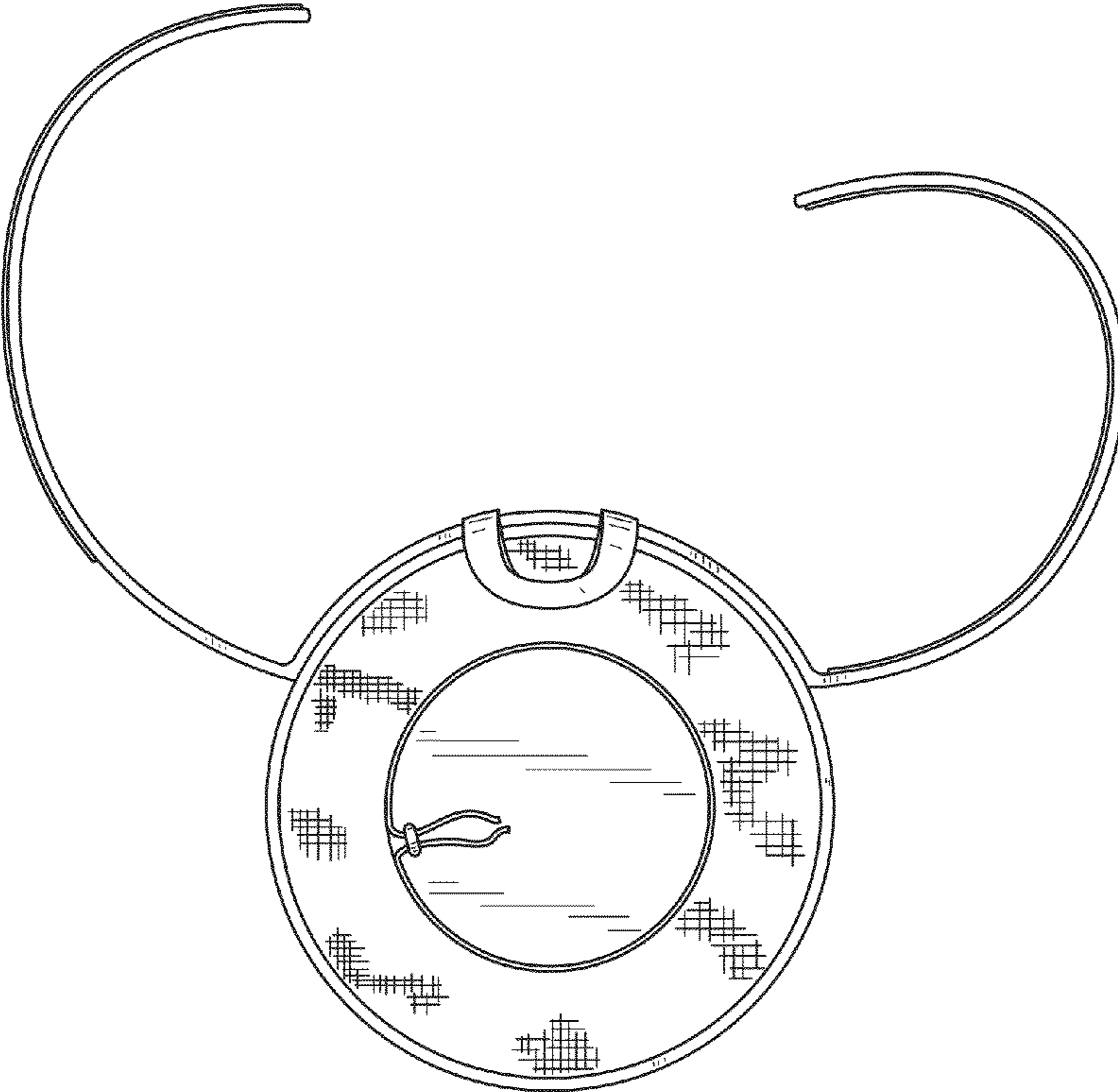


FIG.6

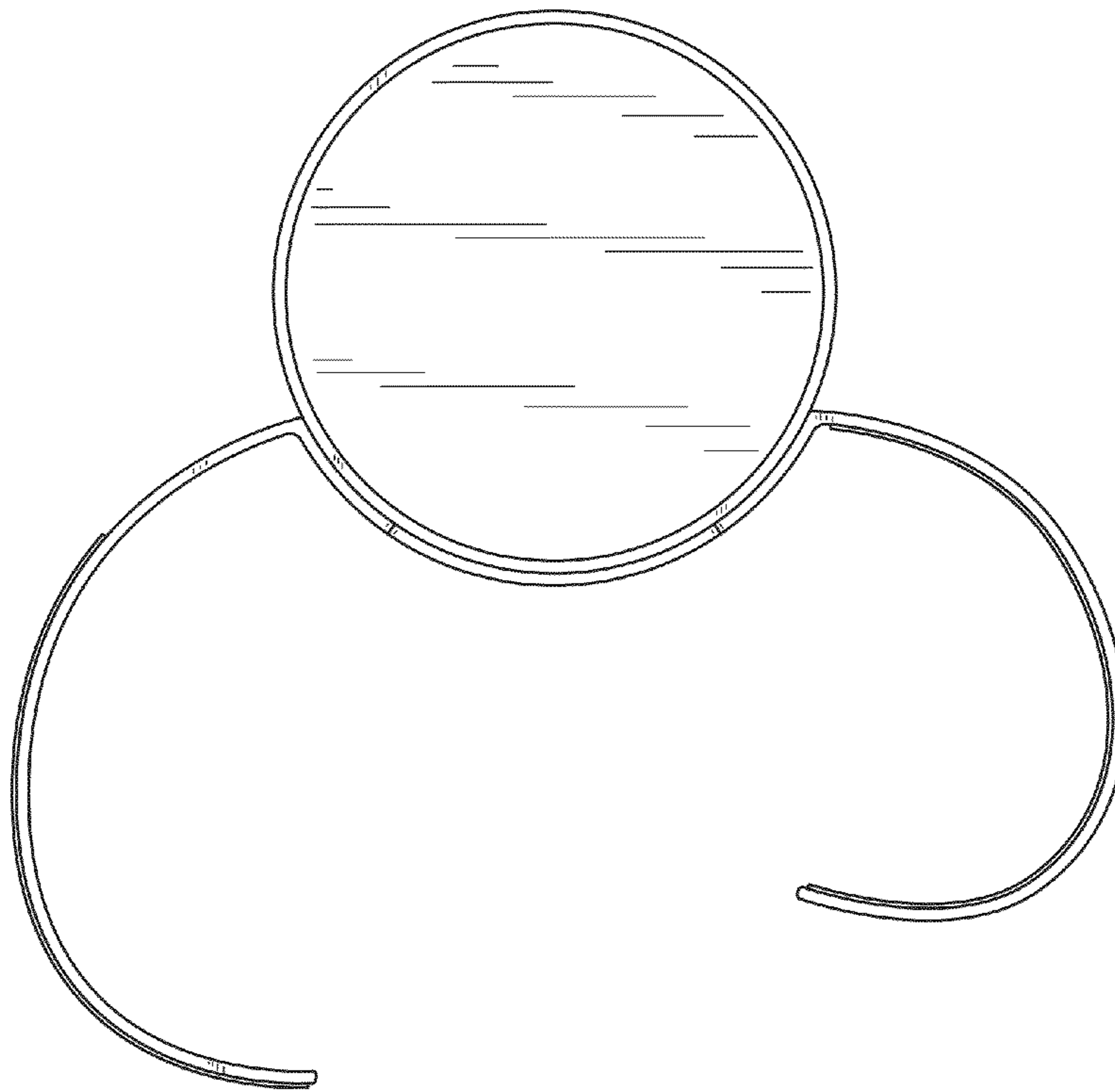


FIG.7

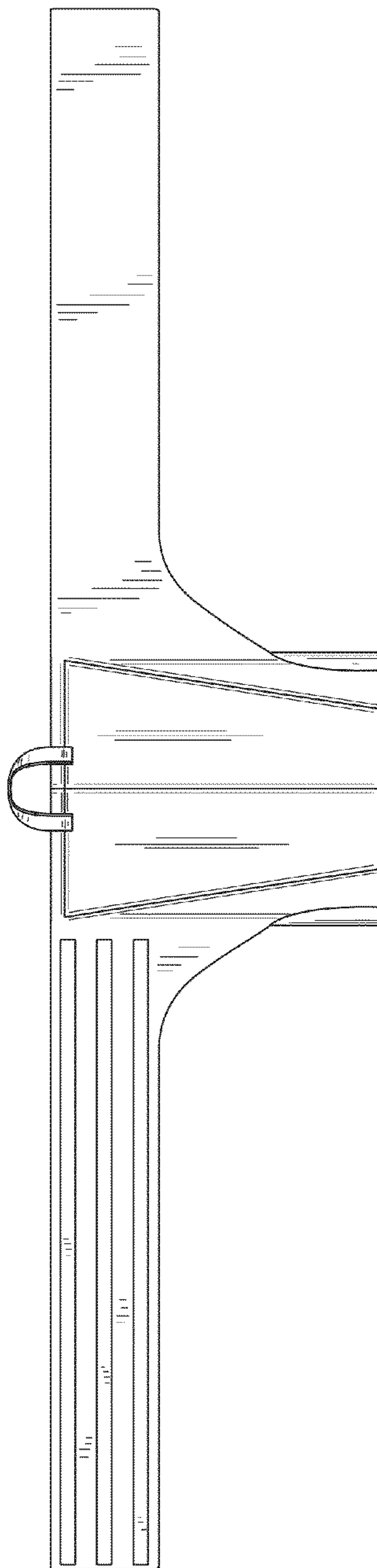


FIG.8