

US00D669258S

(12) **United States Design Patent**
Phillips et al.

(10) **Patent No.:** **US D669,258 S**

(45) **Date of Patent:** **** *Oct. 23, 2012**

(54) **DEVICE HOLSTER**

(75) Inventors: **Alison Phillips**, Toronto (CA); **Caitlin Curran-Blaney**, Toronto (CA); **Kim Thlel Moy Thomson**, Ottawa (CA)

(73) Assignee: **Research In Motion Limited**, Waterloo, Ontario (CA)

(*) Notice: This patent is subject to a terminal disclaimer.

(**) Term: **14 Years**

(21) Appl. No.: **29/408,799**

(22) Filed: **Dec. 16, 2011**

(51) **LOC (9) Cl.** **03-01**

(52) **U.S. Cl.** **D3/218**

(58) **Field of Classification Search** D3/218,
D3/201, 215, 219, 226, 269, 272–273, 265,
D3/303, 247–249; 206/305, 320; 455/90,
455/92, 42; 379/455; 224/250, 666, 674–677,
224/680–683, 240, 901; D14/496, 156, 138,
D14/250, 253

See application file for complete search history.

(56) **References Cited**

U.S. PATENT DOCUMENTS

D534,720 S *	1/2007	Infanti et al.	D3/218
D606,299 S *	12/2009	Boomhour et al.	D3/201
D606,301 S *	12/2009	Hofer et al.	D3/218
D611,701 S *	3/2010	Fahrendorff et al.	D3/218

* cited by examiner

Primary Examiner — Catheri Oliver

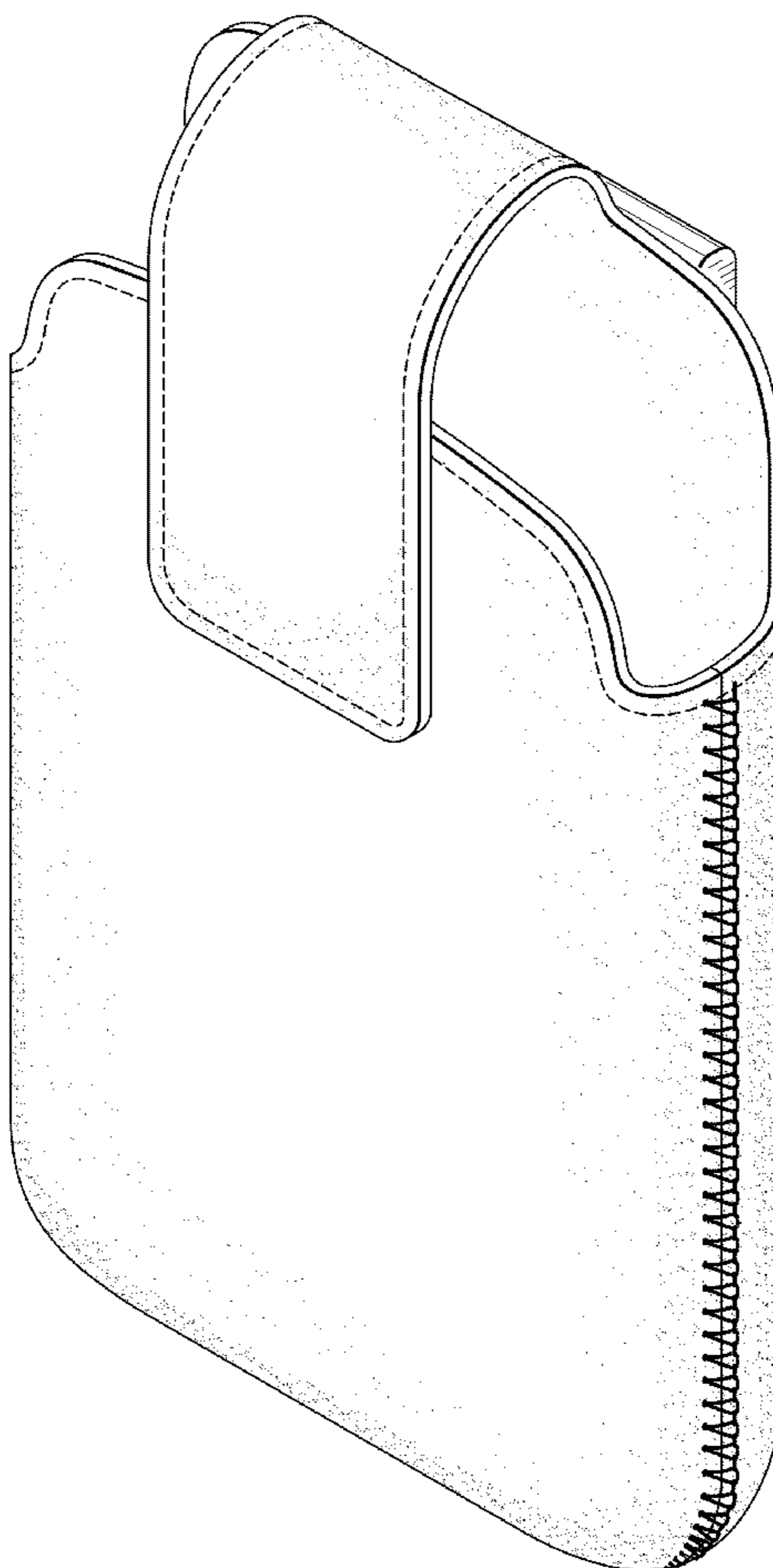
(57) **CLAIM**

We claim the ornamental design for a device holster, as shown and described.

DESCRIPTION

FIG. 1 is a front perspective view of a device holster; FIG. 2 is a front elevational view of the device holster; FIG. 3 is a rear elevational view thereof; FIG. 4 is a left elevational view thereof; FIG. 5 is a right elevational view thereof; FIG. 6 is a top plan view thereof; and, FIG. 7 is a bottom plan view thereof.

1 Claim, 5 Drawing Sheets



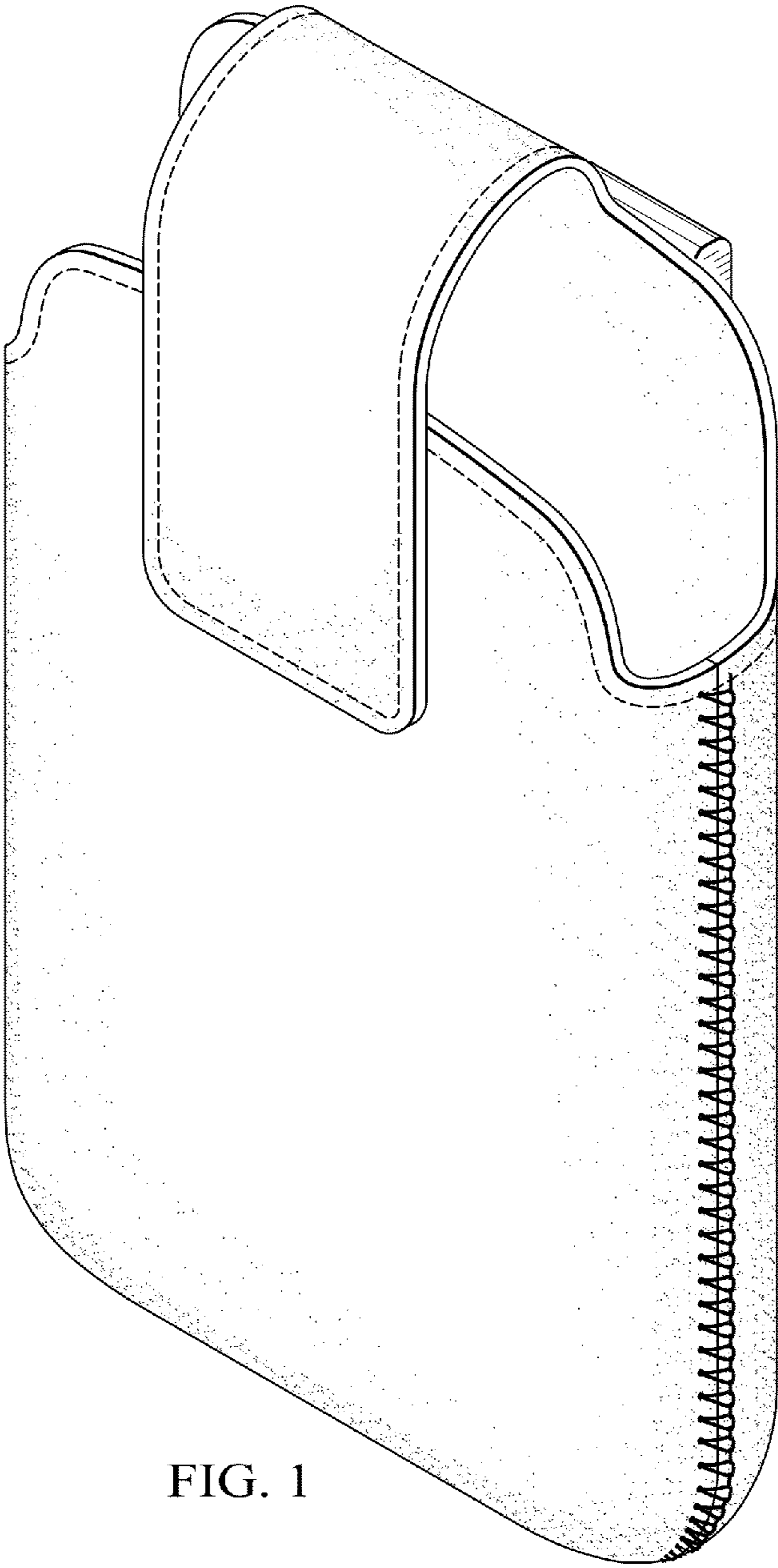


FIG. 1

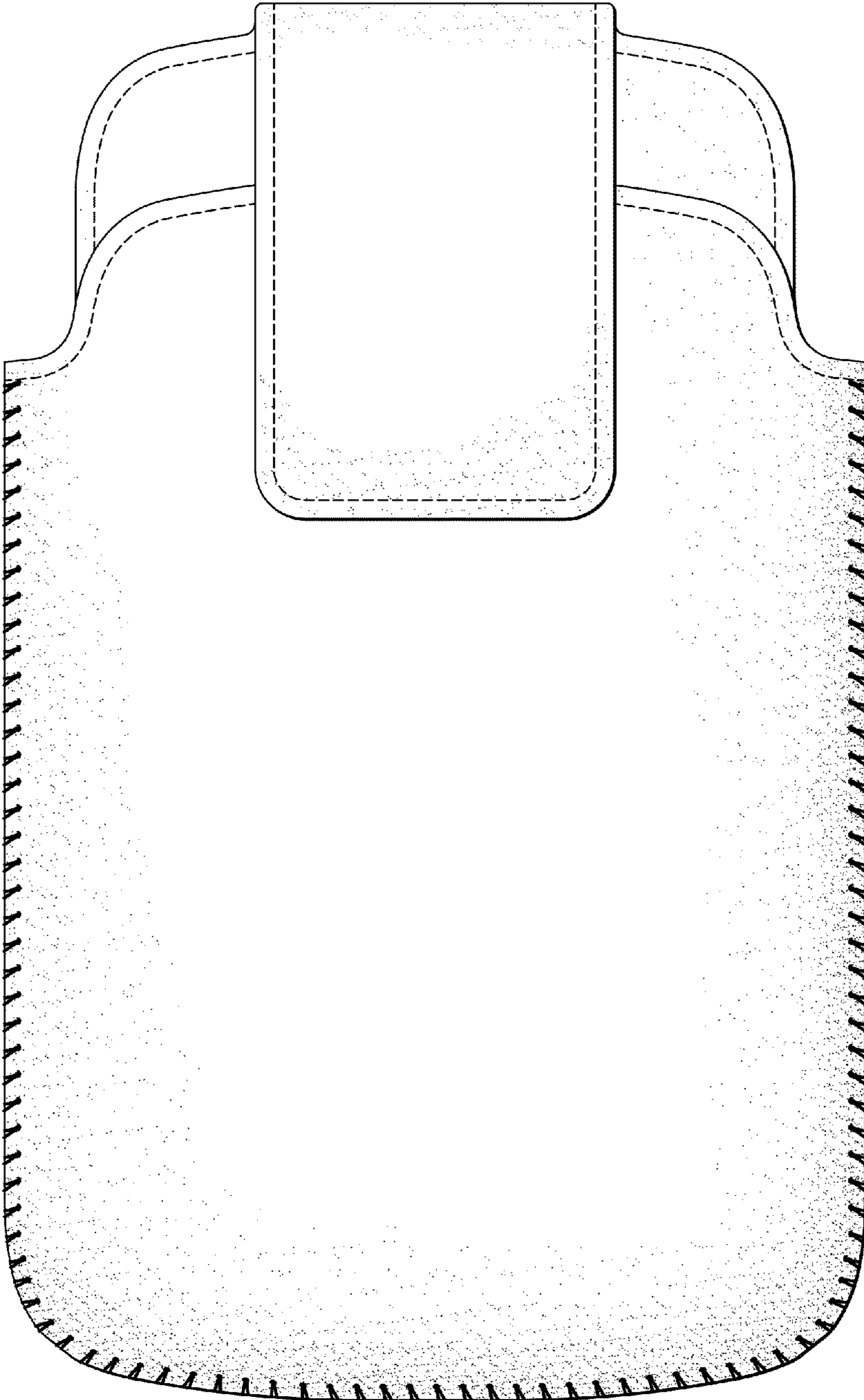


FIG. 2

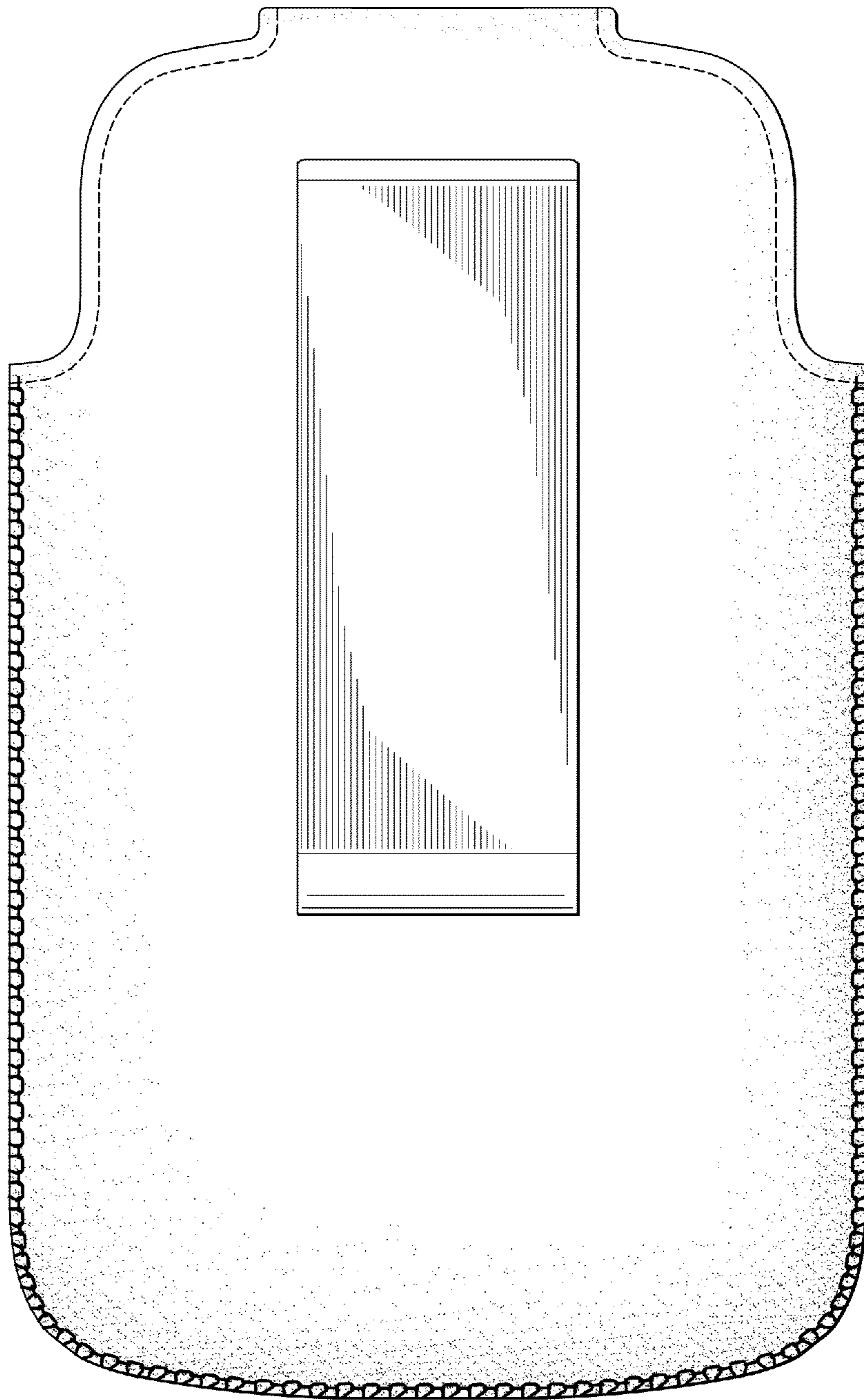


FIG. 3

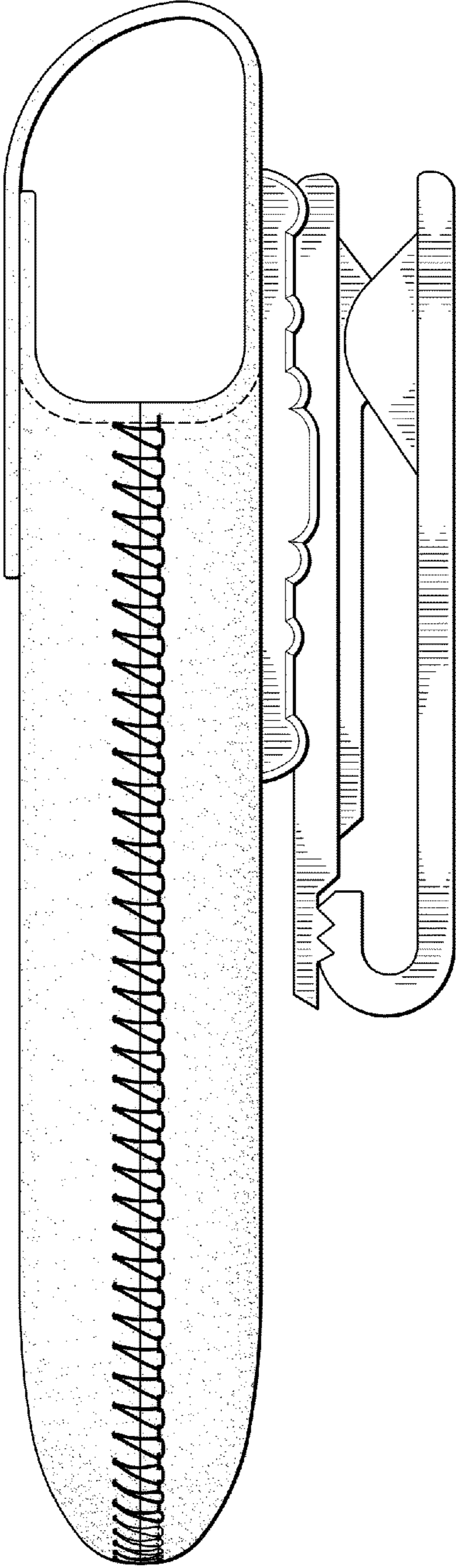


FIG. 4

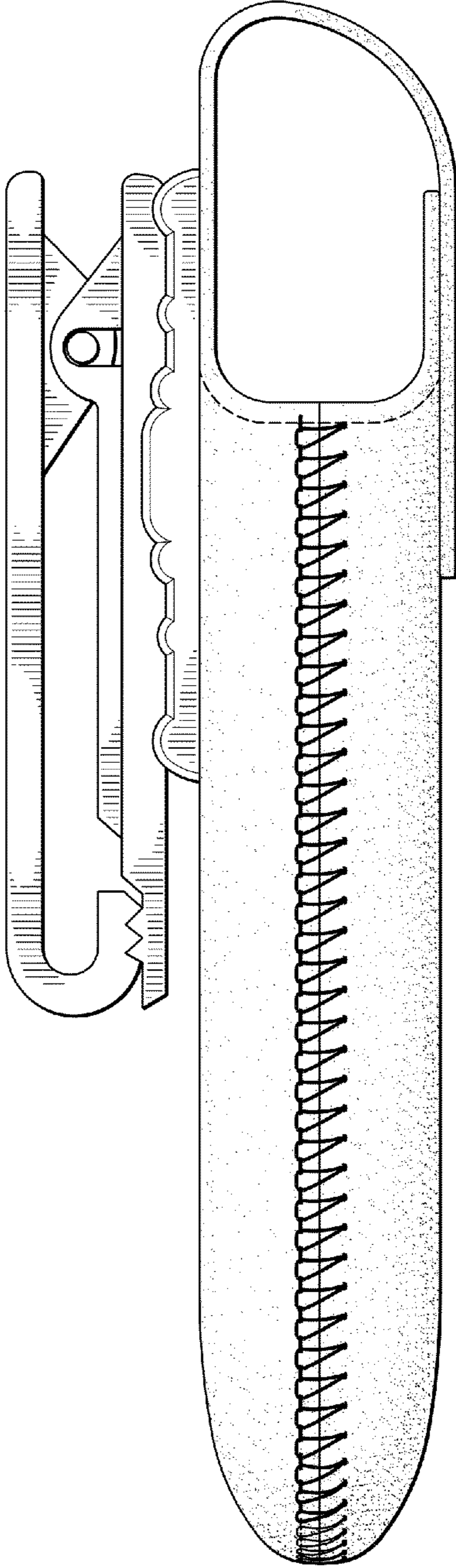


FIG. 5

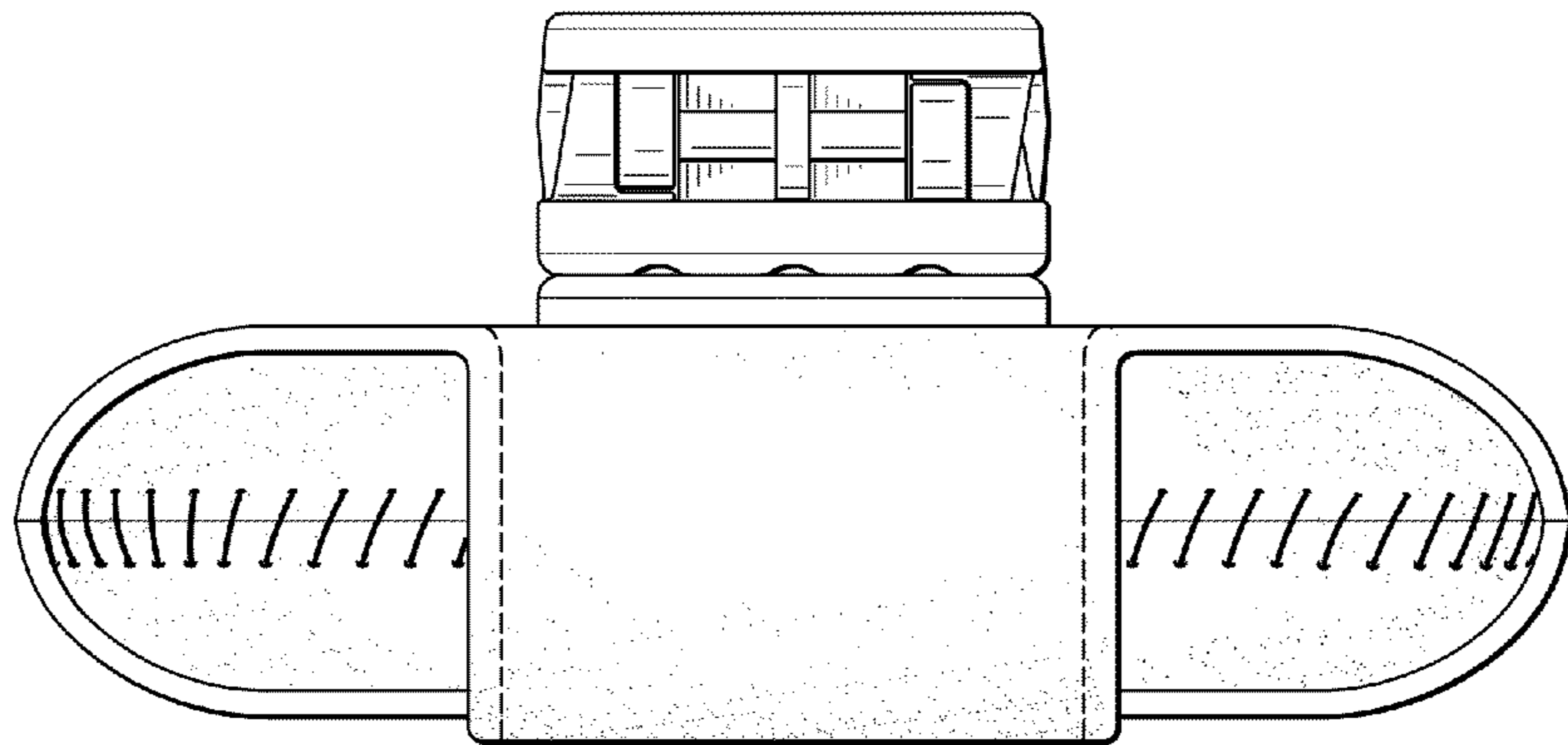


FIG. 6

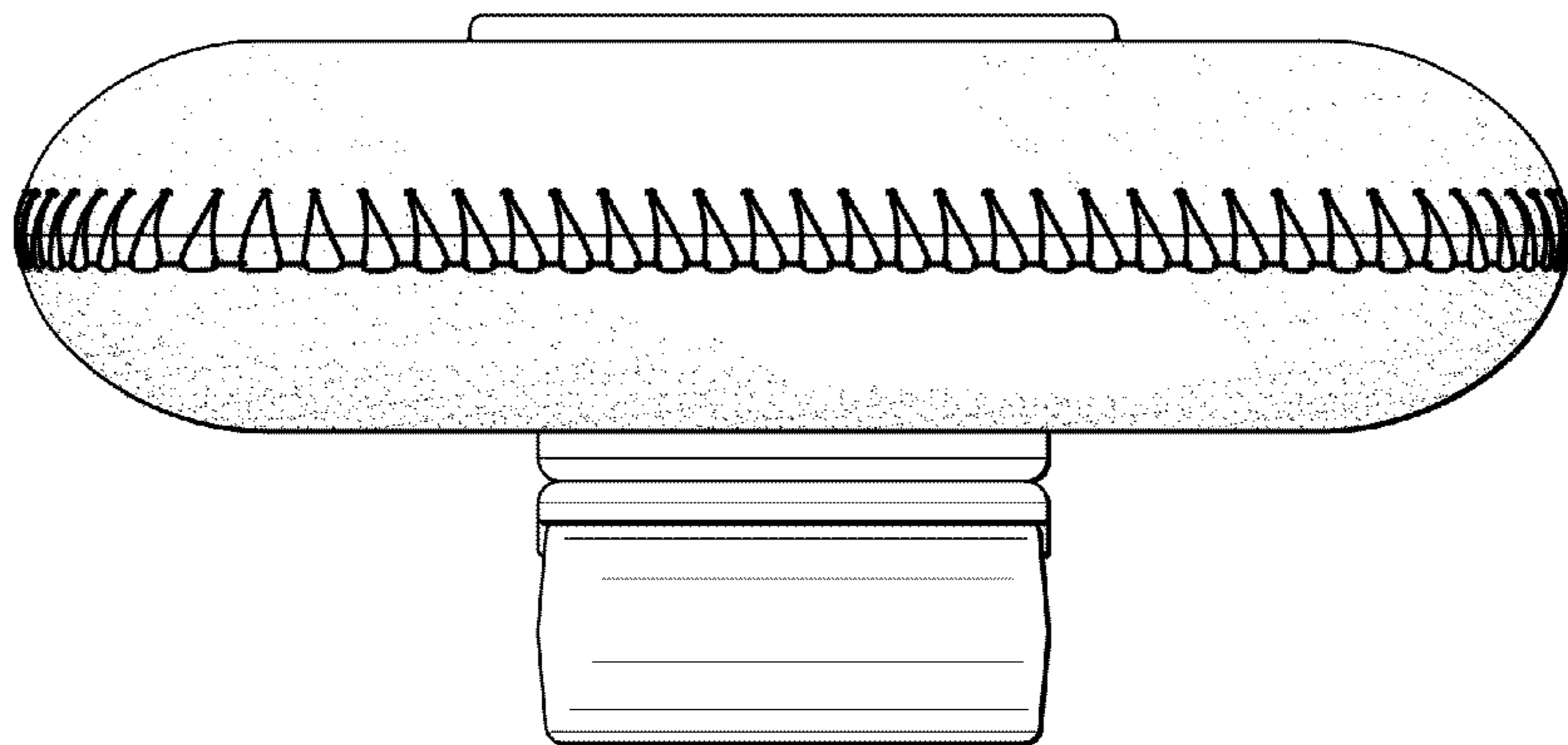


FIG. 7