

US00D669250S

(12) **United States Design Patent**  
**Girbaud et al.**

(10) **Patent No.:** **US D669,250 S**  
(45) **Date of Patent:** **\*\* Oct. 23, 2012**

(54) **PANTS POCKETS**

(75) Inventors: **François Girbaud**, Paris (FR); **Marithé Bachelier**, Paris (FR)

(73) Assignee: **Wurzburg Holding S.A.**, Luxembourg (LU)

(\*\*) Term: **14 Years**

(21) Appl. No.: **29/330,943**

(22) Filed: **Jan. 16, 2009**

(51) **LOC (9) Cl.** ..... **02-02**

(52) **U.S. Cl.** ..... **D2/857**

(58) **Field of Classification Search** ..... D2/700,  
D2/731, 738, 742, 712, 857; 2/79, 80, 227,  
2/228, 234-238, 247

See application file for complete search history.

(56) **References Cited**

**U.S. PATENT DOCUMENTS**

2,476,354	A *	7/1949	Brisbin	.....	2/247
2,840,824	A *	7/1958	Horner	.....	2/247
5,713,292	A *	2/1998	Wong	.....	112/441
D527,512	S *	9/2006	Chionna	.....	D2/742
D528,742	S *	9/2006	Langmantel	.....	D2/857
D588,336	S *	3/2009	Fazeli	.....	D2/742
D591,029	S *	4/2009	Zhang	.....	D2/857
D609,433	S *	2/2010	Yu	.....	D2/857
D625,902	S *	10/2010	Karpe	.....	D2/857
2010/0136882	A1 *	6/2010	Malish	.....	450/11

**FOREIGN PATENT DOCUMENTS**

AU	332439	S *	8/2010
AU	333879	S *	11/2010
EP	1502513	A1 *	2/2005
FR	2873543	A1 *	2/2006
JP	2007169810	A *	7/2007
JP	2008280625	A *	11/2008

\* cited by examiner

*Primary Examiner* — Rashida Johnson

(74) *Attorney, Agent, or Firm* — Polster, Lieder, Woodruff & Lucchesi, L.C.

(57) **CLAIM**

The ornamental design for pants pockets, as shown and described.

**DESCRIPTION**

FIG. 1 is a partial front view of pants pockets showing our new design;

FIG. 2 is a front view of the pants pockets shown on the rear of pants;

FIG. 3 is a left side view thereof;

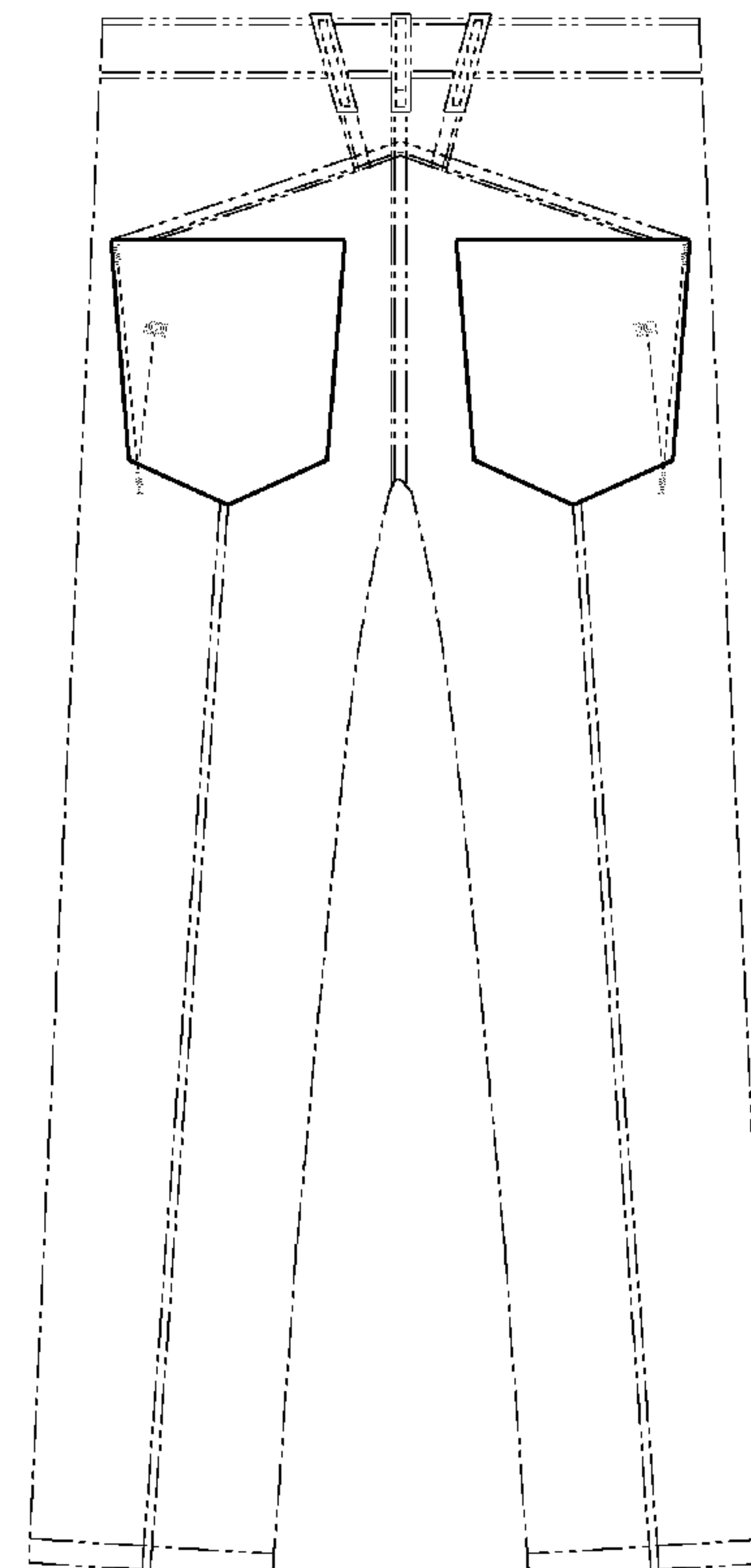
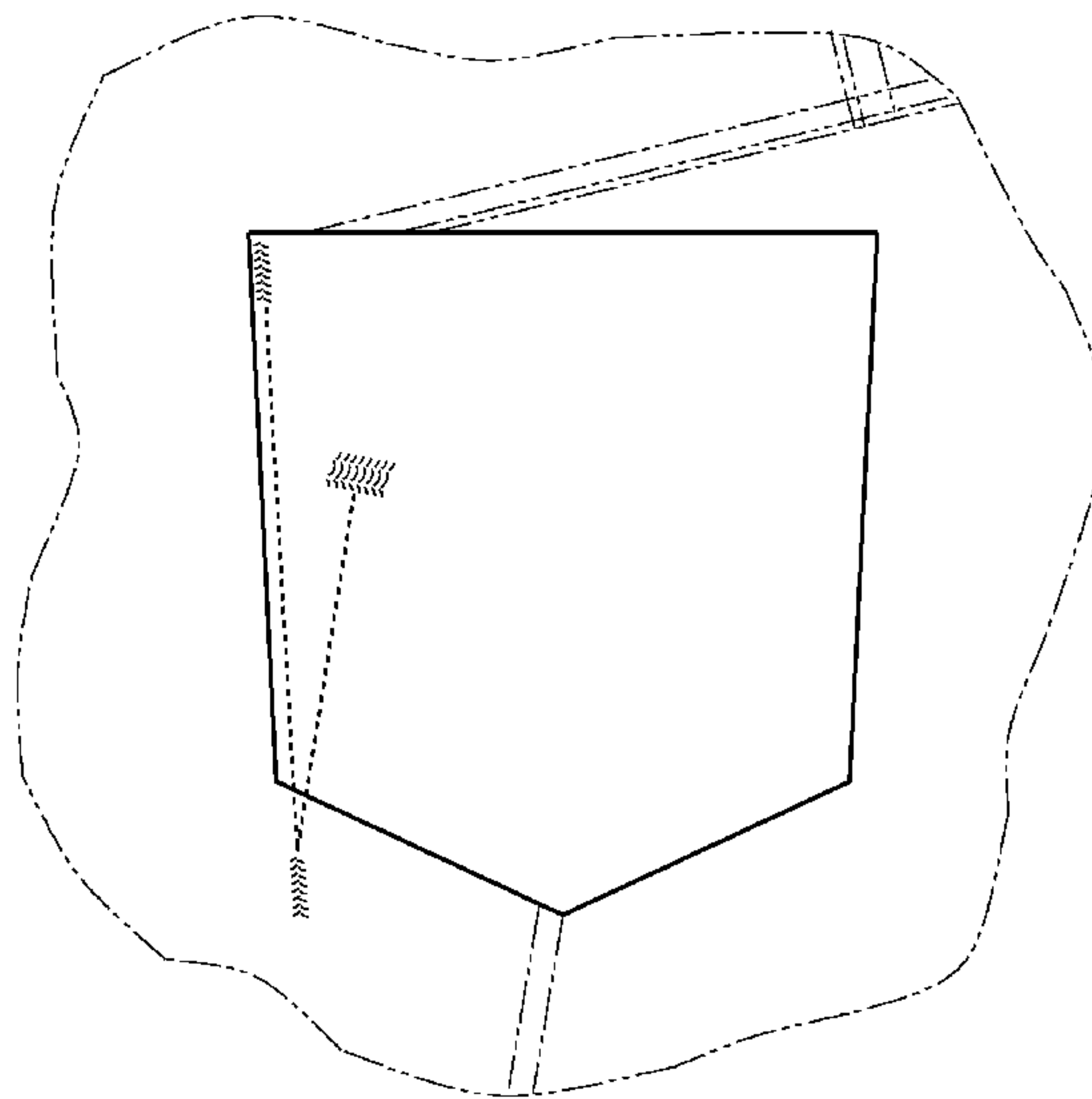
FIG. 4 is another front view of the pants pockets shown on the rear of pants; and,

FIG. 5 is a left side view thereof.

The uniform broken lines, shown throughout the views, represents stitching which forms a part of the claimed design.

The phantom dot-dot-dash lines represent cloth edges and stitching which form no part of the claimed design.

**1 Claim, 3 Drawing Sheets**



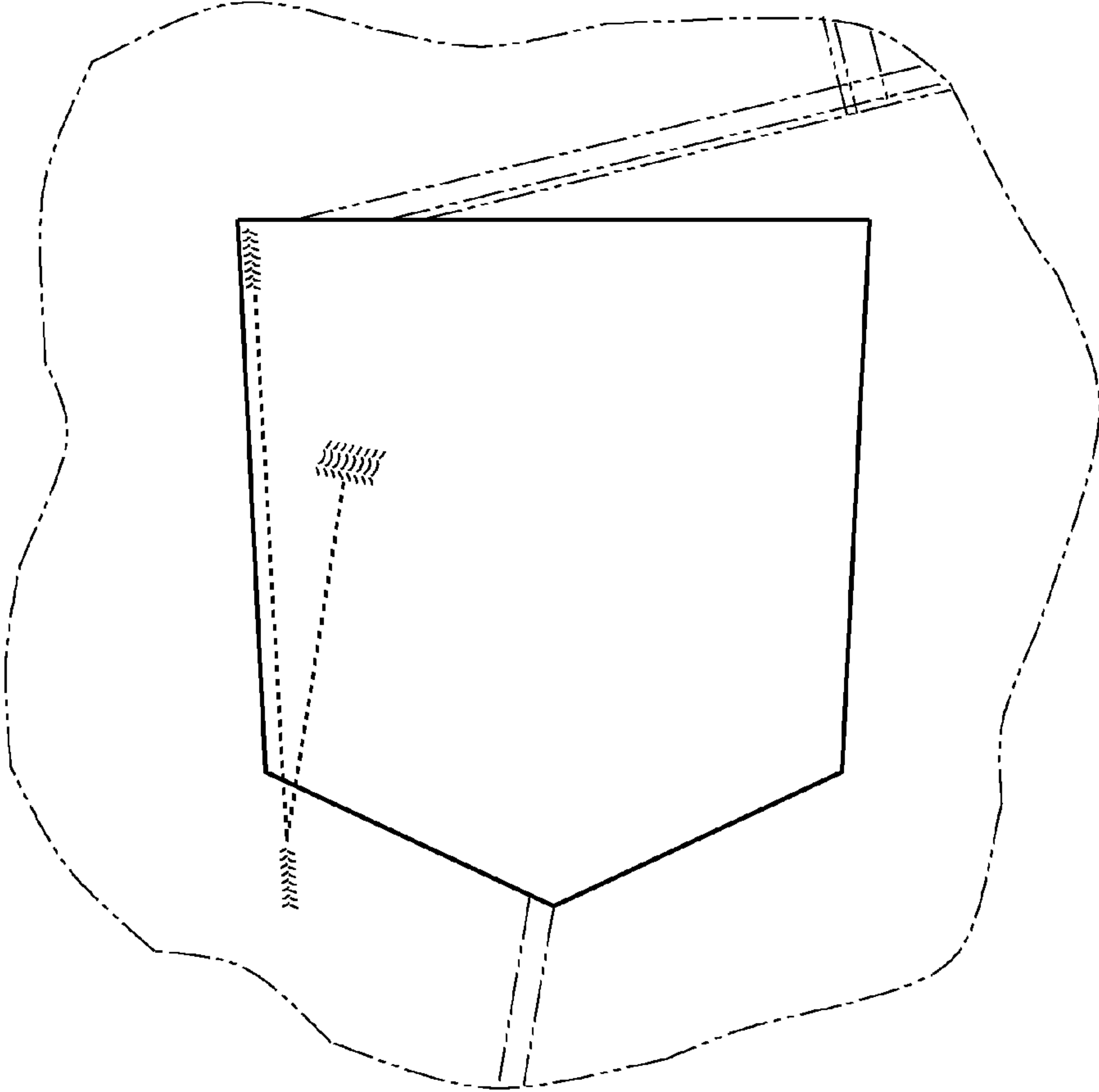


FIG. 1

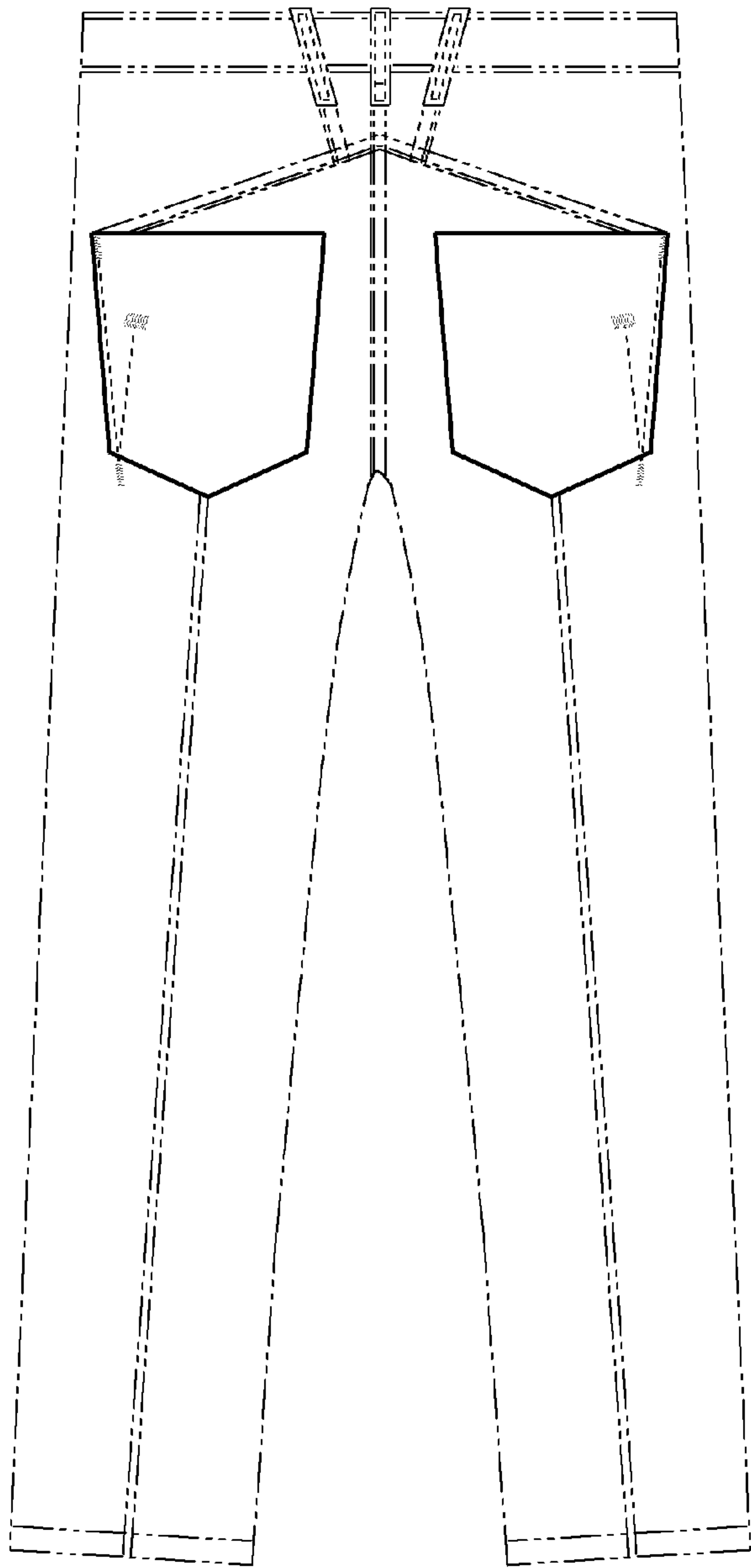


FIG. 2

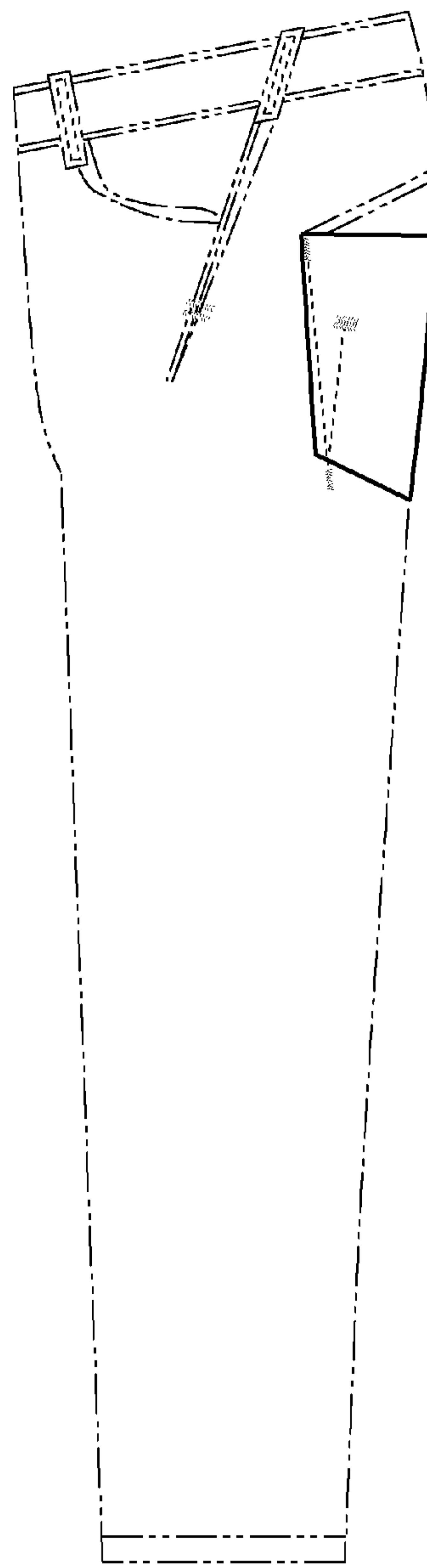


FIG. 3

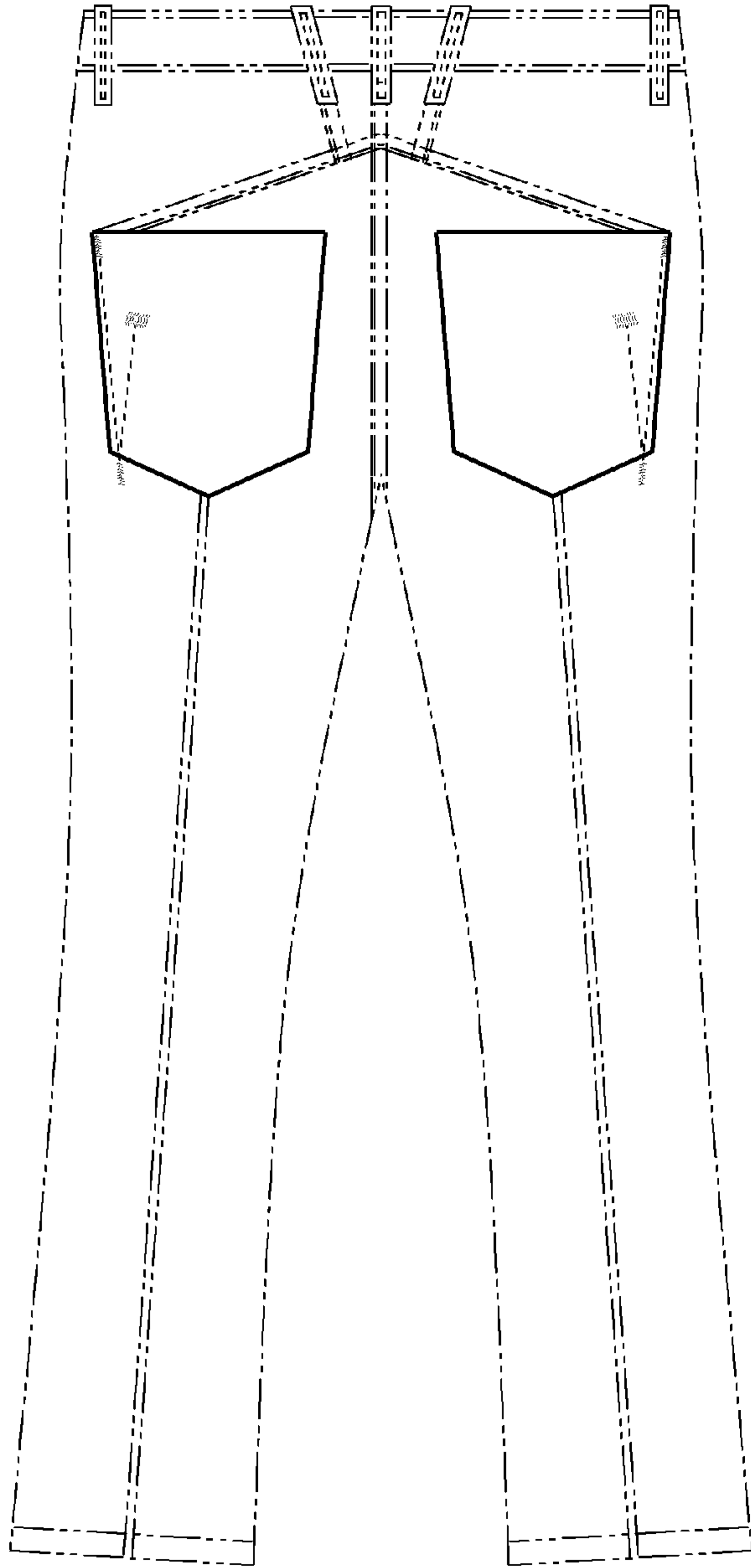


FIG. 4

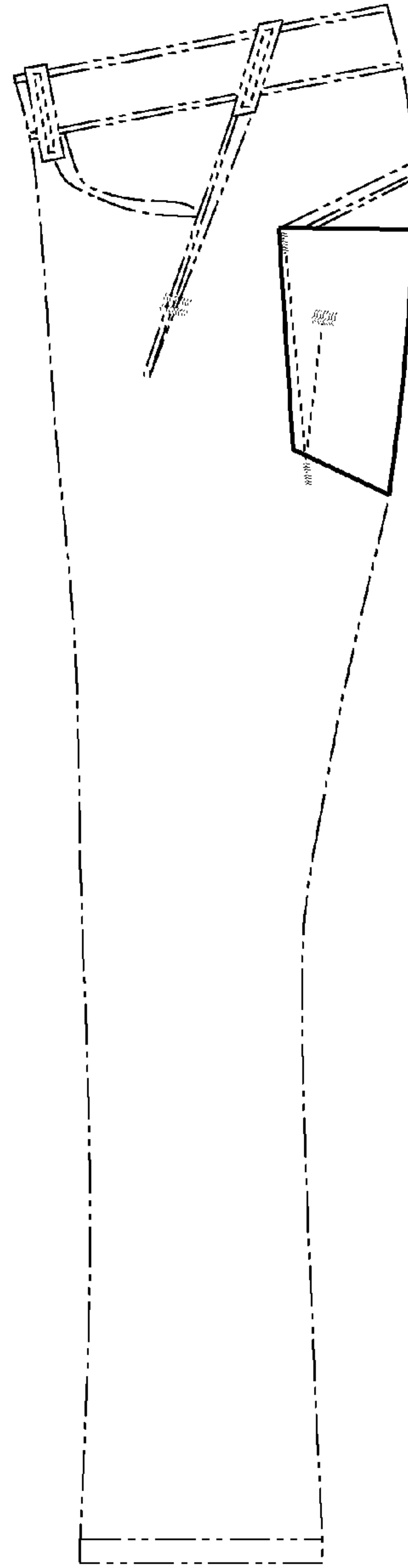


FIG. 5