



US00D669247S

(12) **United States Design Patent**  
**Rollins**

(10) **Patent No.:** **US D669,247 S**

(45) **Date of Patent:** **\*\* Oct. 23, 2012**

(54) **PANTS WITH AN AUTOMOTIVE THEME**

(76) Inventor: **Jerry Rollins**, Las Vegas, NV (US)

(\*\*) Term: **14 Years**

(21) Appl. No.: **29/419,183**

(22) Filed: **Apr. 25, 2012**

(51) **LOC (9) Cl.** ..... **02-02**

(52) **U.S. Cl.** ..... **D2/742**

(58) **Field of Classification Search** ..... D2/712,  
D2/731, 738, 742; 2/79, 227, 228, 234-238  
See application file for complete search history.

L'Union Suite. <http://lunionsuite.com/2012/04/11/celeb-style-inspiration-freida-pintos-prada-spring-2012-look/>. Apr. 2012. Dress with race car motif.\*

\* cited by examiner

*Primary Examiner* — Rashida Johnson

(74) *Attorney, Agent, or Firm* — QuickPatents; Kevin Prince

(57) **CLAIM**

I claim the ornamental design for a pants with an automotive theme, as shown and described.

(56) **References Cited**

**U.S. PATENT DOCUMENTS**

2,325,924	A *	8/1943	Terry	.....	2/227
D138,993	S	7/1944	Goldberger		
D347,517	S	6/1994	Menke		
D352,593	S	11/1994	Kline		
D364,725	S	12/1995	Farnsworth		
D425,687	S *	5/2000	Gonzalez	.....	D2/742
D459,056	S	6/2002	Serfontein		
D468,890	S	1/2003	Davis		
6,769,139	B1 *	8/2004	Goldkind	.....	2/247
D534,709	S *	1/2007	Dipietro	.....	D2/742
D561,979	S	2/2008	Eichelberger		
7,533,423	B2 *	5/2009	Rudolph	.....	2/227
D626,723	S	11/2010	Cohen		
D649,747	S	12/2011	White		
D652,199	S	1/2012	Wilson		

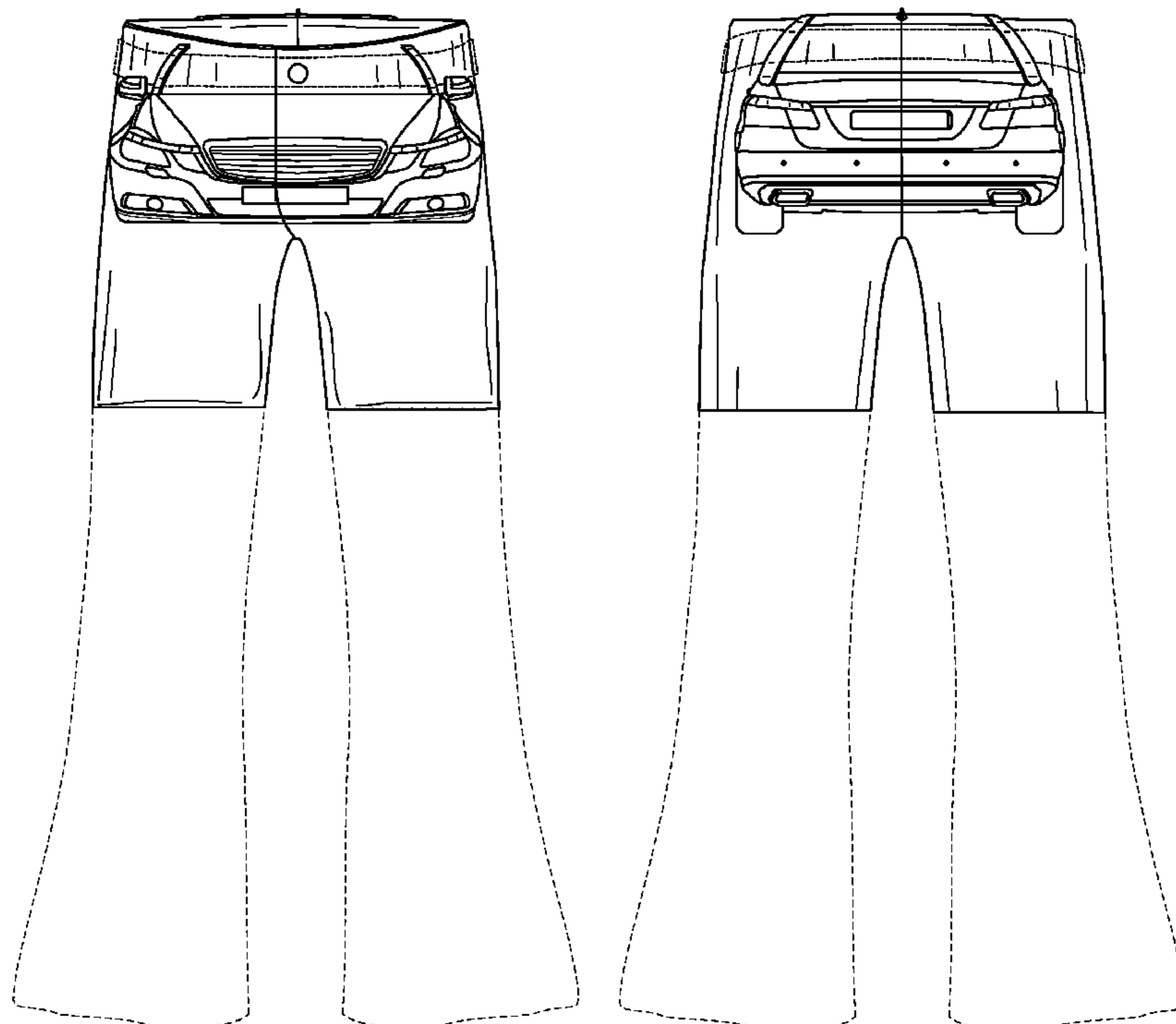
**OTHER PUBLICATIONS**

Dress Me, Mum! <http://www.dressmum.blogspot.com/>. Copyright 2009. "Boyz 3Qtr Pants with Car Motif".\*

**DESCRIPTION**

FIG. 1 is a perspective view of a pants with an automotive theme, showing my new design;  
FIG. 2 is an enlarged perspective view thereof, taken generally along lines 2-2 of FIG. 1;  
FIG. 3 is a front elevational view thereof;  
FIG. 4 is a rear elevational view thereof;  
FIG. 5 is a left-side elevational view thereof;  
FIG. 6 is a right-side elevational view thereof;  
FIG. 7 is a top plan view thereof; and,  
FIG. 8 is a bottom plan view thereof.  
The broken lines showing an item in a pocket of the design and a belt in the figures depict environmental matter and form no part of the claimed design. The broken lines showing pant legs in the drawings depict portions of the garment that form no part of the claimed design.

**1 Claim, 3 Drawing Sheets**



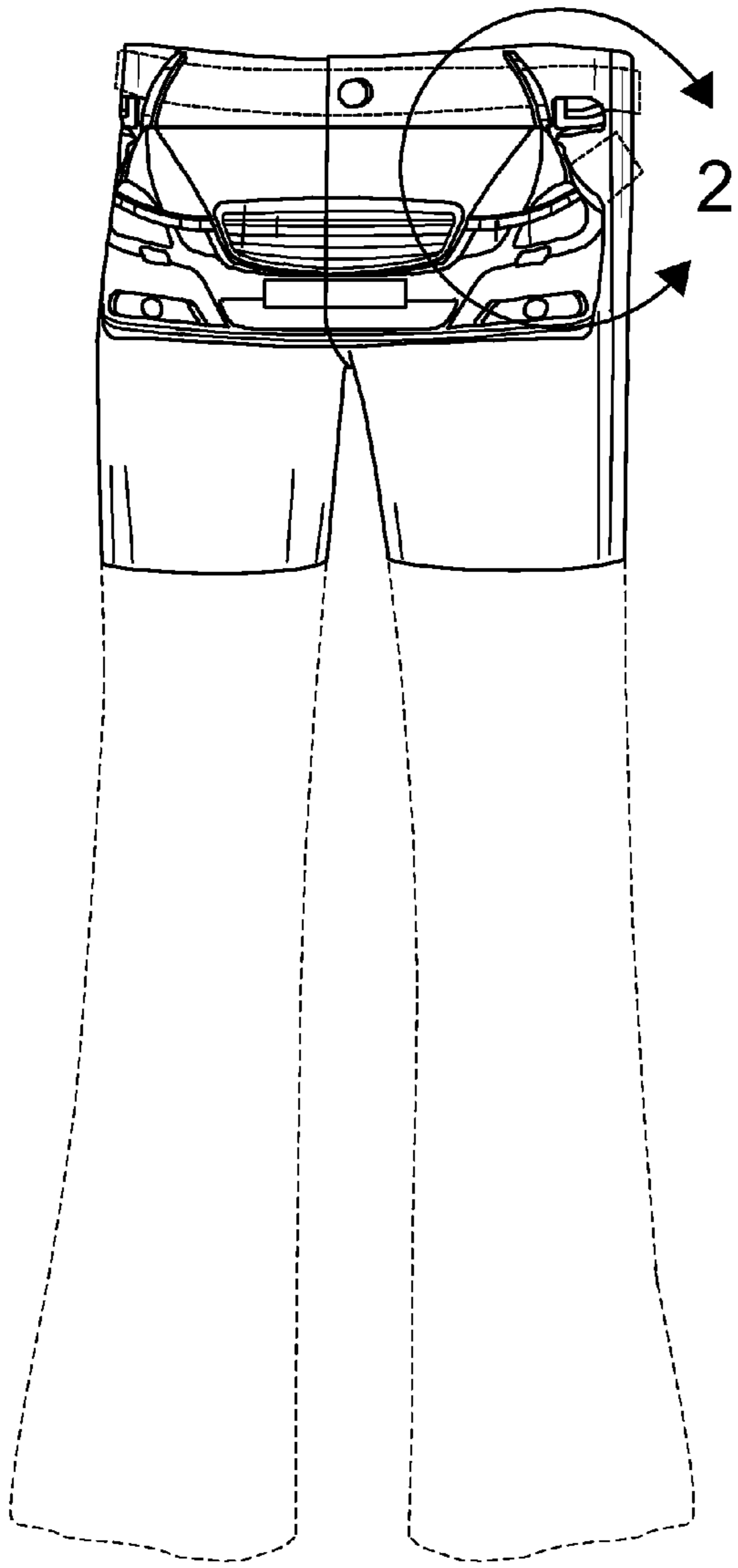


FIG. 1

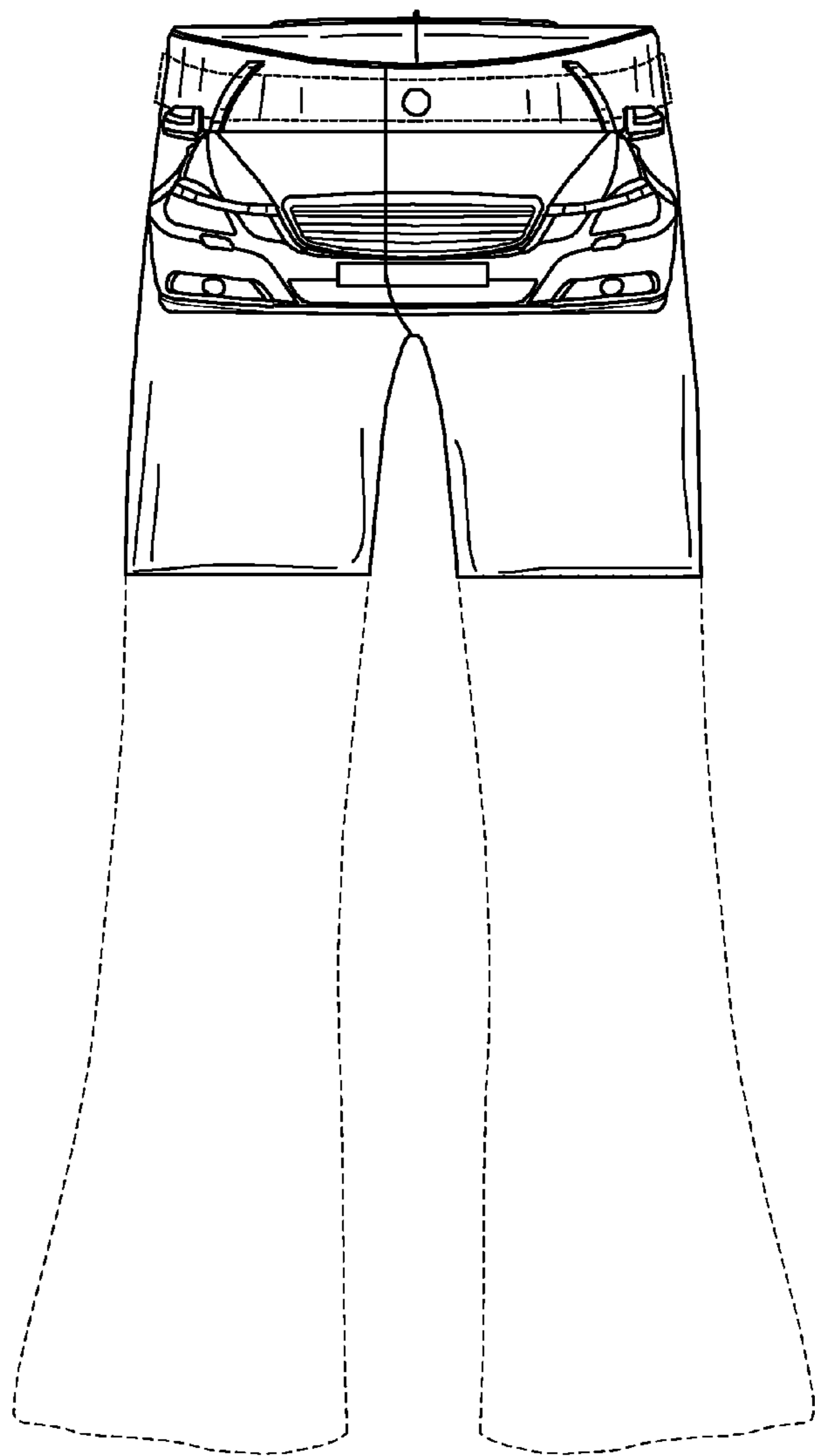


FIG. 3

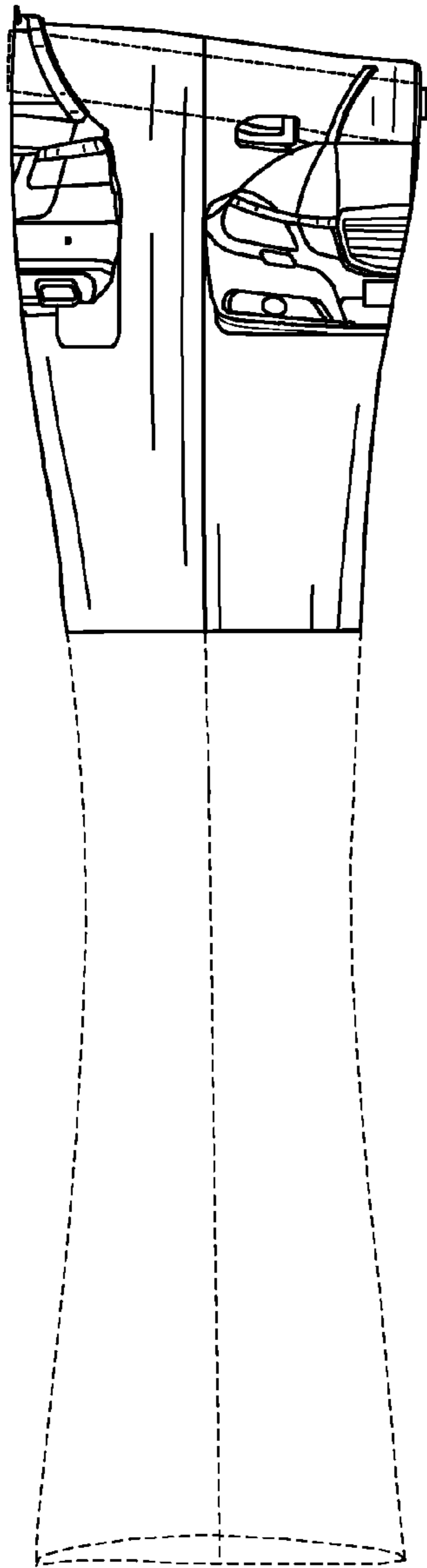


FIG. 6

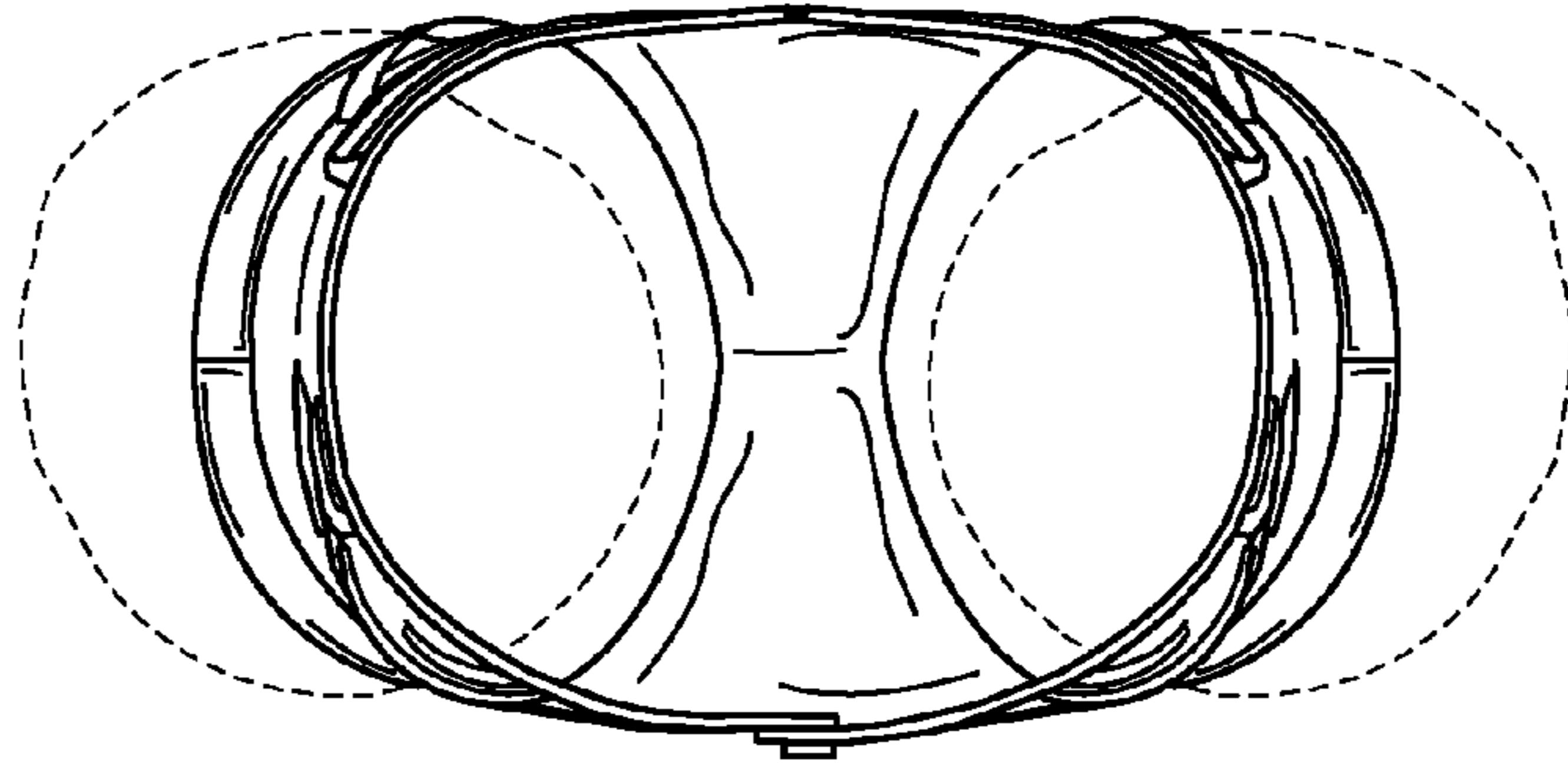


FIG. 7

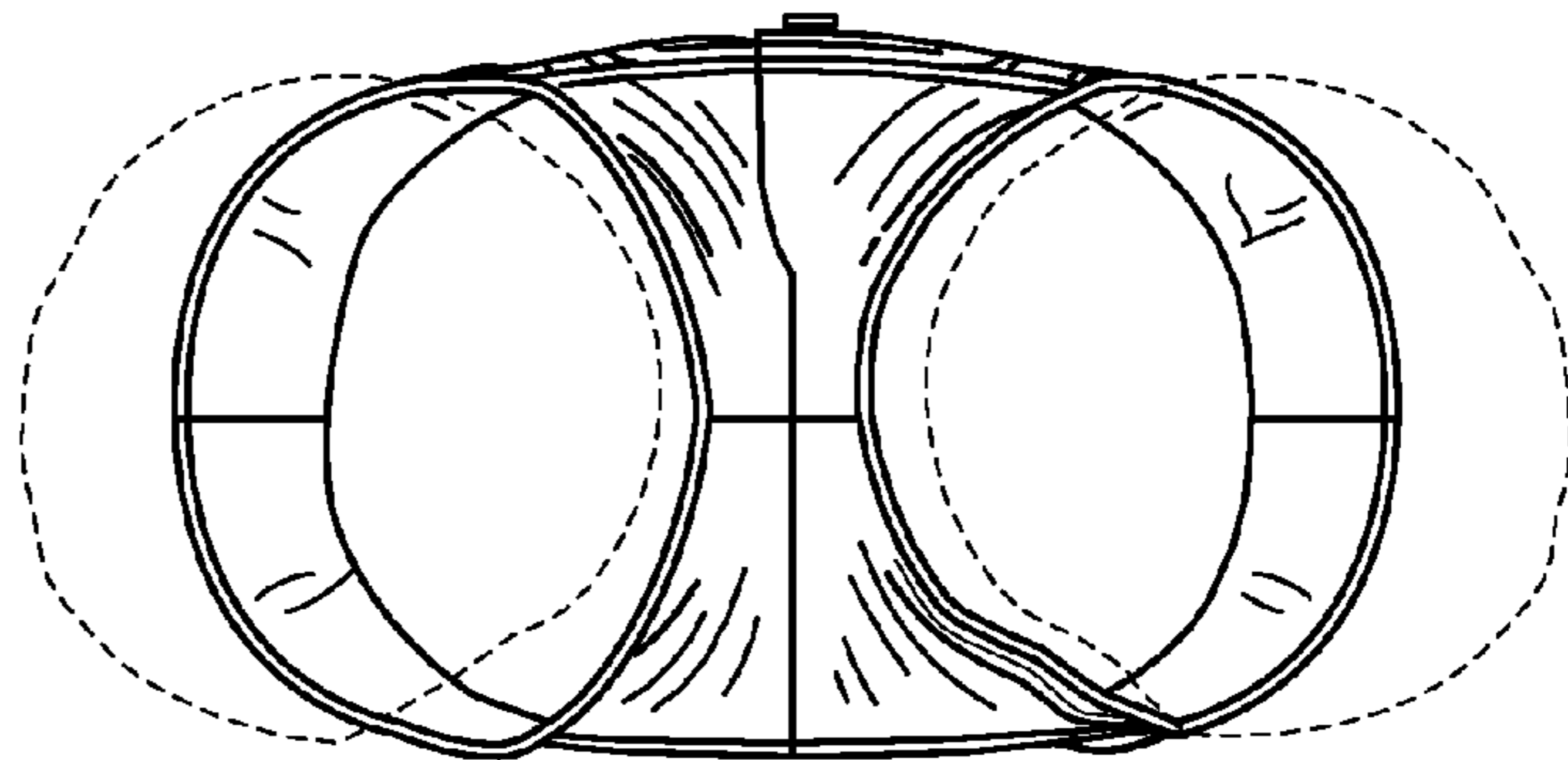


FIG. 8

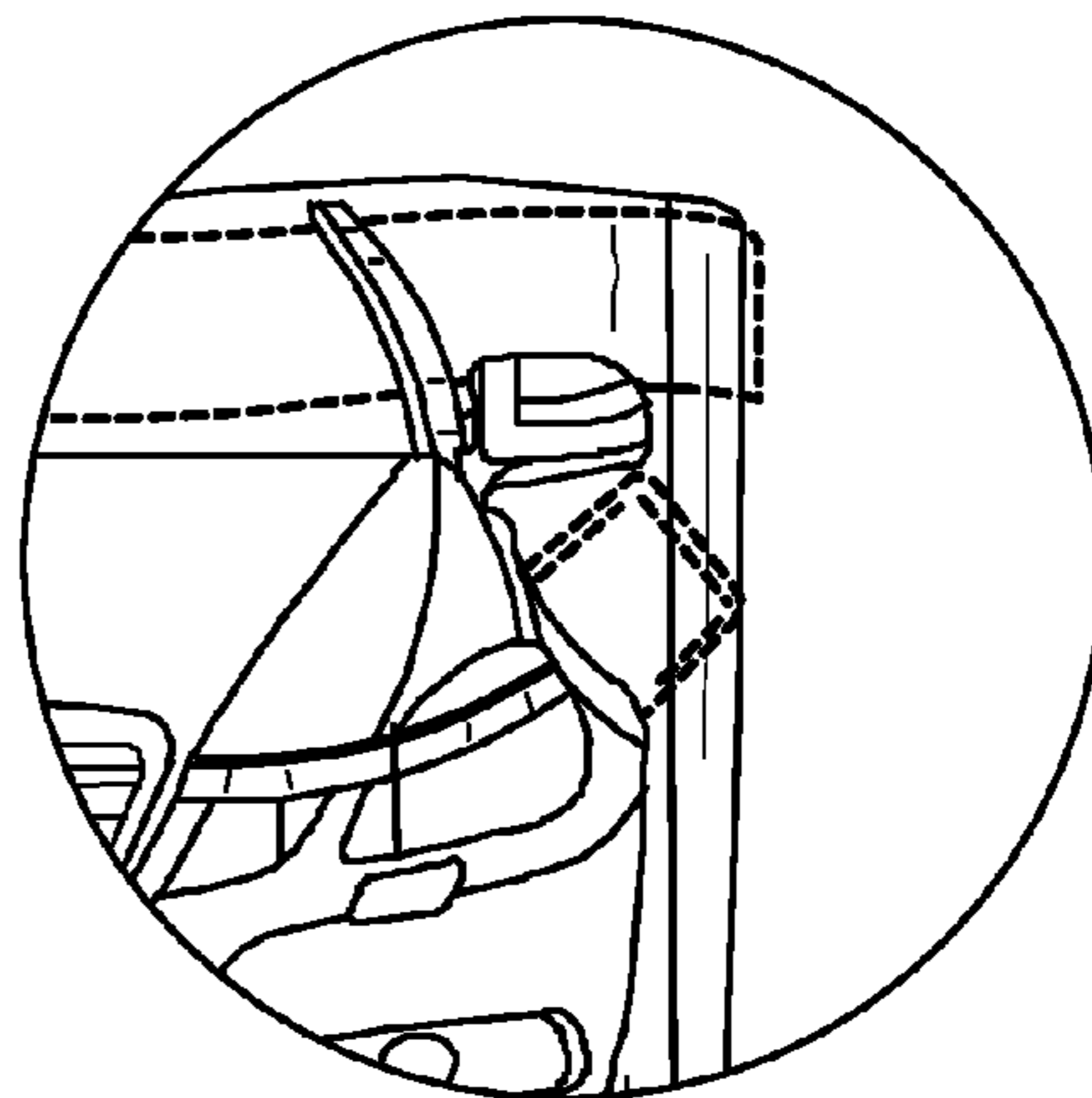


FIG. 2

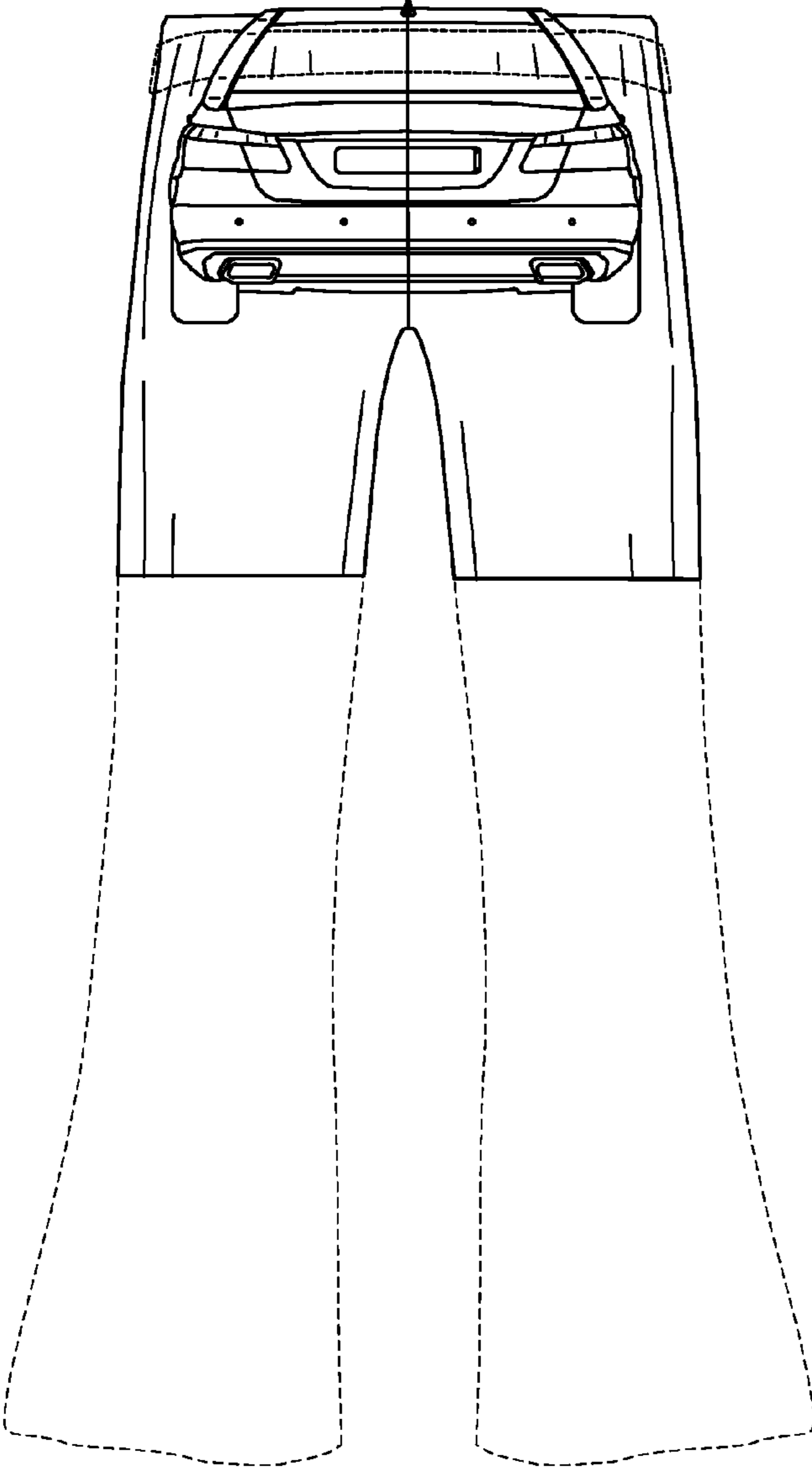


FIG. 4

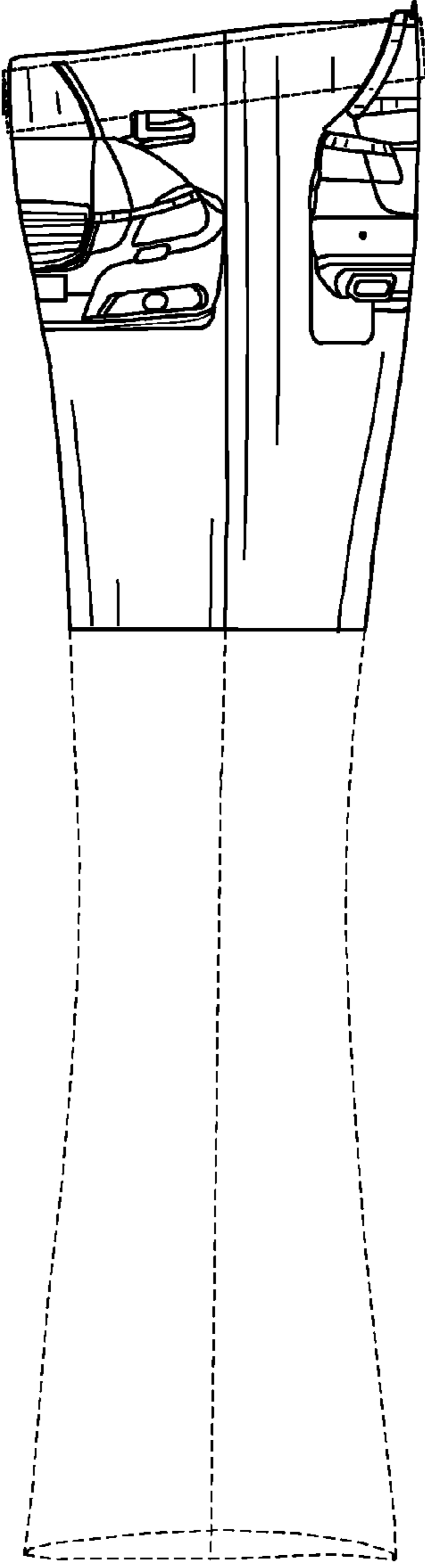


FIG. 5