

US00D669244S

(12) **United States Design Patent**
Gustafson

(10) **Patent No.:** **US D669,244 S**

(45) **Date of Patent:** **** Oct. 16, 2012**

(54) **SECURE DEPOSIT BOX**

(76) Inventor: **Kenneth Gustafson**, Jackson, CA (US)

(**) Term: **14 Years**

(21) Appl. No.: **29/388,084**

(22) Filed: **Mar. 23, 2011**

(51) **LOC (9) Cl.** **06-04**

(52) **U.S. Cl.** **D99/28**

(58) **Field of Classification Search** D99/28,
D99/34, 35, 36, 37, 43, 99; D18/3.1, 3.3,
D18/12, 12.1, 46, 47; D3/272; D20/1, 2;
D21/519; 235/379; 194/205, 206; 109/1 V,
109/1 R, 2; 217/5, 36; 206/0.8, 0.81, 0.82,
206/0.93, 0.84; 902/8, 9, 30

See application file for complete search history.

(56) **References Cited**

U.S. PATENT DOCUMENTS

2,733,830	A	*	2/1956	Ruskin	220/840
D205,641	S	*	8/1966	Roth	D99/28
D222,000	S	*	9/1971	Zanuso	D99/28
D234,704	S	*	4/1975	Frantz	D99/28
D268,063	S	*	2/1983	Chase	D99/28
D273,052	S	*	3/1984	Snodgrass	D99/28
D277,803	S	*	2/1985	Franko et al.	D99/28
D281,921	S	*	12/1985	Losi	D99/28
D302,491	S	*	8/1989	Brush et al.	D3/294
D327,793	S	*	7/1992	McGrory	D6/448
D328,399	S	*	8/1992	McGrory et al.	D6/448
D330,792	S	*	11/1992	Colley	D99/28
D335,378	S	*	5/1993	Mariol	D99/28
D360,736	S	*	7/1995	Bartholomew	D99/28
D375,608	S	*	11/1996	Berry	D99/28
D376,246	S	*	12/1996	Sugawara et al.	D99/28
D385,673	S	*	10/1997	Siler et al.	D99/28
D482,840	S	*	11/2003	Magee et al.	D99/28
D504,990	S	*	5/2005	Perella et al.	D99/28
D511,035	S	*	10/2005	Perella et al.	D99/28
D516,768	S	*	3/2006	Walker	D99/28
D516,769	S	*	3/2006	Walker	D99/28
D517,269	S	*	3/2006	Walker	D99/28
D517,770	S	*	3/2006	Walker	D99/28

D569,073	S	*	5/2008	Osiecki et al.	D99/28
D574,125	S	*	7/2008	Gunst et al.	D99/34
D586,975	S	*	2/2009	Knox	D99/28
D617,525	S	*	6/2010	Taylor et al.	D99/28
D619,775	S	*	7/2010	Pendleton	D99/28
D620,675	S	*	7/2010	Doettling	D99/28
D623,824	S	*	9/2010	Pendleton	D99/28
D624,275	S	*	9/2010	Min	D99/28

(Continued)

Primary Examiner — Elizabeth J Oswecki

(74) *Attorney, Agent, or Firm* — QuickPatents, Inc.; Kevin Prince

(57) **CLAIM**

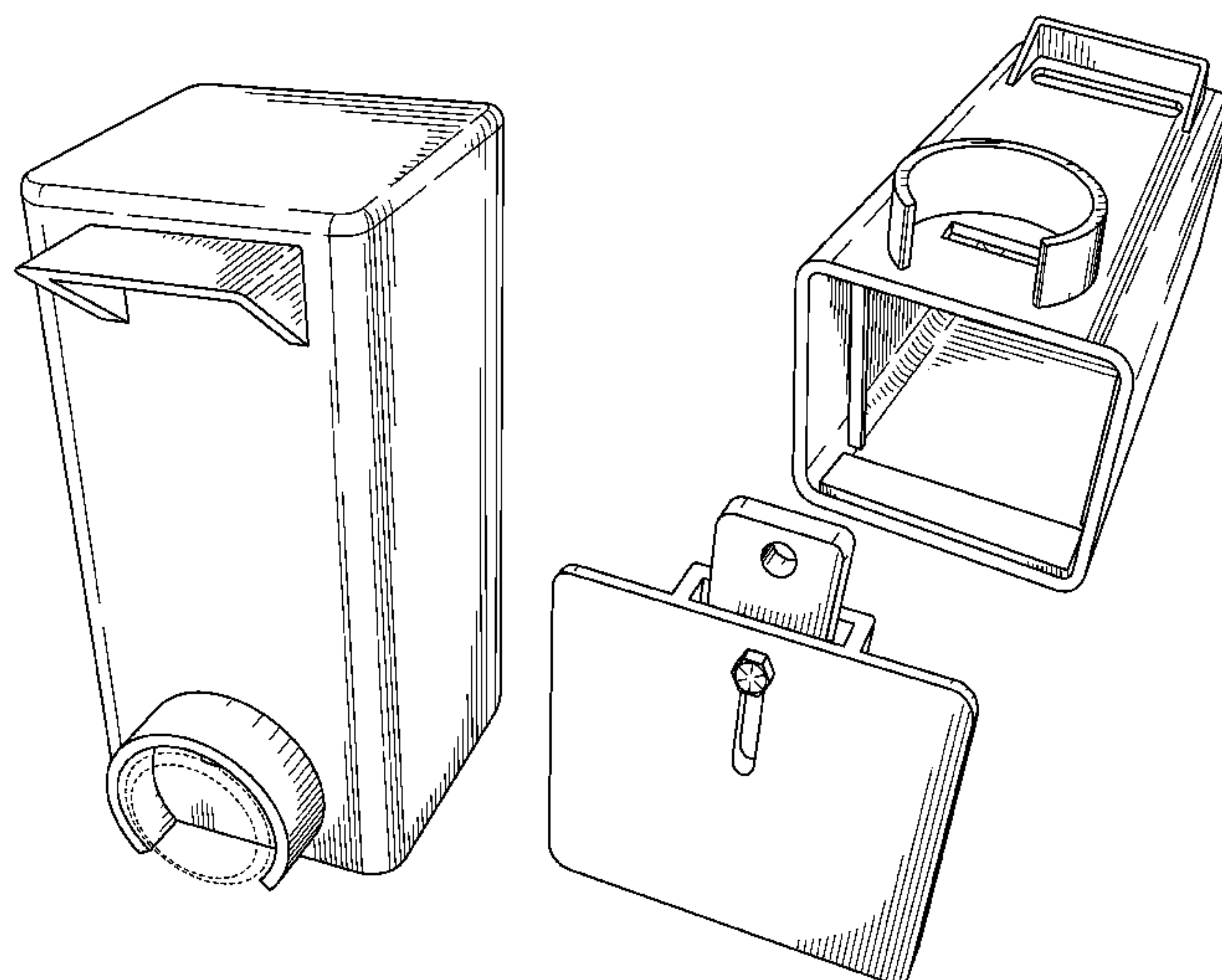
The ornamental design for a secure deposit box, as shown and described.

DESCRIPTION

FIG. 1 is a perspective view of a secure deposit box, showing my new design;
 FIG. 2 is a front elevational view thereof;
 FIG. 3 is a rear elevational view thereof;
 FIG. 4 is a left-side elevational view thereof, the right-side elevational view being a mirror image thereof;
 FIG. 5 is a top plan view thereof;
 FIG. 6 is a bottom plan view thereof, a lock bolt thereof in a retracted position;
 FIG. 7 is a bottom plan view thereof, the lock bolt in an extended position;
 FIG. 8 is an exploded bottom perspective view, with lid removed and the lock bolt in an extended position;
 FIG. 9 is an exploded bottom perspective view, with lid removed illustrating the interior of the lid of FIG. 8, and the lock bolt in an extended position; and,
 FIG. 10 is an exploded bottom perspective view, with lid removed illustrating the interior of the lid of FIG. 8, and the lock bolt in a retracted position.

In the drawings, the broken lines of a puck lock in FIG. 1 depict portions of the design that form no part of the claim.

1 Claim, 8 Drawing Sheets



US D669,244 S

Page 2

U.S. PATENT DOCUMENTS

D635,324 S *	3/2011	Plato	D99/28	2006/0137949 A1*	6/2006	Levinson et al.	190/18 A
2002/0062767 A1*	5/2002	Walker	109/67	2008/0229983 A1*	9/2008	Pendleton	109/45
2003/0141794 A1*	7/2003	Cleveland et al.	312/409	* cited by examiner			

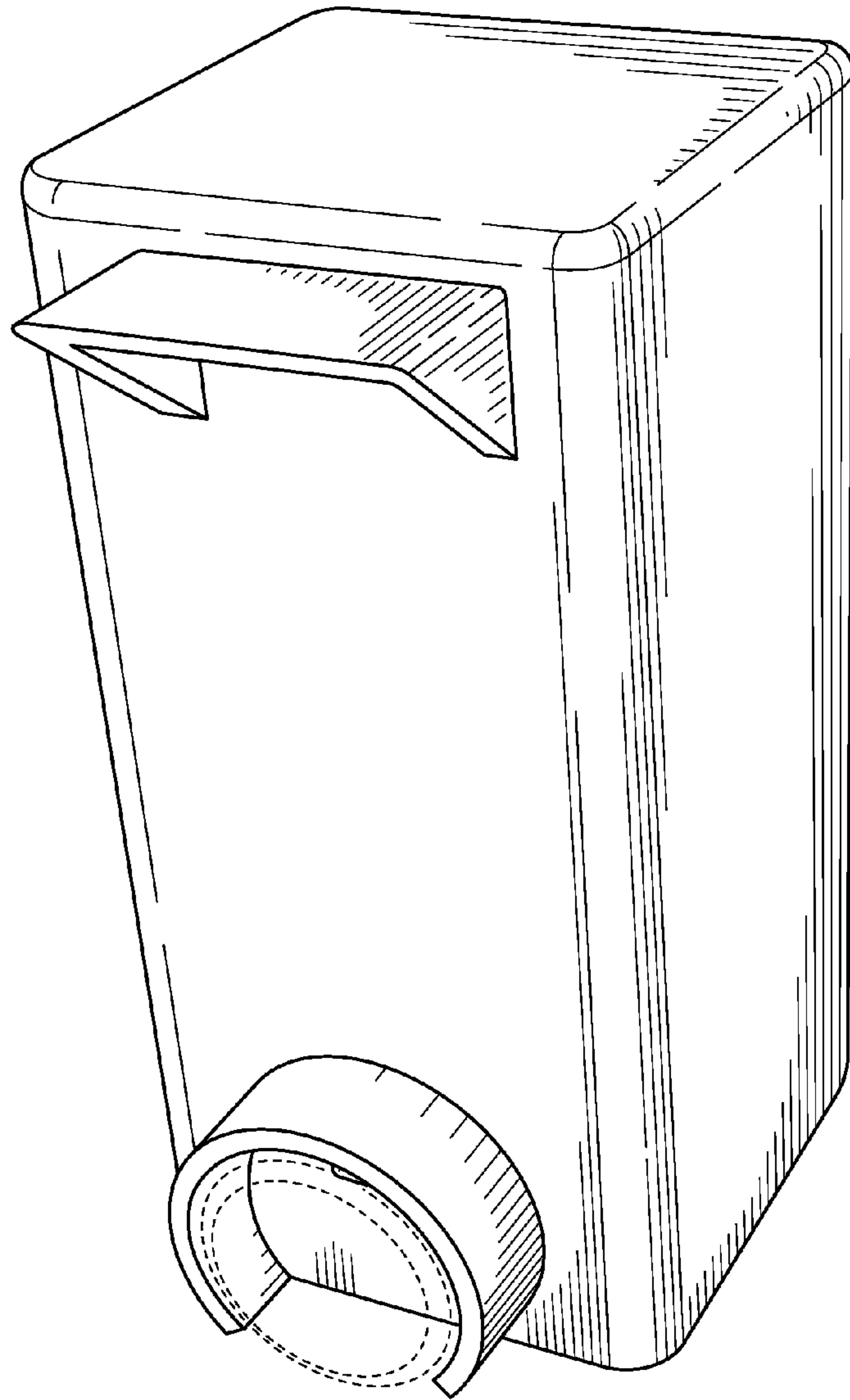


FIG. 1

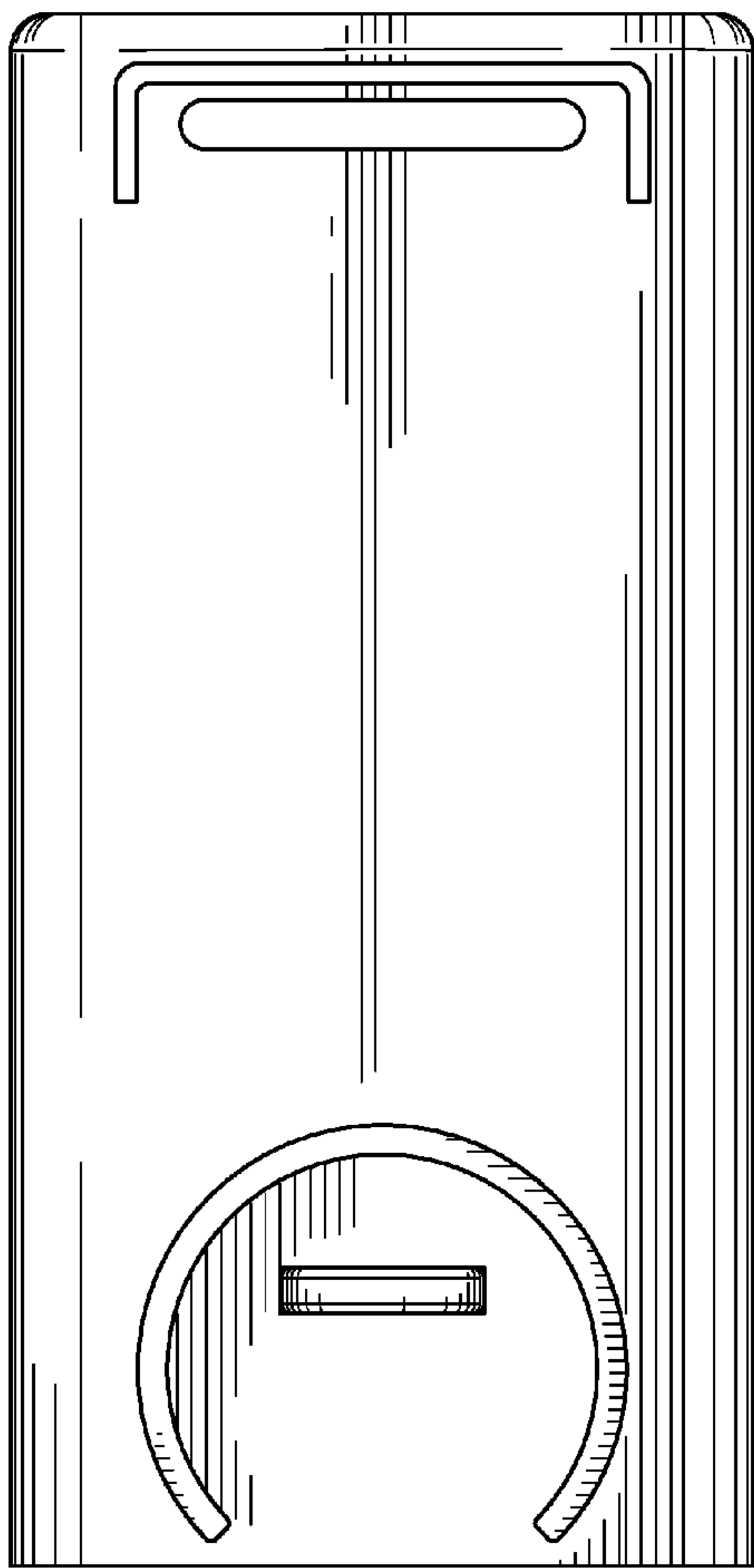


FIG. 2

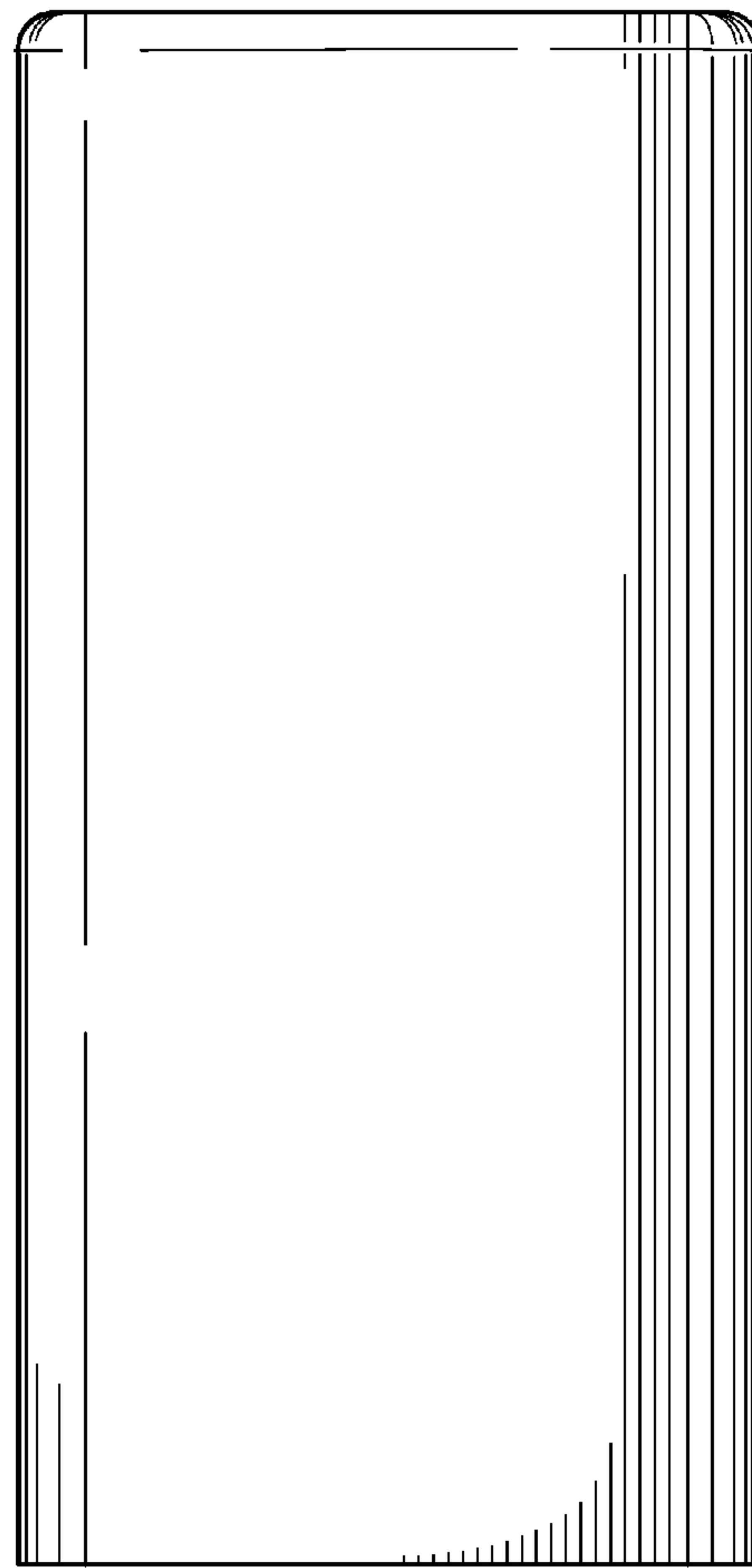


FIG. 3

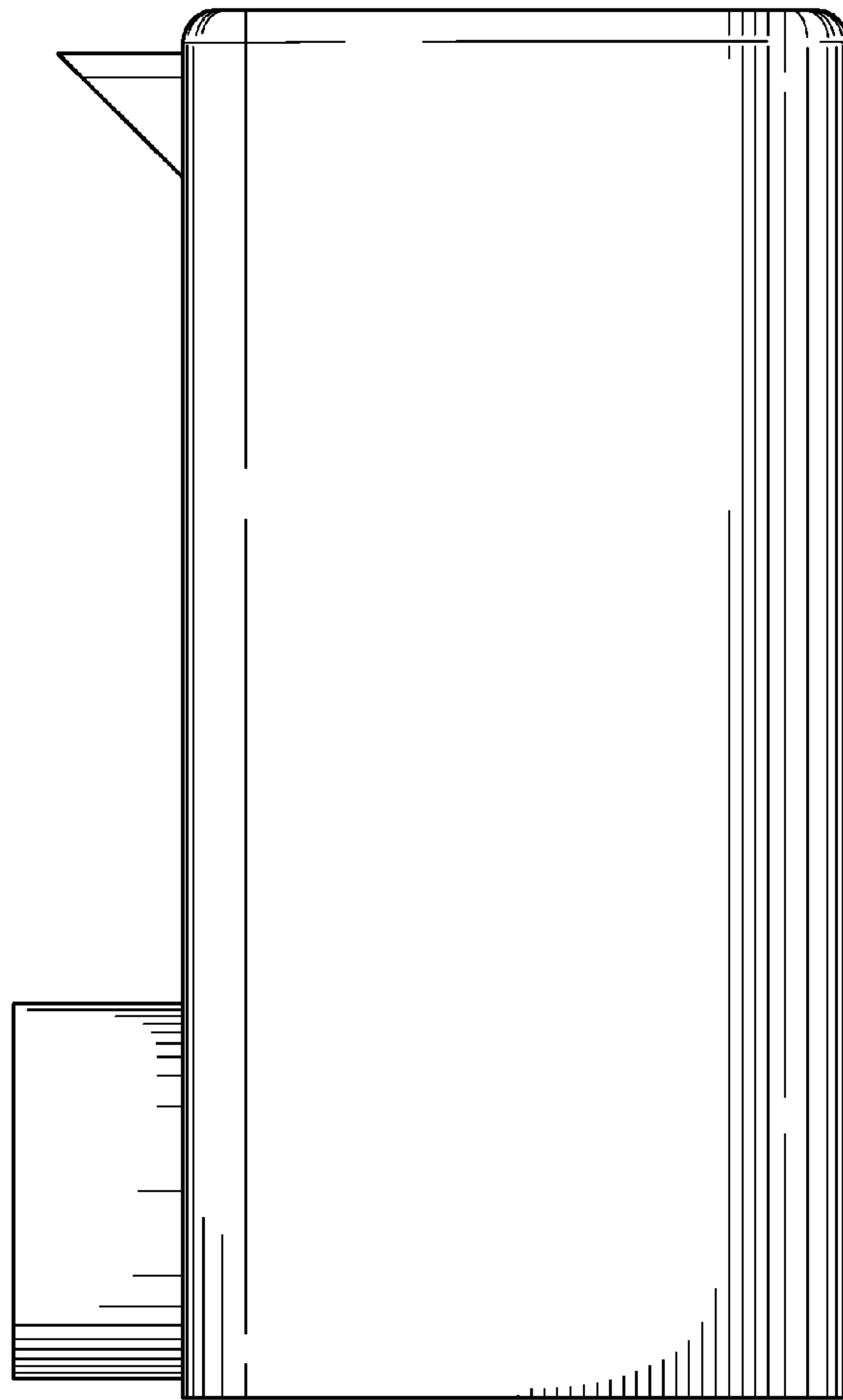


FIG. 4

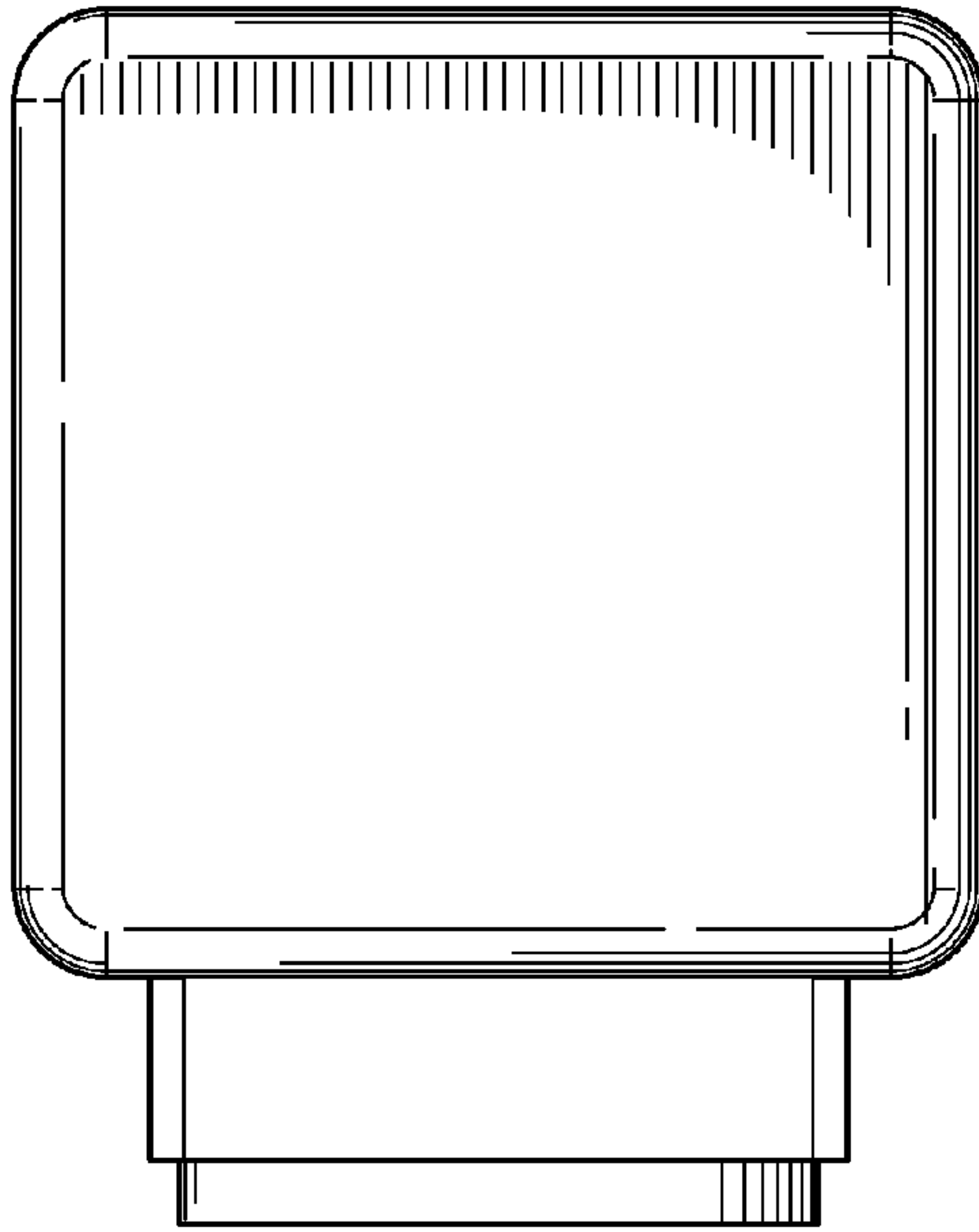


FIG. 5

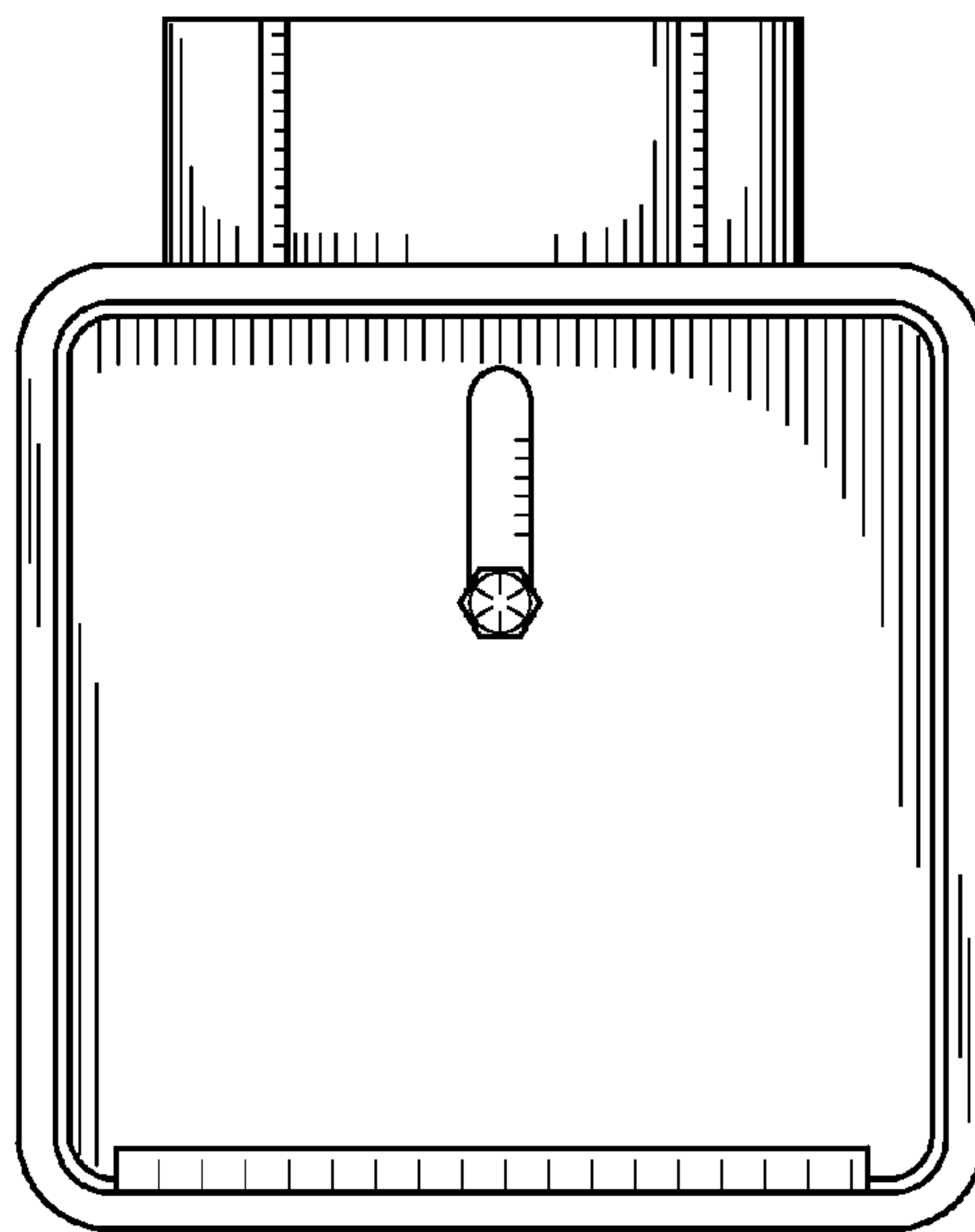


FIG. 6

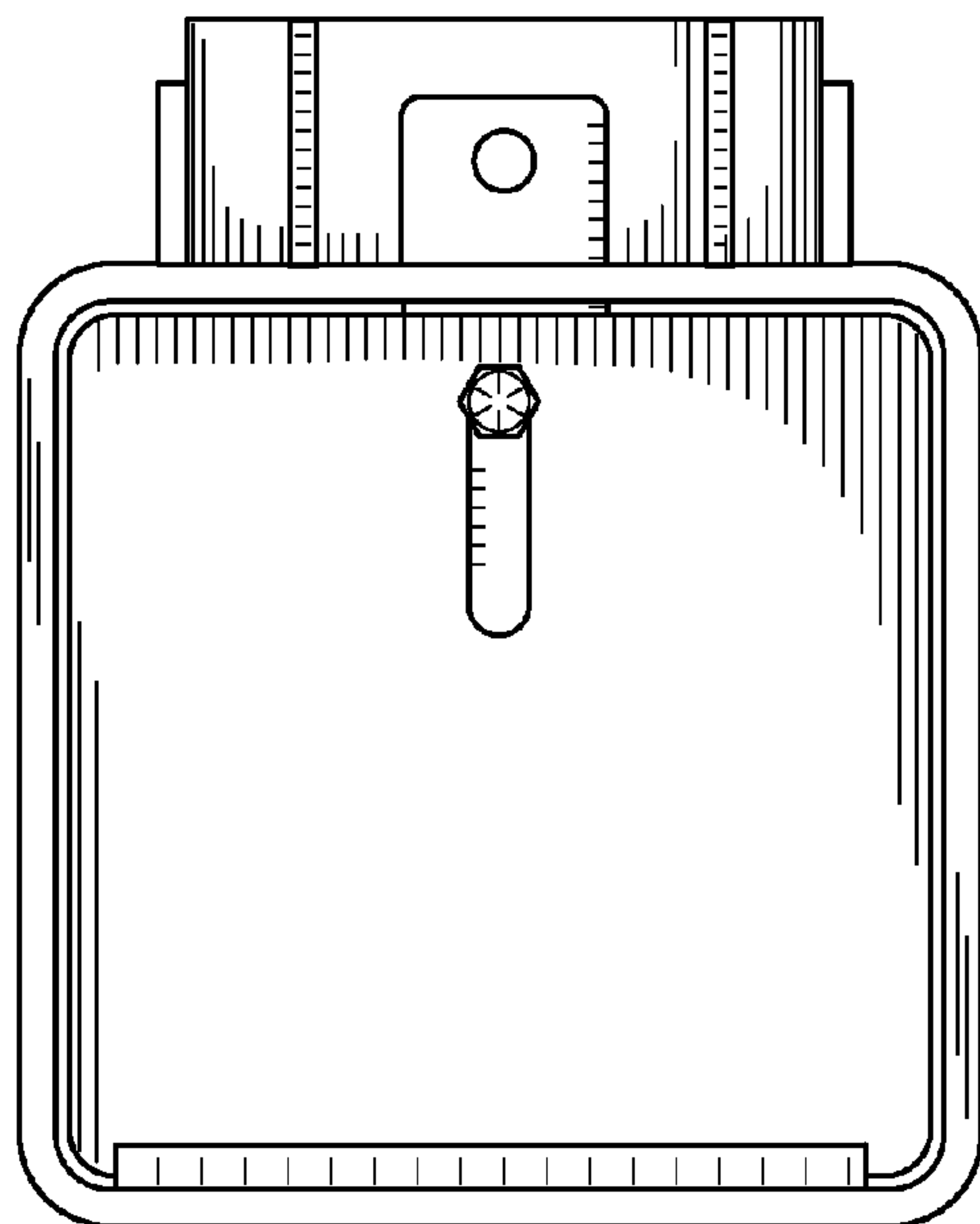


FIG. 7

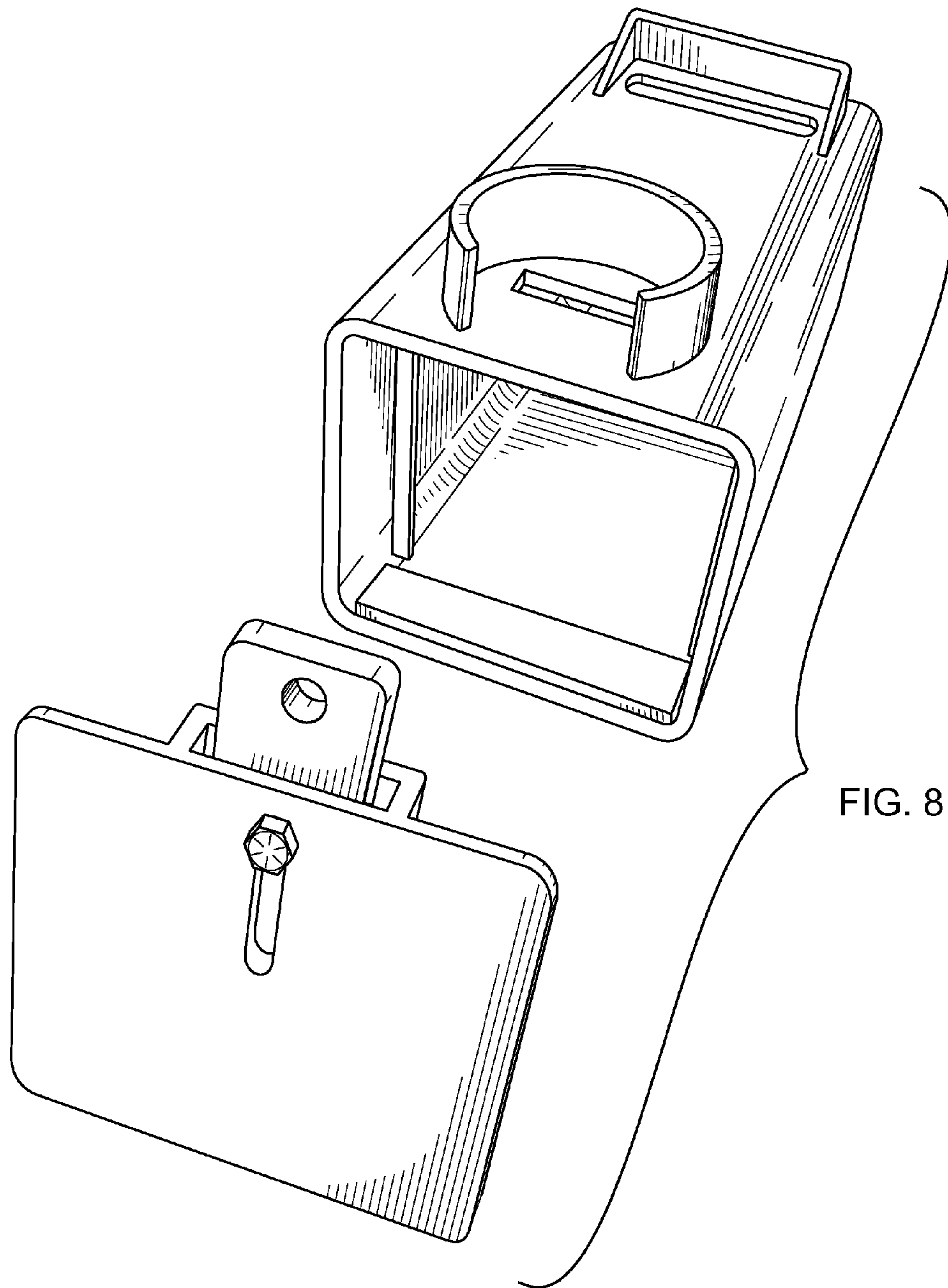


FIG. 8

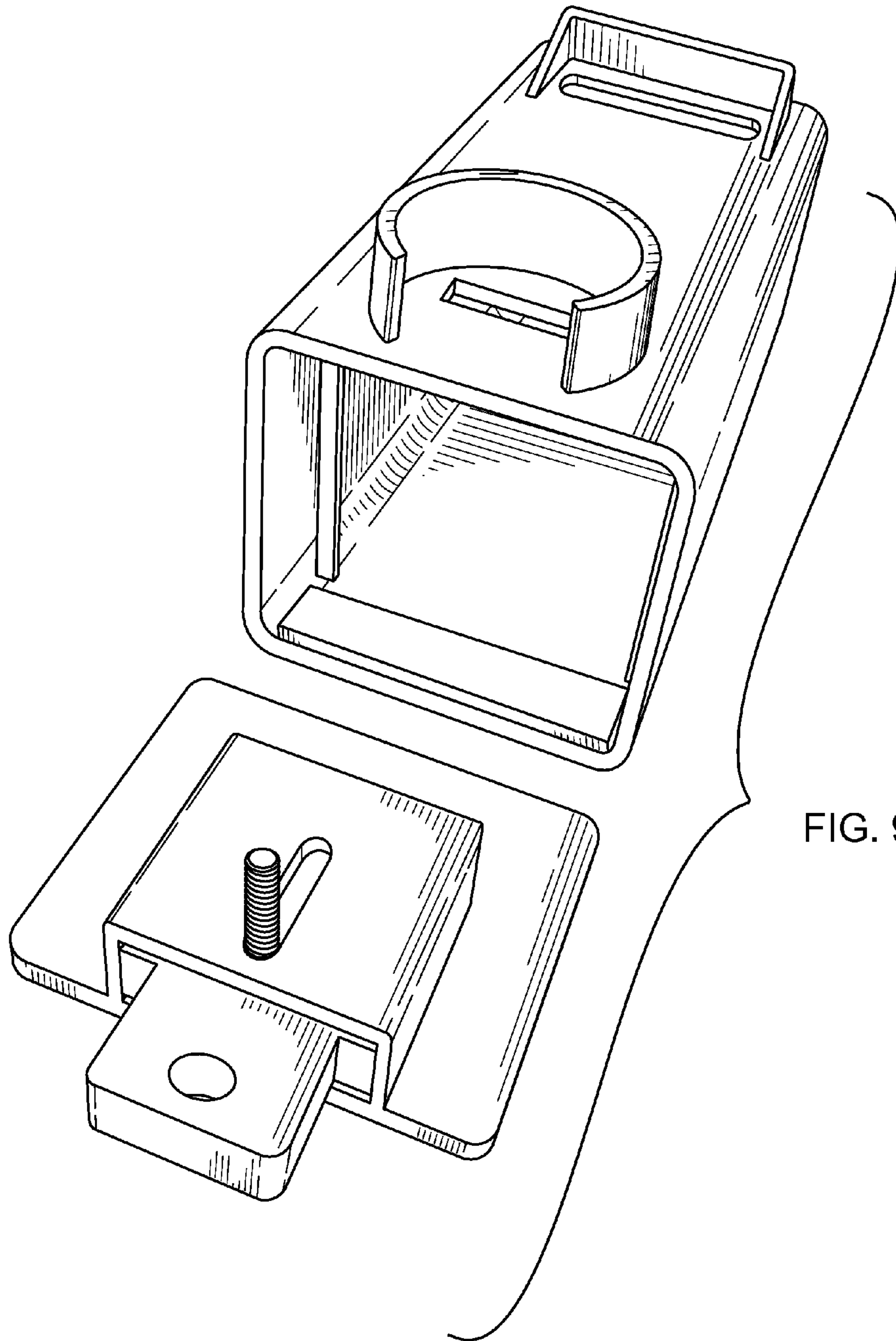


FIG. 9

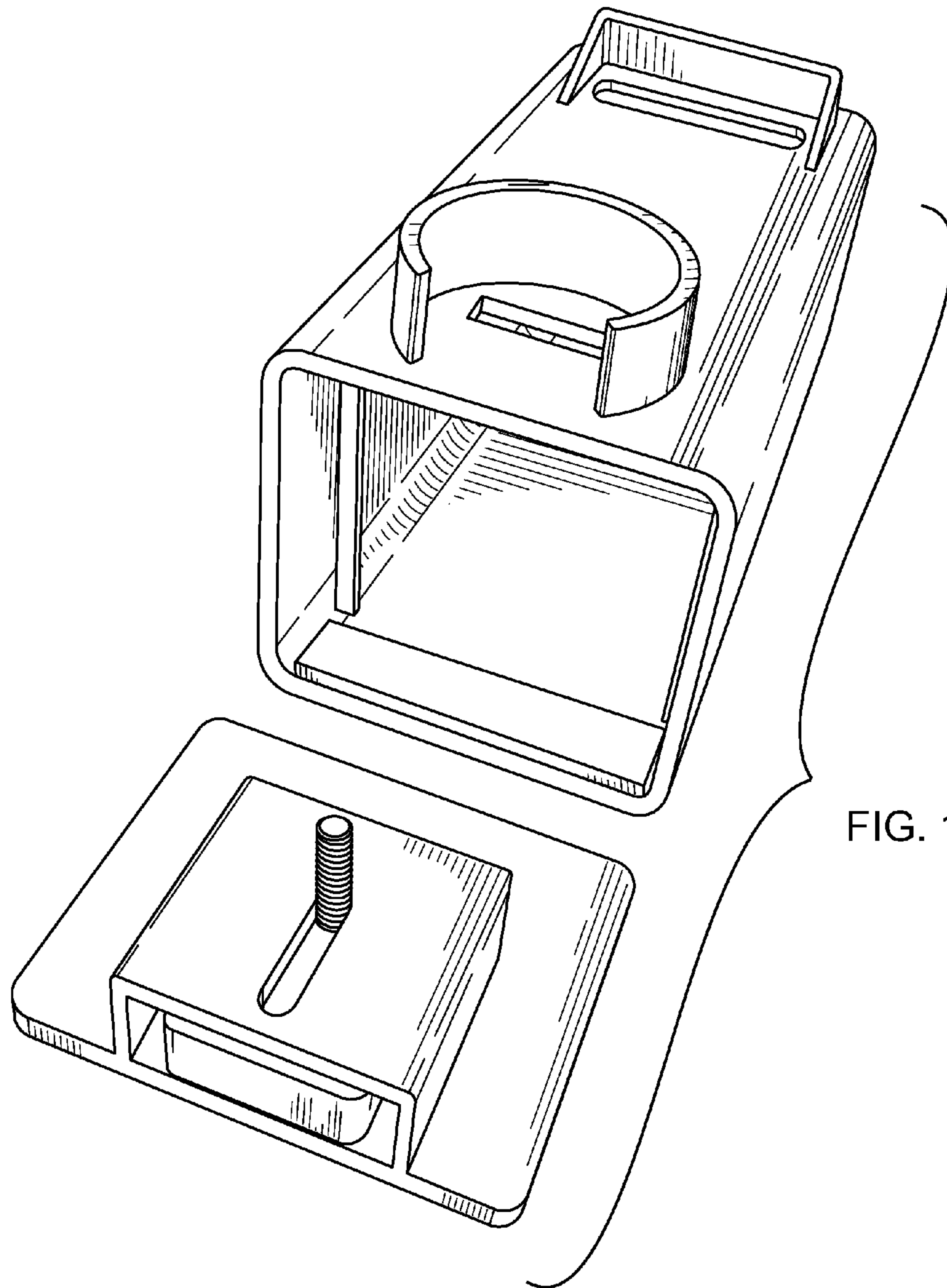


FIG. 10