

US00D669240S

(12) **United States Design Patent**
Staves

(10) **Patent No.:** **US D669,240 S**

(45) **Date of Patent:** **** Oct. 16, 2012**

(54) **WASTE RECEPTACLE WITH BAG DISPENSER**

(76) Inventor: **Valerie Staves, Hope (CA)**

(**) Term: **14 Years**

(21) Appl. No.: **29/387,521**

(22) Filed: **Mar. 14, 2011**

(51) **LOC (9) Cl.** **09-09**

(52) **U.S. Cl.** **D34/5**

(58) **Field of Classification Search** D34/1-11;
220/908-911; 248/95, 97, 99, 129, 174;
D6/556

See application file for complete search history.

(56) **References Cited**

U.S. PATENT DOCUMENTS

2,503,531	A *	4/1950	Welter	211/85.19
2,802,673	A *	8/1957	Hazlett	280/47.24
3,079,119	A *	2/1963	Brooks	248/146
3,105,594	A *	10/1963	Ewers	211/72
3,190,454	A *	6/1965	Brooks	211/85.21
3,224,595	A *	12/1965	Sherley	211/83
3,227,284	A *	1/1966	Smith	211/85.19
3,288,305	A *	11/1966	Bryant et al.	211/85.19
3,788,583	A *	1/1974	Byrd	248/146
3,908,853	A *	9/1975	Keesling	220/475
D248,364	S *	7/1978	Allen	D34/6
5,139,299	A *	8/1992	Smith	294/159

6,805,366	B1 *	10/2004	Seara	280/47.26
7,014,199	B2 *	3/2006	Hendzel	280/47.35
D520,702	S *	5/2006	Miller	D34/1
D552,821	S *	10/2007	Habib	D34/5

* cited by examiner

Primary Examiner — Cynthia Ramirez

(74) *Attorney, Agent, or Firm* — Island IP Law; Stephen R. Burri

(57) **CLAIM**

The ornamental design for a waste receptacle with bag dispenser, as shown and described.

DESCRIPTION

FIG. 1 is a front perspective view showing the lids of the unitary waste receptacle and bag dispenser in a closed position;

FIG. 2 is a front perspective view showing the lids of the unitary waste receptacle and bag dispenser in an open position;

FIG. 3 is an environmental view;

FIG. 4 is a top plan view;

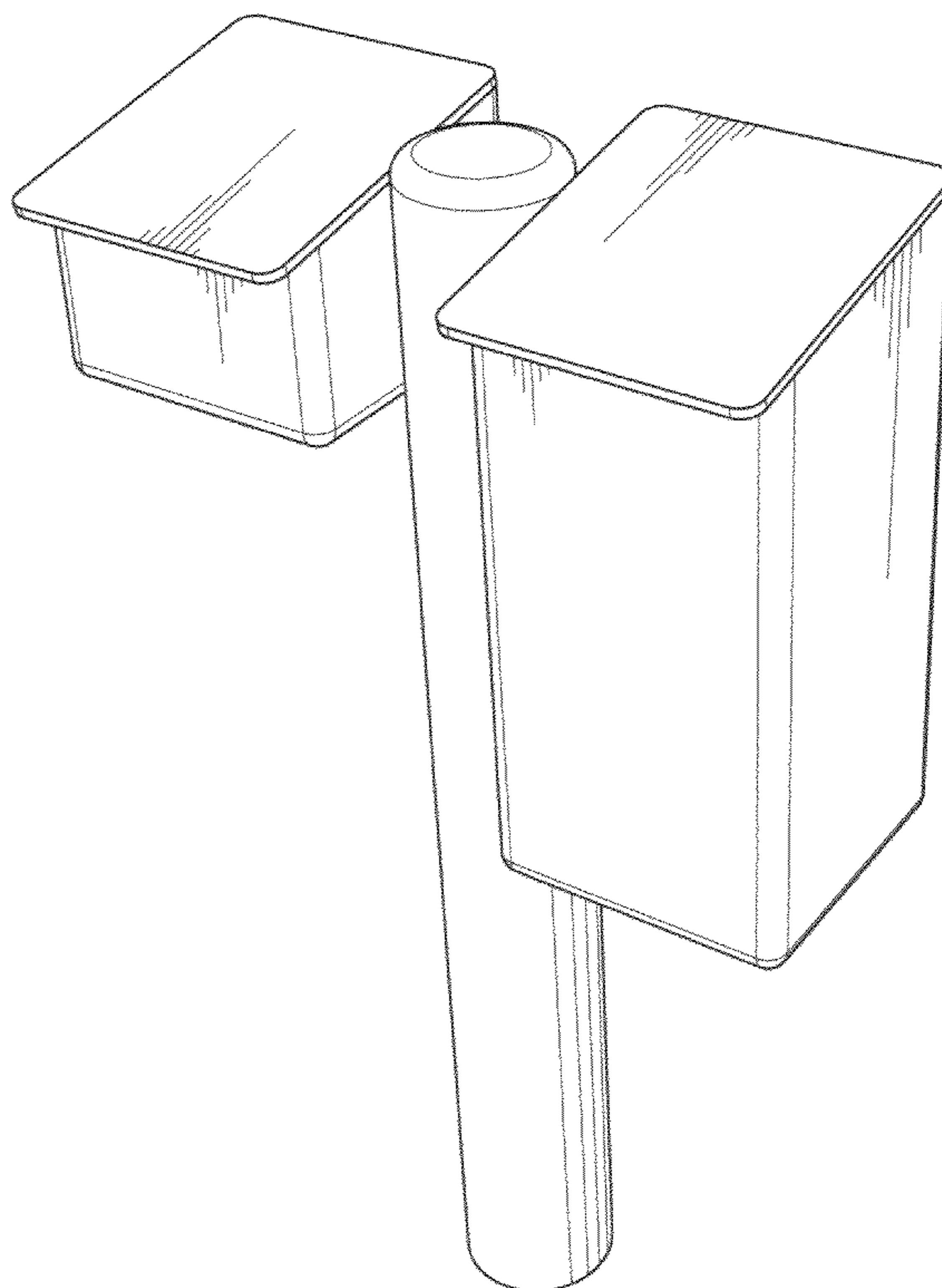
FIG. 5 is a right side plan view;

FIG. 6 is a rear plan view; and,

FIG. 7 is a left side plan view.

The portions shown in FIG. 3 in stippled lines represent environment and do not form part of the design.

1 Claim, 4 Drawing Sheets



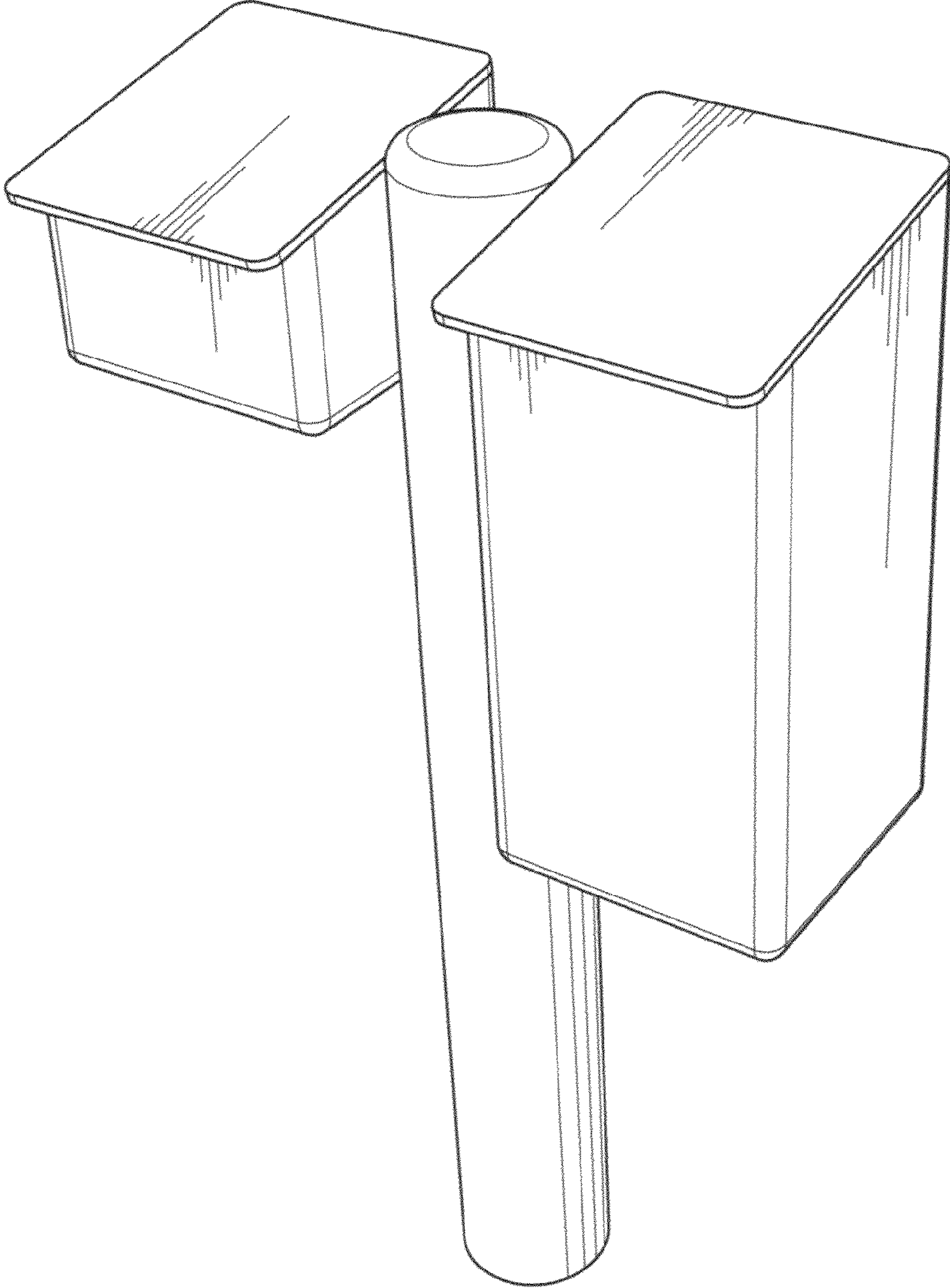


FIG. 1

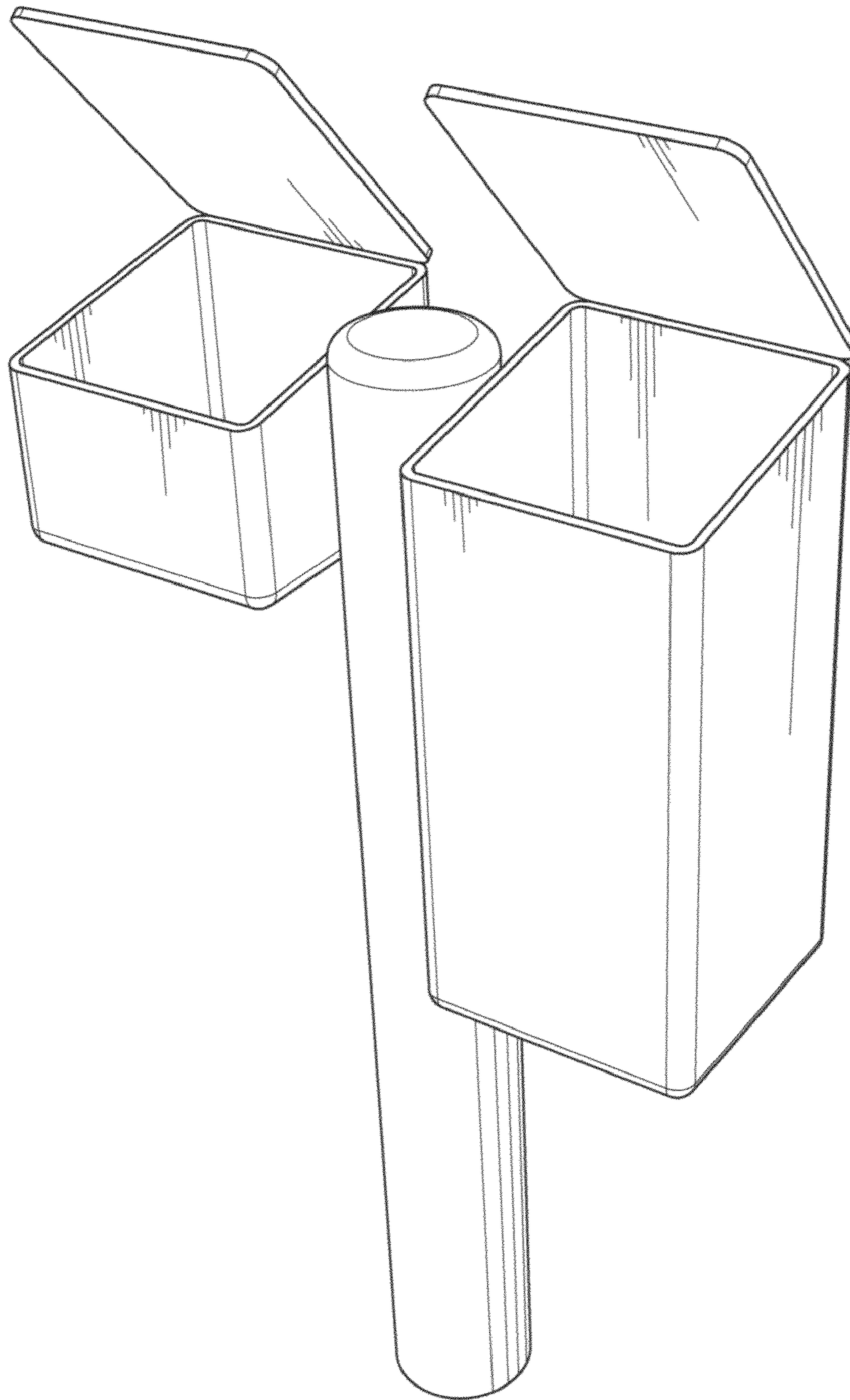


FIG. 2

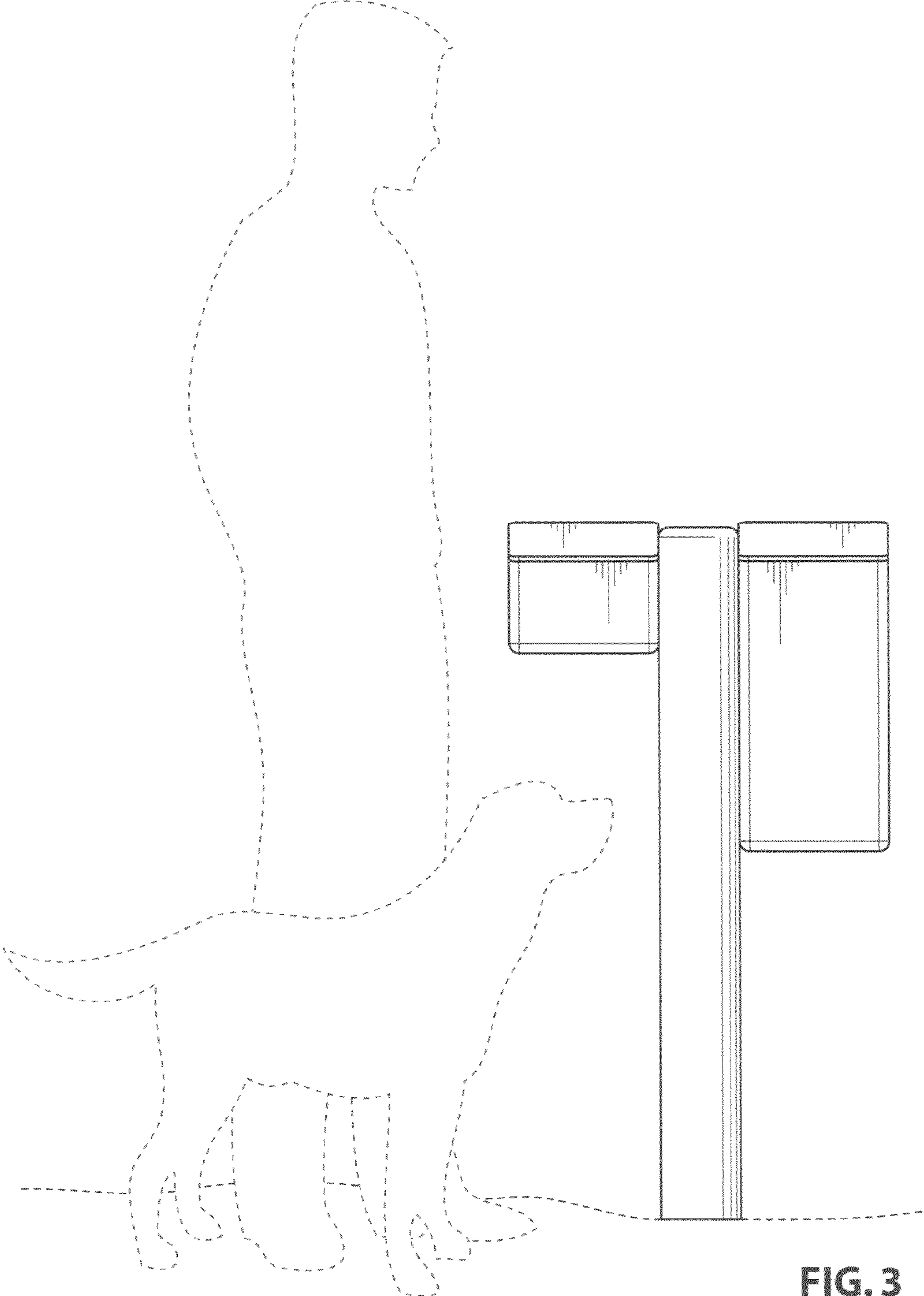


FIG. 3

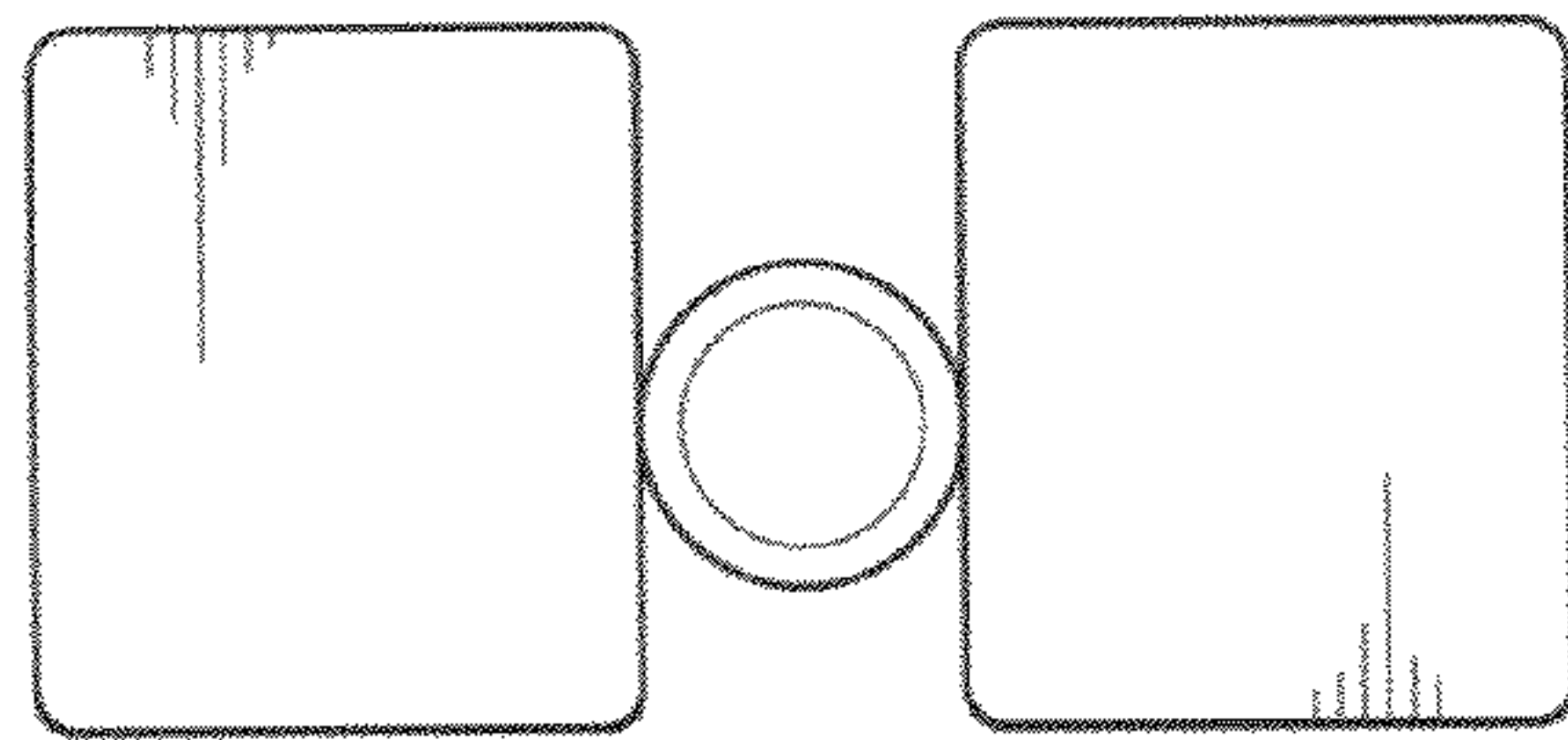


FIG. 4

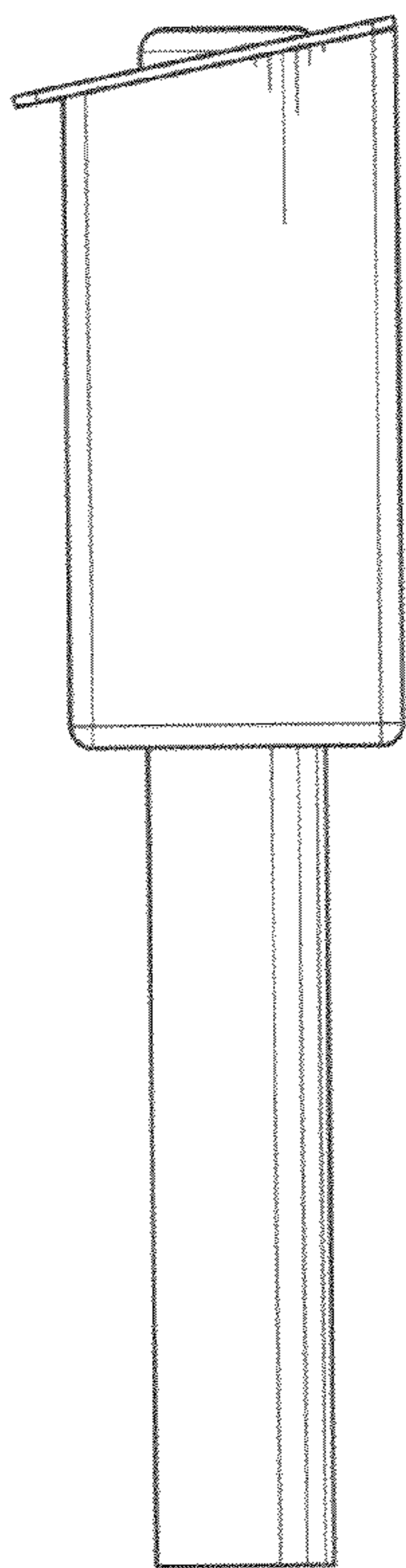


FIG. 5

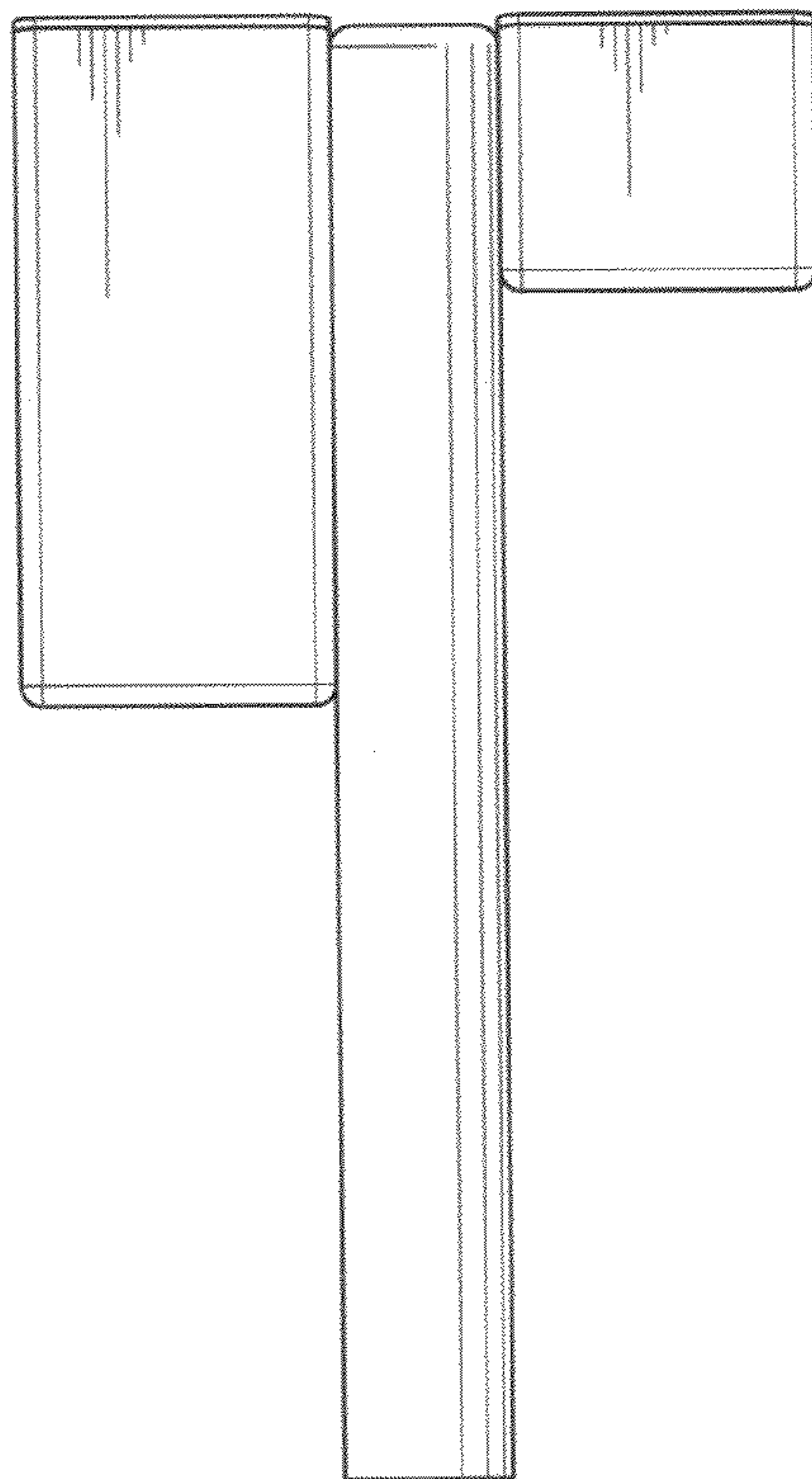


FIG. 6

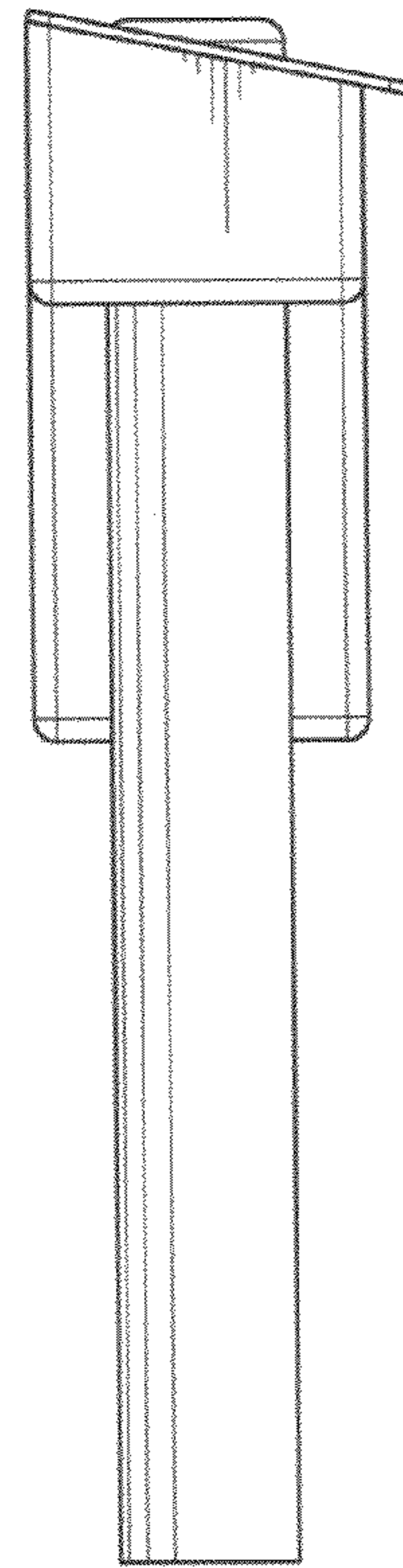


FIG. 7