



US00D669238S

(12) **United States Design Patent**  
**Ahn**

(10) **Patent No.:** **US D669,238 S**

(45) **Date of Patent:** **\*\* Oct. 16, 2012**

(54) **NOZZLE FOR VACUUM CLEANERS**

(75) Inventor: **Jeong Hoon Ahn, Yongin-si (KR)**

(73) Assignee: **LG Electronics Inc., Seoul (KR)**

(\*\*) Term: **14 Years**

(21) Appl. No.: **29/383,444**

(22) Filed: **Jan. 18, 2011**

(51) **LOC (9) Cl.** ..... **15-05**

(52) **U.S. Cl.** ..... **D32/33**

(58) **Field of Classification Search** ..... D32/31-33,  
D32/25; 15/329, 337, 338, 415.1, 416-422,  
15/422.1, 93.1, 246.2, 322, 350-354, 361-363,  
15/366, 378, 400-401, 414

See application file for complete search history.

(56) **References Cited**

**U.S. PATENT DOCUMENTS**

D456,967	S	*	5/2002	Santiago	.....	D32/32
D457,696	S	*	5/2002	Worwag	.....	D32/32
D487,827	S	*	3/2004	Iike et al.	.....	D32/32
D487,828	S	*	3/2004	Iike et al.	.....	D32/32
D511,231	S	*	11/2005	Langham et al.	.....	D32/33
D515,756	S	*	2/2006	Allard et al.	.....	D32/32
D541,499	S	*	4/2007	Proud et al.	.....	D32/32
D565,264	S	*	3/2008	Buschi	.....	D32/32
D590,554	S	*	4/2009	Griffin	.....	D32/32
D599,514	S	*	9/2009	Knox et al.	.....	D32/32
D600,869	S	*	9/2009	Dyson et al.	.....	D32/32

D616,164	S	*	5/2010	McLeod et al.	.....	D32/32
D621,108	S	*	8/2010	Santiago	.....	D32/32
D621,111	S	*	8/2010	Kim	.....	D32/32
D649,725	S	*	11/2011	Fjellman	.....	D32/32
2010/0306957	A1	*	12/2010	Follows et al.	.....	15/363
2011/0214252	A1	*	9/2011	McLeod et al.	.....	15/415.1

\* cited by examiner

*Primary Examiner* — Ruth McInroy

(74) *Attorney, Agent, or Firm* — Birch, Stewart, Kolasch & Birch, LLP

(57) **CLAIM**

I claim the ornamental design for a nozzle for vacuum cleaners, as shown and described.

**DESCRIPTION**

FIG. 1 is a perspective view of a nozzle for vacuum cleaners showing my new design:

FIG. 2 is a front elevation view thereof;

FIG. 3 is a rear elevation view thereof;

FIG. 4 is a left-side elevation view thereof;

FIG. 5 is a right-side elevation view thereof;

FIG. 6 is a top plan view thereof; and,

FIG. 7 is a bottom plan view thereof.

The broken lines shown are included for the purpose of illustrating the unclaimed portions of the article and form no part of the claim.

**1 Claim, 5 Drawing Sheets**

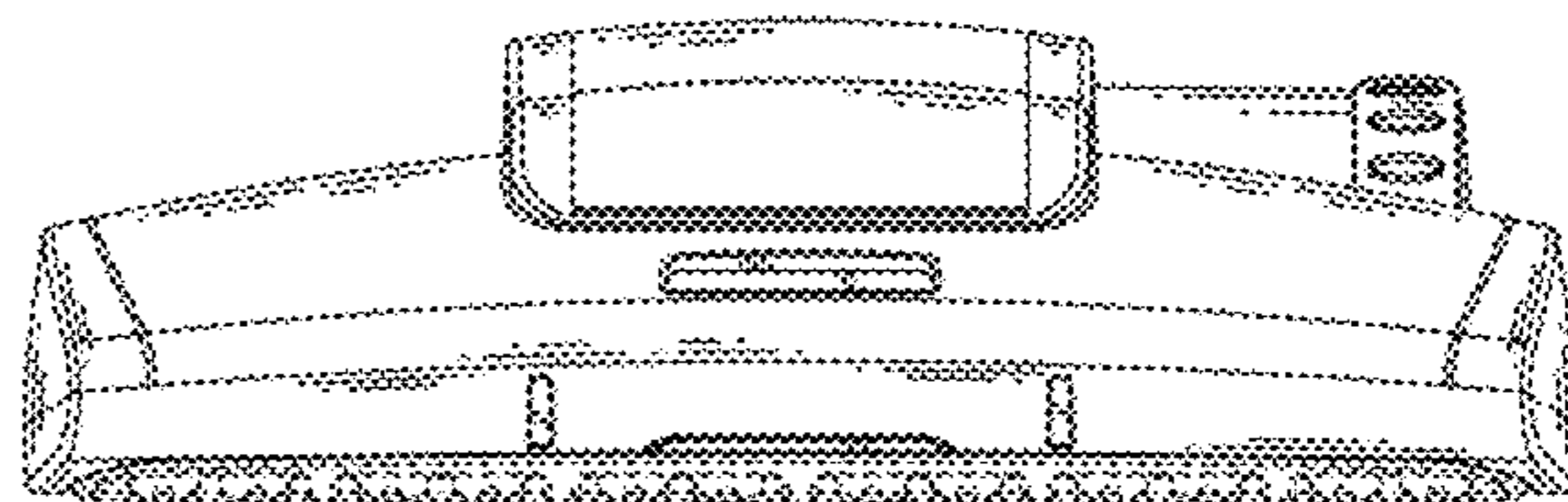
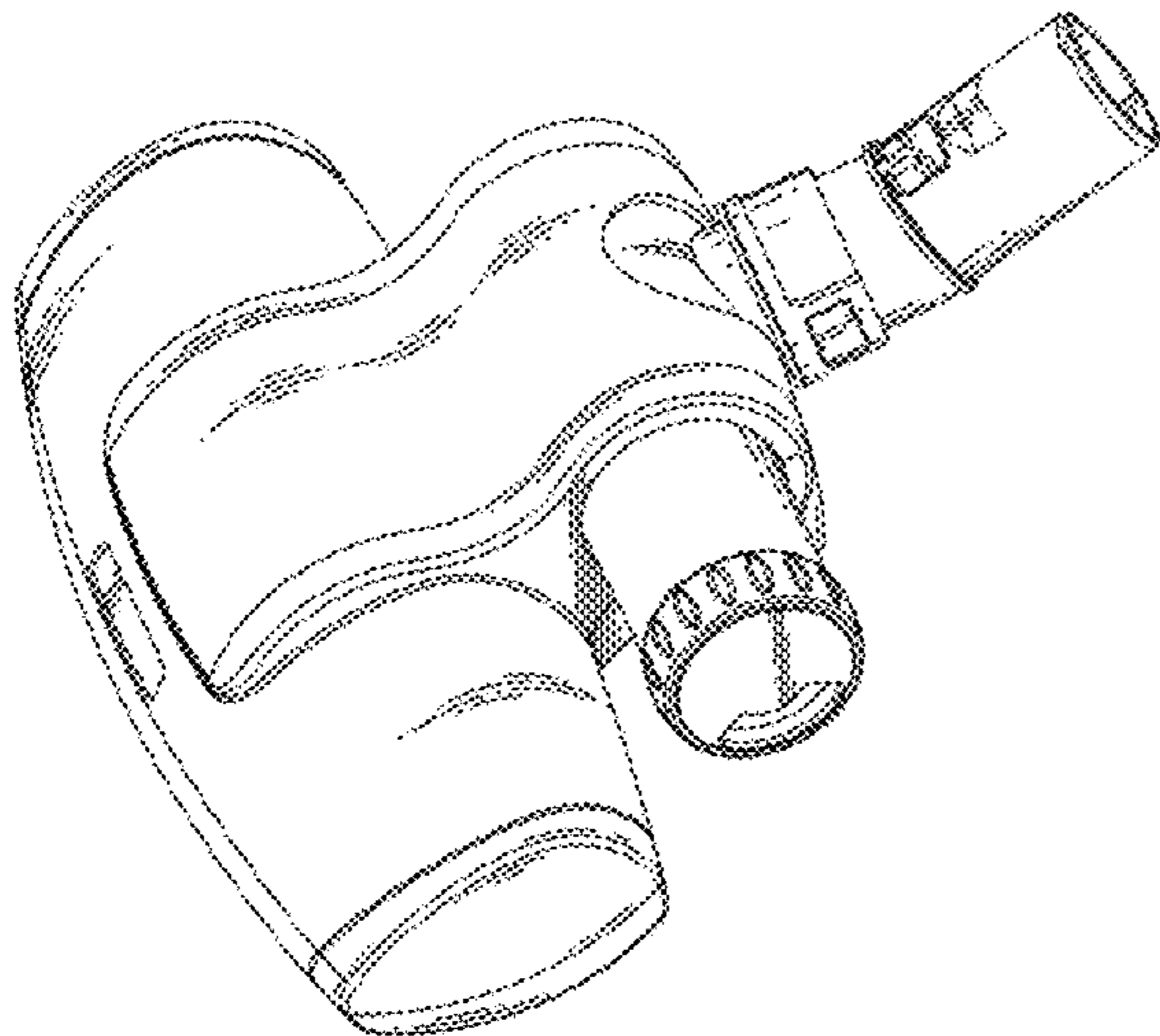


FIG. 1

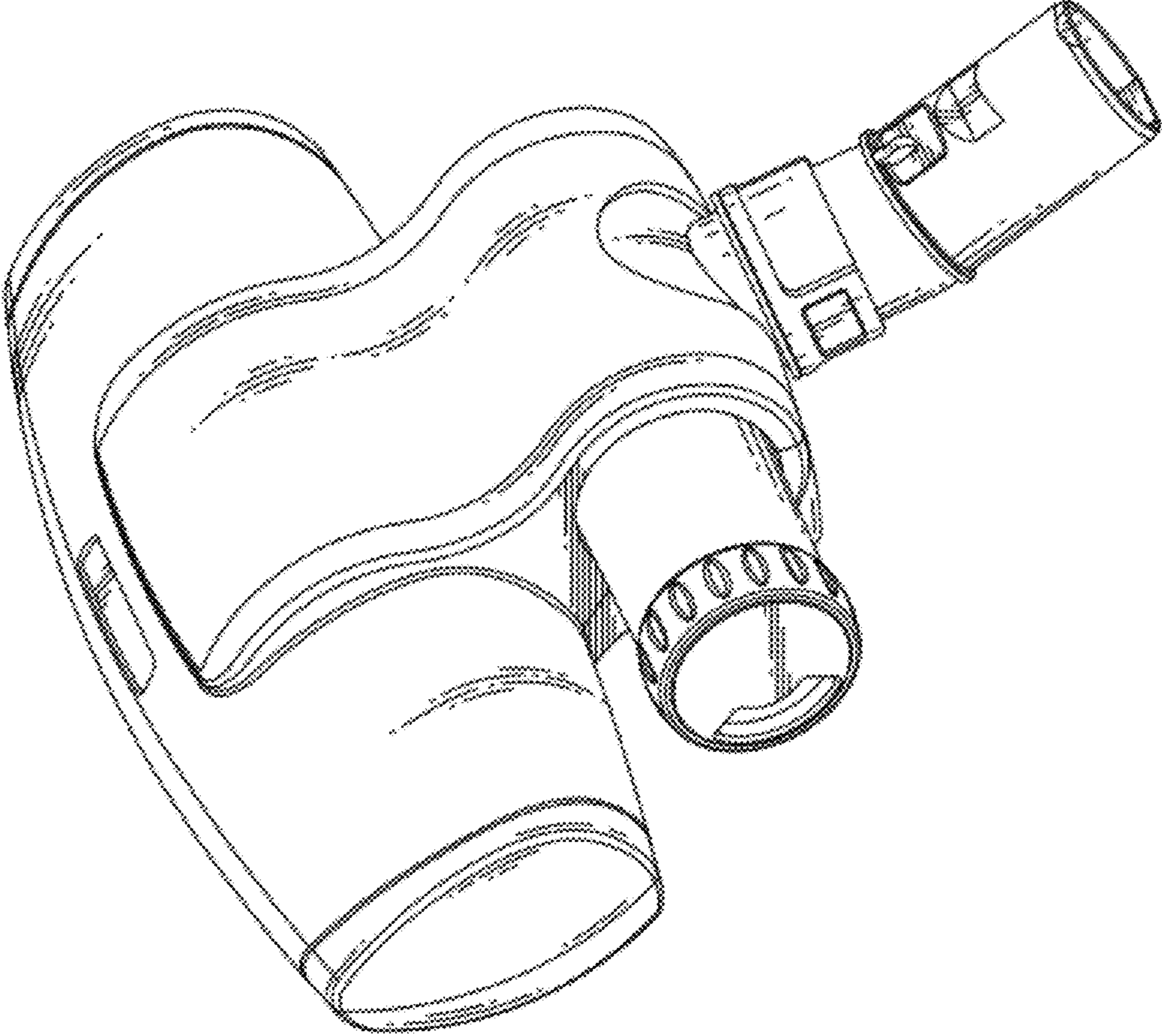


FIG.2

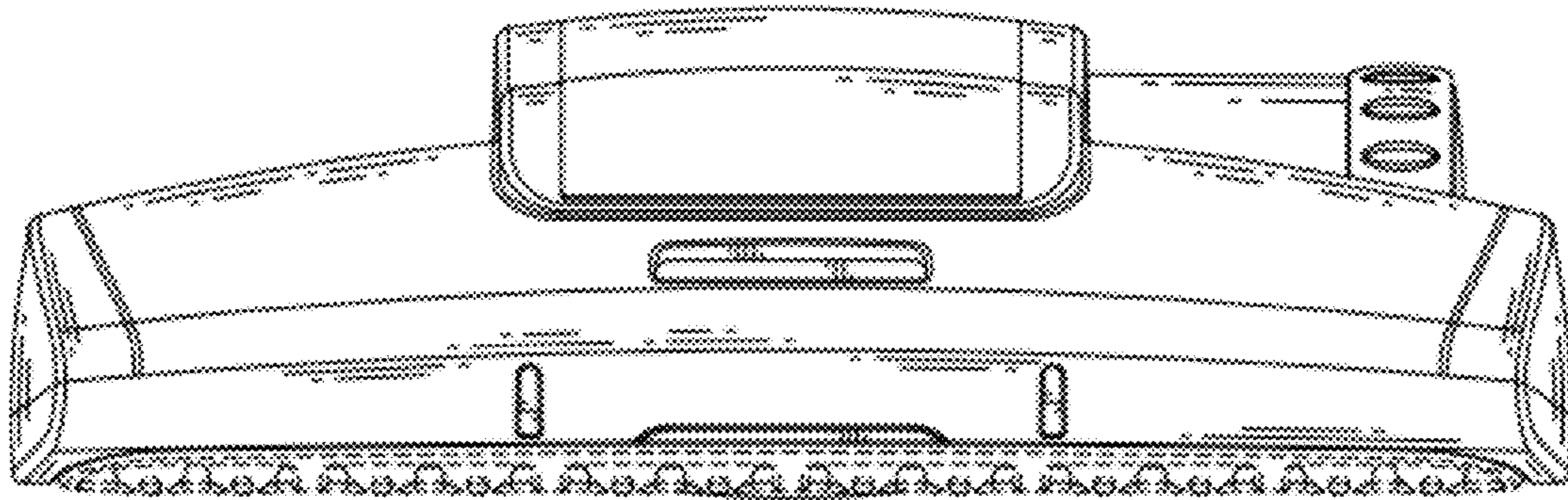


FIG.3

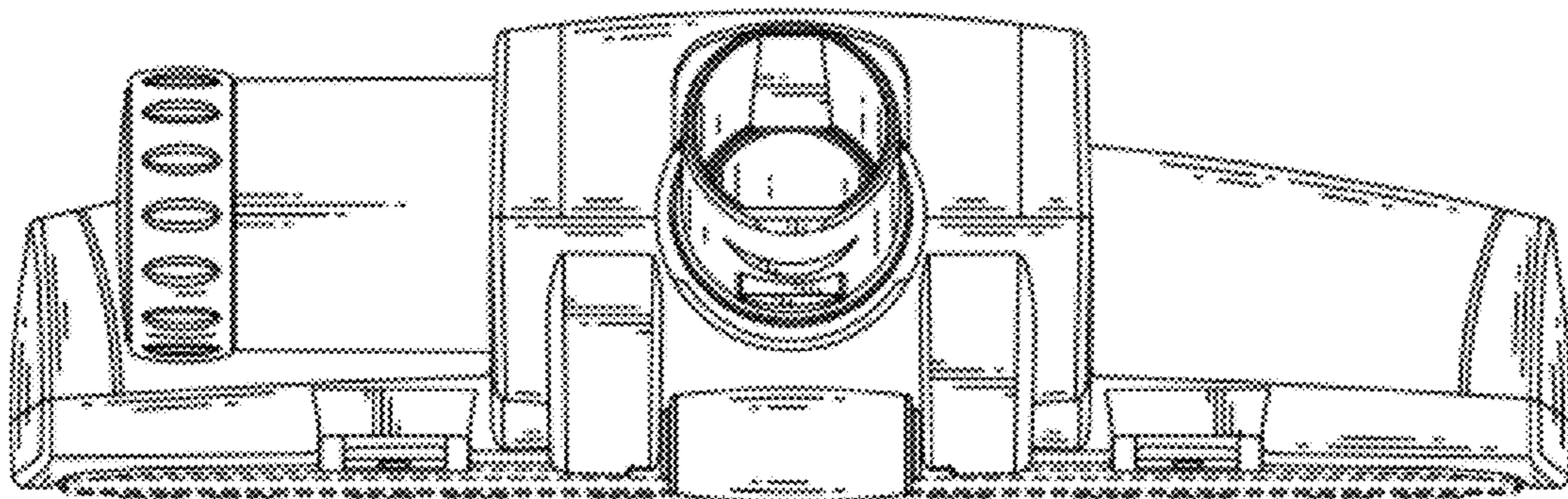


FIG.4

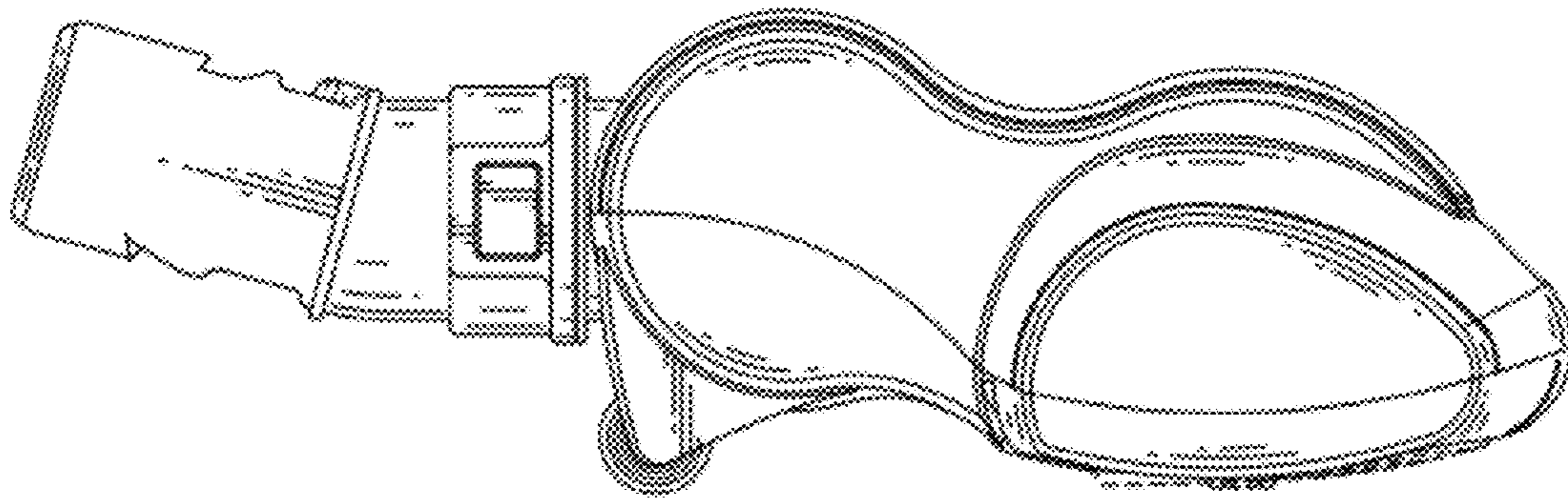


FIG.5

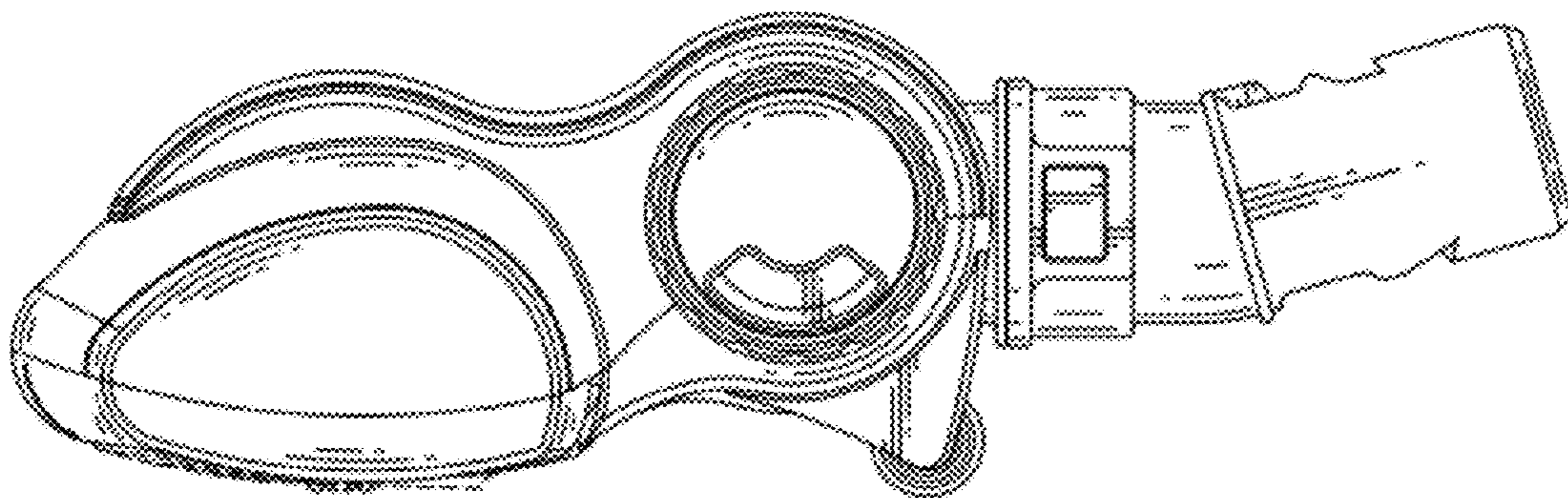


FIG. 6

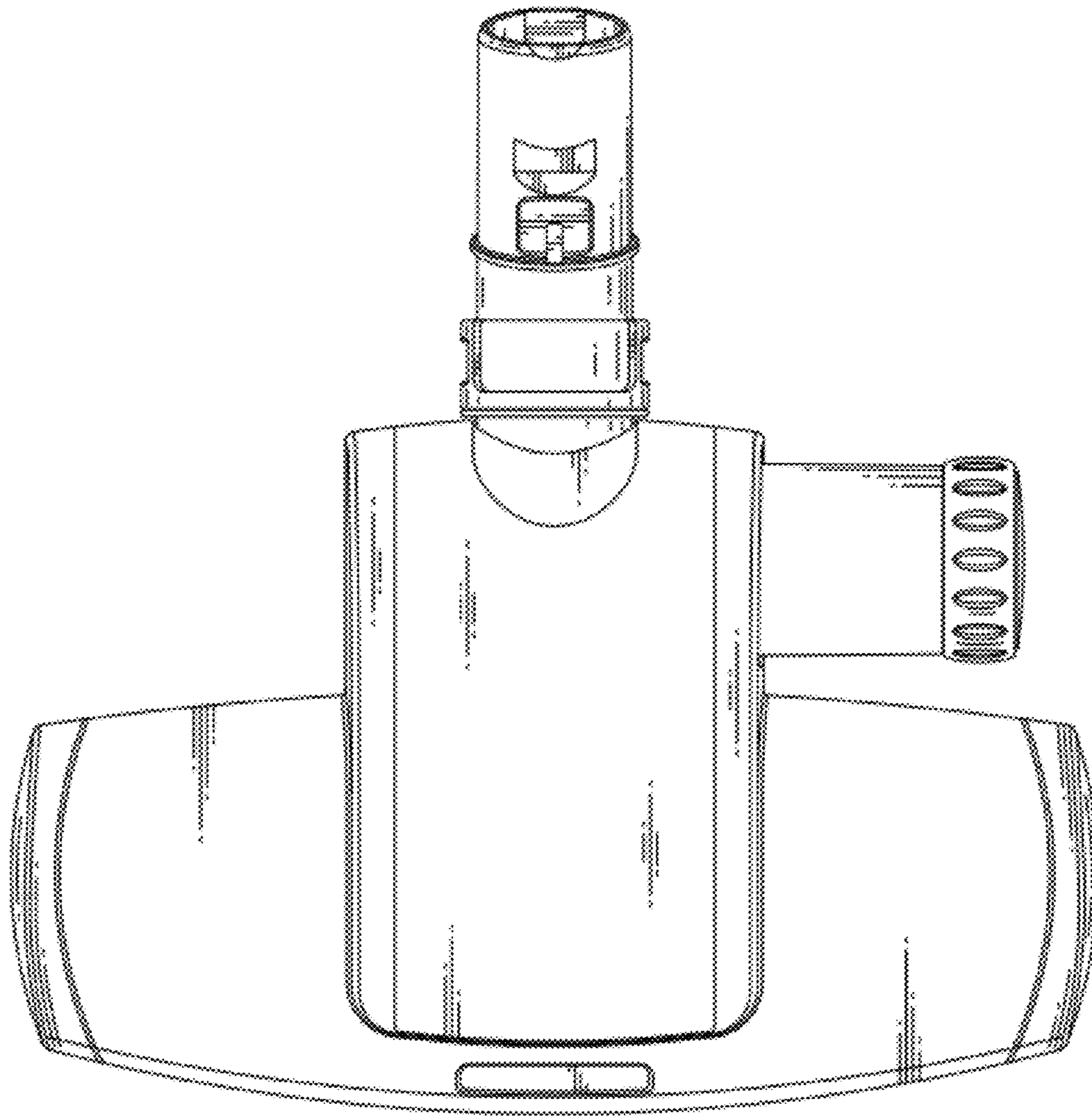


FIG. 7

