



US00D669237S

(12) **United States Design Patent**
Kim et al.

(10) **Patent No.:** **US D669,237 S**

(45) **Date of Patent:** **** Oct. 16, 2012**

(54) **DUST COLLECTING CASE FOR VACUUM CLEANER**

(75) Inventors: **Joo-Hyung Kim**, Seoul (KR); **Yuna Park**, Seoul (KR)

(73) Assignee: **Samsung Electronics Co., Ltd.**, Suwon-si (KR)

(**) Term: **14 Years**

(21) Appl. No.: **29/385,467**

(22) Filed: **Feb. 15, 2011**

(51) **LOC (9) Cl.** **15-05**

(52) **U.S. Cl.** **D32/31**

(58) **Field of Classification Search** D32/16,
D32/17, 22, 31, 34; 15/347, 353, 320, 340.2,
15/350-351, 363, 410-411, 327.1, 71.1,
15/79.1, 79.2; 55/337, 459.1, DIG. 3, 429
See application file for complete search history.

(56) **References Cited**

U.S. PATENT DOCUMENTS

| | | | | | |
|-----------|------|---------|-----------|-------|--------|
| 6,896,711 | B2 * | 5/2005 | Oh | | 55/337 |
| 6,925,680 | B2 * | 8/2005 | Oh | | 15/350 |
| 6,968,596 | B2 * | 11/2005 | Oh et al. | | 15/353 |
| 7,047,594 | B2 * | 5/2006 | Inoue | | 15/353 |

| | | | | | |
|--------------|------|---------|---------------|-------|--------|
| D541,997 | S * | 5/2007 | Greene | | D32/31 |
| 2004/0134022 | A1 * | 7/2004 | Murphy et al. | | 15/353 |
| 2004/0237248 | A1 * | 12/2004 | Oh et al. | | 15/353 |
| 2004/0261214 | A1 * | 12/2004 | Park et al. | | 15/351 |
| 2007/0039292 | A1 * | 2/2007 | Oh et al. | | 55/337 |
| 2007/0084159 | A1 * | 4/2007 | Oh et al. | | 55/337 |

* cited by examiner

Primary Examiner — Ruth McInroy

(74) *Attorney, Agent, or Firm* — Ladas & Parry LLP

(57) **CLAIM**

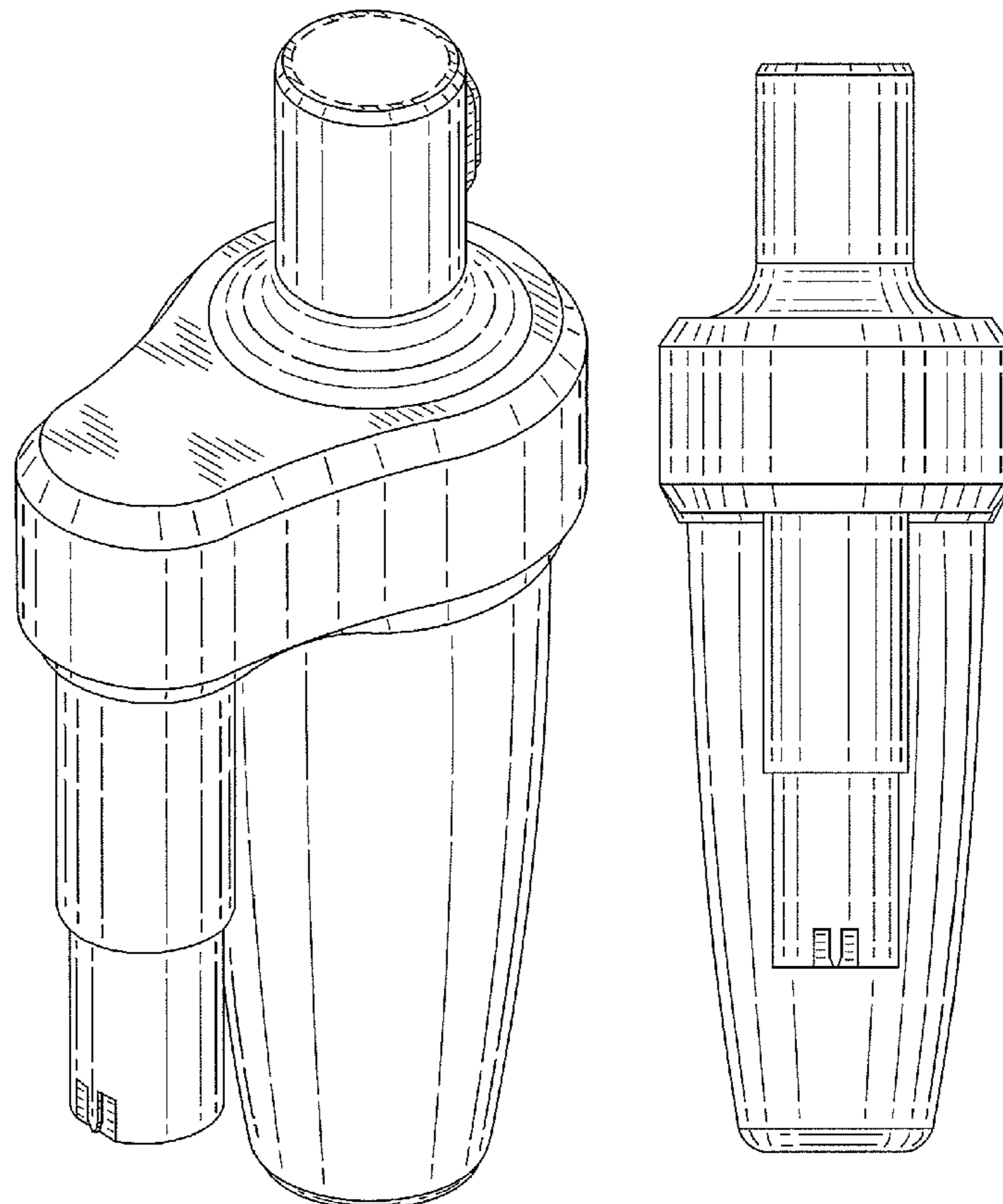
We claim the ornamental design for a dust collecting case for a vacuum cleaner, as shown and described.

DESCRIPTION

FIG. 1 is a top, front and right-side perspective view of a dust collecting case for vacuum cleaner showing our new design; FIG. 2 is a front elevational view thereof; FIG. 3 is a rear elevational view thereof; FIG. 4 is a left-side elevational view thereof; FIG. 5 is a right-side elevational view thereof; FIG. 6 is a top plan view thereof; and, FIG. 7 is a bottom plan view thereof.

The details shown in broken lines form no part of the claimed design.

1 Claim, 6 Drawing Sheets



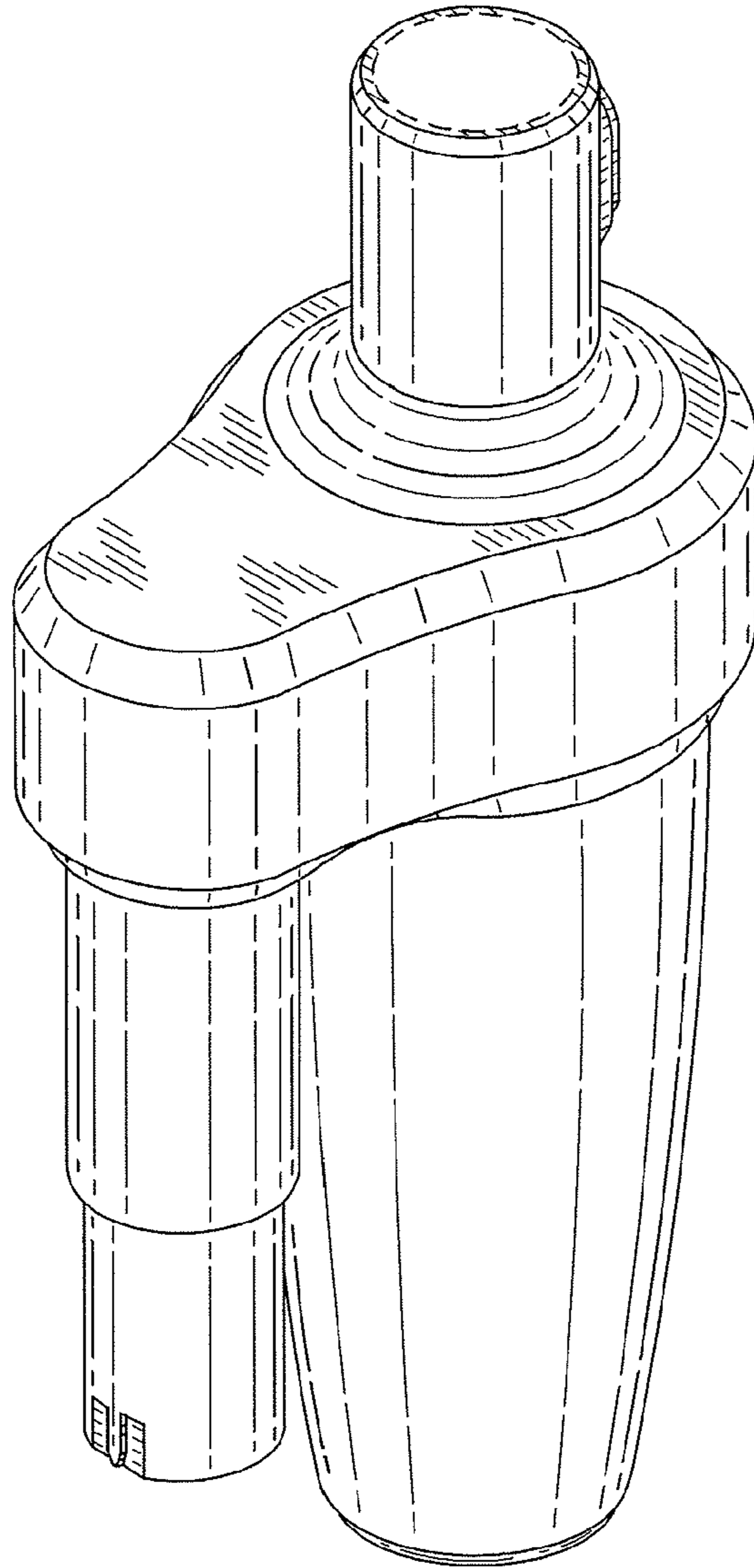


FIG. 1

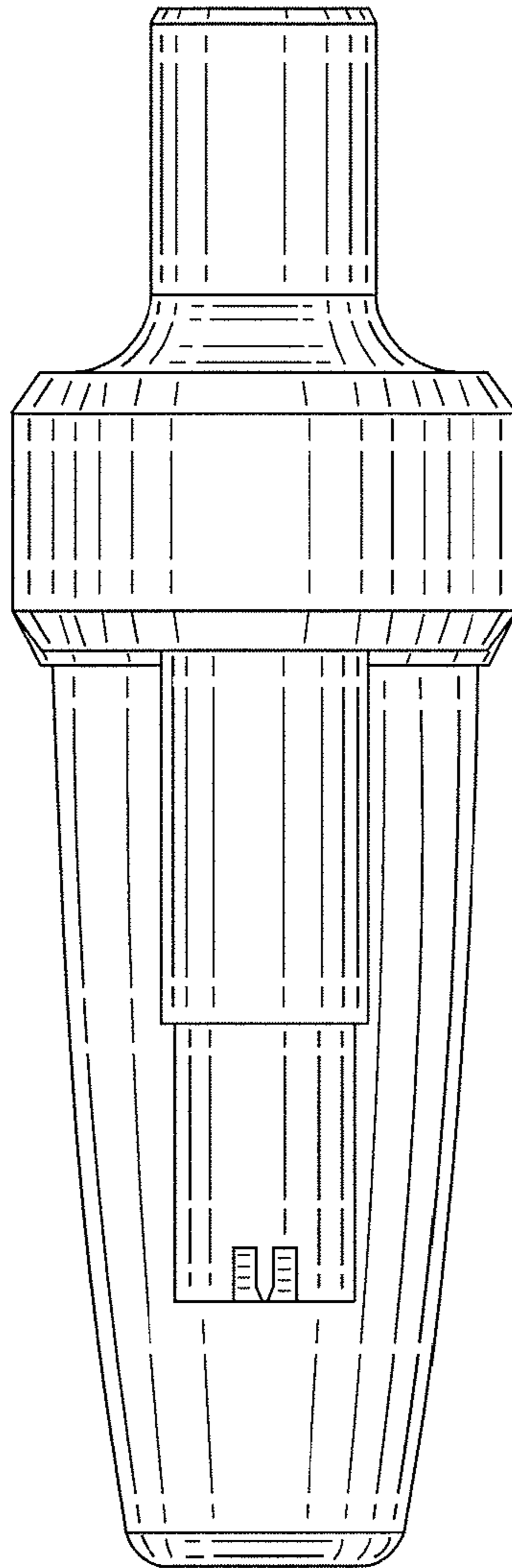


FIG. 2

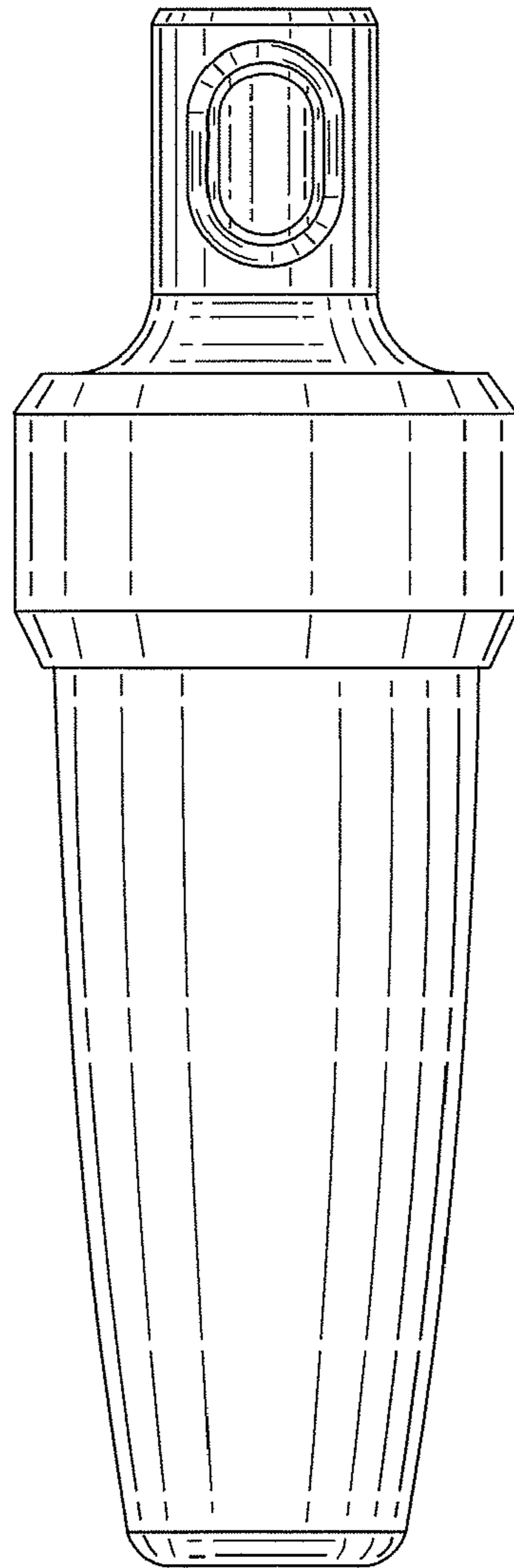


FIG. 3

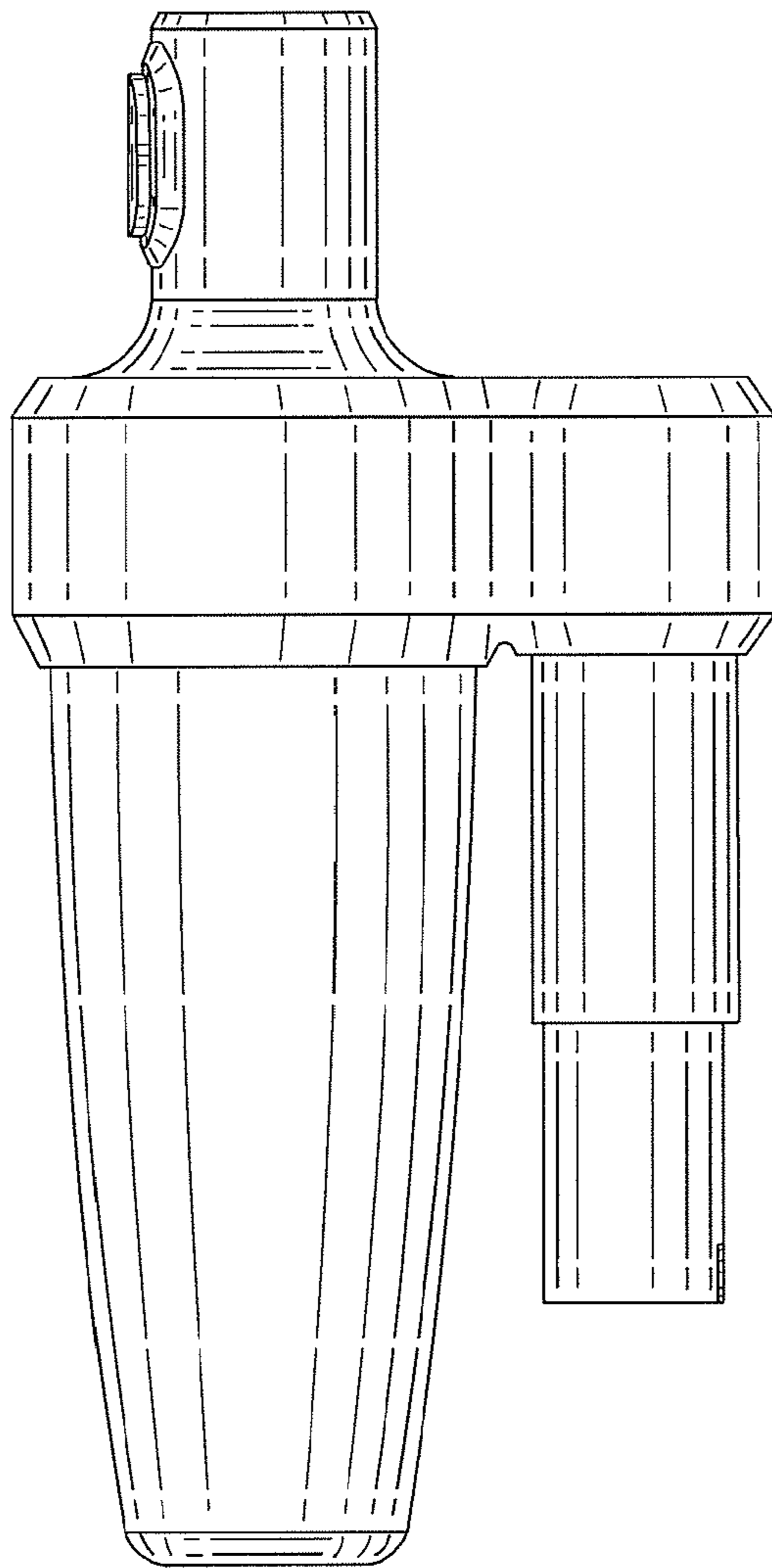


FIG. 4

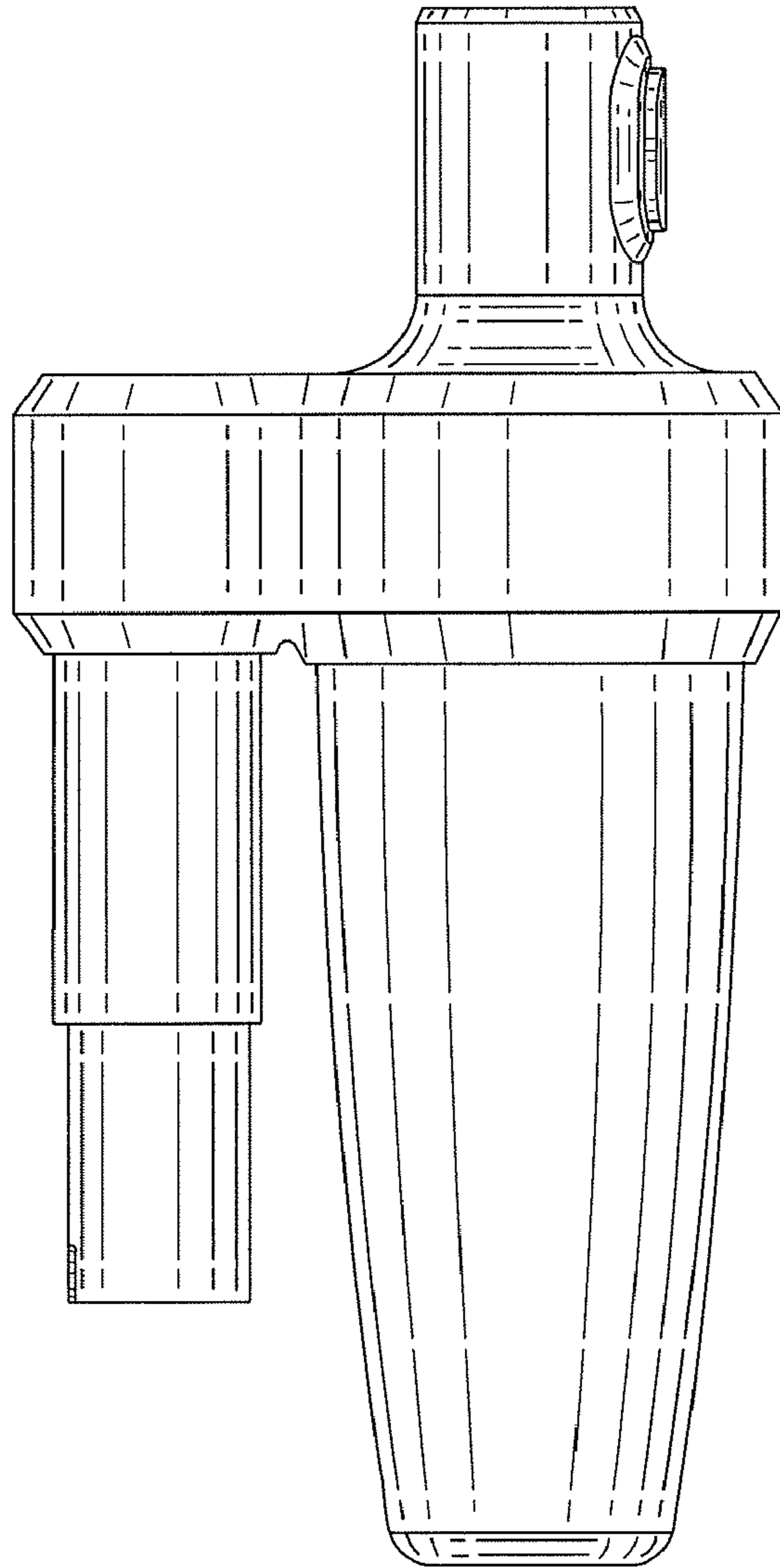


FIG. 5

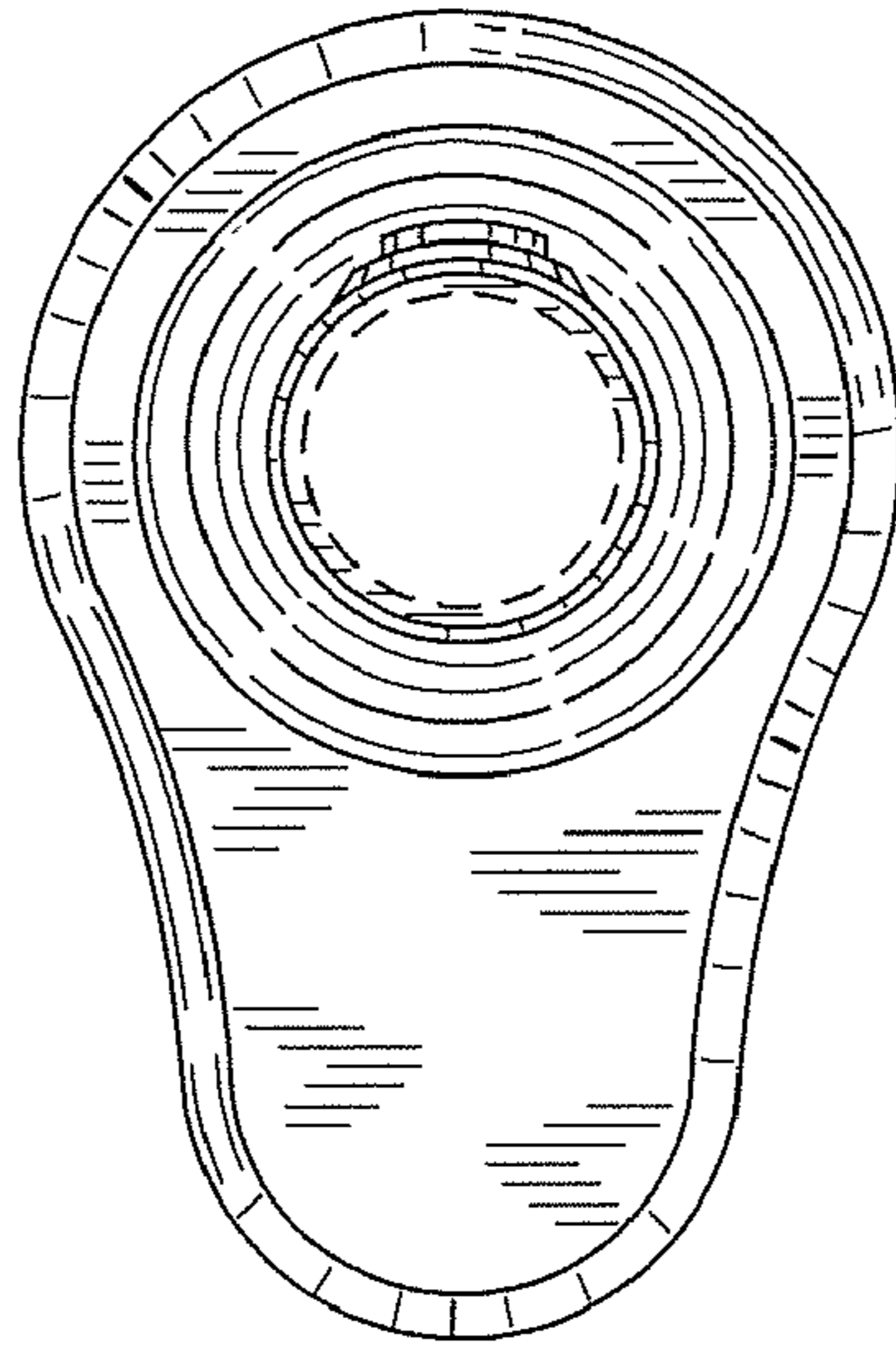


FIG. 6

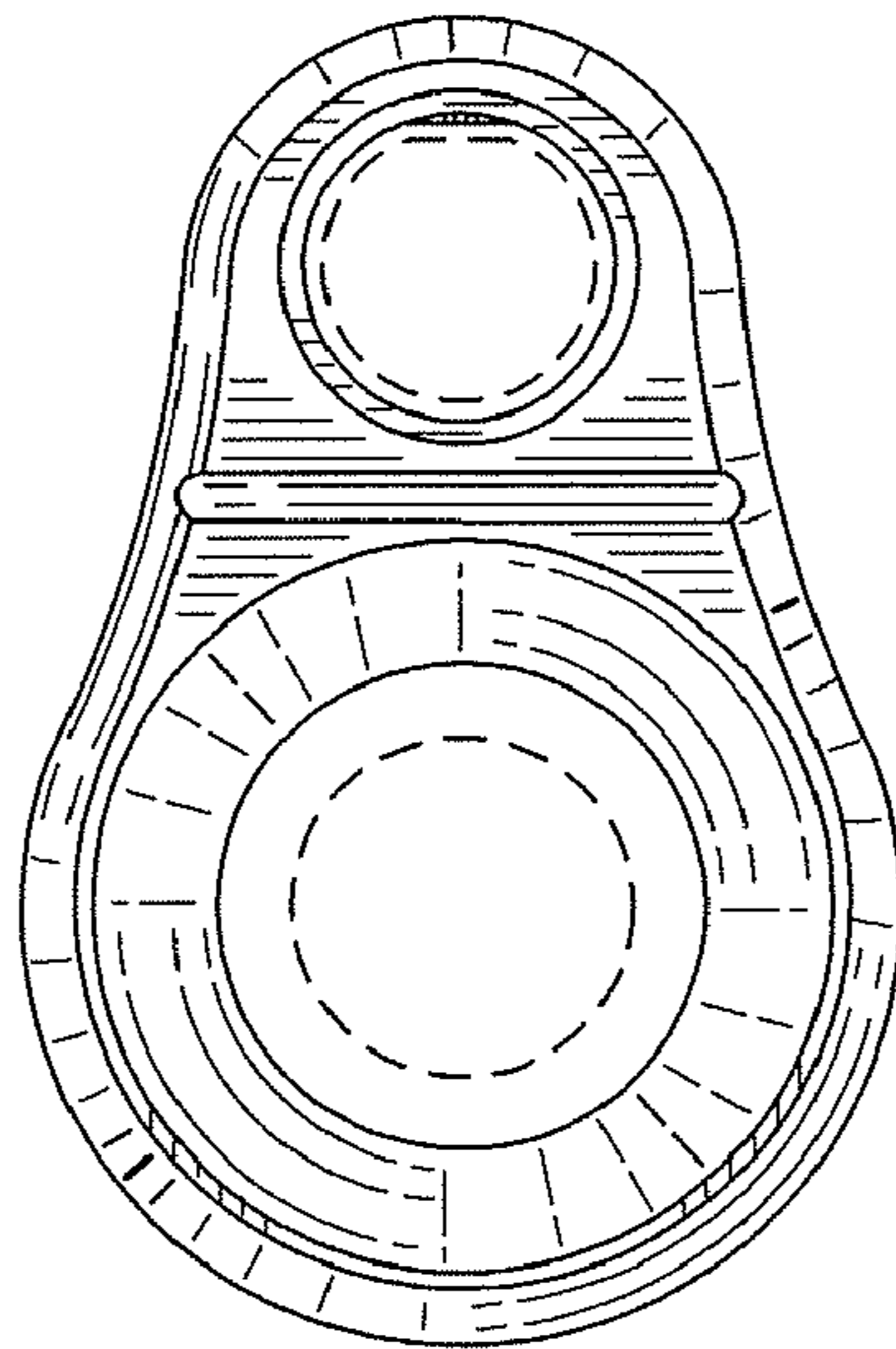


FIG. 7