



US00D669236S

(12) **United States Design Patent**  
**Jeon et al.**

(10) **Patent No.:** **US D669,236 S**  
(45) **Date of Patent:** **\*\* Oct. 16, 2012**

(54) **STEAM BAR FOR DRY CLEANING MACHINE**

(75) Inventors: **Ho Il Jeon**, Gyeonggi-do (KR); **Ye Ji Um**, Seoul (KR); **Jung Hwan Lee**, Seoul (KR); **Hui Jae Kwon**, Seoul (KR)

(73) Assignee: **LG Electronics Inc.**, Seoul (KR)

(\*\*) Term: **14 Years**

(21) Appl. No.: **29/367,621**

(22) Filed: **Aug. 10, 2010**

(30) **Foreign Application Priority Data**

Feb. 10, 2010 (KR) ..... 30-2010-0005974

(51) **LOC (9) Cl.** ..... **15-05**

(52) **U.S. Cl.** ..... **D32/25**

(58) **Field of Classification Search** ..... D32/1, D32/5, 6, 9, 10, 25; 34/58, 130-131, 202, 34/210, 523-524, 595, 597, 500, 603, 621; 68/3 R, 4, 5 R, 12.01, 12.08, 212, 13 R; 312/31; 8/49.3; 223/51; 38/1 A

See application file for complete search history.

(56) **References Cited**

**U.S. PATENT DOCUMENTS**

1,732,473	A *	10/1929	Jones	.....	68/6
3,672,188	A *	6/1972	Geschka et al.	.....	68/12.15
4,682,424	A *	7/1987	Irving	.....	34/621
5,305,484	A *	4/1994	Fitzpatrick et al.	.....	8/149.3
5,516,012	A *	5/1996	Weigel	.....	223/51
5,561,880	A *	10/1996	Allen et al.	.....	8/149.3
D476,782	S *	7/2003	Huddleston	.....	D32/6
7,060,106	B2 *	6/2006	Kleker	.....	8/149.1

D532,563	S *	11/2006	Kim et al.	.....	D32/6
7,235,109	B2 *	6/2007	Kleker	.....	8/149.3
D553,310	S *	10/2007	Penney et al.	.....	D32/8
D574,115	S *	7/2008	Jeon et al.	.....	D32/9
8,146,390	B2 *	4/2012	Moon et al.	.....	68/5 C
2006/0101867	A1 *	5/2006	Kleker	.....	68/5 C

\* cited by examiner

*Primary Examiner* — T. Chase Nelson

*Assistant Examiner* — Kathleen M Sims

(74) *Attorney, Agent, or Firm* — Birch, Stewart, Kolasch & Birch, LLP

(57) **CLAIM**

The ornamental design for a steam bar for dry cleaning machine, as shown and described.

**DESCRIPTION**

FIG. 1 is a perspective view of a steam bar for dry cleaning machine showing our new design;

FIG. 2 is a front view thereof;

FIG. 3 is a rear view thereof;

FIG. 4 is a left side view thereof;

FIG. 5 is a right side view thereof;

FIG. 6 is a top plan view thereof where the bottom plan view is a mirror image;

FIG. 7 is a perspective view thereof showing the state in which the steam bars have been installed in the dry cleaning machine; and,

FIG. 8 is an enlarged view of a part of the inside part of the steam bar in order to show the holes from which steam has been emitted.

The broken line showing of details in FIG. 7 is included for the purpose of showing environmental portions of the steam bar for dry cleaning machine and forms no part of the claimed design.

**1 Claim, 6 Drawing Sheets**

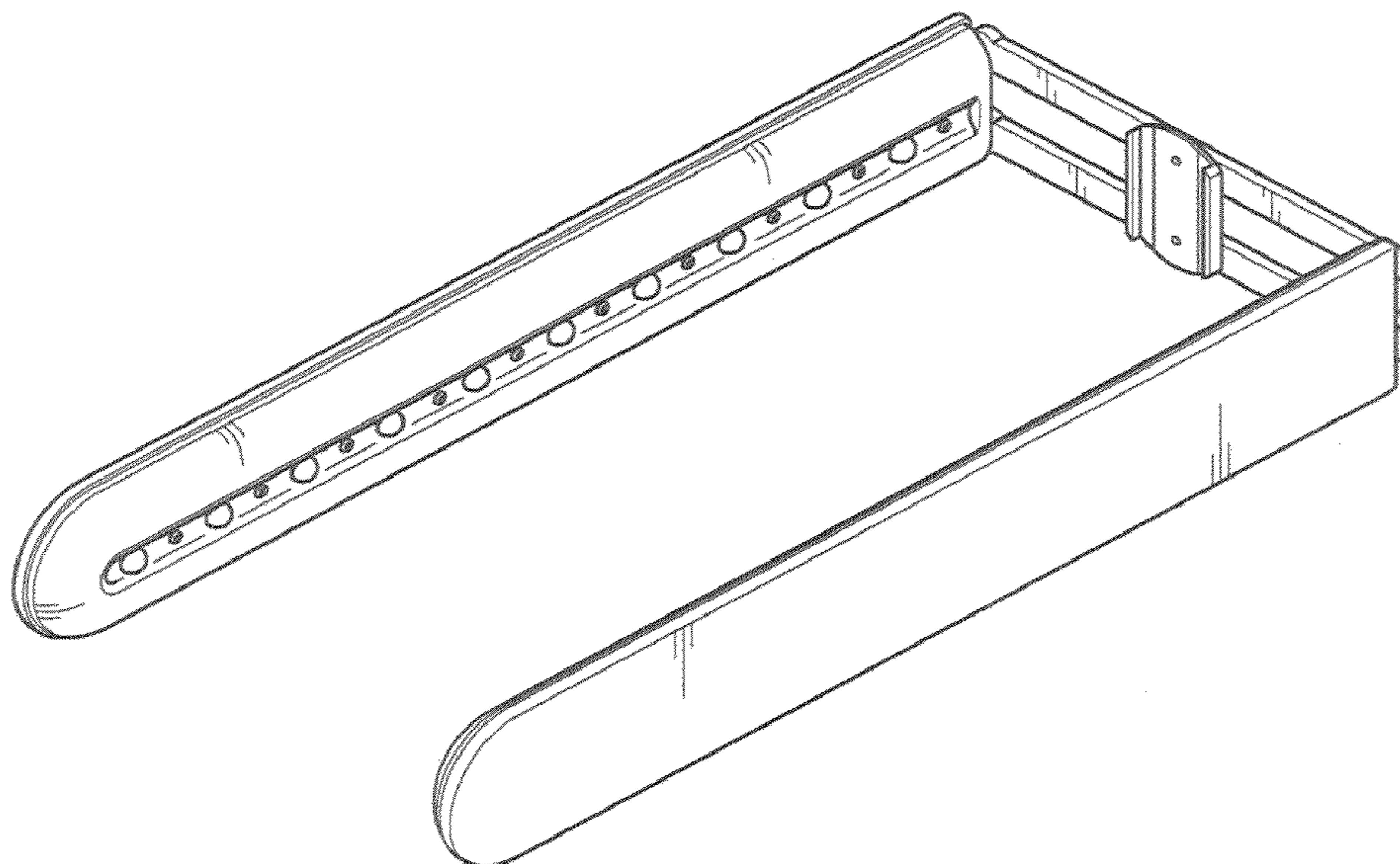


FIG. 1

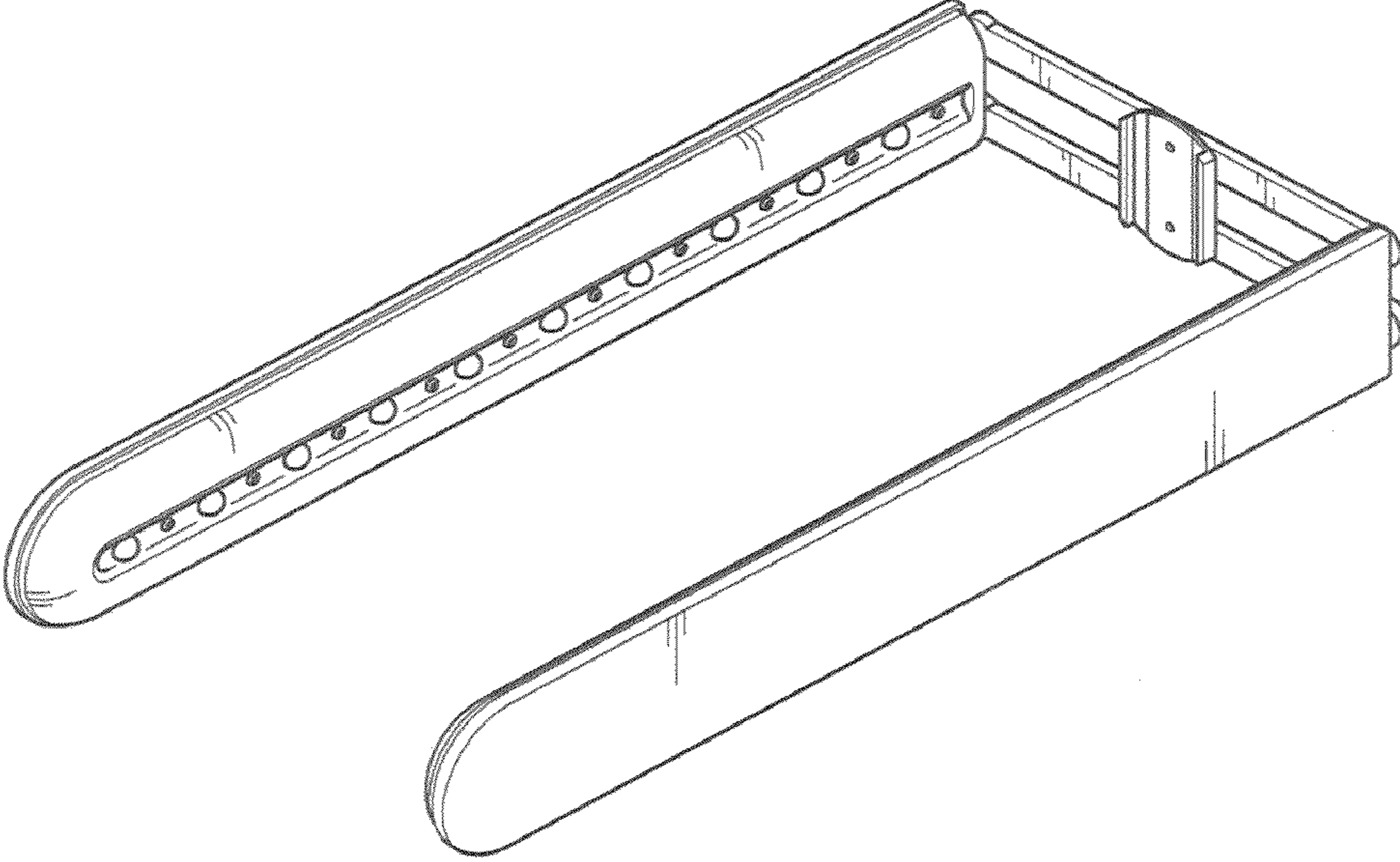


FIG. 2

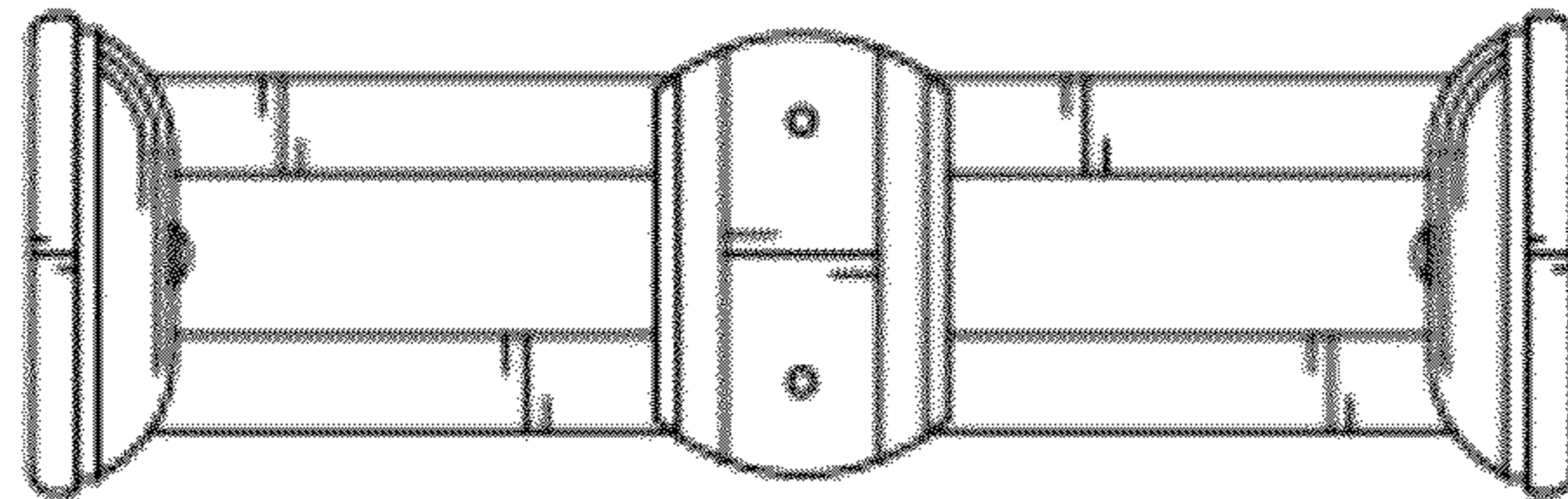


FIG. 3

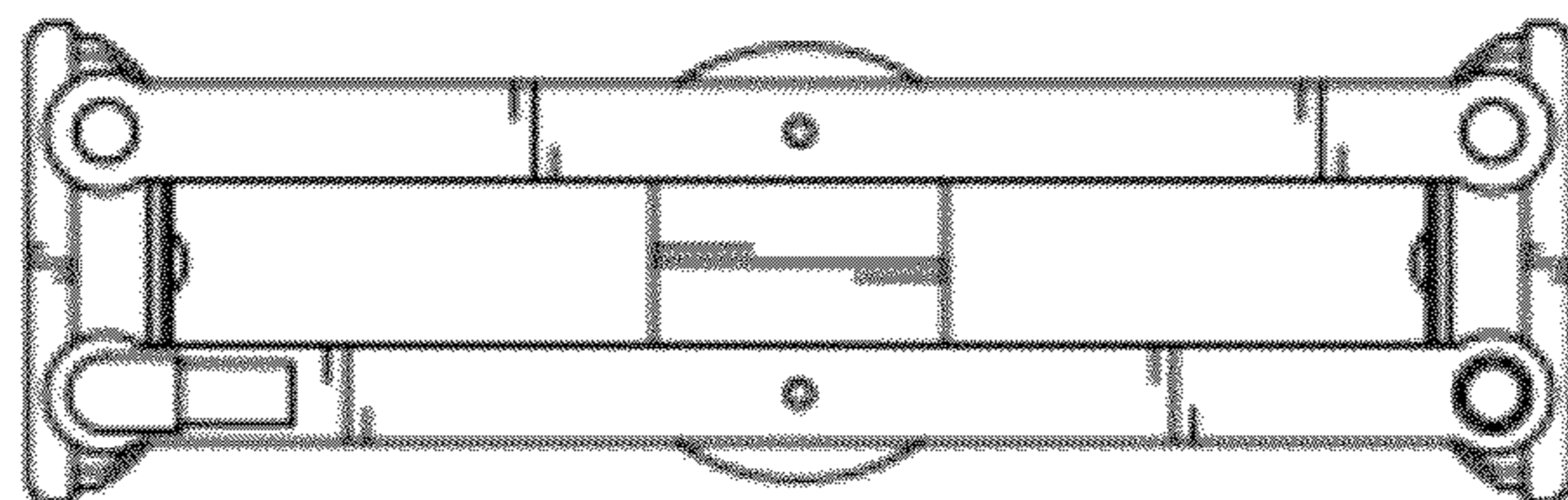


FIG. 4

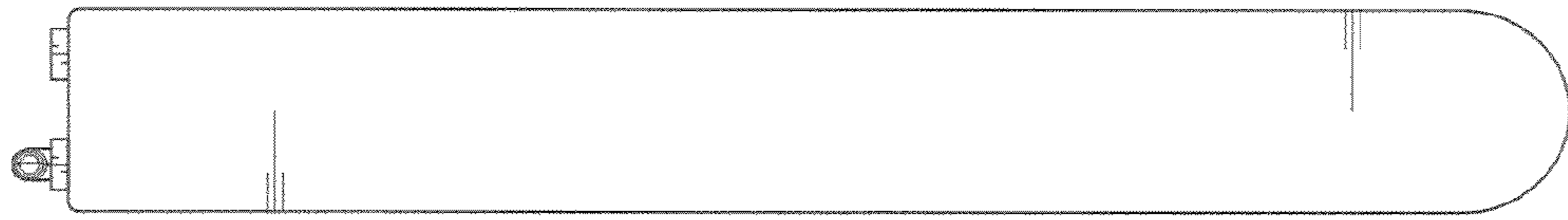


FIG. 5

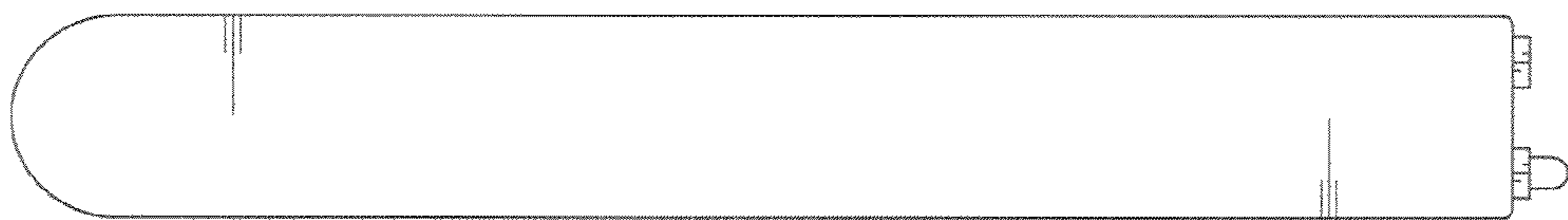


FIG. 6

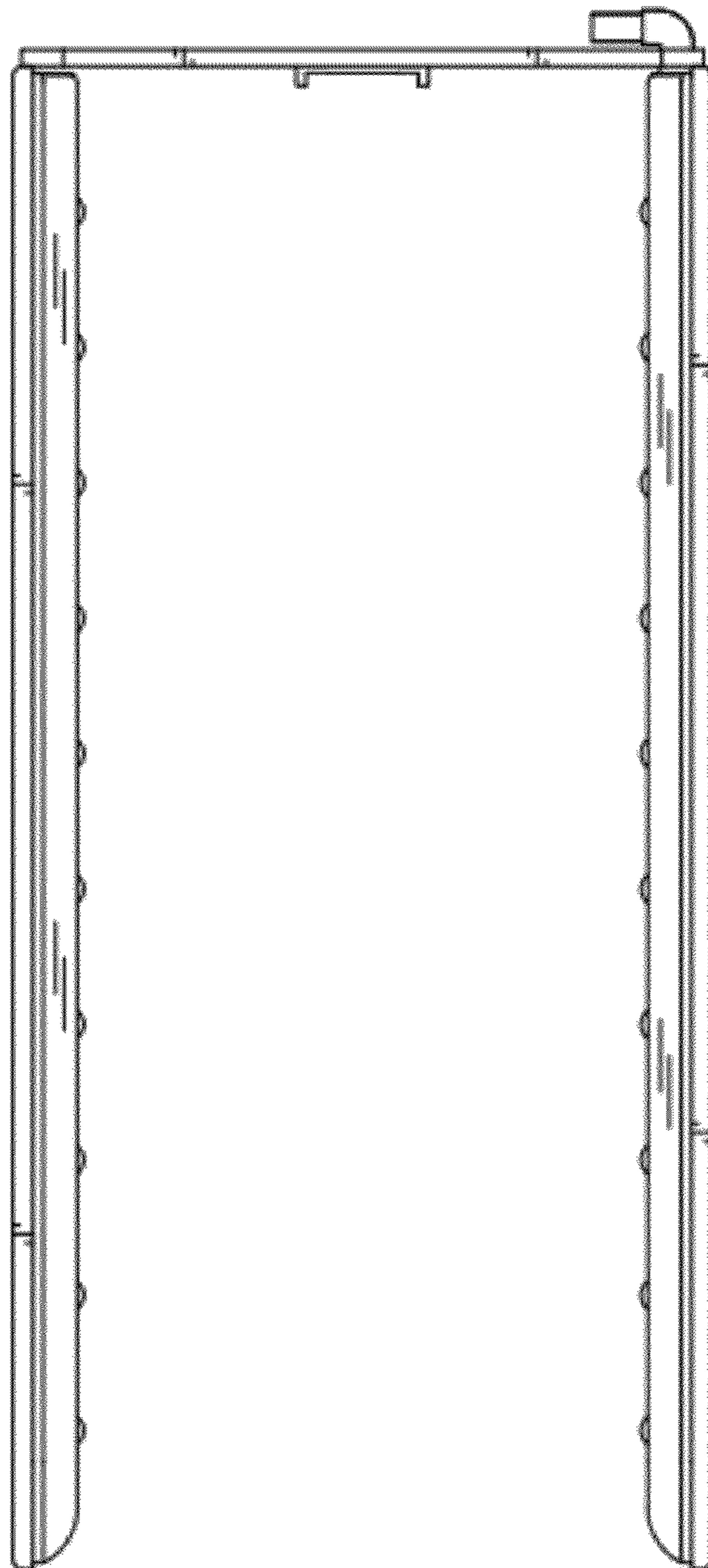


FIG. 7

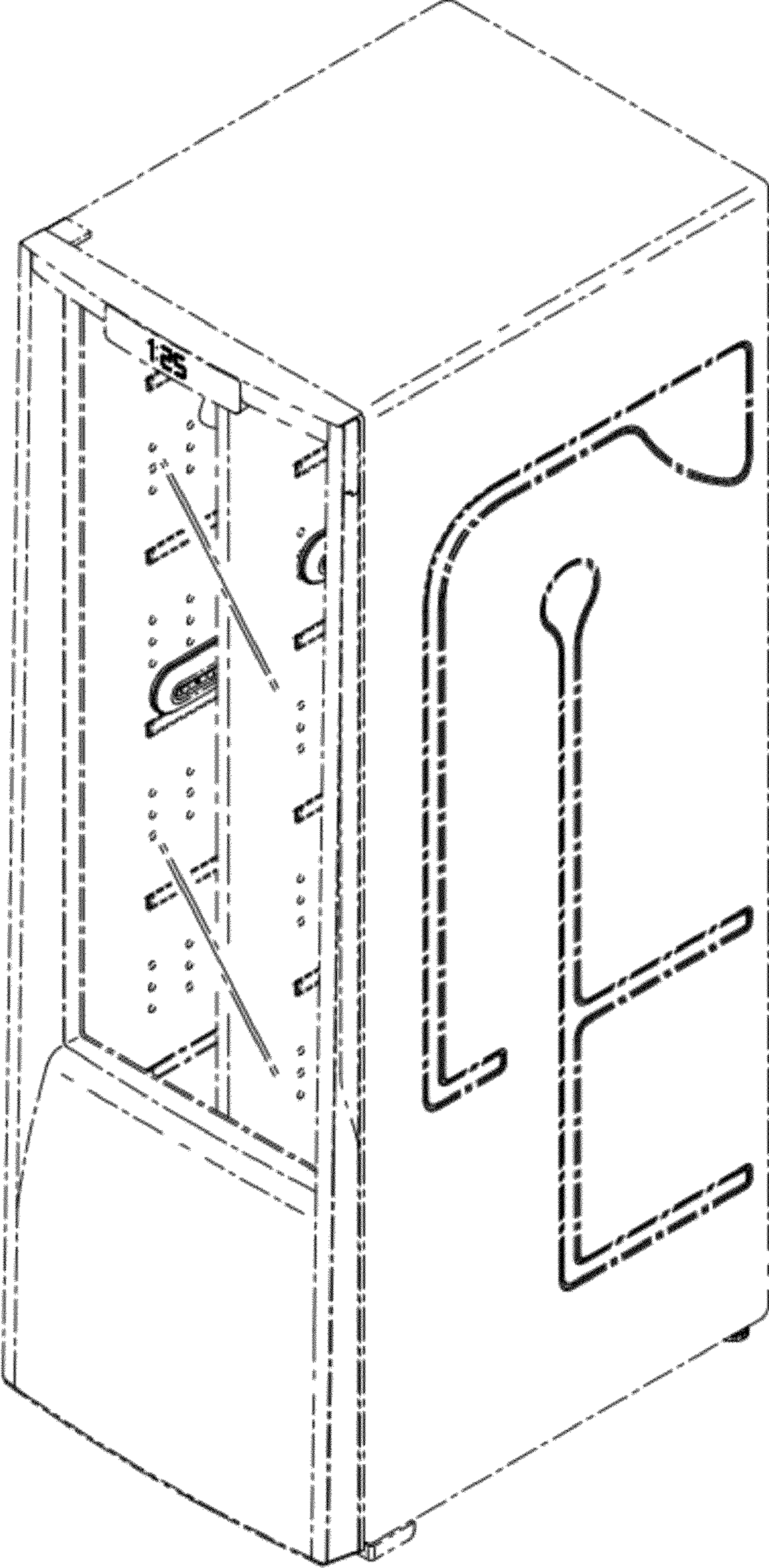


FIG. 8

