



US00D669233S

(12) **United States Design Patent**  
**Ranstead**

(10) **Patent No.:** **US D669,233 S**

(45) **Date of Patent:** **\*\* Oct. 16, 2012**

(54) **HANDS-FREE LEASH**

(76) Inventor: **Audrey Jane Ranstead**, Fairbanks, AK  
(US)

(\*\*) Term: **14 Years**

(21) Appl. No.: **29/351,107**

(22) Filed: **Nov. 30, 2009**

(51) **LOC (9) Cl.** ..... **30-04**

(52) **U.S. Cl.** ..... **D30/153**

(58) **Field of Classification Search** ..... 318/257;  
D30/154, 160, 151, 199, 153, 152; 119/707-712,  
119/786-788, 791, 780, 782, 769-771, 792-799,  
119/758, 760, 784, 802, 856, 857, 863, 865,  
119/719, 859, 908, 776; D21/791, 840; D8/1,  
D8/14, 47; 248/121, 521, 545, 499, 145,  
248/156, 508, 530, 125.1, 125.3, 125.8, 690;  
211/205; 52/155, 166, 157, 162, 163; 135/118;  
403/360, 378; 473/149, 147; D26/138; 362/401;  
410/101; 405/259.1, 244; 182/3; 24/523,  
24/525, 299, 594.11, DIG. 35, 3.2, 600.7,  
24/905; D24/199; 54/71, 34; 267/113, 136,  
267/34, 70-72; 16/66; 340/573.3, 668; 294/82.34,  
294/19.1; 114/221 R; 441/75; 128/878,  
128/882, DIG. 15; D29/120.1-120.2, 100,  
D29/101.1; D2/627, 624, 631

See application file for complete search history.

(56) **References Cited**

**U.S. PATENT DOCUMENTS**

D237,760 S \* 11/1975 Woods ..... D29/122  
D252,931 S \* 9/1979 Tamarin ..... D16/243  
D271,246 S \* 11/1983 Matheson et al. .... D24/110.1  
D275,266 S \* 8/1984 Kawahara ..... D8/383  
D279,036 S \* 5/1985 Ludwig ..... D30/142

4,638,764 A \* 1/1987 Anderson ..... 119/770  
D293,497 S \* 12/1987 Bird ..... D30/134  
5,038,719 A \* 8/1991 McDonough ..... 119/772  
D339,979 S \* 10/1993 Wehrley ..... D8/372  
D350,628 S \* 9/1994 Williams ..... D30/153  
5,351,654 A \* 10/1994 Fuentes ..... 119/770

(Continued)

**OTHER PUBLICATIONS**

The Buddy System, [www.amazon.com/gp/product/B0002ZAGC0/ref+pd\\_lpo\\_k2\\_dp\\_sr\\_3?pf\\_r...](http://www.amazon.com/gp/product/B0002ZAGC0/ref+pd_lpo_k2_dp_sr_3?pf_r...), 2 pp., accessed Nov. 30, 2009.

(Continued)

*Primary Examiner* — Susan Moon Lee

(57) **CLAIM**

I claim the ornamental design for a hands-free leash, as shown and described.

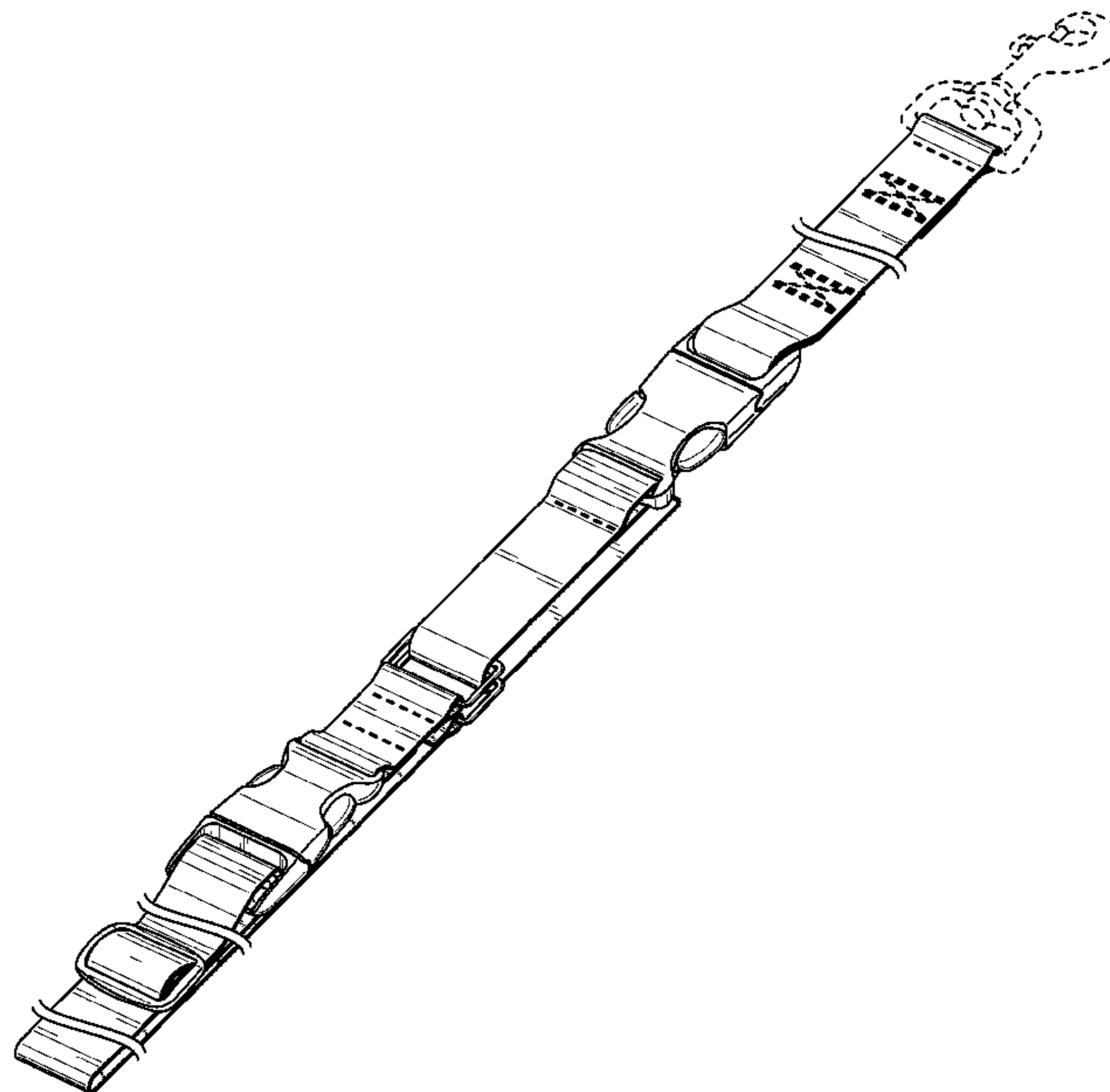
**DESCRIPTION**

FIG. 1 is an isometric view of a hands-free leash in accordance with the present invention;  
FIG. 2 is a top view of the hands-free leash of FIG. 1;  
FIG. 3 is a bottom view of the hands-free leash of FIG. 1;  
FIG. 4 is a front view of the hands-free leash of FIG. 1;  
FIG. 5 is a back view of the hands-free leash of FIG. 1;  
FIG. 6 is a left side view of the hands-free leash of FIG. 1; and,  
FIG. 7 is a right side view of the hands-free leash of FIG. 1.  
In FIGS. 1-7, the broken lines indicating environmental features of snap hooks and stitching form no part of the claimed design.

The portions of the leash that are shown “broken-away” in FIGS. 1-3, 6 and 7 are meant to indicate that those portions of the leash are of non-specified length.

Furthermore, the portions of the article not shown form no part of the claimed design.

**1 Claim, 4 Drawing Sheets**



# US D669,233 S

Page 2

## U.S. PATENT DOCUMENTS

5,370,286 A \* 12/1994 Newman ..... 224/578  
5,383,426 A \* 1/1995 Krauss ..... 119/793  
5,423,644 A \* 6/1995 First, Sr. .... 410/100  
5,456,213 A \* 10/1995 Beauchamp ..... 119/793  
D366,149 S \* 1/1996 Garza et al. .... D3/328  
D372,064 S \* 7/1996 del Barrio ..... D21/791  
D379,688 S \* 6/1997 Werner ..... D30/152  
D381,473 S \* 7/1997 Dixon et al. .... D30/153  
D383,888 S \* 9/1997 Smith ..... D2/624  
5,666,909 A \* 9/1997 Dupre ..... 119/797  
5,695,101 A \* 12/1997 Frieze ..... 224/250  
D393,337 S \* 4/1998 Seki ..... D2/624  
D395,555 S \* 6/1998 Ursitti ..... D6/328  
5,785,011 A \* 7/1998 Gitterman, III ..... 119/865  
D406,412 S \* 3/1999 Rubinstein ..... D30/153  
D407,867 S \* 4/1999 Rubinstein ..... D30/153  
D426,065 S \* 6/2000 Deveaux ..... D3/327  
D434,535 S \* 11/2000 Koch ..... D30/152  
D440,144 S \* 4/2001 Todd ..... D8/354  
D449,136 S \* 10/2001 Vallance ..... D29/124  
D454,415 S \* 3/2002 Leverenz ..... D30/152  
D460,344 S \* 7/2002 Smith ..... D8/367  
6,705,811 B1 \* 3/2004 Selby ..... 410/3  
6,729,268 B1 \* 5/2004 Costell ..... 119/726  
6,834,621 B1 \* 12/2004 O'Neill ..... 119/771  
D513,034 S \* 12/2005 Boron et al. .... D17/20  
6,971,334 B1 \* 12/2005 Livesay et al. .... 119/798  
7,044,896 B2 \* 5/2006 Hetrick ..... 482/95  
7,096,827 B2 \* 8/2006 Sporn ..... 119/797  
7,188,585 B1 \* 3/2007 Carter ..... 119/798

D553,353 S \* 10/2007 Karadimas ..... D3/221  
D612,436 S \* 3/2010 Schirmer ..... D21/662  
D643,580 S \* 8/2011 Evans ..... D30/153  
D646,895 S \* 10/2011 Nolan et al. .... D3/327  
D651,769 S \* 1/2012 Farrell ..... D30/153  
D652,585 S \* 1/2012 Lawley ..... D30/153  
D652,701 S \* 1/2012 Cranny ..... D8/44  
D657,503 S \* 4/2012 January ..... D30/139  
2003/0097736 A1 \* 5/2003 Blankenship ..... 24/302  
2003/0160078 A1 \* 8/2003 Godshaw et al. .... 224/607  
2003/0201377 A1 \* 10/2003 Davis ..... 248/508  
2006/0032461 A1 \* 2/2006 Sporn ..... 119/797  
2008/0115739 A1 \* 5/2008 Clenney ..... 119/863  
2009/0119892 A1 \* 5/2009 Breeden et al. .... 24/68 CD  
2009/0241307 A1 \* 10/2009 Ayers et al. .... 24/68 CD  
2011/0302688 A1 \* 12/2011 Vieux ..... 2/69

## OTHER PUBLICATIONS

Cardio Canine.com, [www.cardiocanine.com](http://www.cardiocanine.com), 2pp., accessed Nov. 30, 2009.  
Larz Pettgear.com, [www.larzpetgear.com/index.php?option=com\\_content&task=view&id=27](http://www.larzpetgear.com/index.php?option=com_content&task=view&id=27) . . . , 2 pp., accessed Nov. 30, 2009.  
Dog-On Easy Hands-Free Dog Leash Combo, [www.firsttreks.com/ViewProduct.asp?ModelNumber=DG621](http://www.firsttreks.com/ViewProduct.asp?ModelNumber=DG621), 1 p., accessed Nov. 20, 2009.  
Dog Running: Easier Does It, [www.nytimes.com/2008/02/14/fashion/14physical.html?\\_r=1](http://www.nytimes.com/2008/02/14/fashion/14physical.html?_r=1), 3 pp., accessed Nov. 13, 2009.  
Martingale collar, <http://cdn.overstock.com/images/products/L11419316a.jpg>, 1 p., accessed Nov. 20, 2009.

\* cited by examiner

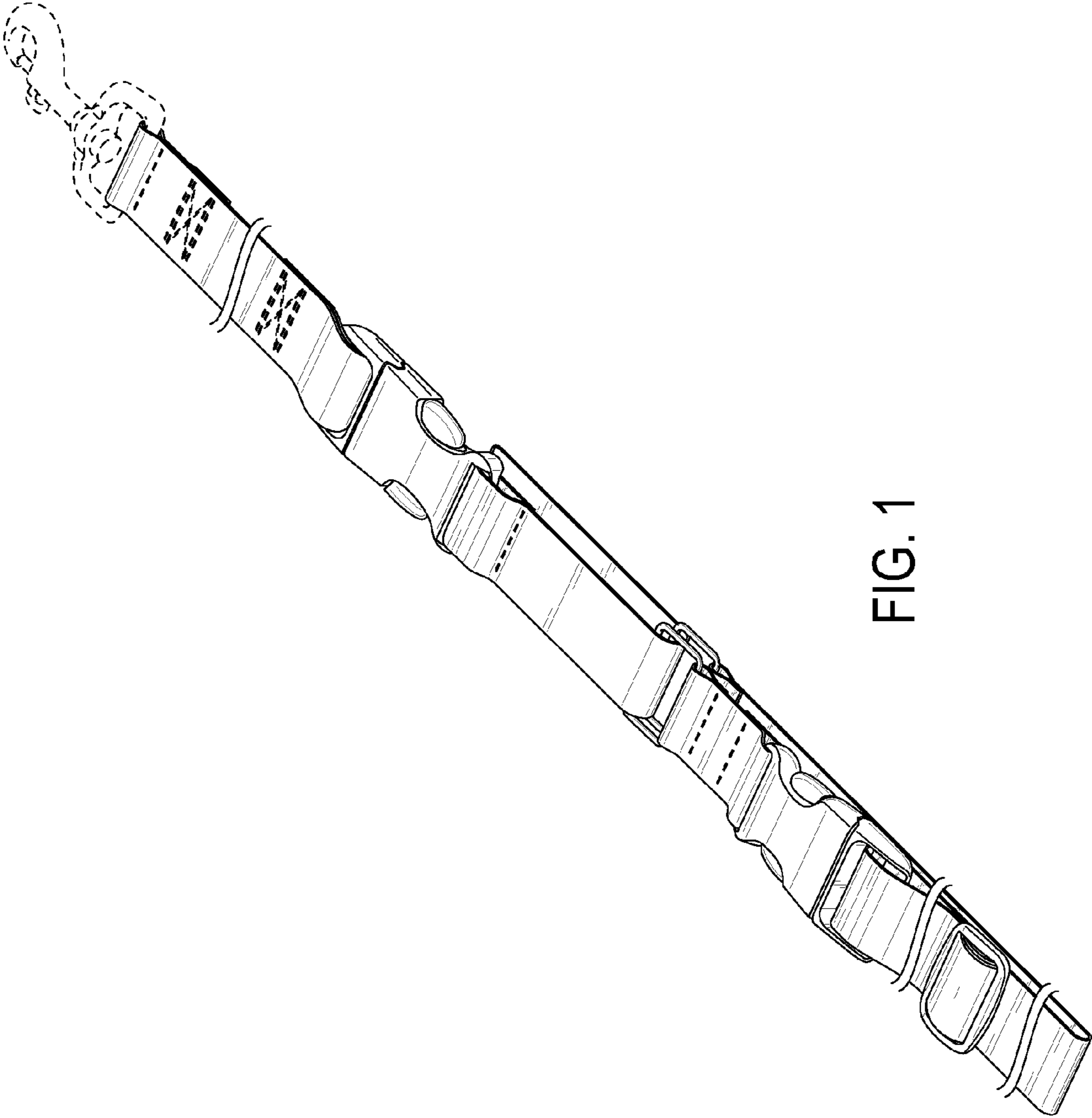


FIG. 1

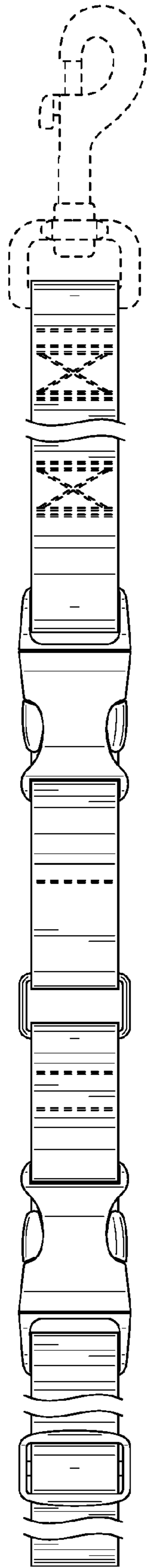


FIG. 2

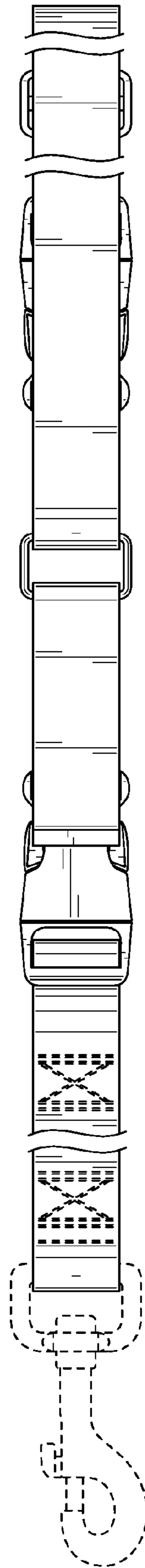


FIG. 3

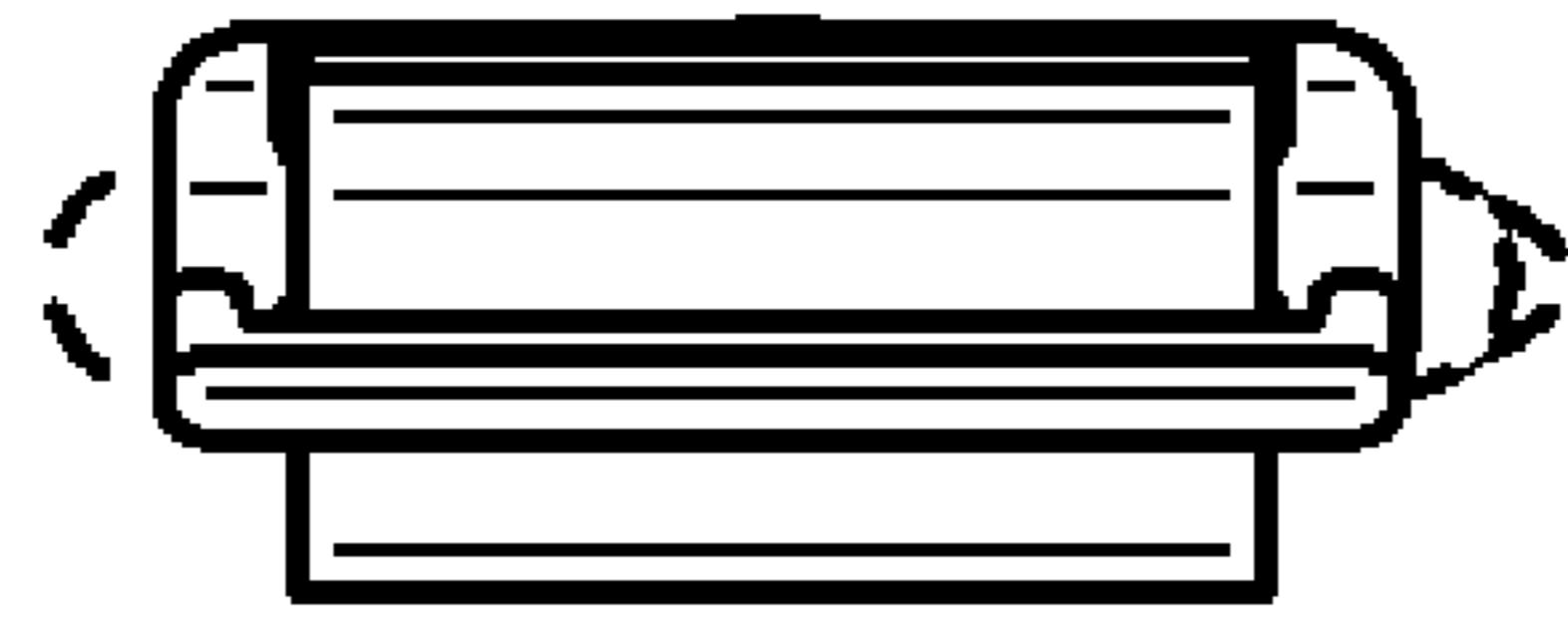


FIG. 4



FIG. 5

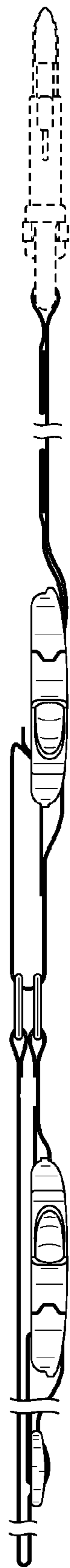


FIG. 6

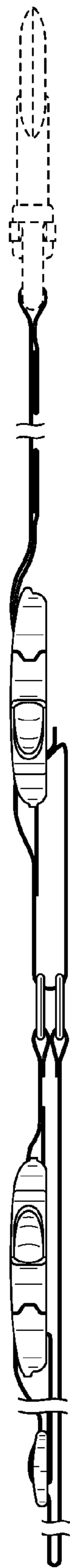


FIG. 7