



US00D669229S

(12) **United States Design Patent**
Andon

(10) **Patent No.:** **US D669,229 S**

(45) **Date of Patent:** **** Oct. 16, 2012**

(54) **JELLY FISH TANK**

(75) Inventor: **Alexander Urban Andon**, San Francisco, CA (US)

(73) Assignee: **Anyvivo, Inc.**, San Francisco, CA (US)

(**) Term: **14 Years**

(21) Appl. No.: **29/407,020**

(22) Filed: **Nov. 22, 2011**

(51) **LOC (9) Cl.** **30-02**

(52) **U.S. Cl.** **D30/101**

(58) **Field of Classification Search** D30/101-107;
D11/145, 152, 155, 157; 119/245-248, 253-256,
119/263-265

See application file for complete search history.

(56) **References Cited**

U.S. PATENT DOCUMENTS

D244,553 S	5/1977	Robert	
D255,273 S	6/1980	Robert	
D255,274 S	6/1980	Robert	
D255,949 S	7/1980	Robert	
D255,950 S	7/1980	Robert	
D304,246 S	10/1989	Ross et al.	
D327,233 S *	6/1992	McClellan D30/101
D418,634 S	1/2000	Harmony	
D449,717 S	10/2001	Fang	
D449,903 S	10/2001	Fang	
D449,904 S	10/2001	Fang	
D450,410 S	11/2001	Fang	
D451,249 S	11/2001	Fang	
D473,271 S *	4/2003	Yoshida et al. D30/101
D526,747 S	8/2006	Thomsen et al.	
D531,763 S	11/2006	Waldeck	

7,191,956 B2 *	3/2007	Lin 119/253
D542,980 S	5/2007	Scarrott	
D548,406 S	8/2007	Mihlbauer	
7,341,022 B2 *	3/2008	Ming 119/245
7,610,878 B2 *	11/2009	Stime, Jr. 119/245

OTHER PUBLICATIONS

Google Image Resut for <http://www.theconcepttimes.com/wp-content/uploads/2011/08/TechDrawing5602-1-450x351.jpg>. Viewed Jul. 6, 2012.*

* cited by examiner

Primary Examiner — Wan Laymon

(74) *Attorney, Agent, or Firm* — Greenberg Traurig LLP; Cecily Anne O'Regan

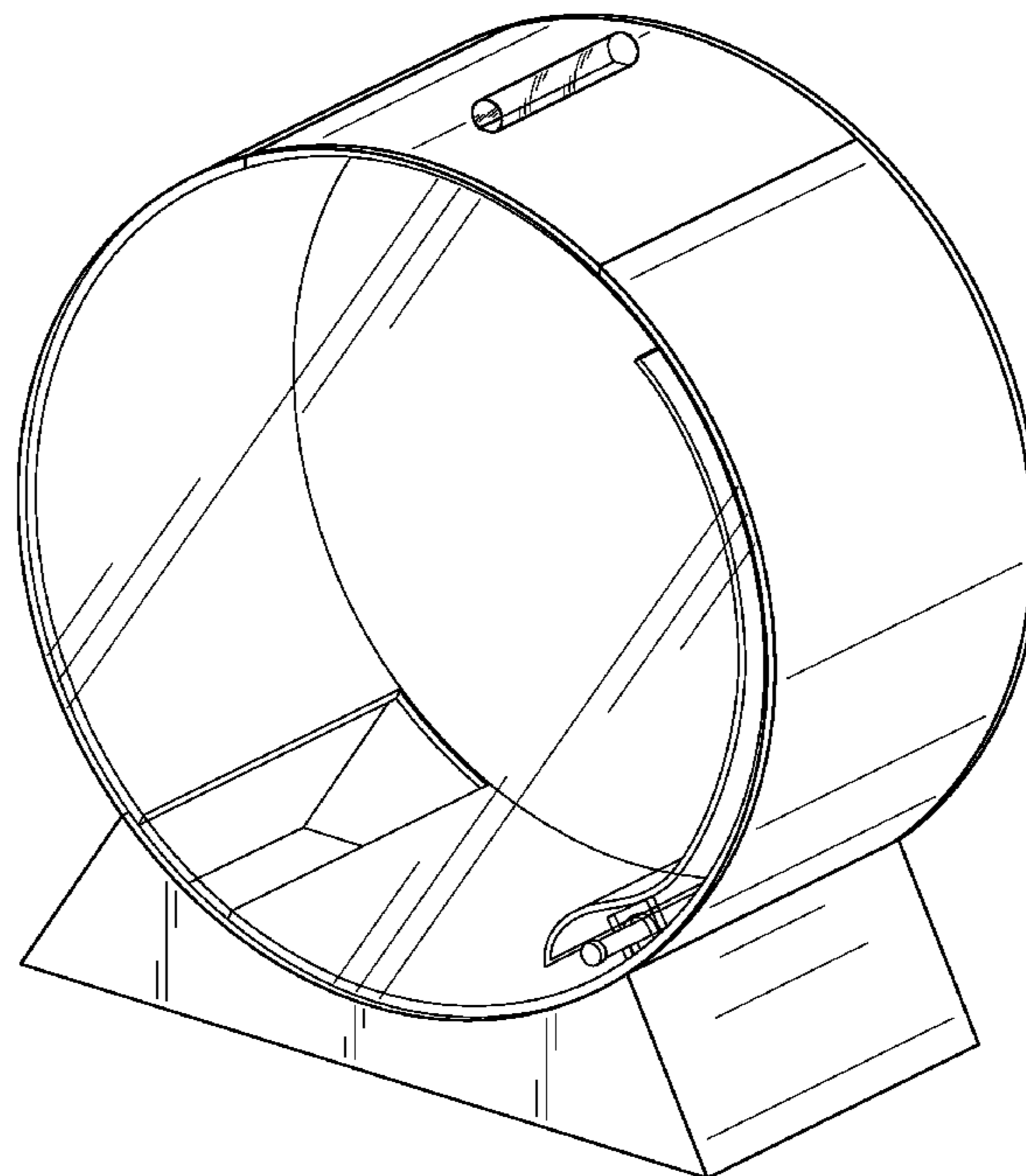
(57) **CLAIM**

The ornamental design for a jelly fish tank, as shown and described.

DESCRIPTION

FIG. 1 is a perspective view of a jelly fish tank.
FIG. 2 is a front plan view of a jelly fish tank.
FIG. 3 is a rear plan view of a jelly fish tank.
FIG. 4 is a right side plan view of a jelly fish tank.
FIG. 5 is a left side plan view of a jelly fish tank.
FIG. 6 is a top plan view of a jelly fish tank; and,
FIG. 7 is a bottom plan view of a jellyfish tank.
The broken lines in FIG. 7 represent portions of the jelly fish tank that form no part of the claimed design.

1 Claim, 5 Drawing Sheets



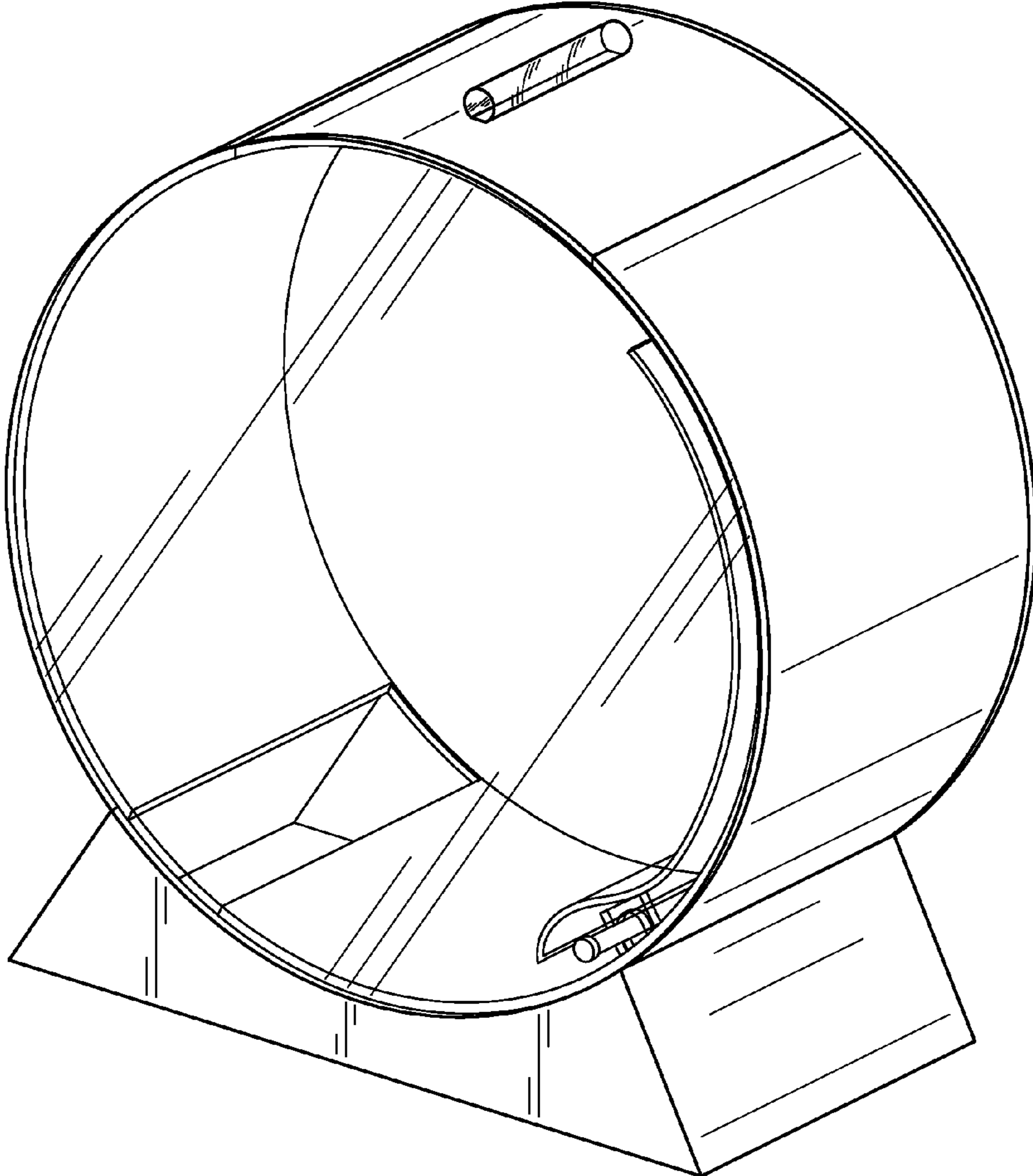


FIG. 1

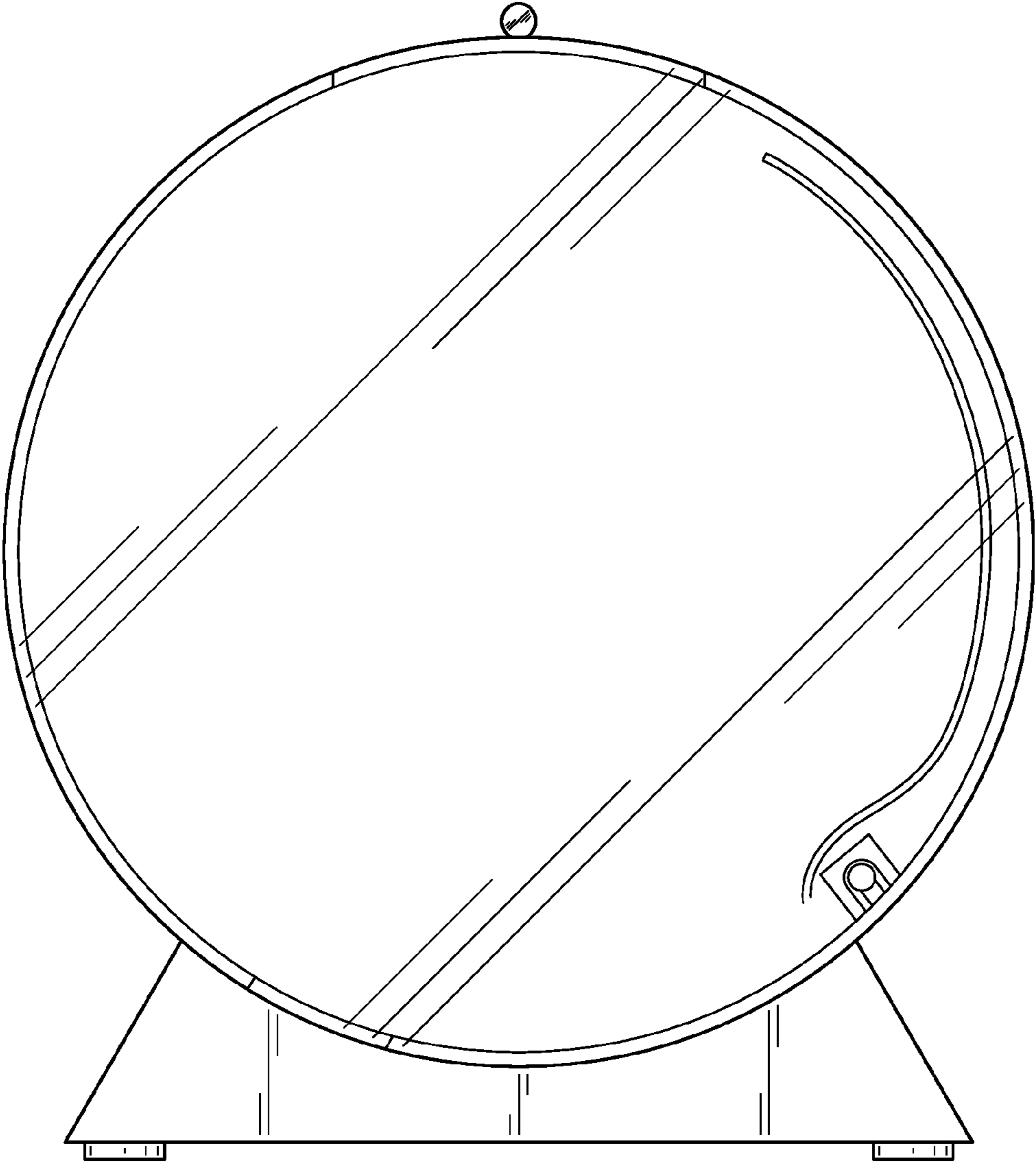


FIG. 2

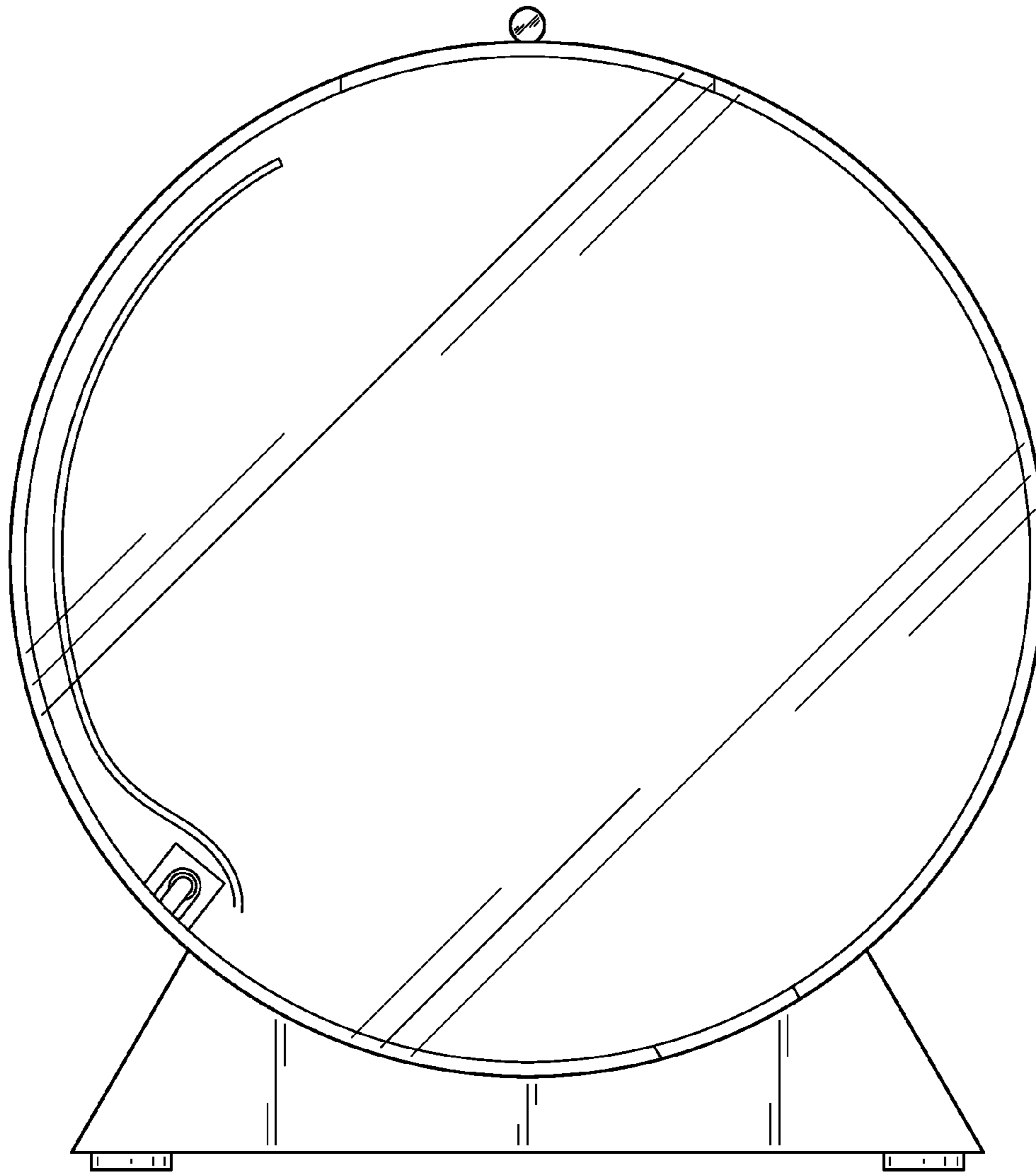


FIG. 3

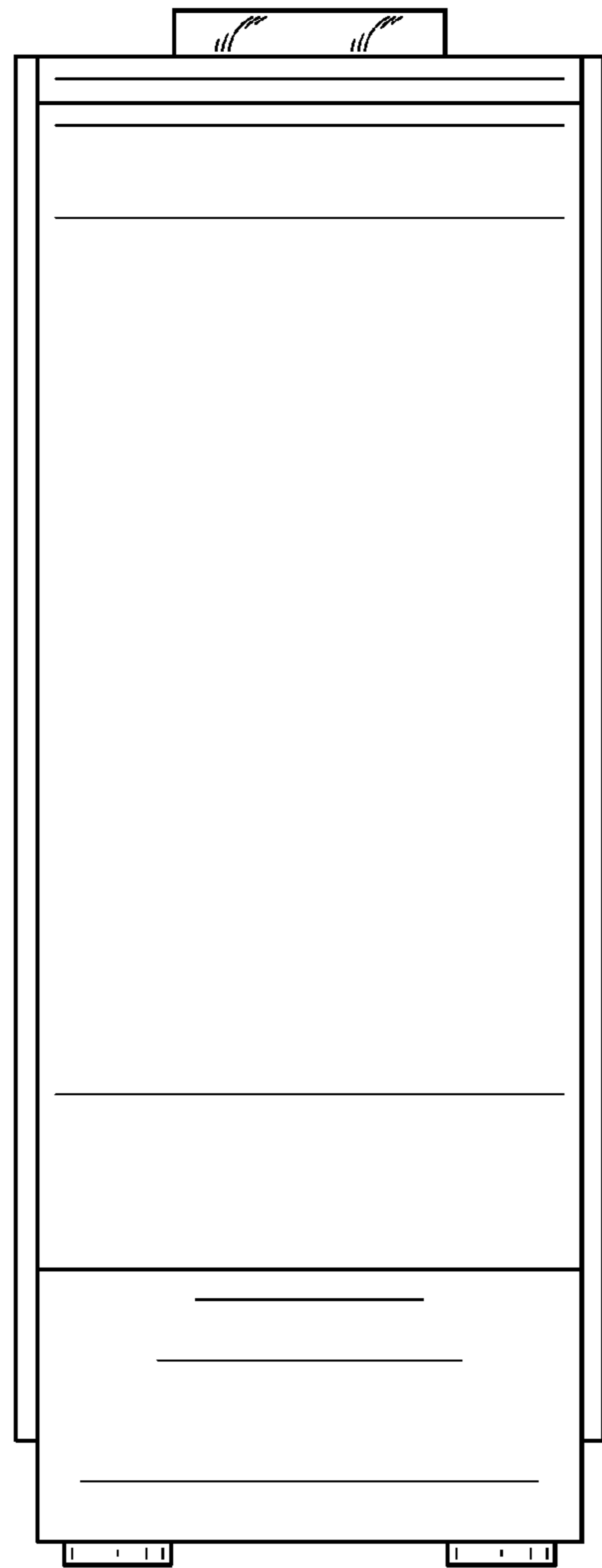


FIG. 4

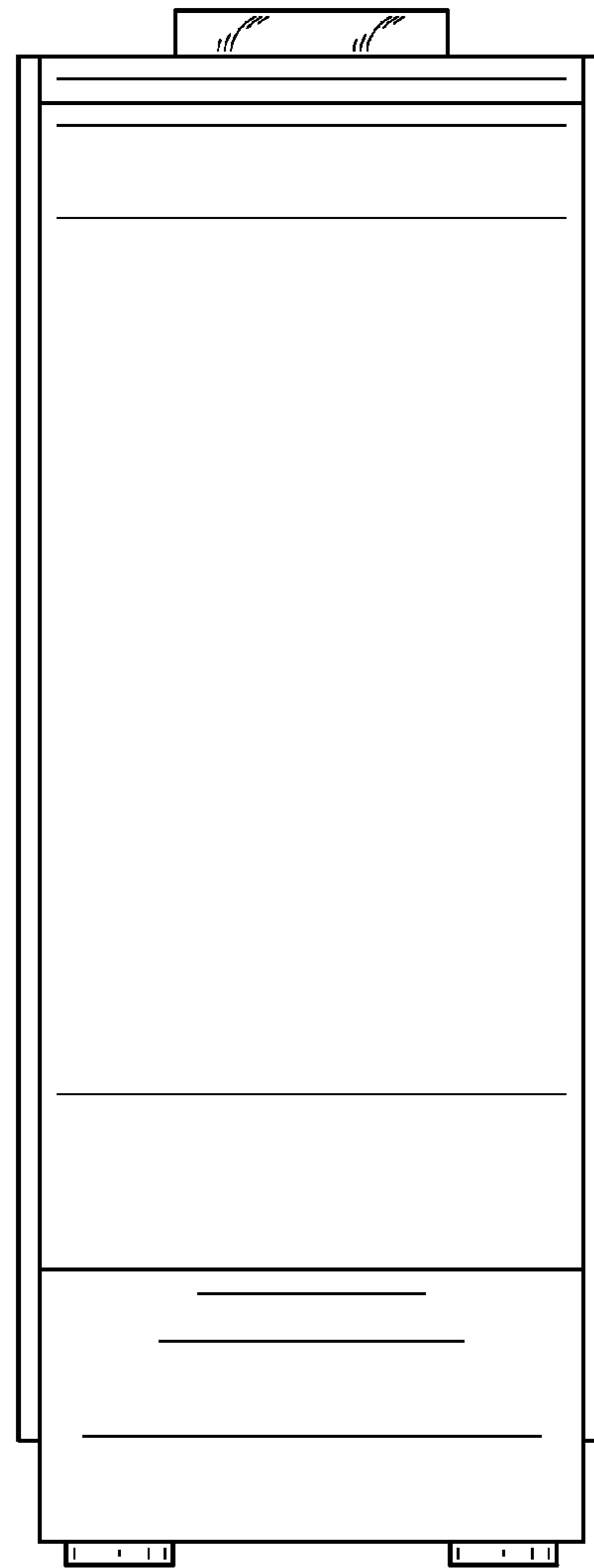


FIG. 5

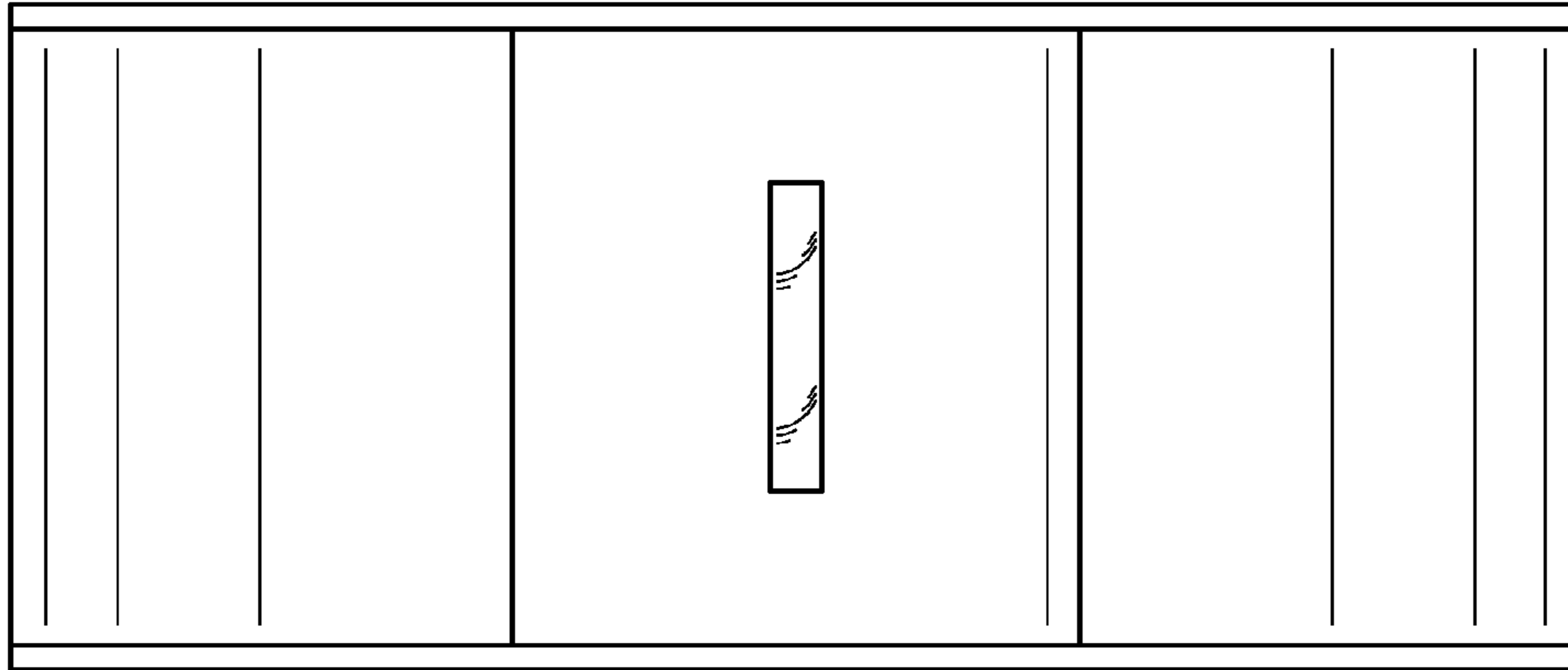


FIG. 6

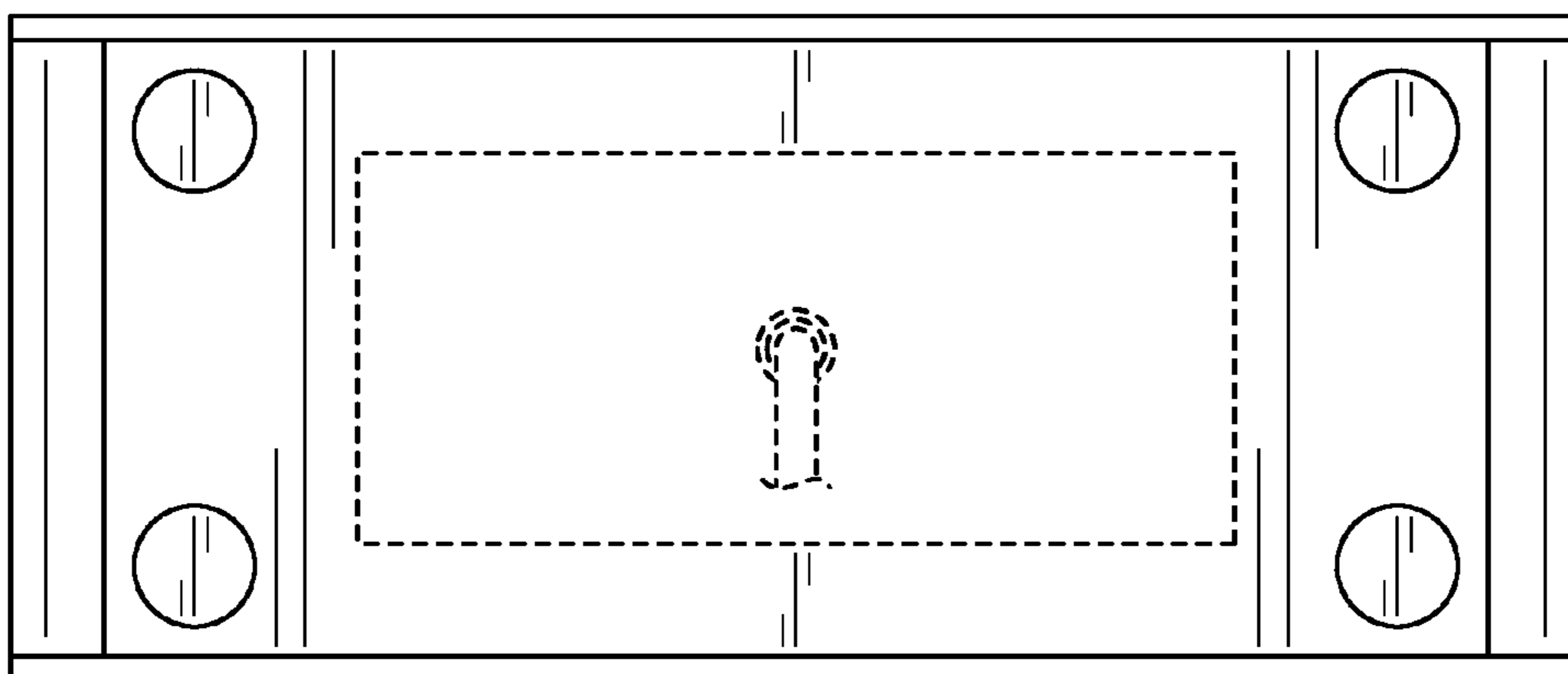


FIG. 7