



US00D669228S

(12) **United States Design Patent**
Smith

(10) **Patent No.:** **US D669,228 S**
(45) **Date of Patent:** **** Oct. 16, 2012**

(54) **PROTECTIVE LEG PAD**

(75) Inventor: **Peter B. Smith**, Brockport, NY (US)
(73) Assignee: **Warrior Sports, Inc.**, Warren, MI (US)
(**) Term: **14 Years**

(21) Appl. No.: **29/393,542**

(22) Filed: **Jun. 6, 2011**

(51) **LOC (9) Cl.** **29-02**

(52) **U.S. Cl.** **D29/120.1**

(58) **Field of Classification Search** D29/100,
D29/101.1, 101.2, 101.3, 101.4, 101.5, 120.1,
D29/120.2, 121.1, 121.2, 122; D2/858; D24/189,
D24/190; 2/16, 20–24, 62, 267, 455, 459,
2/461–468, 910, 911; 602/3, 5, 6, 16, 23,
602/26

See application file for complete search history.

(56) **References Cited**

U.S. PATENT DOCUMENTS

3,323,151	A *	6/1967	Lerman	5/722
4,346,525	A *	8/1982	Larsen et al.	36/69
4,868,926	A *	9/1989	Lowson	2/22
5,093,931	A *	3/1992	LaBerge et al.	2/22
5,328,652	A *	7/1994	Thomson	264/51
5,711,029	A *	1/1998	Visco et al.	2/24
5,924,140	A *	7/1999	Chi	2/455
7,220,158	B1 *	5/2007	Norris	441/74
D554,296	S *	10/2007	Darche	D29/120.1
7,823,218	B2 *	11/2010	Goyer et al.	2/22
8,161,569	B2 *	4/2012	Hudon et al.	2/22
2007/0250977	A1 *	11/2007	Brown et al.	2/22

OTHER PUBLICATIONS

Itech Pads.
Bauer Pads.
Reebok SR9K Pads.
Reebok Pulse Pads.

* cited by examiner

Primary Examiner — Raphael Barkai
Assistant Examiner — Randall Gholson

(74) *Attorney, Agent, or Firm* — Warner Norcross & Judd LLP

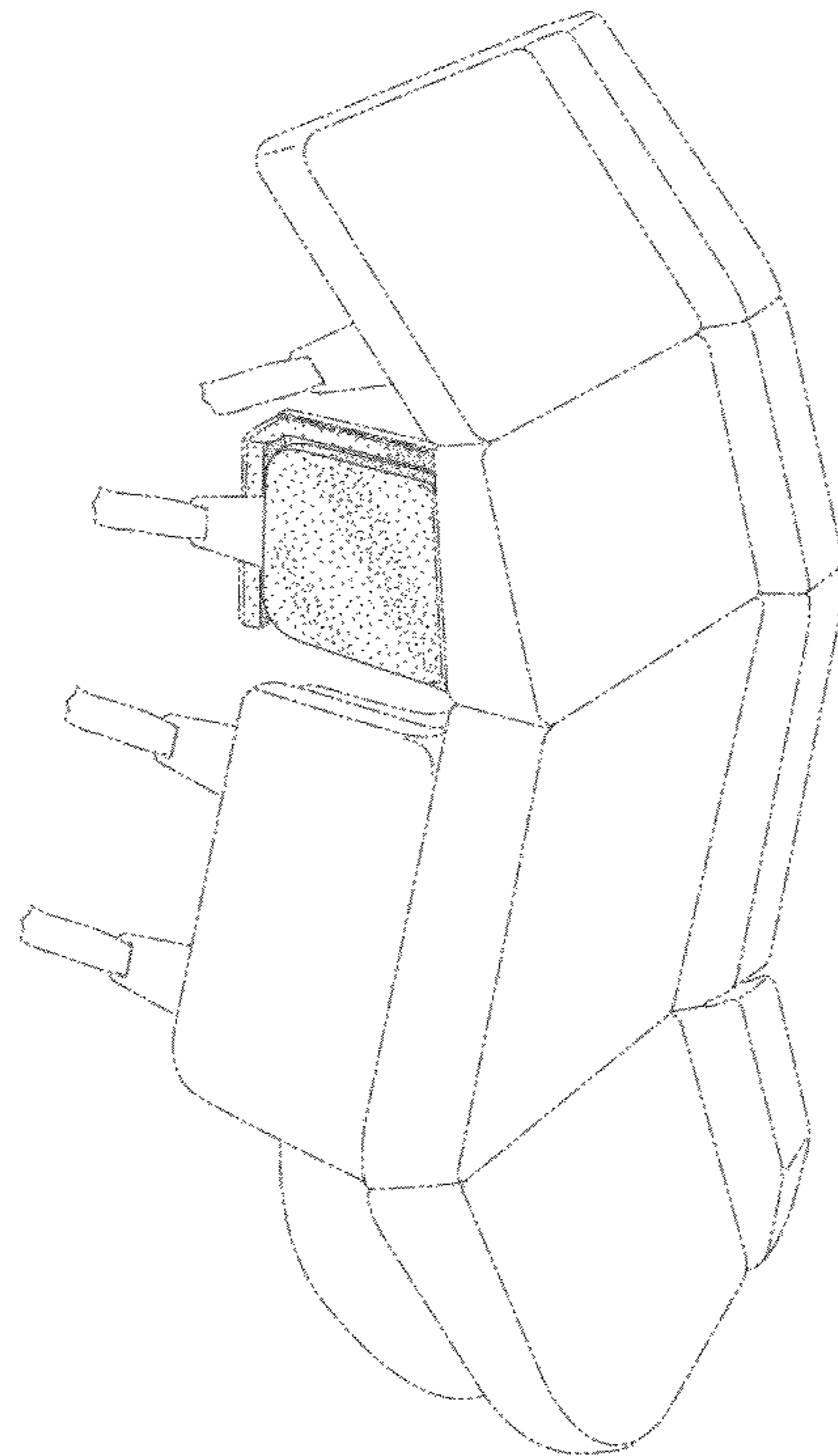
(57) **CLAIM**

The ornamental design for protective leg pad, as shown and described.

DESCRIPTION

FIG. 1 is a perspective view of the protective leg pad embodying a first embodiment of the new design; FIG. 2 is a side view thereof; FIG. 3 is a top view thereof; FIG. 4 is a bottom view thereof; and, FIG. 5 is a rear view thereof. FIGS. 1-5 show features of a protective leg pad in phantom lines. These features are shown for environmental purposes and do not form any part of the claimed design. Further, the phantom lines immediately adjacent the solid-line portions of the design form the boundary of the design, with the phantom lines forming no part of the claimed design.

1 Claim, 2 Drawing Sheets



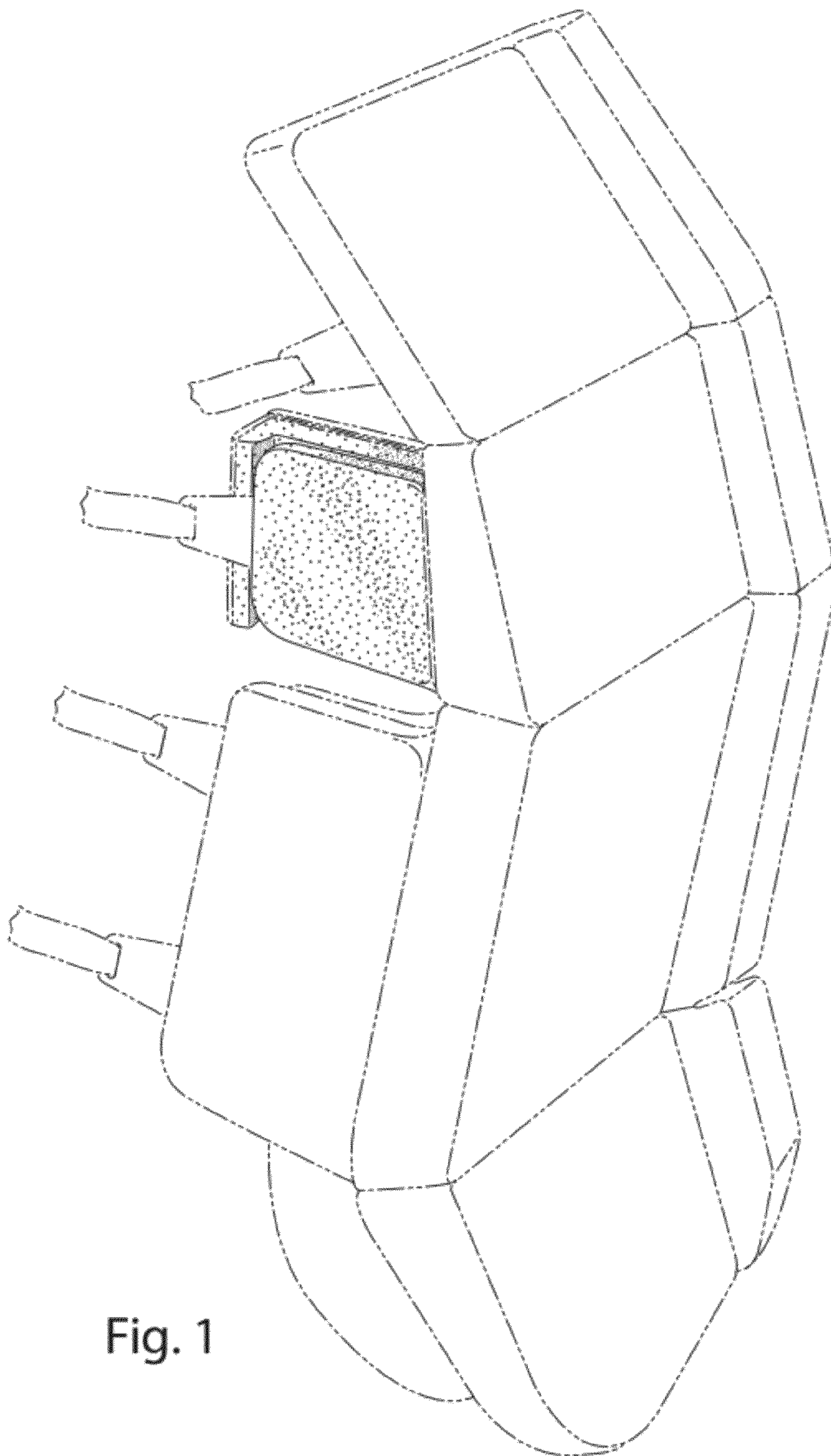


Fig. 1

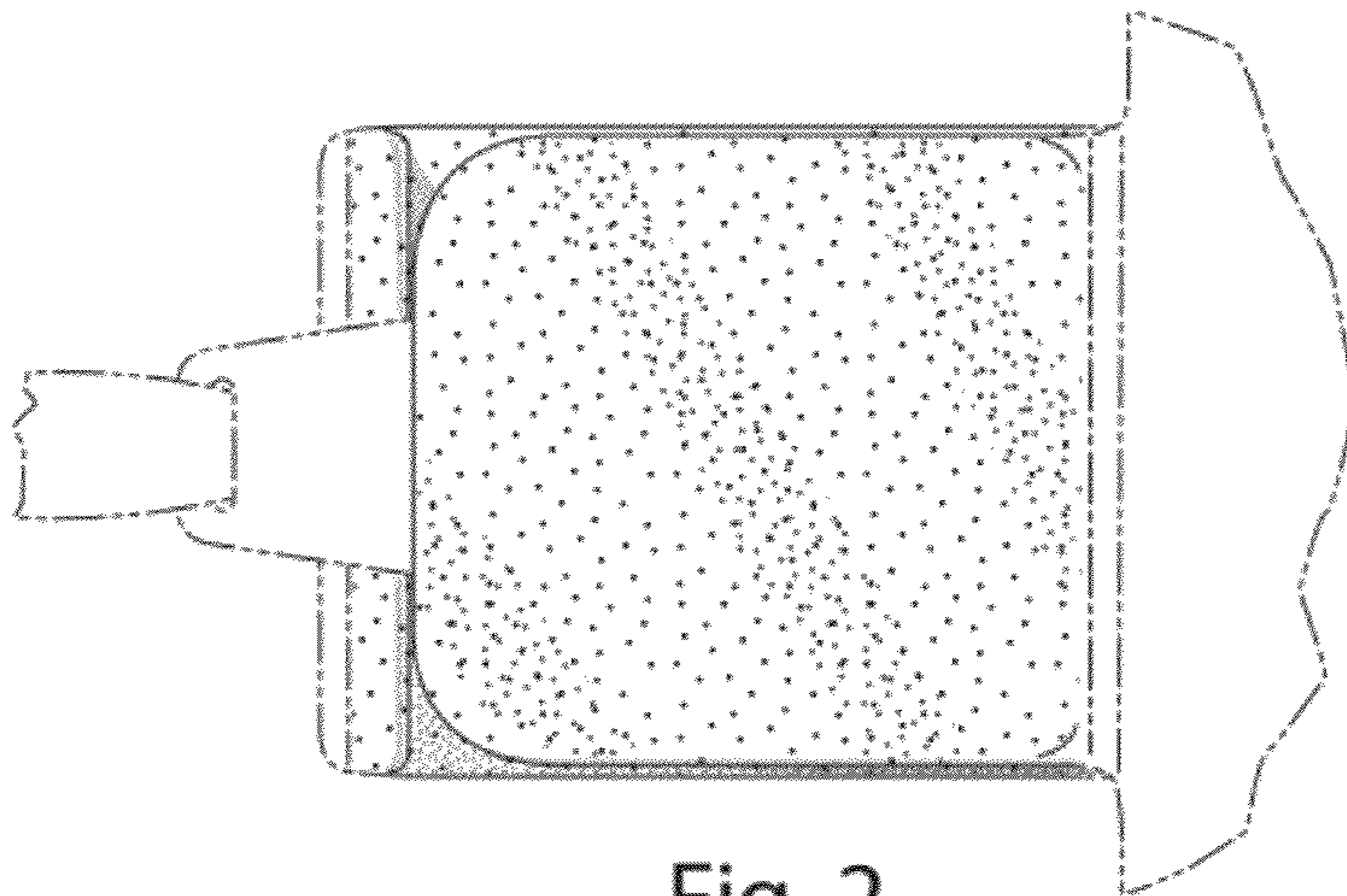


Fig. 2

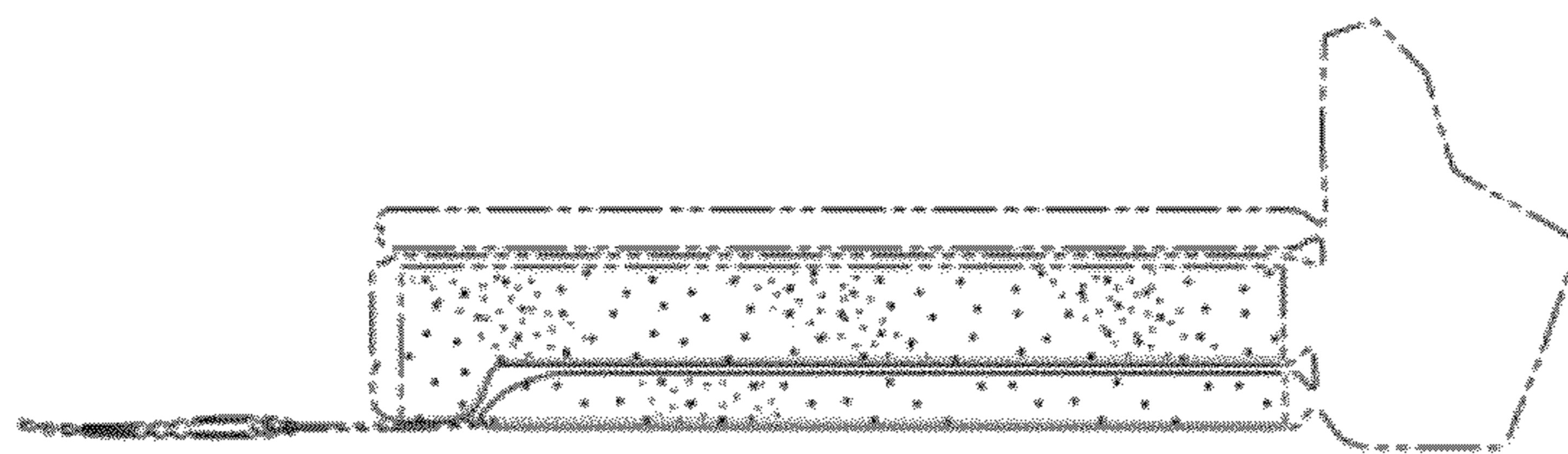


Fig. 3



Fig. 5

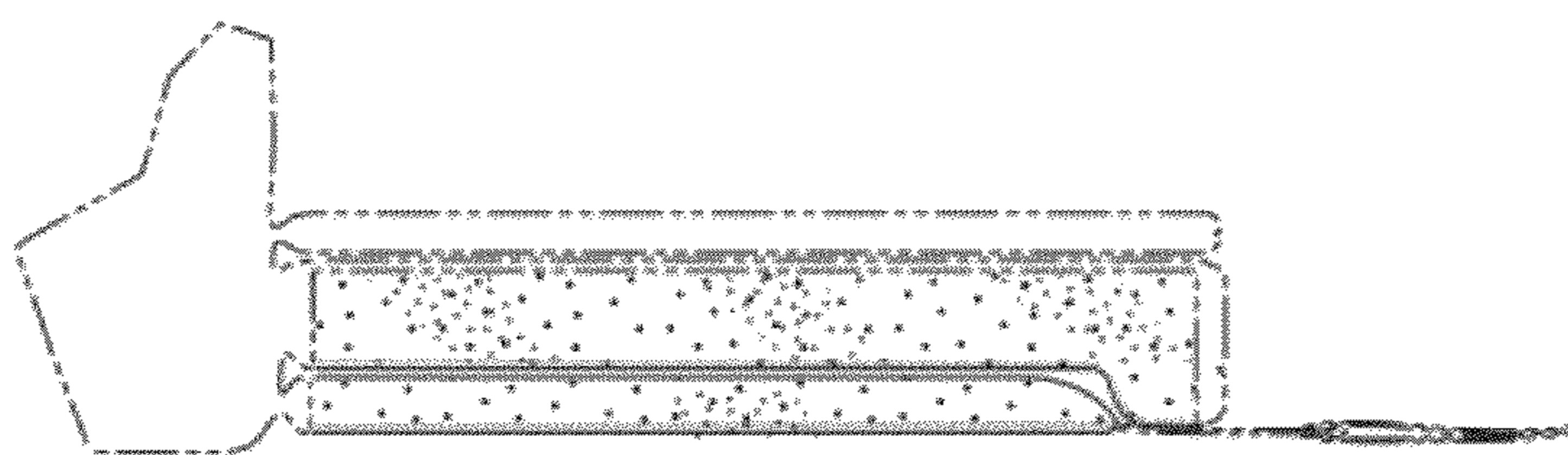


Fig. 4