

US00D669224S

(12) **United States Design Patent**
Morris

(10) **Patent No.:** **US D669,224 S**

(45) **Date of Patent:** **** Oct. 16, 2012**

(54) **ATTACHABLE BRAID**

(76) Inventor: **Lori M. Morris**, Jacksonville, FL (US)

(**) Term: **14 Years**

(21) Appl. No.: **29/382,154**

(22) Filed: **Dec. 29, 2010**

(51) **LOC (9) Cl.** **28-04**

(52) **U.S. Cl.** **D28/92**

(58) **Field of Classification Search** D28/40,

D28/92, 93; 132/53-56, 201; D2/866

See application file for complete search history.

D561,939 S 2/2008 Madden

D588,341 S 3/2009 Turner

D589,688 S 4/2009 Turner

D592,832 S 5/2009 Radell

D611,200 S 3/2010 Packard

* cited by examiner

Primary Examiner — Zenia Bennett

(74) *Attorney, Agent, or Firm* — QuickPatents, Inc.; Kevin Prince

(57) **CLAIM**

I claim the ornamental design for an attachable braid, as shown and described.

(56) **References Cited**

U.S. PATENT DOCUMENTS

D244,236 S	5/1977	Kyle	
D356,398 S	3/1995	Hafid	
5,501,239 A *	3/1996	Walker	132/275
5,658,150 A *	8/1997	Moreau	434/156
D406,189 S	3/1999	Hosogai	
5,890,498 A *	4/1999	Kawaguchi	132/275
D431,326 S	9/2000	Sartena	
D431,689 S *	10/2000	Sartena	D28/92
D432,271 S	10/2000	Sartena	
D433,194 S *	10/2000	Sartena	D28/92
D434,184 S	11/2000	Acker	
D436,422 S	1/2001	Sartena	
D438,672 S	3/2001	Sartena	
D451,641 S *	12/2001	Sartena	D28/40
D488,587 S	4/2004	Puorro	
D501,280 S	1/2005	Kole	
D501,281 S	1/2005	Kole	
D561,938 S	2/2008	Madden	

DESCRIPTION

FIG. 1 is a perspective view of a first embodiment of an attachable braid, showing the new design, and illustrated in an in-use configuration;

FIG. 2 is a front elevational view thereof, illustrated in a flat configuration;

FIG. 3 is a rear elevational view of FIG. 2;

FIG. 4 is a right-side elevational view of FIG. 2;

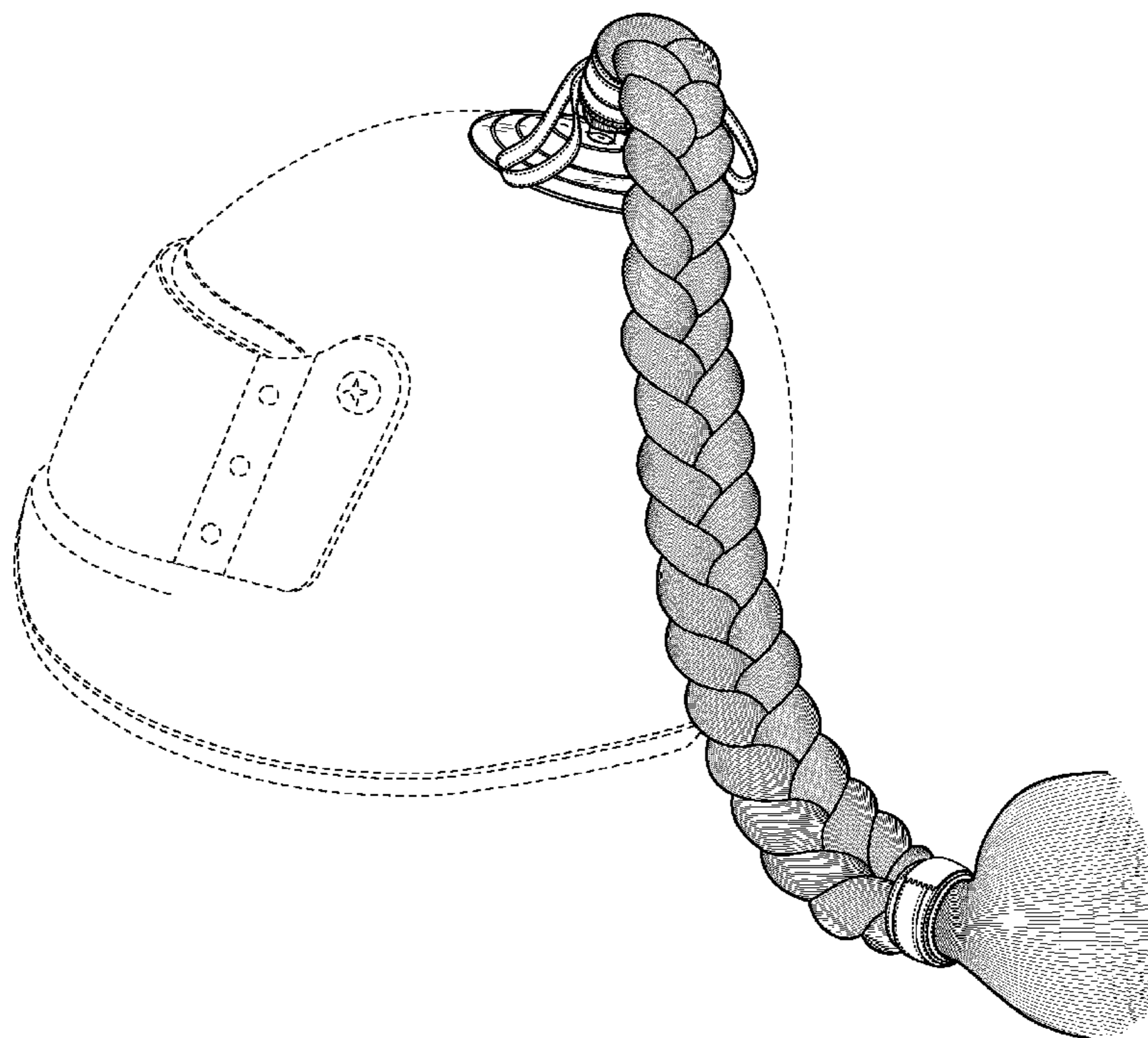
FIG. 5 is a left-side elevational view of FIG. 2;

FIG. 6 is a top plan view of FIG. 2; and,

FIG. 7 is a bottom plan view of FIG. 2.

The broken lines on the ribbon and band of the braid represent stitching.

1 Claim, 3 Drawing Sheets



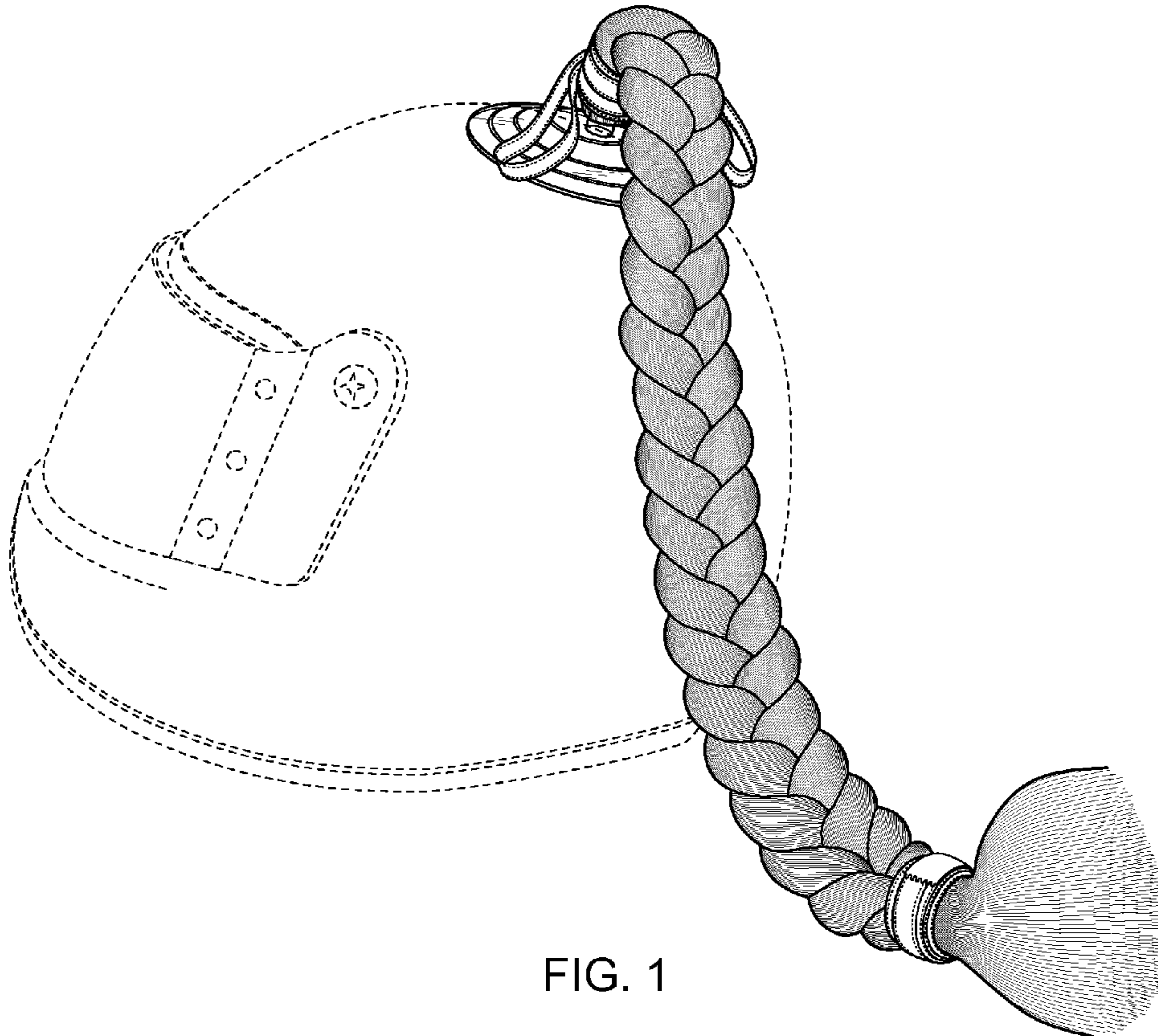


FIG. 1

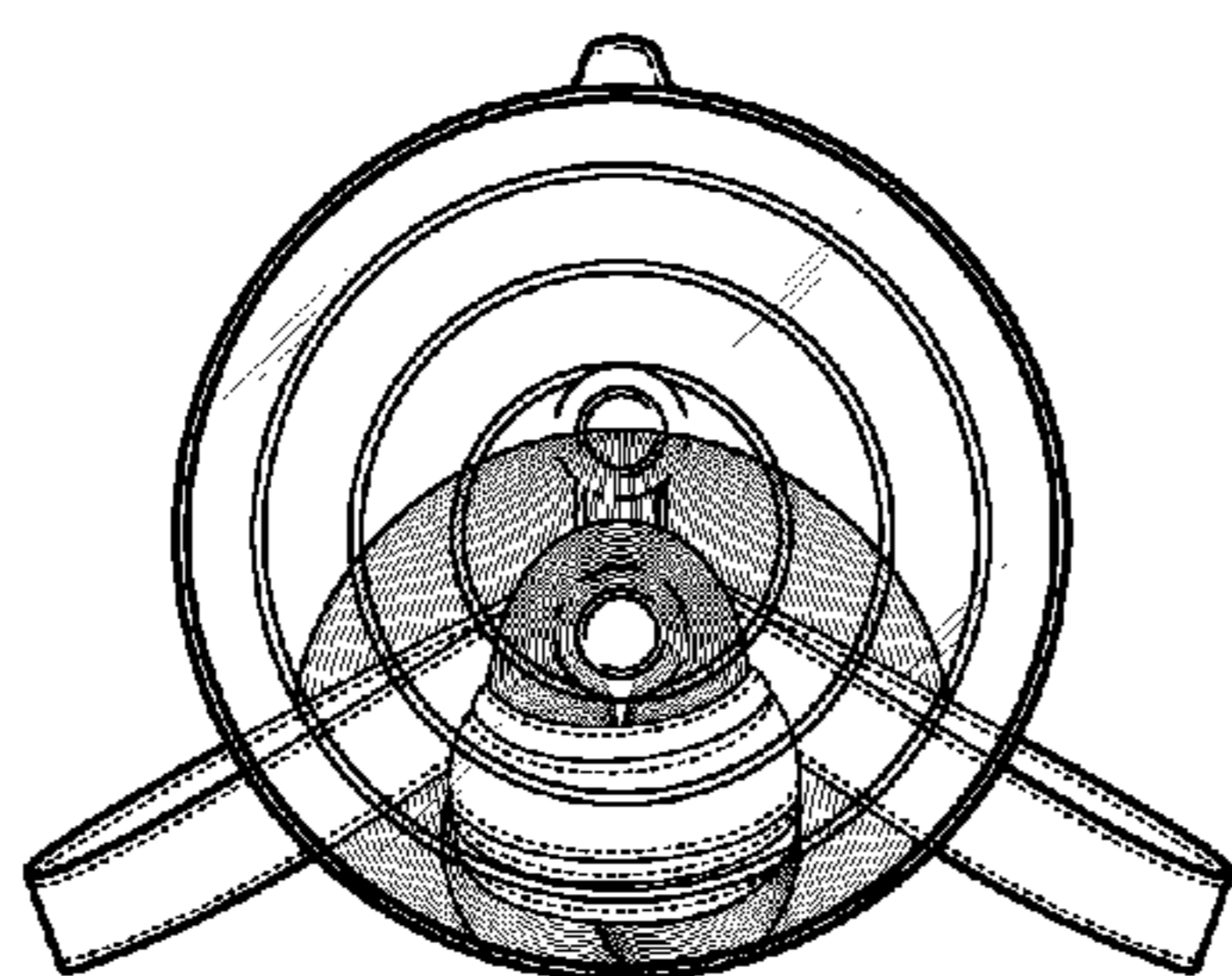


FIG. 2

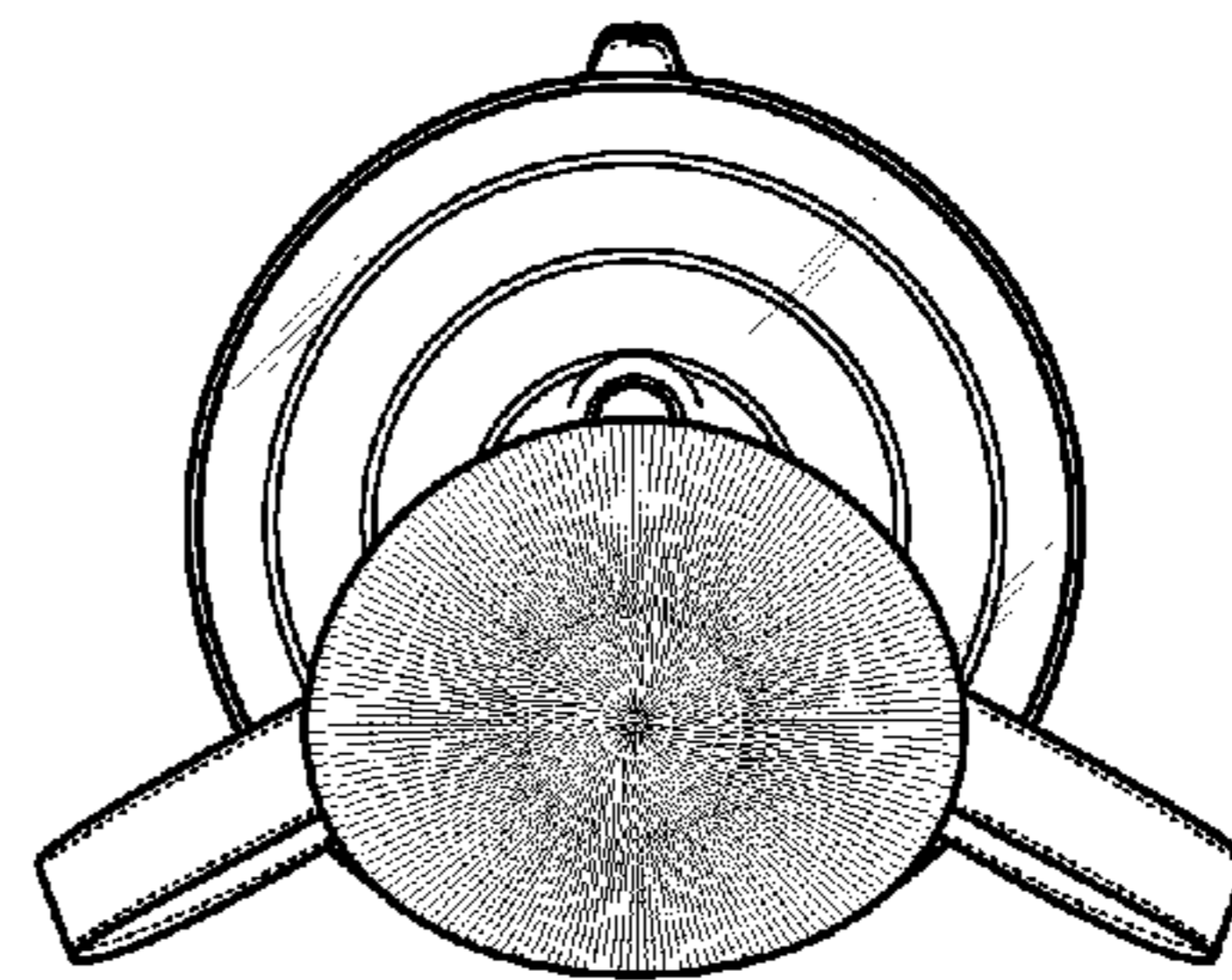


FIG. 3

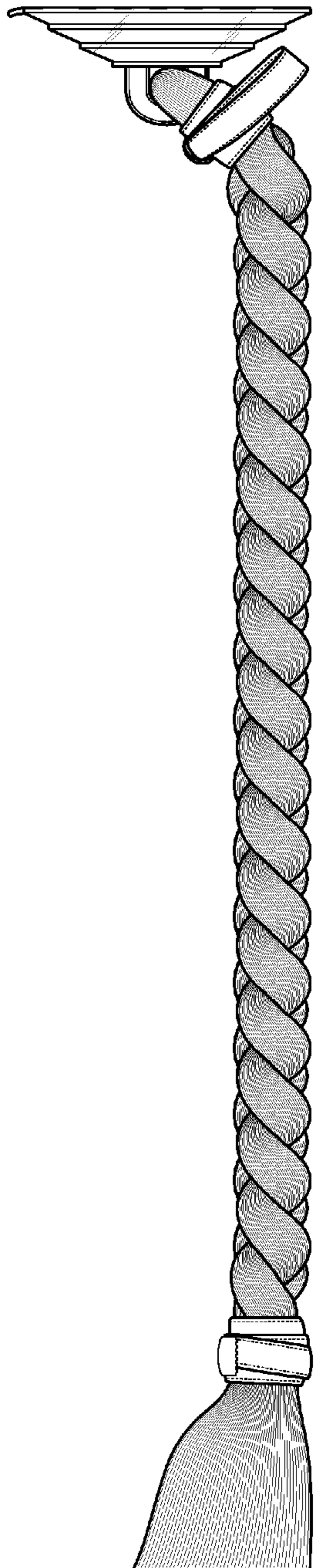


FIG. 4

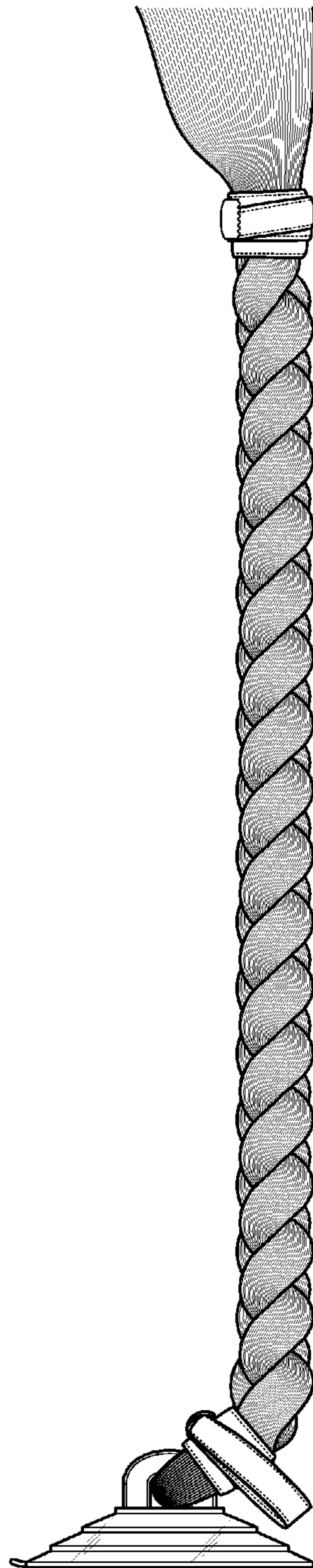


FIG. 5

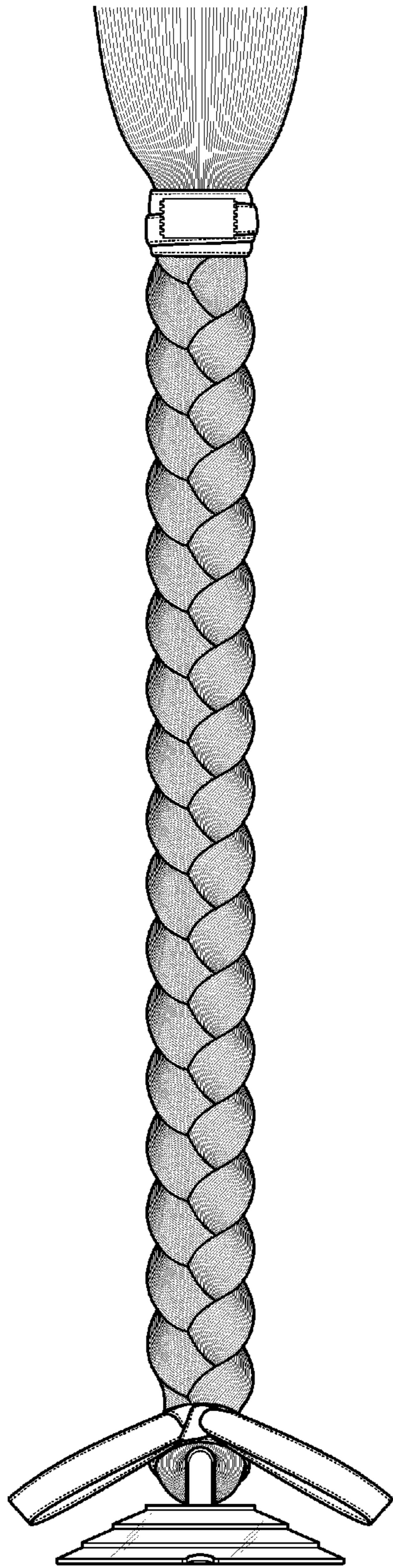


FIG. 6

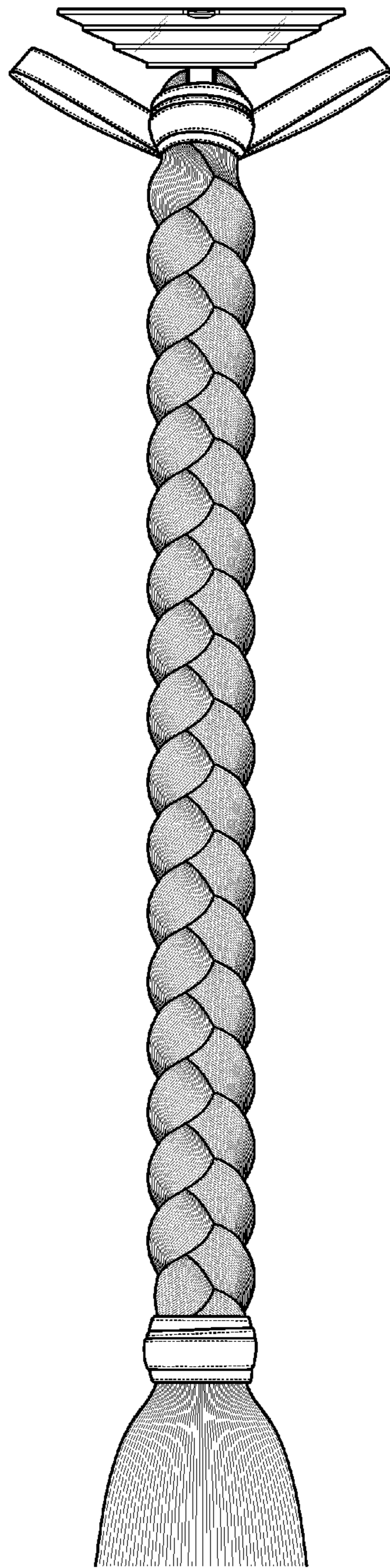


FIG. 7