



US00D669223S

(12) **United States Design Patent**
Lee et al.

(10) **Patent No.:** **US D669,223 S**
(45) **Date of Patent:** **** Oct. 16, 2012**

(54) **ARTIFICIAL EYELASH TRAY**

(75) Inventors: **Jaene Lee**, Port Washington, NY (US);
Wonseok Oh, Port Washington, NY (US)

(73) Assignee: **Kiss Nail Products, Inc.**, Port Washington, NY (US)

(**) Term: **14 Years**

(21) Appl. No.: **29/403,962**

(22) Filed: **Oct. 13, 2011**

(51) **LOC (9) Cl.** **28-03**

(52) **U.S. Cl.** **D28/73**

(58) **Field of Classification Search** D28/9,
D28/10, 73-75; 206/581, 823, 558, 561-566;
211/70.6; 132/216, 333, 314

See application file for complete search history.

(56) **References Cited**

U.S. PATENT DOCUMENTS

2,835,259	A	5/1958	Goodman	
3,532,221	A *	10/1970	Kaluhiokalani et al.	211/70.6
4,722,440	A *	2/1988	Johnston	206/563
D386,615	S *	11/1997	Minami	D3/295
7,222,629	B1 *	5/2007	Han	132/216
D631,607	S *	1/2011	Hall	D28/73
D640,834	S *	6/2011	Chen	D28/83
2005/0061341	A1	3/2005	Choe	
2007/0272264	A1	11/2007	Byrne	
2010/0051500	A1 *	3/2010	Mendez	206/561
2010/0170526	A1 *	7/2010	Nguyen	132/201
2012/0000957	A1 *	1/2012	Martinez	225/57

OTHER PUBLICATIONS

Ardell® DuraLash™ Starter Kit; <http://ak.buy.com/PI/0/500/216039503.jpg>; retrieved on Jul. 13, 2011; 1 page.

Eylure Lash Extend; <http://www.blushcosmetics.com/images/uploads/eyfl017.jpg>; retrieved on Jul. 13, 2011; 1 page.

Andrea PermaLash; <http://lh4.googleusercontent.com/public/b7XC68sChasWlmjAcAFnyGo4I3MT5xiBFmDS...>; retrieved on Jul. 13, 2011; 1 page.

Accent Half Lash Collection by Ardell; <http://lushlashes.com/Half-FalseEyelashes.asp>; retrieved on Jul. 14, 2011; 2 pages.

Partial Floral Feather by Shu Uemura Mystic Nature; http://shuueamura_usa.com/_us/_en/accessories/false-eyelashes/acce...; copyright © 2011; 1 page.

Magical Windfalls Partial False Eyelashes by Shu Uemura Mystic Nature; http://shuueamura-usa.com/_us/_en/accessories/false-eyelashes/acce...; copyright © 2011; 1 page.

Shu uemura; Shu Uemura Training Manual; Fall 2007; Tokyo Lash Bar 2007; 2 pages.

* cited by examiner

Primary Examiner — Jennifer Rivard

(74) *Attorney, Agent, or Firm* — Collard & Roe, P.C.

(57) **CLAIM**

The ornamental design for an artificial eyelash tray, as shown and described.

DESCRIPTION

FIG. 1 is a perspective view of an artificial eyelash tray showing our new design;

FIG. 2 is a front elevational view thereof;

FIG. 3 is a back elevational view thereof;

FIG. 4 is a first side elevational view thereof;

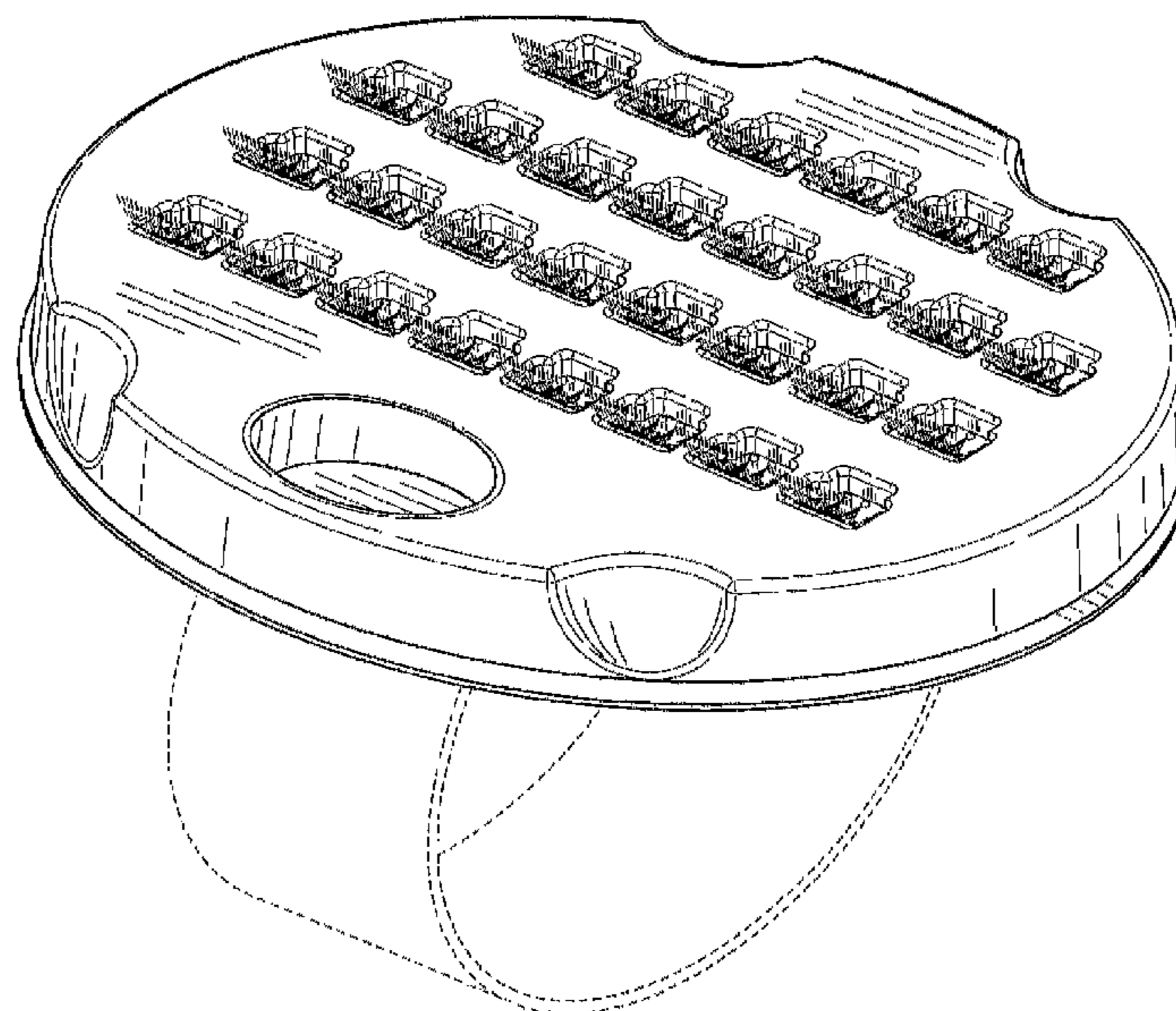
FIG. 5 is a second side elevational view thereof, opposite said first side;

FIG. 6 is a top view thereof; and,

FIG. 7 is a bottom view thereof.

The elements shown in broken lines depict environmental structure only and form no part of the claimed design.

1 Claim, 4 Drawing Sheets



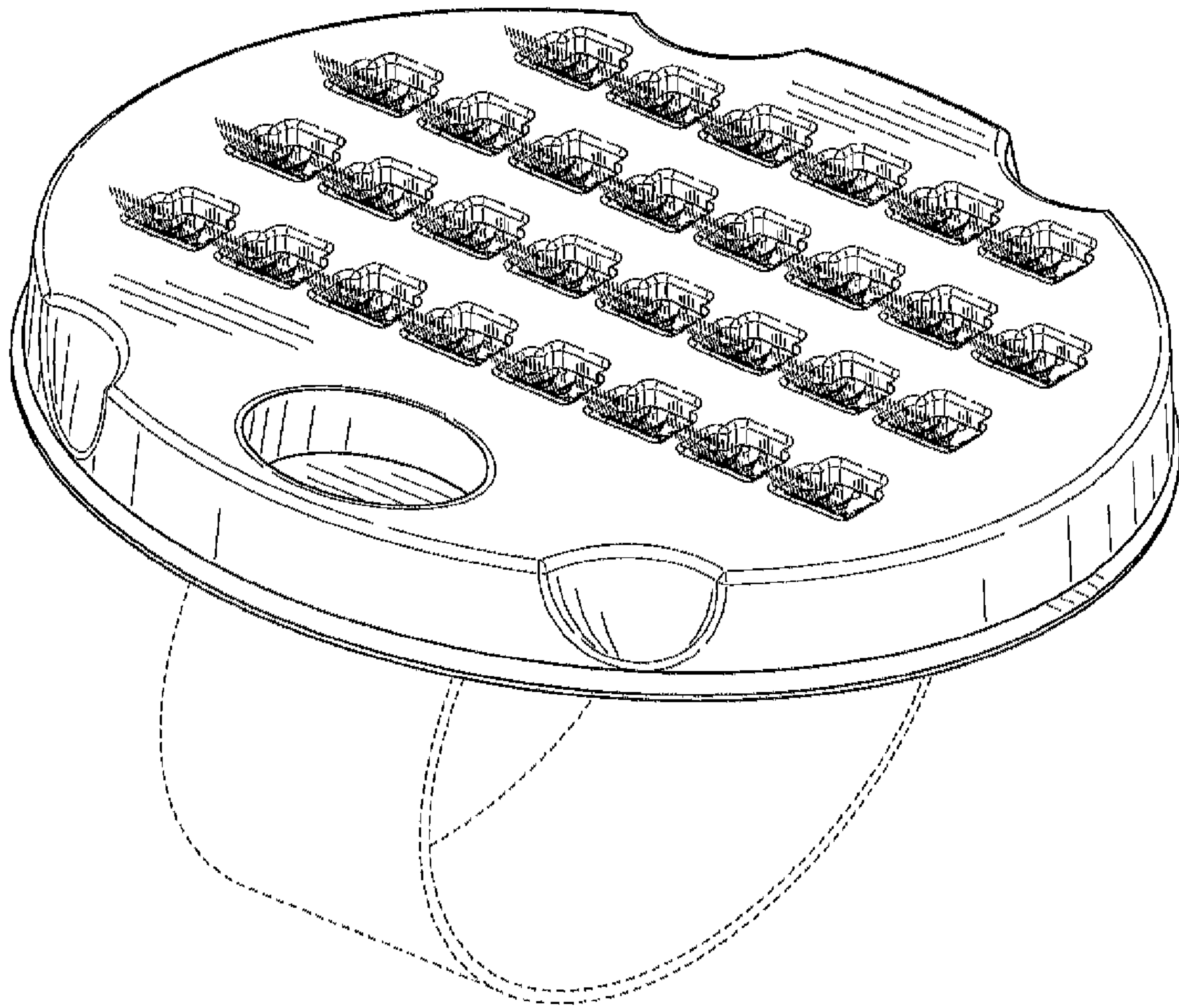


FIG. 1

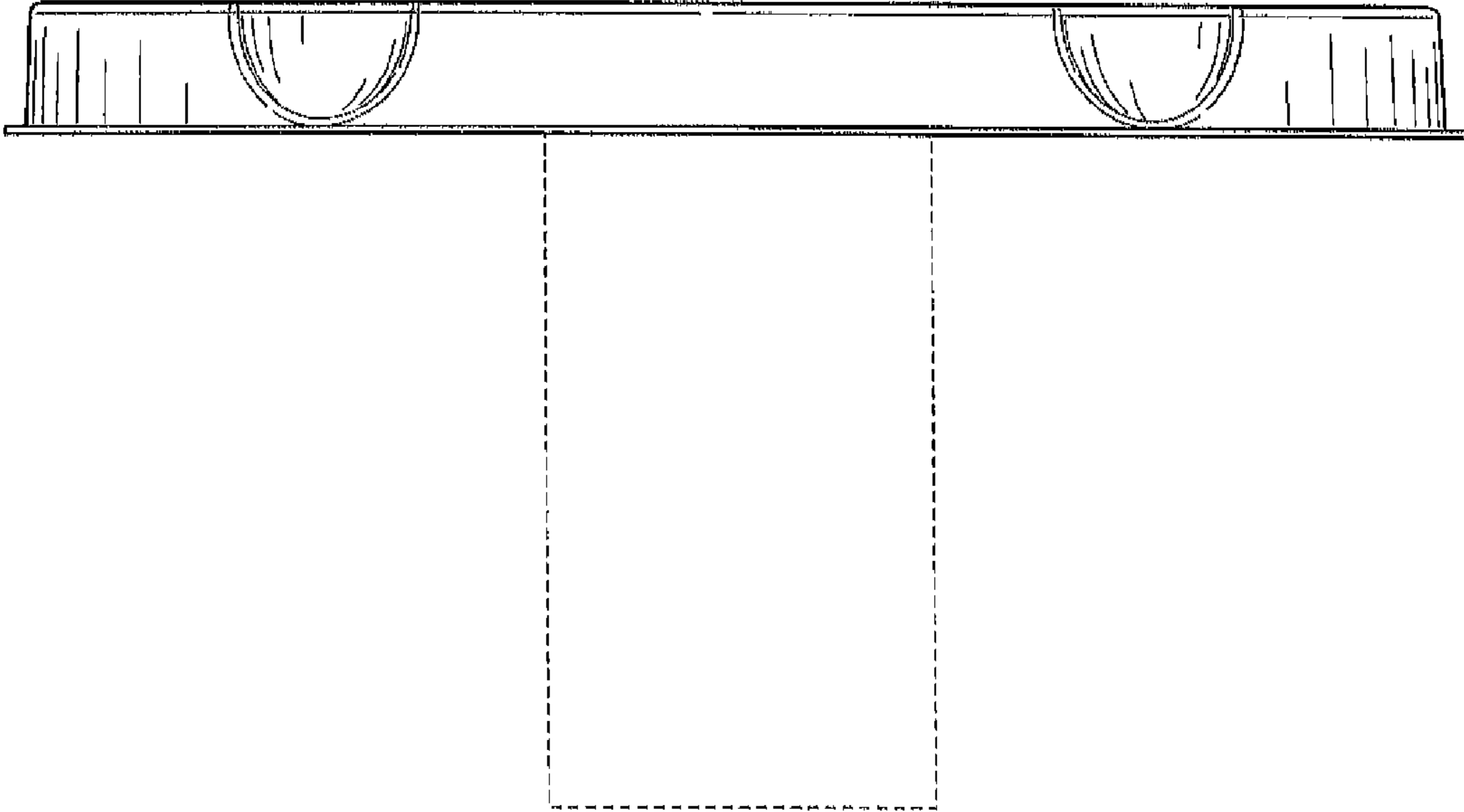


FIG. 2

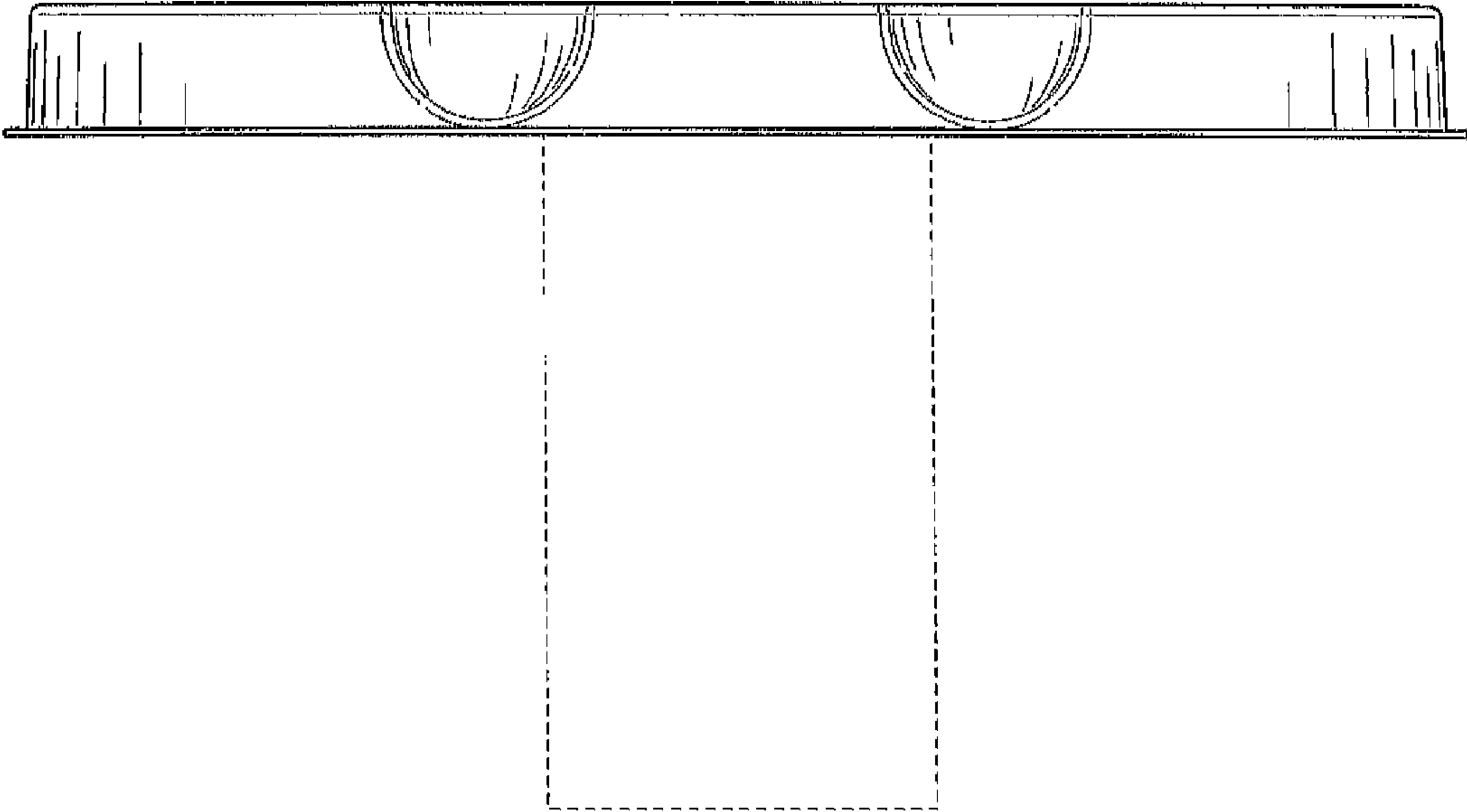


FIG. 3

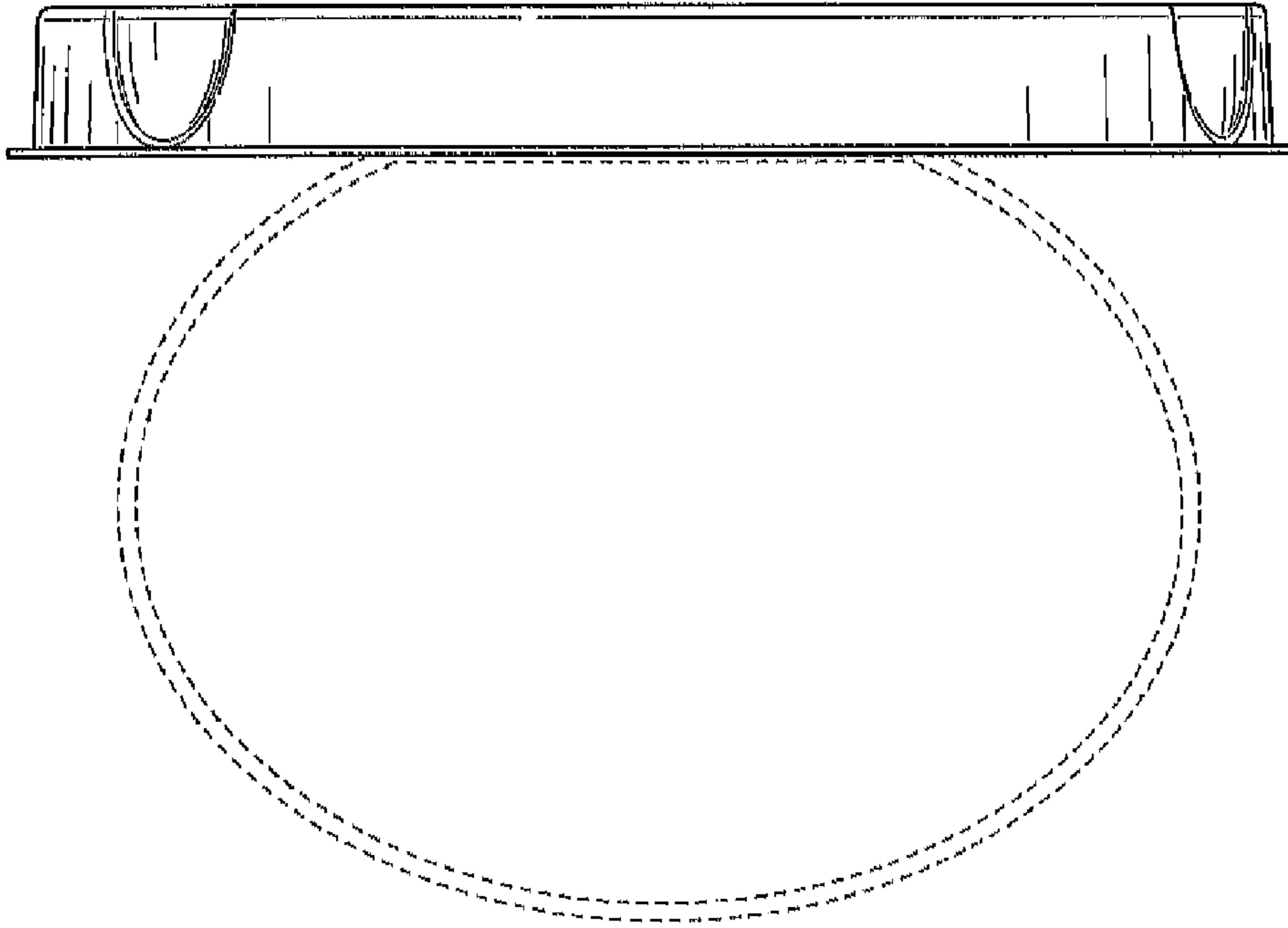


FIG. 4

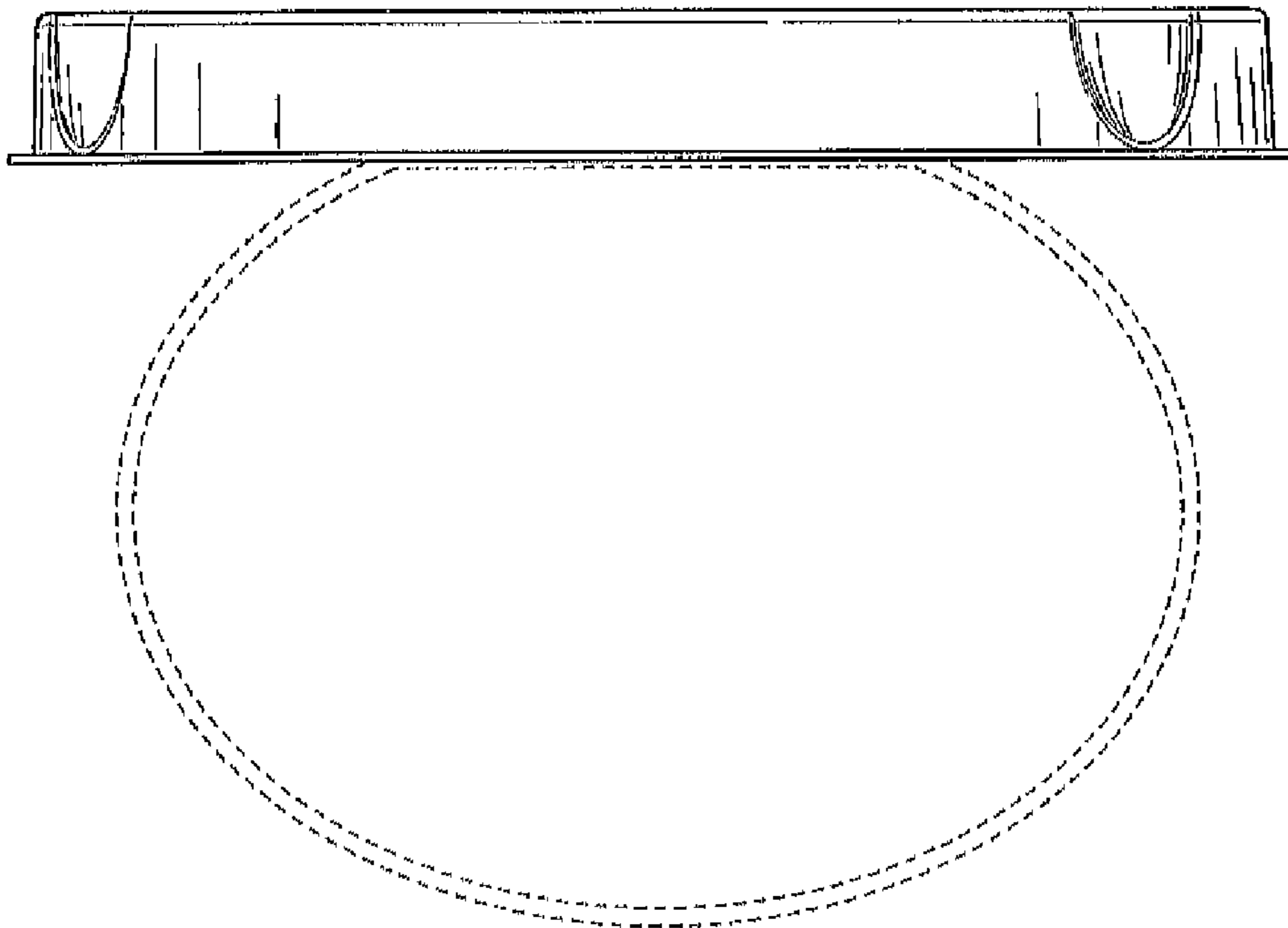


FIG. 5

