



US00D669221S

(12) **United States Design Patent**
Otsuka

(10) **Patent No.:** **US D669,221 S**

(45) **Date of Patent:** **** Oct. 16, 2012**

(54) **SAFETY RAZOR**

(75) **Inventor:** **Jun Otsuka, Seki (JP)**

(73) **Assignee:** **Kai R&D Center Co., Ltd., Seki-Shi, Gifu-Ken (JP)**

(**) **Term:** **14 Years**

(21) **Appl. No.:** **29/416,705**

(22) **Filed:** **Mar. 26, 2012**

(30) **Foreign Application Priority Data**

Sep. 29, 2011 (JP) 2011-022287

(51) **LOC (9) Cl.** **28-03**

(52) **U.S. Cl.** **D28/48**

(58) **Field of Classification Search** D28/44-48;
30/32, 34.05, 34.1-34.2, 42-61, 77-84, 526-538,
30/346.5-346.61

See application file for complete search history.

(56) **References Cited**

U.S. PATENT DOCUMENTS

D365,663	S	*	12/1995	Dwork et al.	D28/47
D589,209	S		3/2009	Jung		
D604,906	S	*	11/2009	Stowers et al.	D28/48
D607,149	S	*	12/2009	Psimadas et al.	D28/47
D614,352	S	*	4/2010	Haba	D28/48
D617,150	S	*	6/2010	Olivari	D7/629

D627,929	S	*	11/2010	Haba	D28/46
D635,716	S	*	4/2011	Rhoad	D28/46
D636,938	S	*	4/2011	White, Jr. et al.	D28/48
D650,943	S	*	12/2011	Micinilio	D28/46
D653,395	S	*	1/2012	Adams et al.	D28/47
D659,287	S	*	5/2012	Psimadas et al.	D28/48

* cited by examiner

Primary Examiner — Jennifer Rivard

(74) *Attorney, Agent, or Firm* — Workman Nydegger

(57) **CLAIM**

The ornamental design for a safety razor, as shown and described.

DESCRIPTION

FIG. 1 is a front, top, and right side perspective view of a safety razor showing my new design; FIG. 2 is a rear, bottom, and left side perspective view thereof; FIG. 3 is a front view thereof; FIG. 4 is a rear view thereof; FIG. 5 is a top plan view thereof; FIG. 6 is a bottom plan view thereof; FIG. 7 is an enlarged right side view thereof; and, FIG. 8 is an enlarged left side view thereof.

The features shown in broken lines in the drawings depict environmental subject matter only and form no part of the claimed design. The dash-dotted lines in the drawings denote the boundary of the claim and form no part of the claimed design.

1 Claim, 7 Drawing Sheets

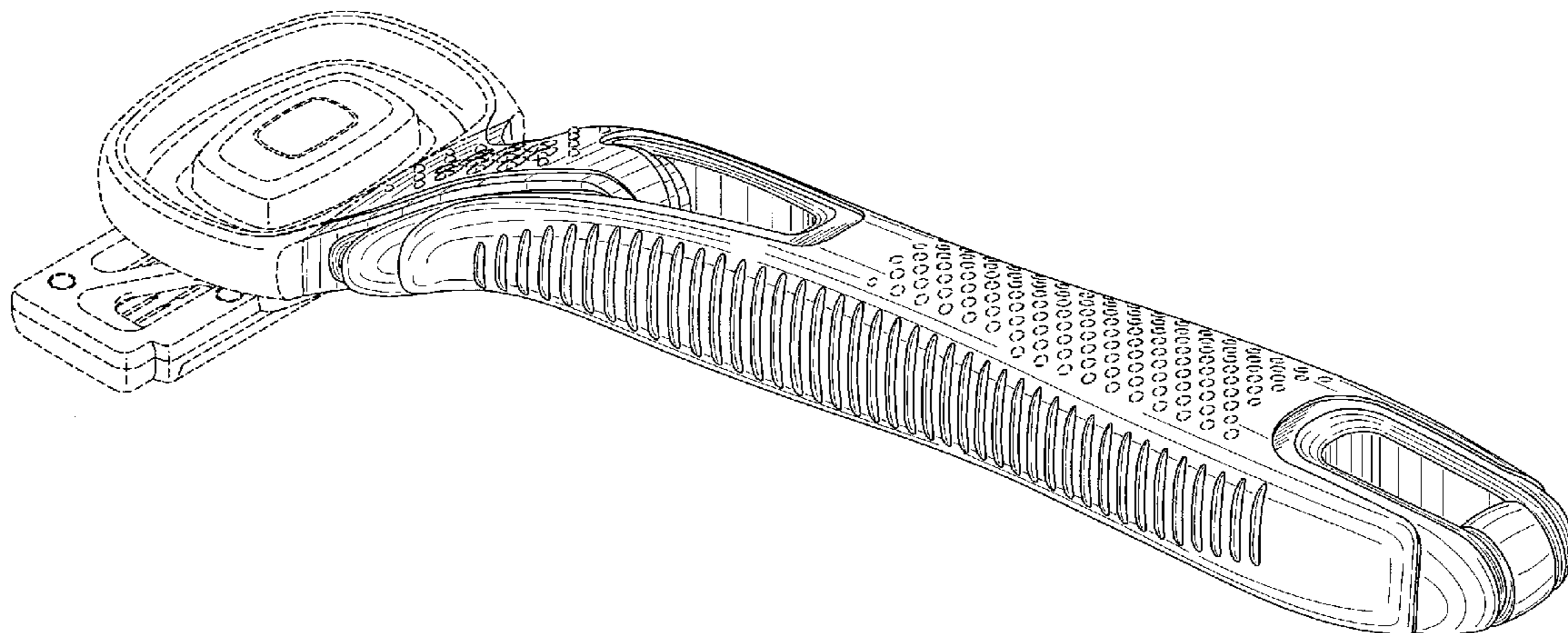


FIG. 1

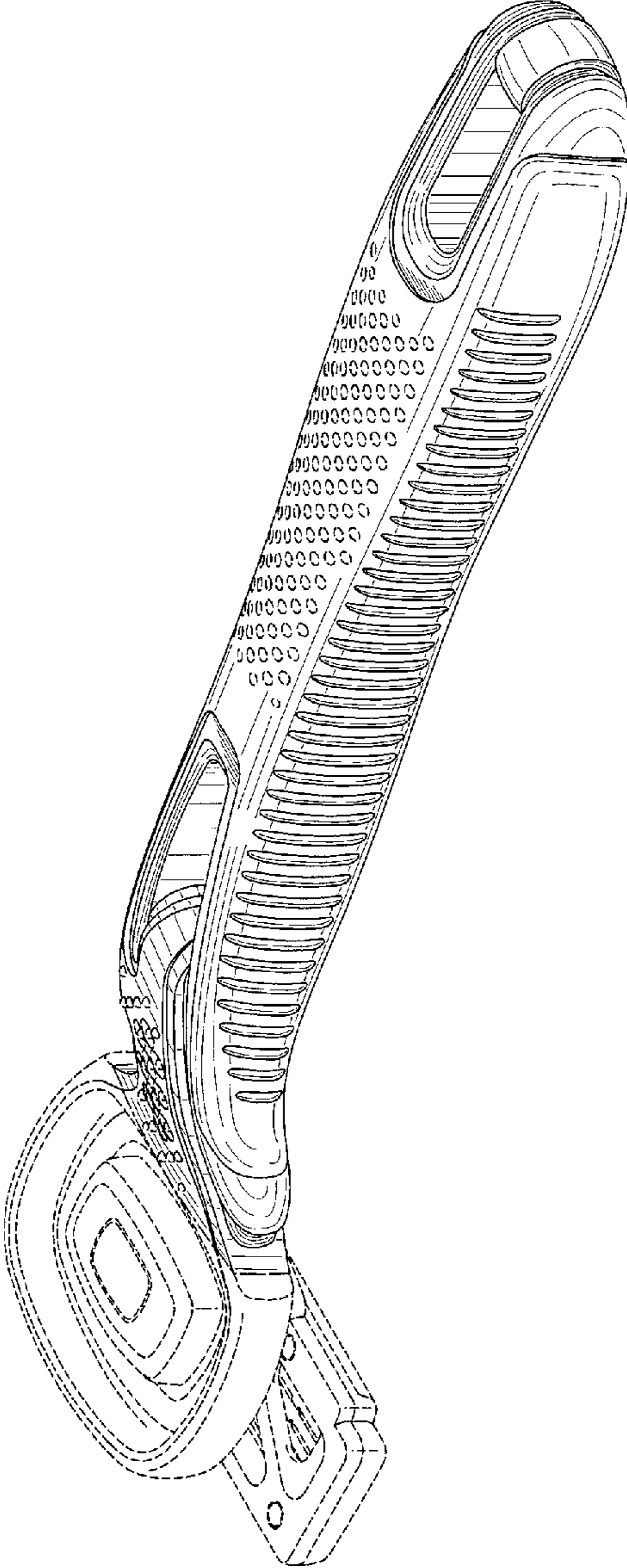


FIG. 2

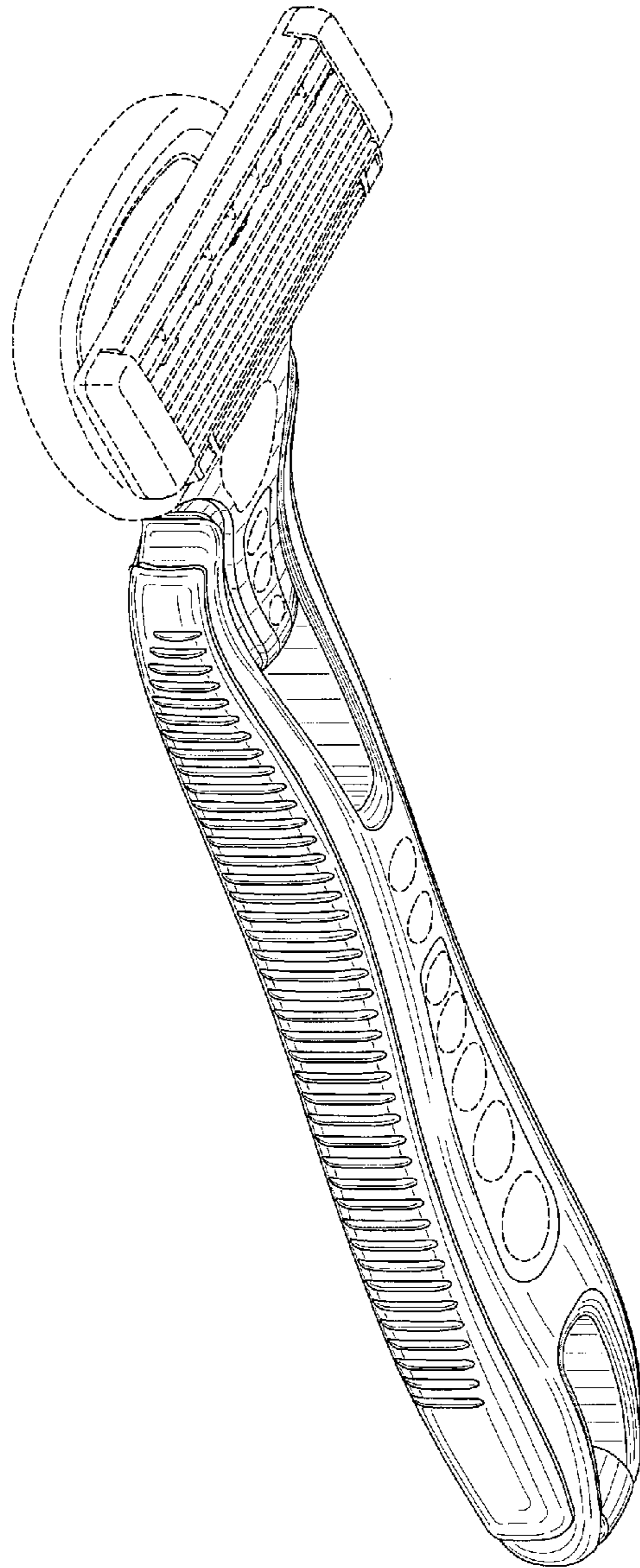


FIG. 3

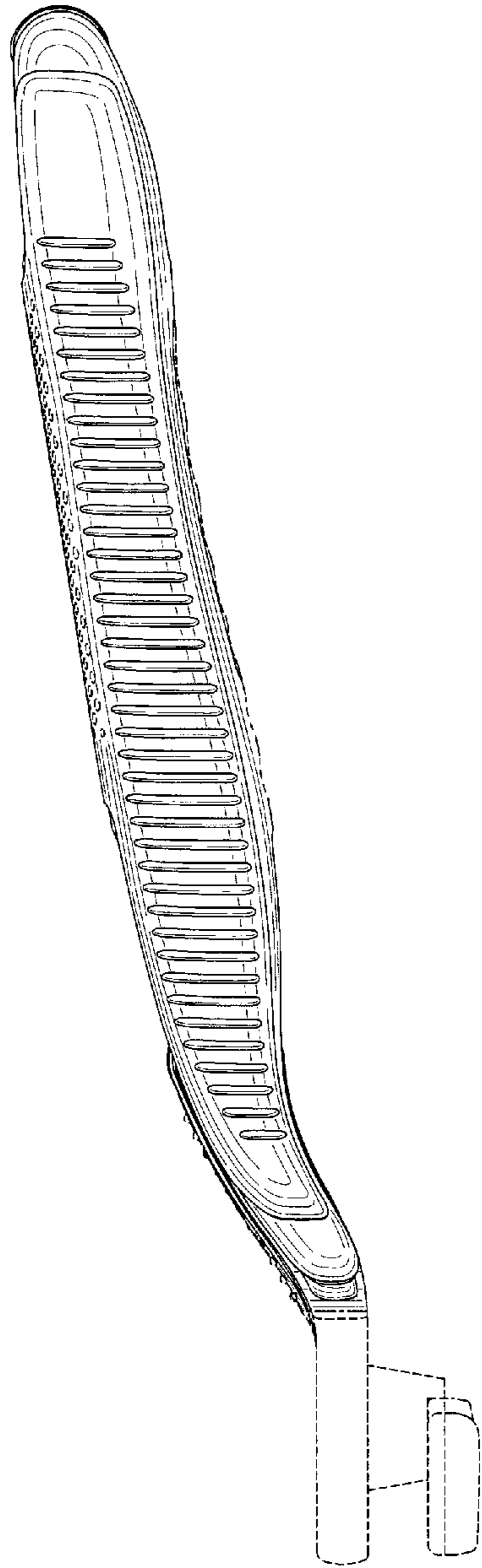


FIG. 4

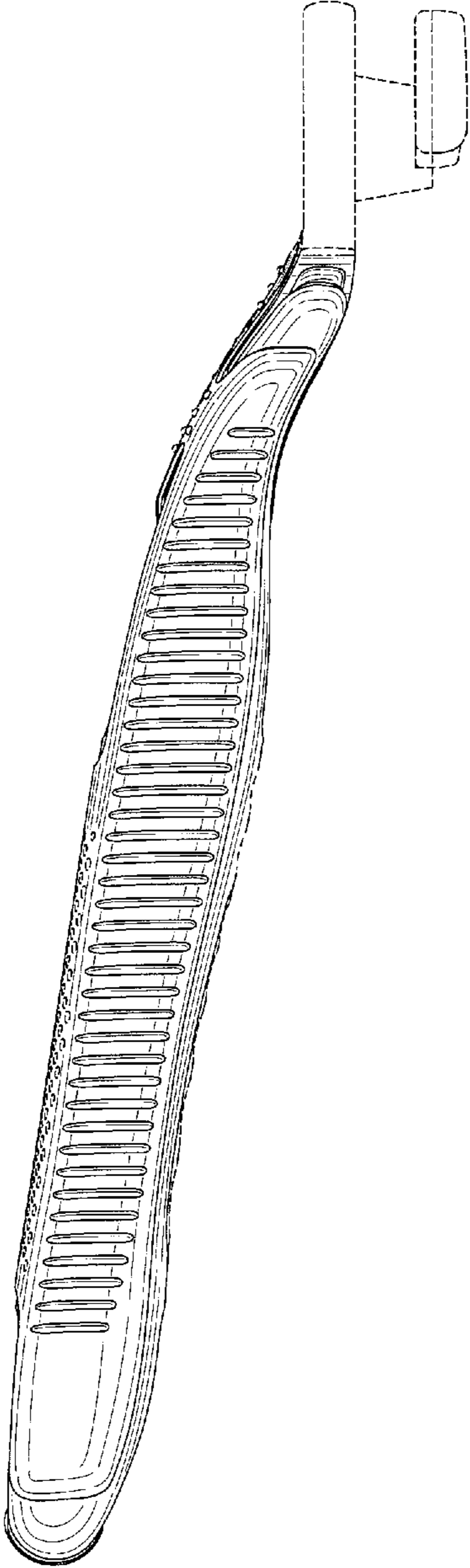


FIG. 5

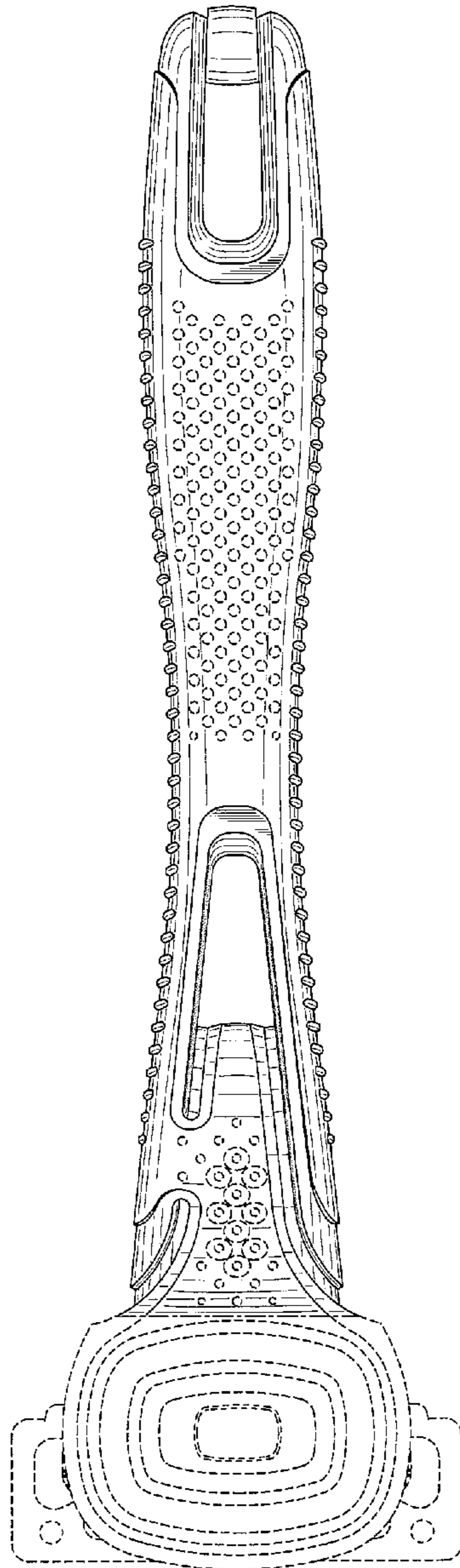


FIG. 6

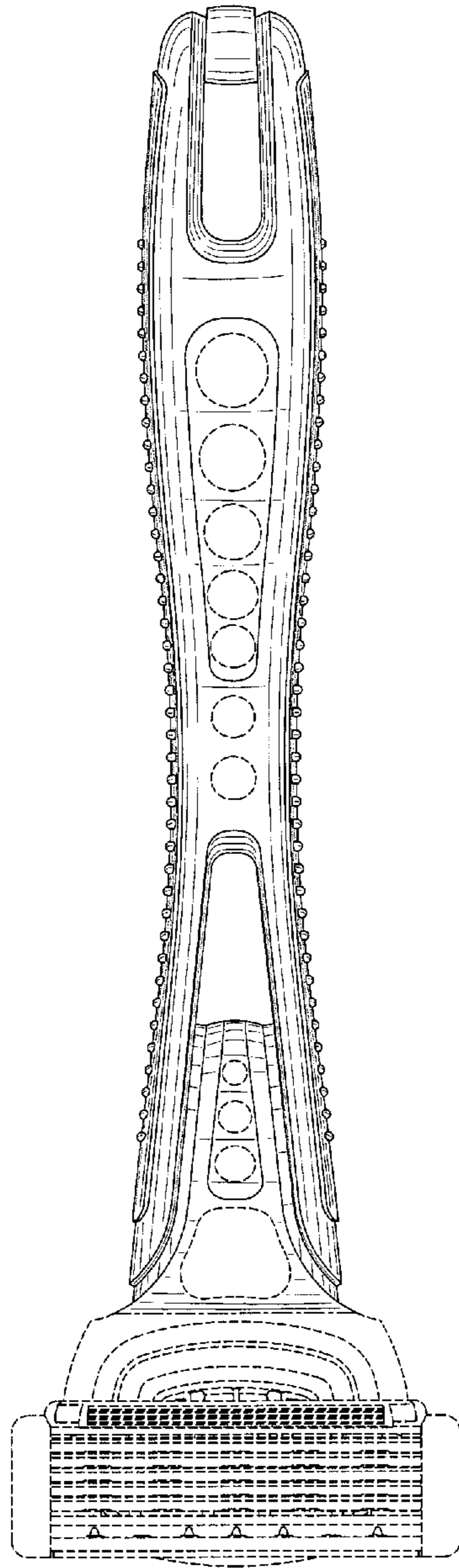


FIG. 8

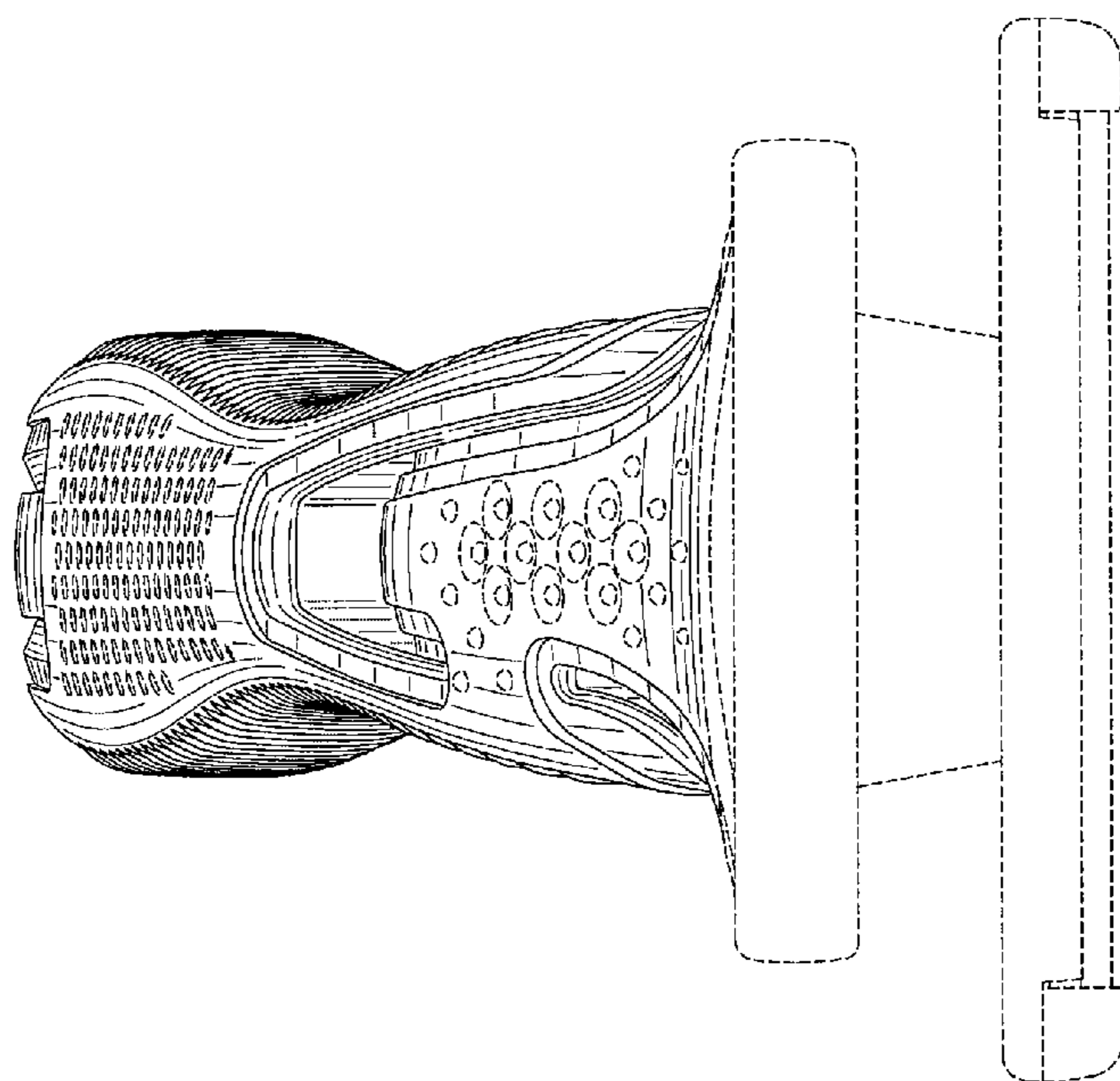


FIG. 7

