



US00D669219S

(12) **United States Design Patent**
Otsuka

(10) **Patent No.:** **US D669,219 S**

(45) **Date of Patent:** **** Oct. 16, 2012**

(54) **SAFETY RAZOR**

(75) Inventor: **Jun Otsuka, Seki (JP)**

(73) Assignee: **Kai R&D Center Co., Ltd, Seki-Shi, Gifu-Ken (JP)**

(**) Term: **14 Years**

(21) Appl. No.: **29/416,704**

(22) Filed: **Mar. 26, 2012**

(30) **Foreign Application Priority Data**

Sep. 29, 2011 (JP) 2011-022290

(51) **LOC (9) Cl.** **28-03**

(52) **U.S. Cl.** **D28/47**

(58) **Field of Classification Search** D28/44-48;
30/32, 34.05, 34.1-34.2, 42-61, 77-84, 526-538,
30/346.5-346.61

See application file for complete search history.

(56) **References Cited**

U.S. PATENT DOCUMENTS

5,365,665 A * 11/1994 Coffin 30/50
D526,089 S 8/2006 Fischer
D588,744 S 3/2009 Fischer
D588,745 S 3/2009 Fischer

D617,949 S * 6/2010 Lukan et al. D28/47
D629,969 S * 12/2010 Wonderley D28/47
D635,717 S * 4/2011 Furtek D28/47

* cited by examiner

Primary Examiner — Jennifer Rivard

(74) *Attorney, Agent, or Firm* — Workman Nydegger

(57) **CLAIM**

The ornamental design for a safety razor, as shown and described.

DESCRIPTION

FIG. 1 is a front, top, and right side perspective view of a safety razor showing my new design;

FIG. 2 is a top plan view thereof;

FIG. 3 is a bottom plan view thereof;

FIG. 4 is an enlarged left side view thereof;

FIG. 5 is an enlarged cross-sectional view taken along line 5-5 in FIG. 4;

FIG. 6 is an enlarged cross-sectional view of the claimed part of the article taken along line 6-6 in FIG. 5;

FIG. 7 is an enlarged front, top, and right side perspective view of the portion indicated by lines 7-7 in FIG. 4; and,

FIG. 8 is an enlarged rear, top, and left side perspective view of the portion indicated by lines 7-7 in FIG. 4.

The features shown in broken lines in the drawings depict environmental subject matter only and form no part of the claimed design. The dash-dotted lines in the drawings denote the boundary of the claim and form no part of the claimed design.

1 Claim, 8 Drawing Sheets

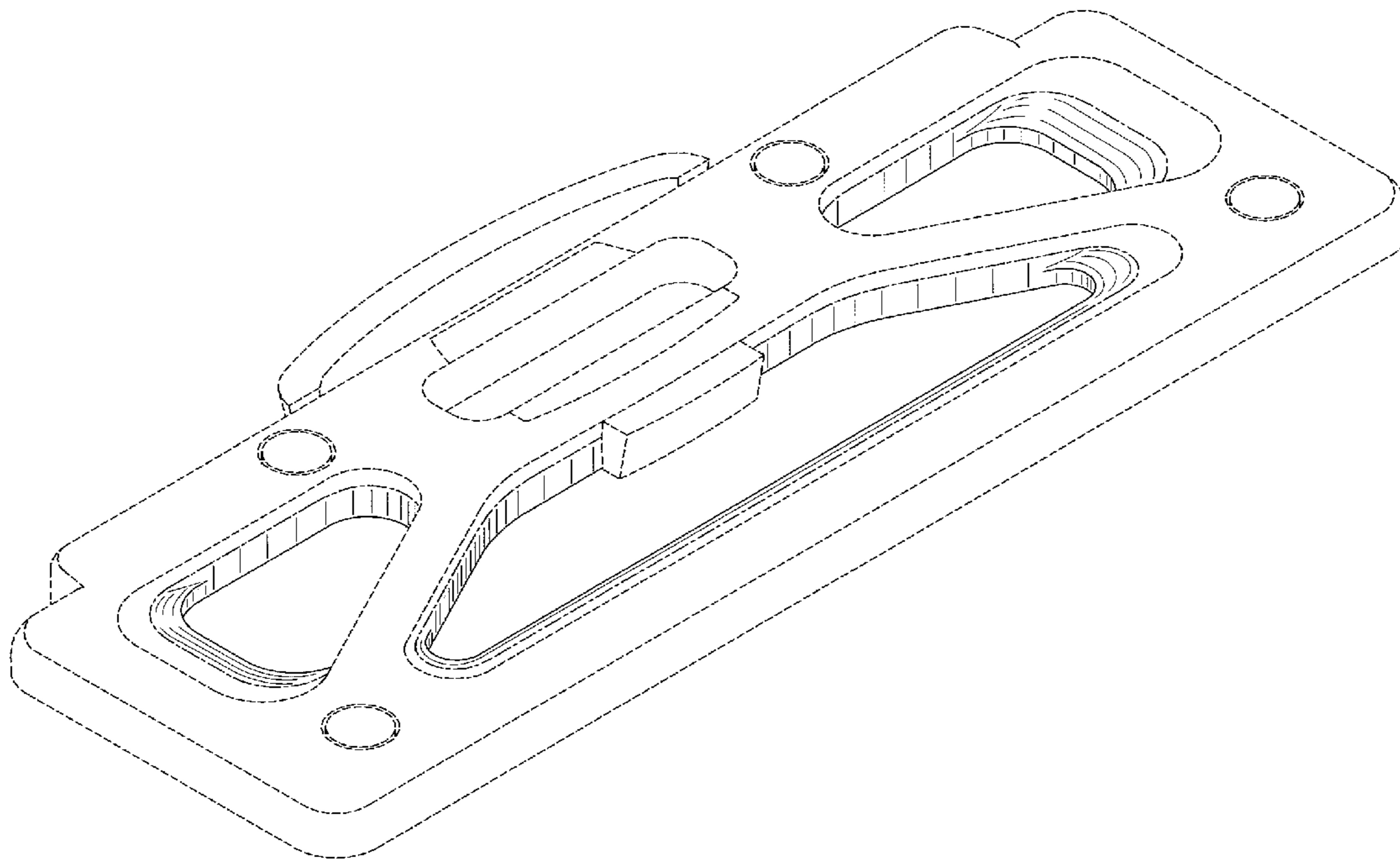


FIG. 1

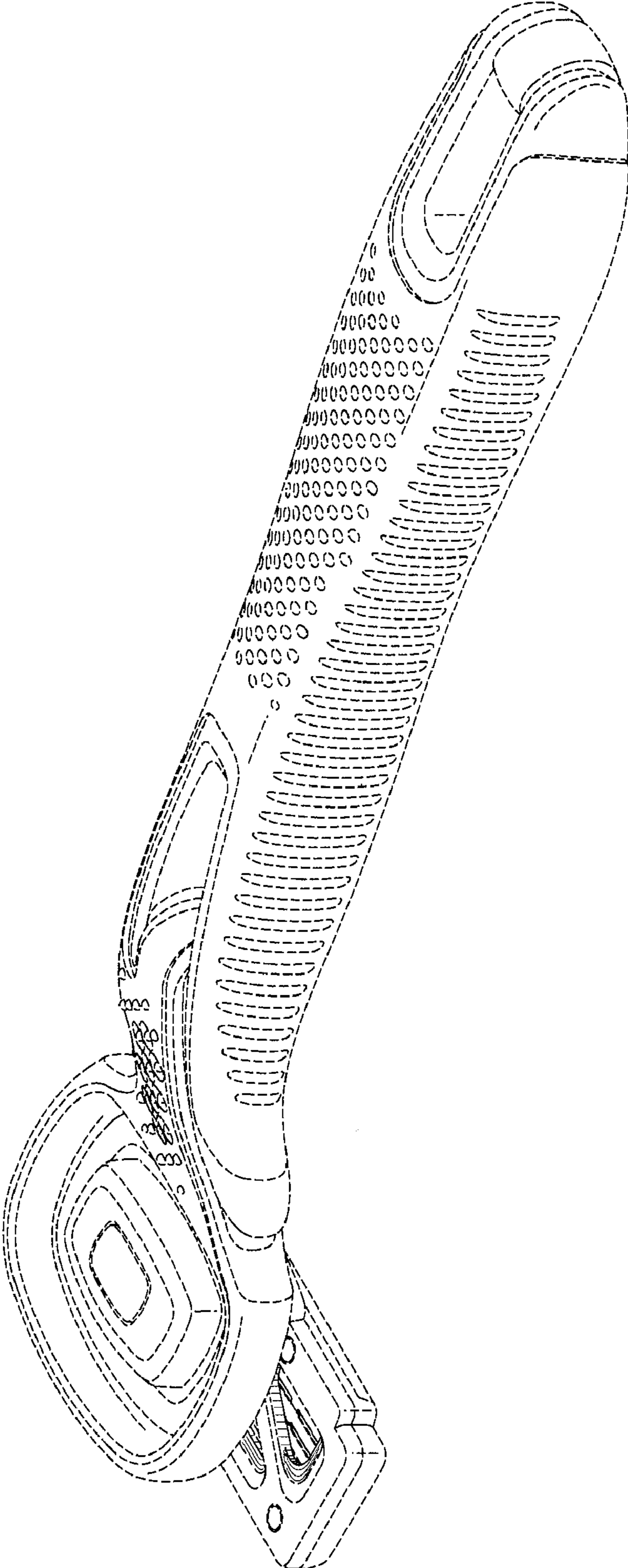


FIG. 2

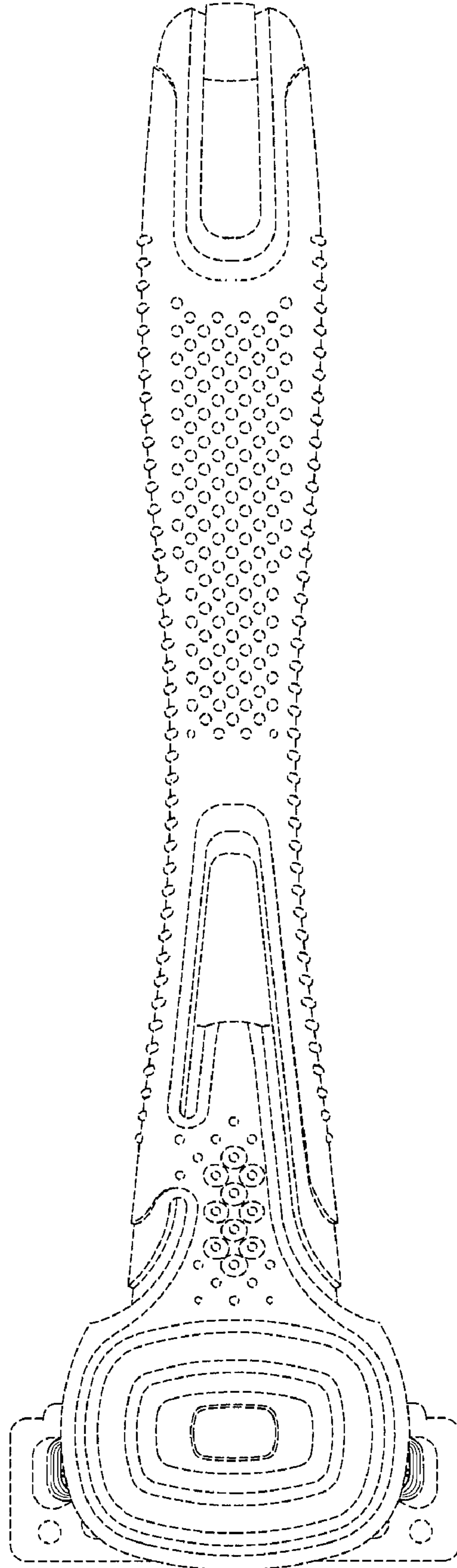


FIG. 3

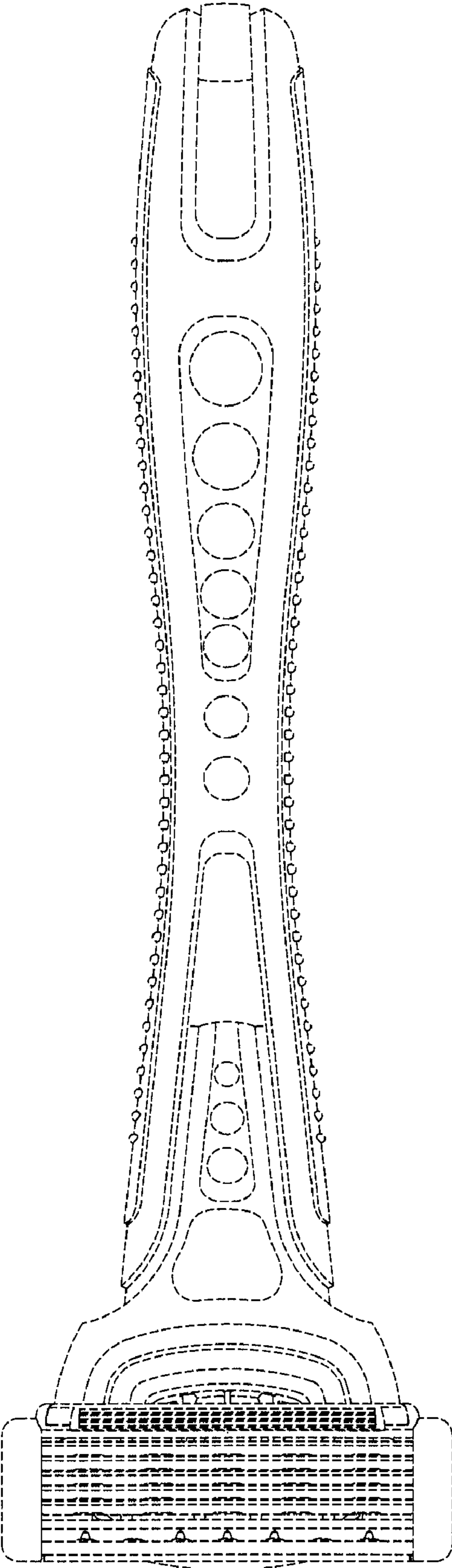
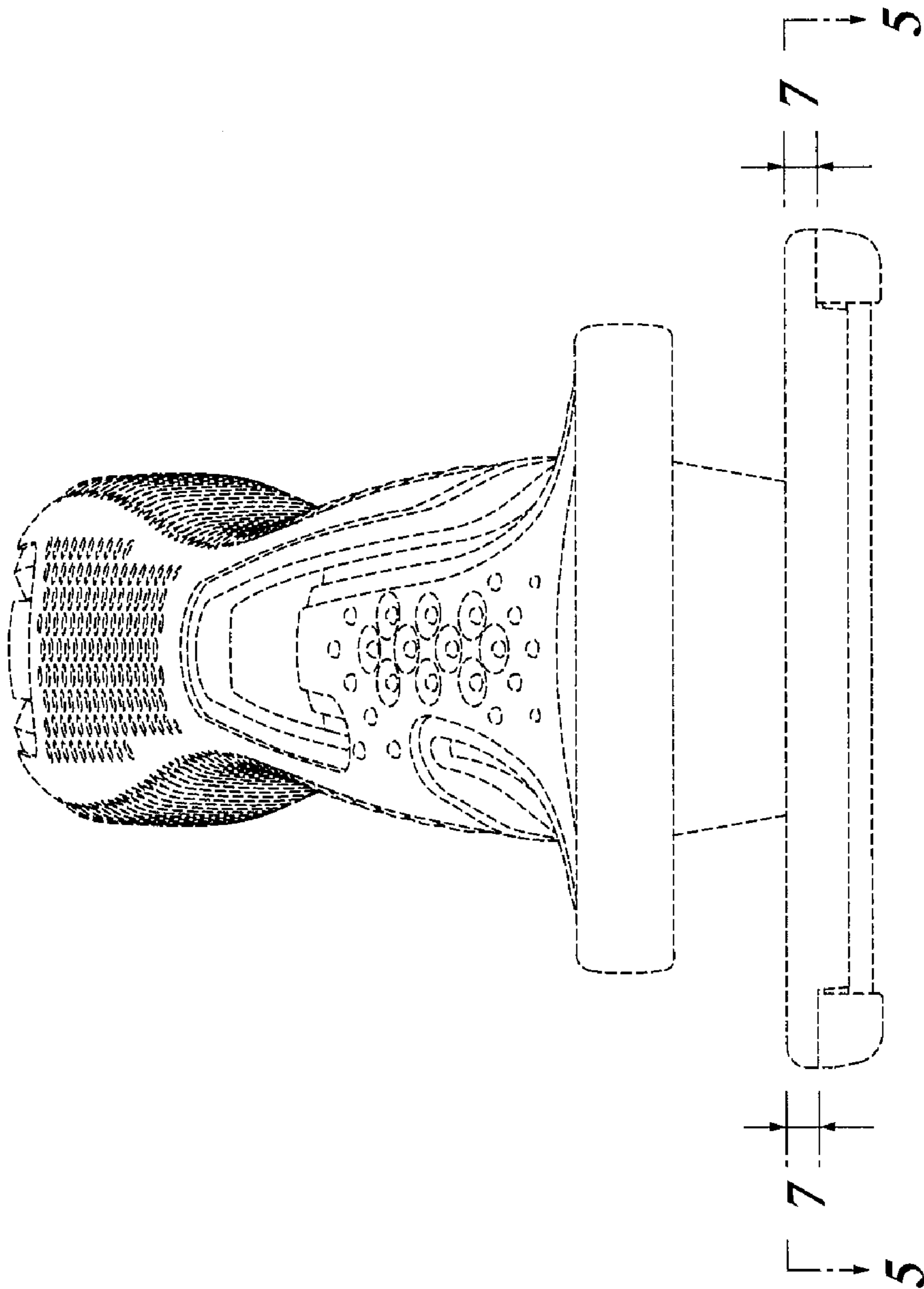


FIG. 4



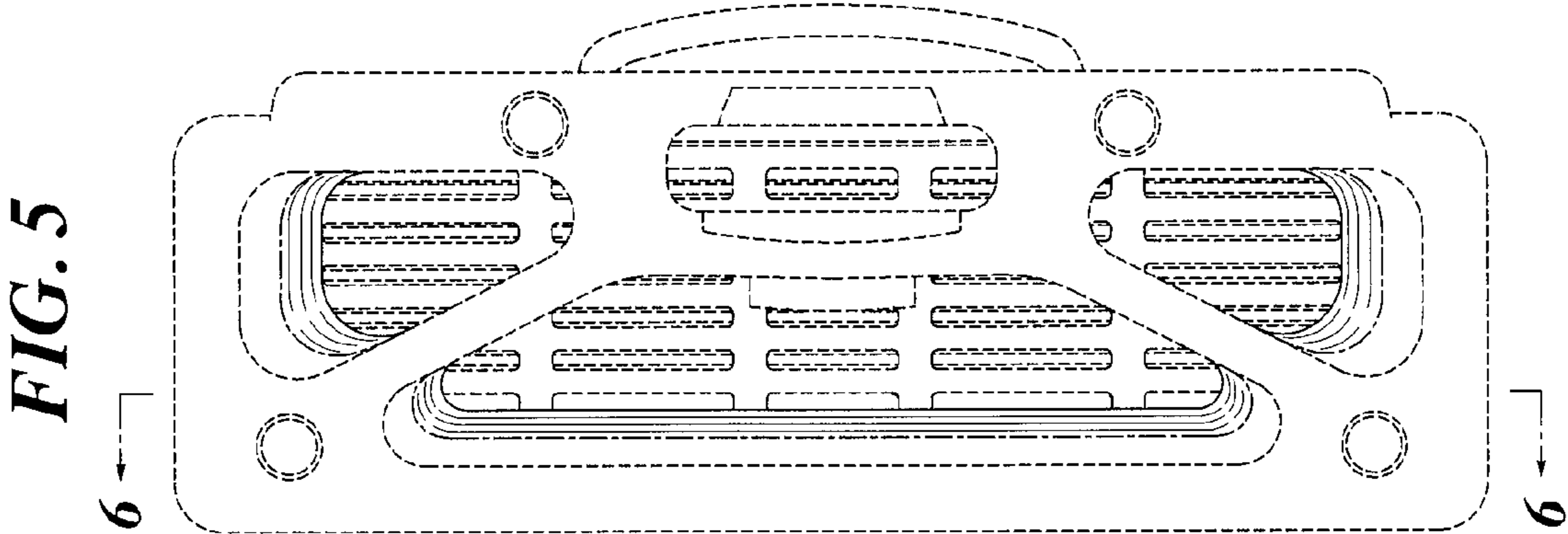


FIG. 6



FIG. 7

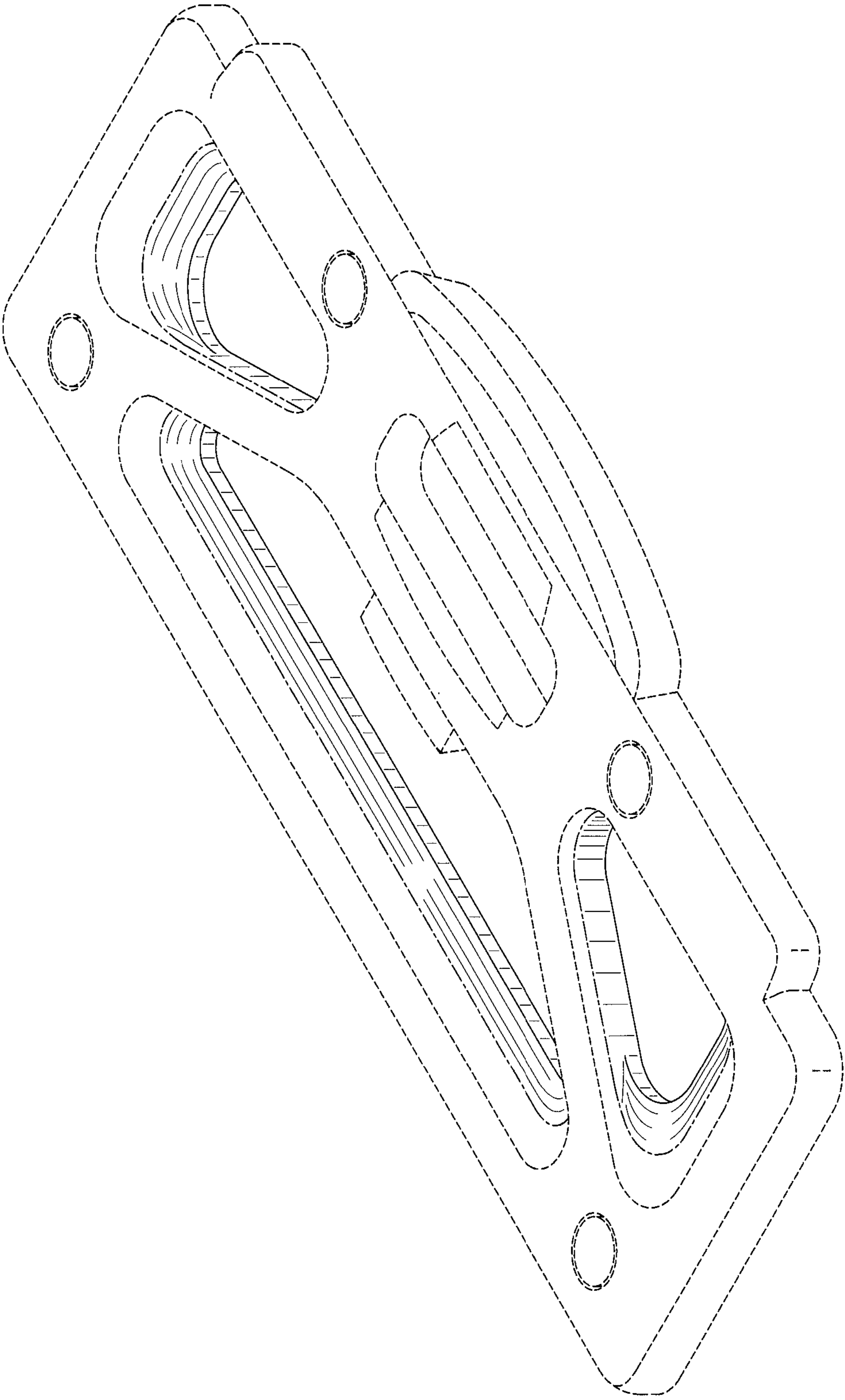


FIG. 8

