

US00D669214S

(12) **United States Design Patent**  
**Ho**

(10) **Patent No.:** **US D669,214 S**

(45) **Date of Patent:** **\*\* \*Oct. 16, 2012**

(54) **PERMANENT WAVE TOOL**

(76) Inventor: **Wei-Teh Ho**, Taipei (TW)

(\*) Notice: This patent is subject to a terminal disclaimer.

(\*\*) Term: **14 Years**

(21) Appl. No.: **29/372,233**

(22) Filed: **Nov. 1, 2010**

(51) **LOC (9) Cl.** ..... **28-03**

(52) **U.S. Cl.** ..... **D28/35**

(58) **Field of Classification Search** ..... D4/100,  
D4/114, 133, 134, 120; 30/28, 29; D24/143,  
D24/153; 132/74.5, 223, 224, 226, 228,  
132/232, 233, 132, 248, 222, 251, 249, 238,  
132/262, 123, 118, 121, 122, 227, 229, 237,  
132/266, 285, 200; D30/158; D28/35, 9,  
D28/10, 11, 12, 13, 37, 38, 73, 75, 55, 60,  
D28/61, 44, 57, 58, 59; 219/222, 242, 218,  
219/521, 226, 225, 229; D8/52; D32/35;  
D7/686; D6/567, 608, 583; D3/205; 206/349  
See application file for complete search history.

(56) **References Cited**

**U.S. PATENT DOCUMENTS**

6,554,000	B2 *	4/2003	Lin	132/232
D480,836	S *	10/2003	Kaizuka	D28/35
D482,491	S *	11/2003	Maesawa et al.	D28/35
D485,011	S *	1/2004	Nam	D28/35
D504,541	S *	4/2005	Cho	D28/35
D535,437	S *	1/2007	Ceva	D28/35
D537,983	S *	3/2007	Shin	D28/35
D538,977	S *	3/2007	Shin	D28/35
D543,314	S *	5/2007	Morgandi	D28/35
D544,646	S *	6/2007	Overend	D28/35

7,243,661	B2 *	7/2007	Lun et al.	132/224
D567,440	S *	4/2008	Migliori et al.	D28/35
D569,549	S *	5/2008	Leung	D28/35
D575,453	S *	8/2008	Overend	D28/35
D586,040	S *	2/2009	Kim	D28/35
D596,791	S *	7/2009	Russo	D28/35
D596,794	S *	7/2009	Keong	D28/35
D596,800	S *	7/2009	Kwok	D28/35
D599,058	S *	8/2009	Kim	D28/35
D606,254	S *	12/2009	Leung	D28/35
D609,401	S *	2/2010	Yang	D28/35
2005/0081876	A1 *	4/2005	Choi	132/224
2006/0037625	A1 *	2/2006	Kayser et al.	132/224
2007/0209673	A1 *	9/2007	Choi	132/224
2007/0218746	A1 *	9/2007	Hur	439/369

\* cited by examiner

*Primary Examiner* — Kevin Rudzinski

(74) *Attorney, Agent, or Firm* — Jackson IPG PLLC;  
Demian K. Jackson

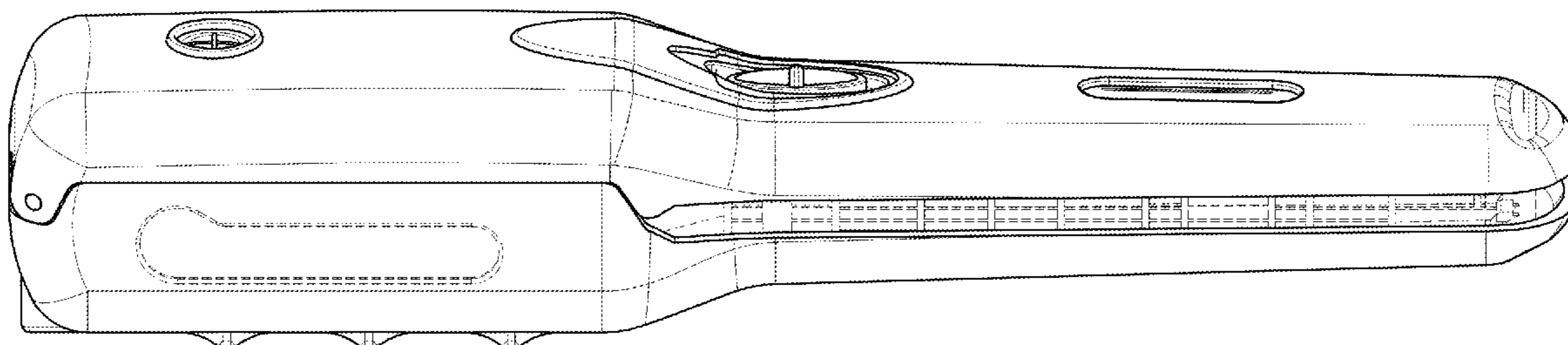
(57) **CLAIM**

I claim the ornamental design for a permanent wave tool, as shown and described.

**DESCRIPTION**

FIG. 1 is a perspective view of a permanent wave tool showing my new design;  
FIG. 2 is a front view thereof;  
FIG. 3 is a rear view thereof;  
FIG. 4 is a left side view thereof;  
FIG. 5 is a right side view thereof;  
FIG. 6 is a top plan view thereof; and,  
FIG. 7 is a bottom plan view thereof.  
The broken lines shown in FIGS. 1-7 illustrate unclaimed portions of the permanent wave tool and form no part of the claimed design.

**1 Claim, 6 Drawing Sheets**



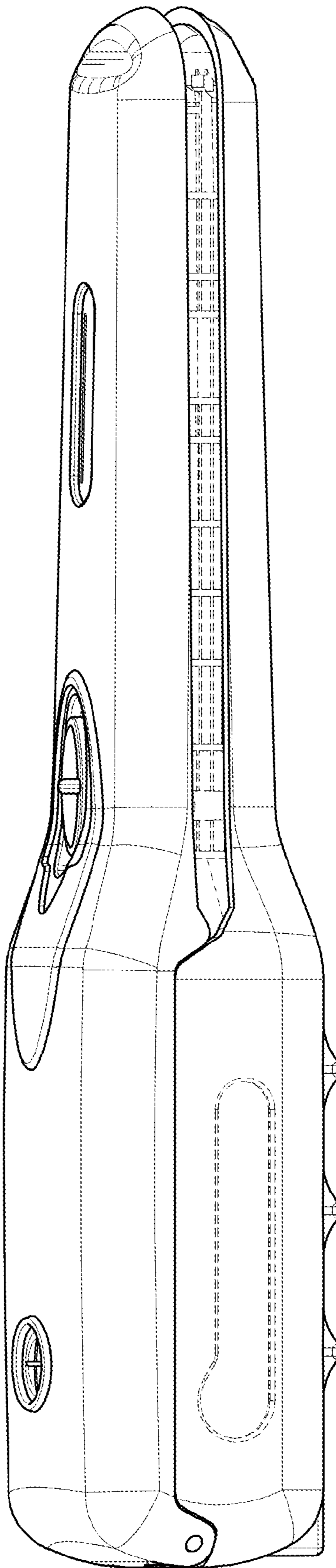


FIG. 1

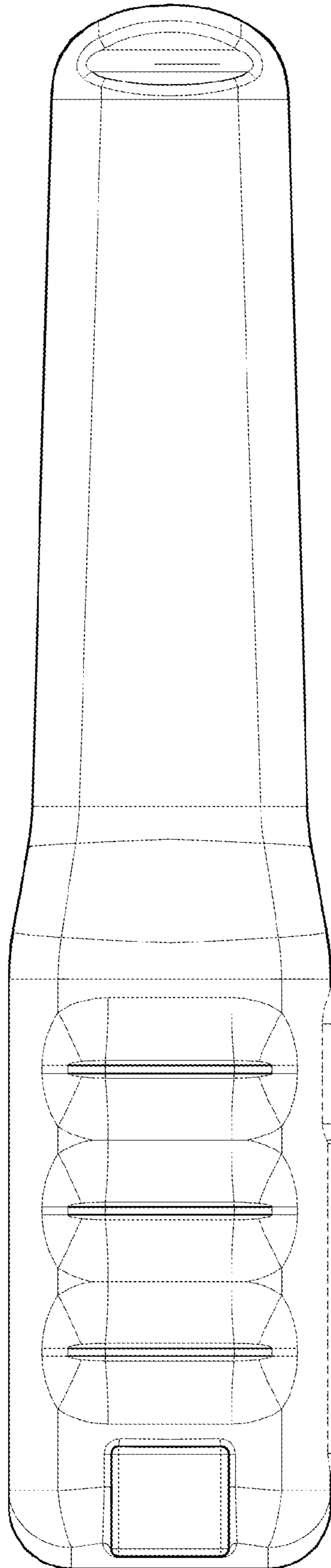


FIG. 2

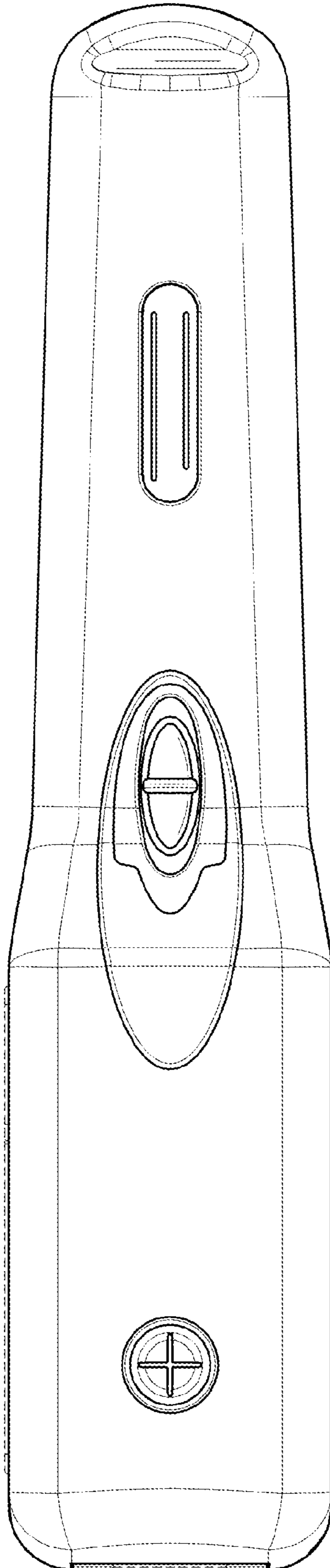


FIG. 3

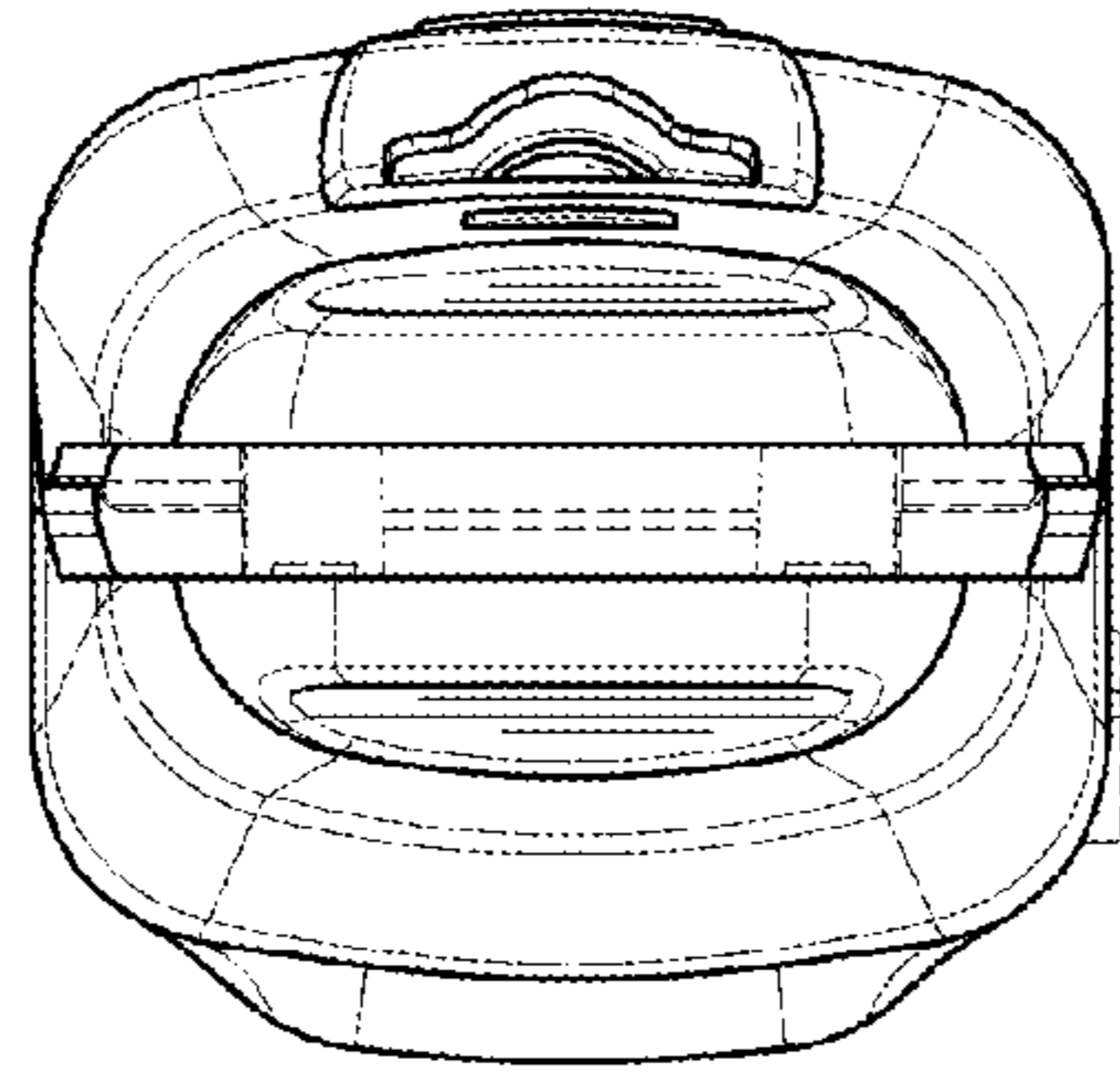


FIG. 5

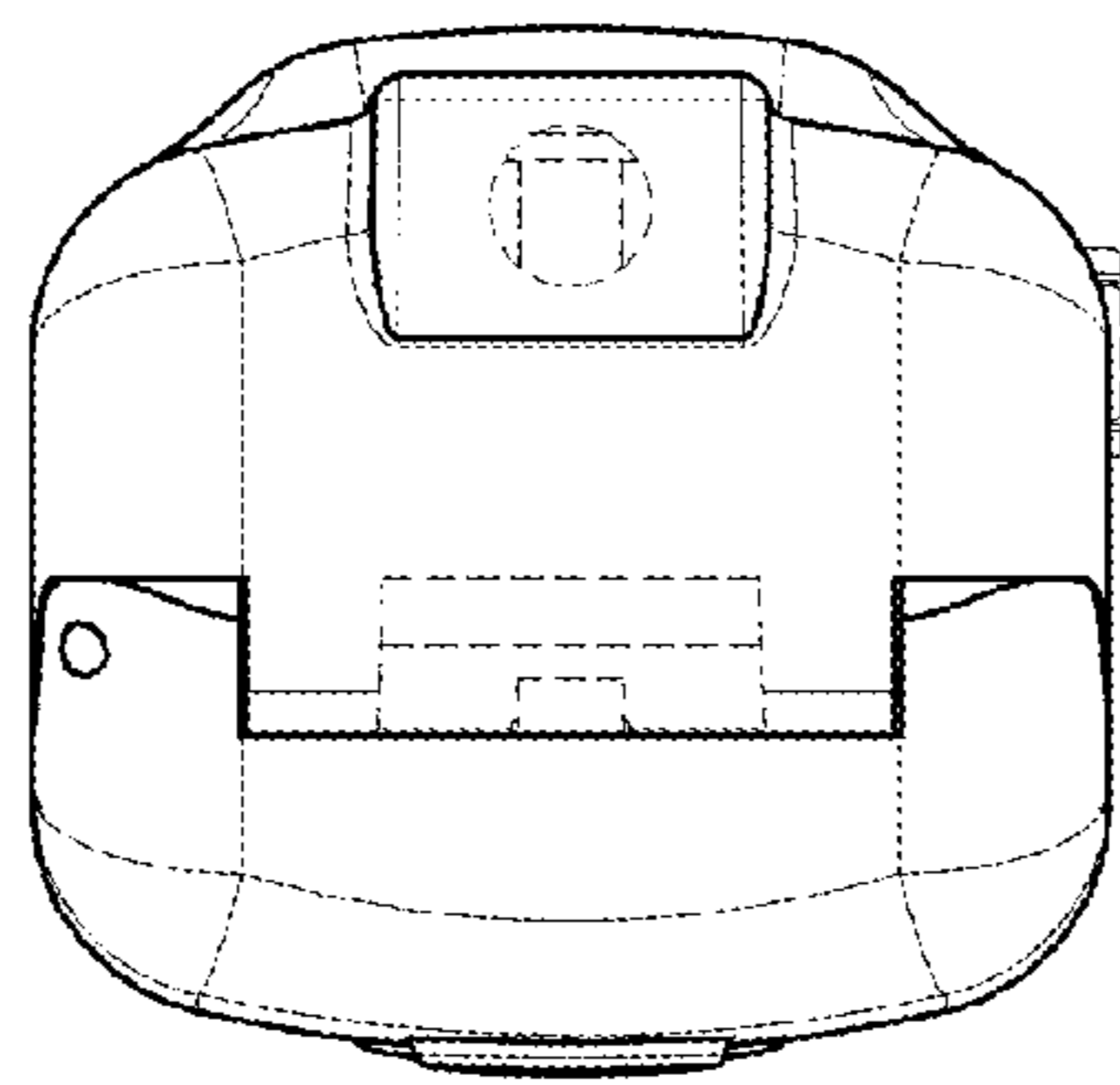


FIG. 4

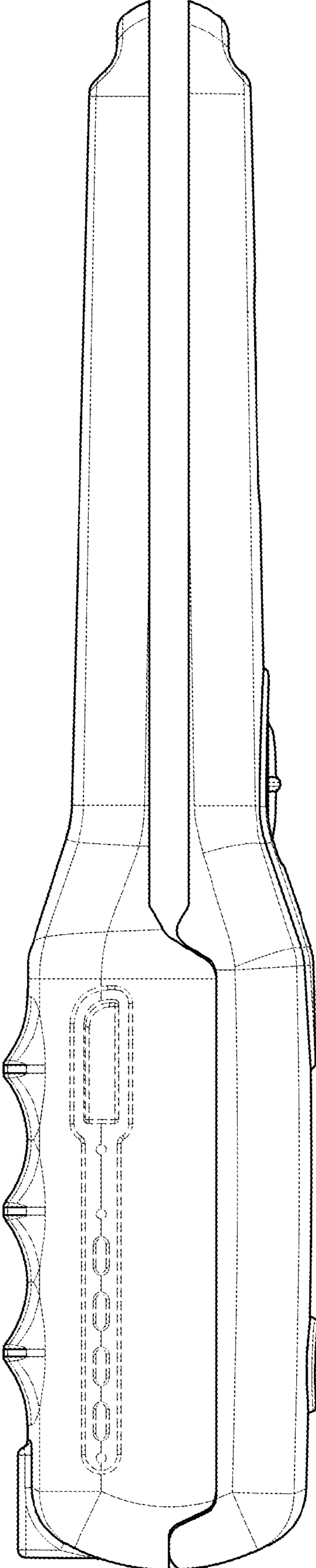


FIG. 6

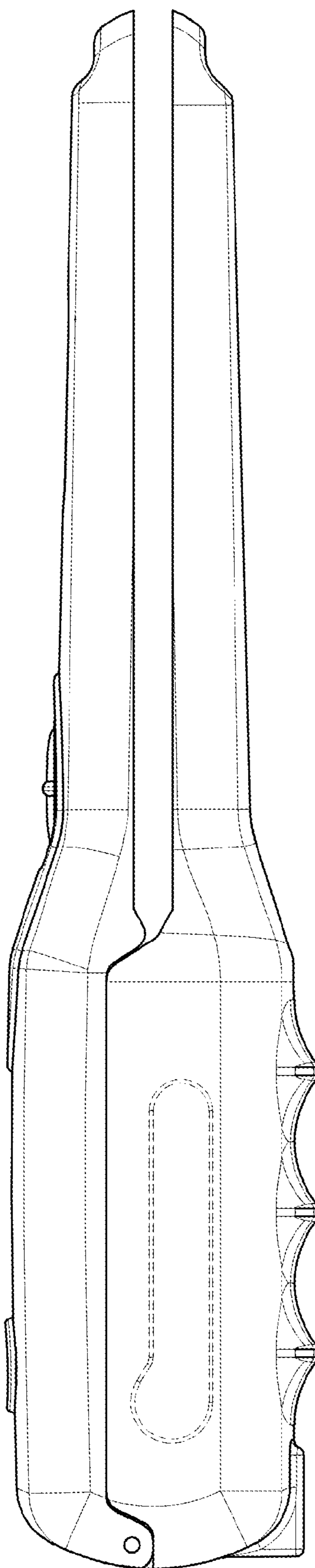


FIG. 7