



US00D669211S

(12) **United States Design Patent**
Larson

(10) **Patent No.:** **US D669,211 S**

(45) **Date of Patent:** **** Oct. 16, 2012**

(54) **LINEAR LIGHTING APPARATUS BASE**

(76) Inventor: **Derek Larson**, San Ramon, CA (US)

(**) Term: **14 Years**

(21) Appl. No.: **29/378,245**

(22) Filed: **Nov. 1, 2010**

Related U.S. Application Data

(63) Continuation of application No. 29/367,637, filed on Aug. 10, 2010, now abandoned.

(51) **LOC (9) Cl.** **26-99**

(52) **U.S. Cl.** **D26/138**

(58) **Field of Classification Search** D26/113,
D26/71, 74, 75, 76, 118, 119, 120, 121, 122,
D26/128, 64, 65, 72, 24, 138, 61, 62, 63,
D26/139, 141, 142, 144, 145, 154, 155, 28,
D26/25, 26, 2, 143, 68, 153, 152, 140; 362/264,
362/249.01-249.11, 294, 652, 373, 640,
362/223, 240, 260, 225, 427; D13/179, 180,
D13/162, 110; D25/124, 119, 125, 126,
D25/118; D23/207, 221, 266, 263, 241,
D23/255

See application file for complete search history.

(56) **References Cited**

U.S. PATENT DOCUMENTS

D47,729	S	*	8/1915	Heulings, Jr.	D25/119
D251,444	S	*	3/1979	Bancroft et al.	D25/125
4,613,930	A	*	9/1986	Ambasz	362/223
D373,963	S	*	9/1996	Nagai et al.	D10/94
D384,178	S	*	9/1997	Costa	D26/76
D471,994	S	*	3/2003	Chaney et al.	D25/124
D489,830	S	*	5/2004	Barnett	D25/119
6,929,382	B2	*	8/2005	Kuisma	362/219
7,090,375	B2	*	8/2006	Kuisma	362/225

7,192,161	B1	*	3/2007	Cleaver et al.	362/260
D577,857	S	*	9/2008	Tress et al.	D26/141
D578,705	S	*	10/2008	Aberg et al.	D26/138
D616,946	S	*	6/2010	Garfinkle et al.	D20/43
D621,090	S	*	8/2010	Klus	D26/138
D626,839	S	*	11/2010	Gross et al.	D9/456
7,926,985	B2	*	4/2011	Teng et al.	362/373
7,936,561	B1	*	5/2011	Lin	361/679.54
D649,689	S	*	11/2011	Trzesniowski	D26/138
D649,690	S	*	11/2011	Trzesniowski	D26/138
D649,693	S	*	11/2011	Trzesniowski	D26/138
D652,569	S	*	1/2012	Trzesniowski	D26/138
D652,986	S	*	1/2012	Trzesniowski	D26/138
D662,256	S	*	6/2012	Klus	D26/138
D662,653	S	*	6/2012	Hochman	D26/138
D663,068	S	*	7/2012	Hochman	D26/138
2004/0076004	A1	*	4/2004	Smith, Jr.	362/237
2007/0285930	A1	*	12/2007	Chen	362/373
2009/0219713	A1	*	9/2009	Siemiet et al.	362/218
2010/0103657	A1	*	4/2010	Teng et al.	362/223

* cited by examiner

Primary Examiner — Kevin Rudzinski

(74) *Attorney, Agent, or Firm* — GSS Law Group

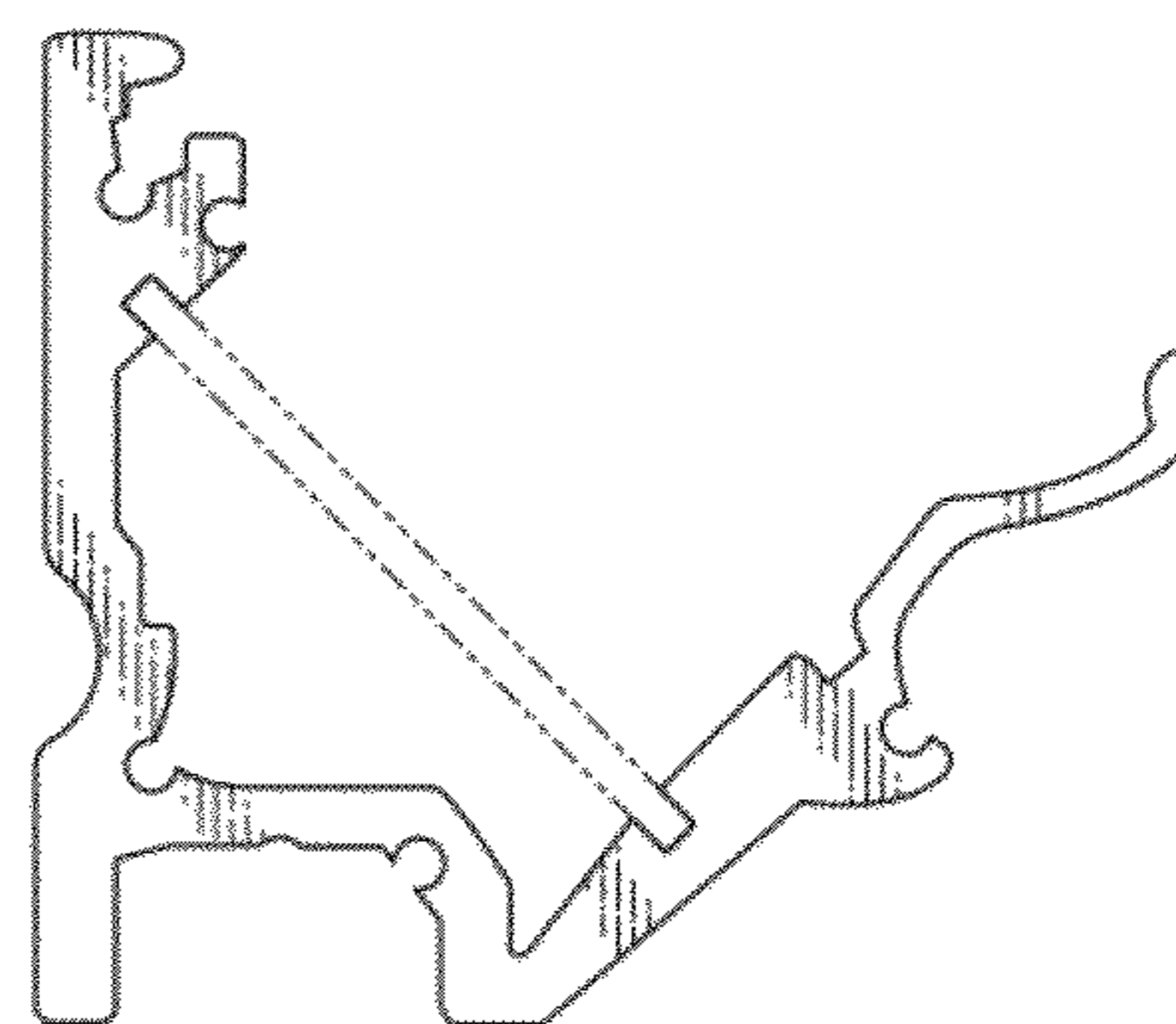
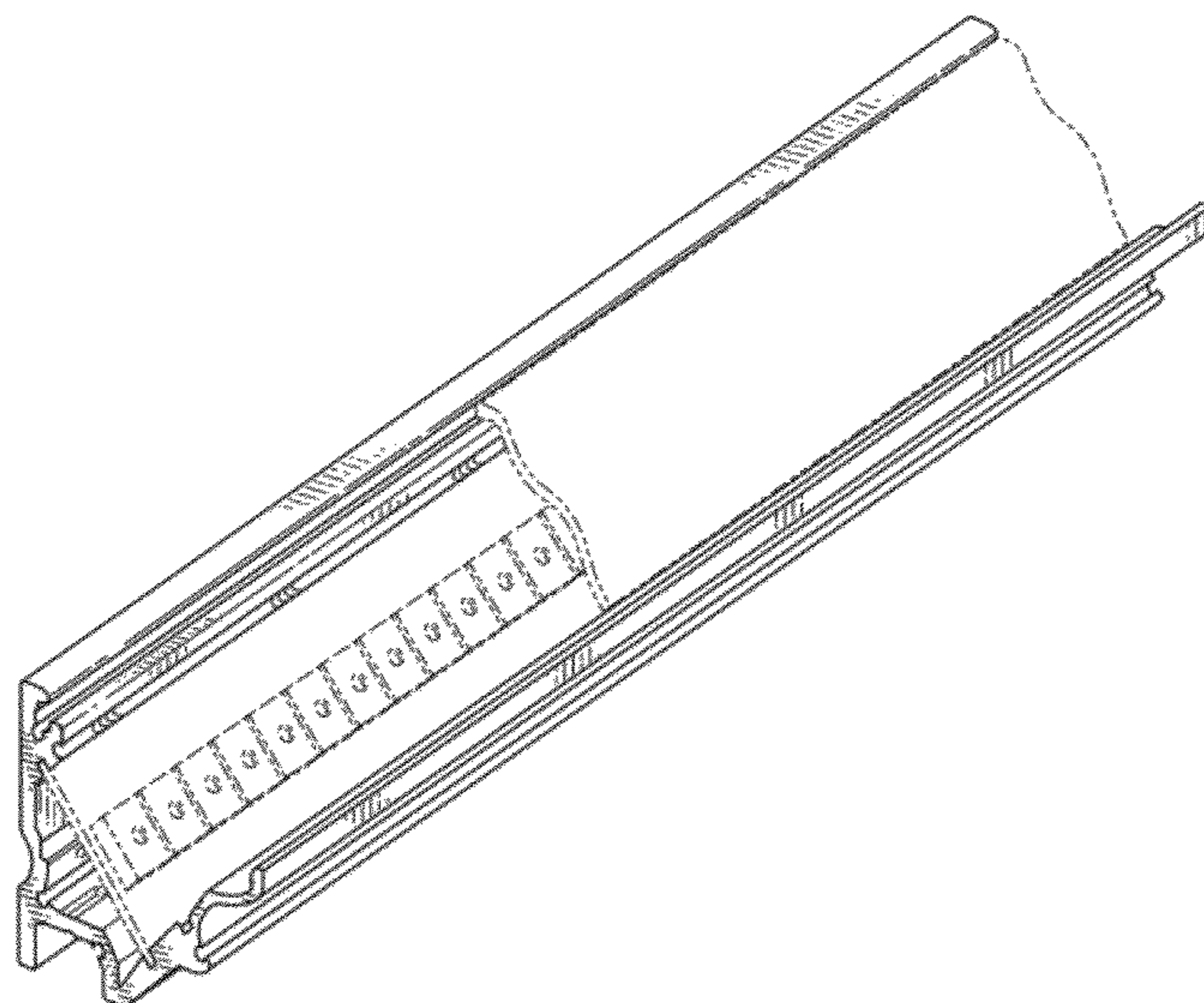
(57) **CLAIM**

The ornamental design for a linear lighting apparatus base.

DESCRIPTION

FIG. 1 is a perspective view of a linear lighting apparatus base, shown broken away for ease of illustration; FIG. 2 is a left side elevation view thereof, with the right side elevation view being a mirror image thereof; FIG. 3 is a top plan view thereof; FIG. 4 is a side elevation view thereof; FIG. 5 is a side elevation view thereof; and, FIG. 6 is a bottom plan view thereof. The broken lines shown illustrate portions of the linear lighting apparatus that form no part of the claimed design.

1 Claim, 3 Drawing Sheets



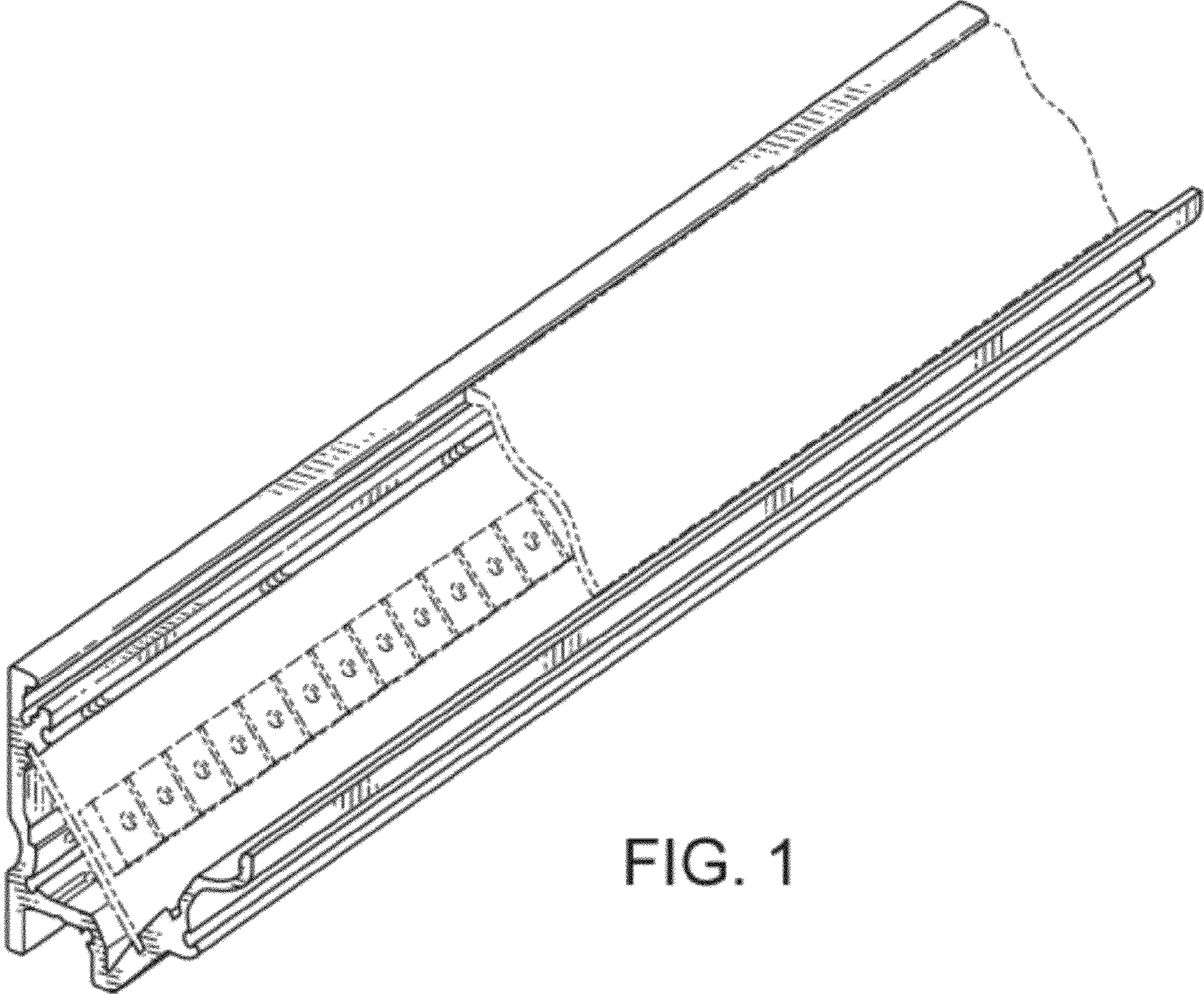


FIG. 1

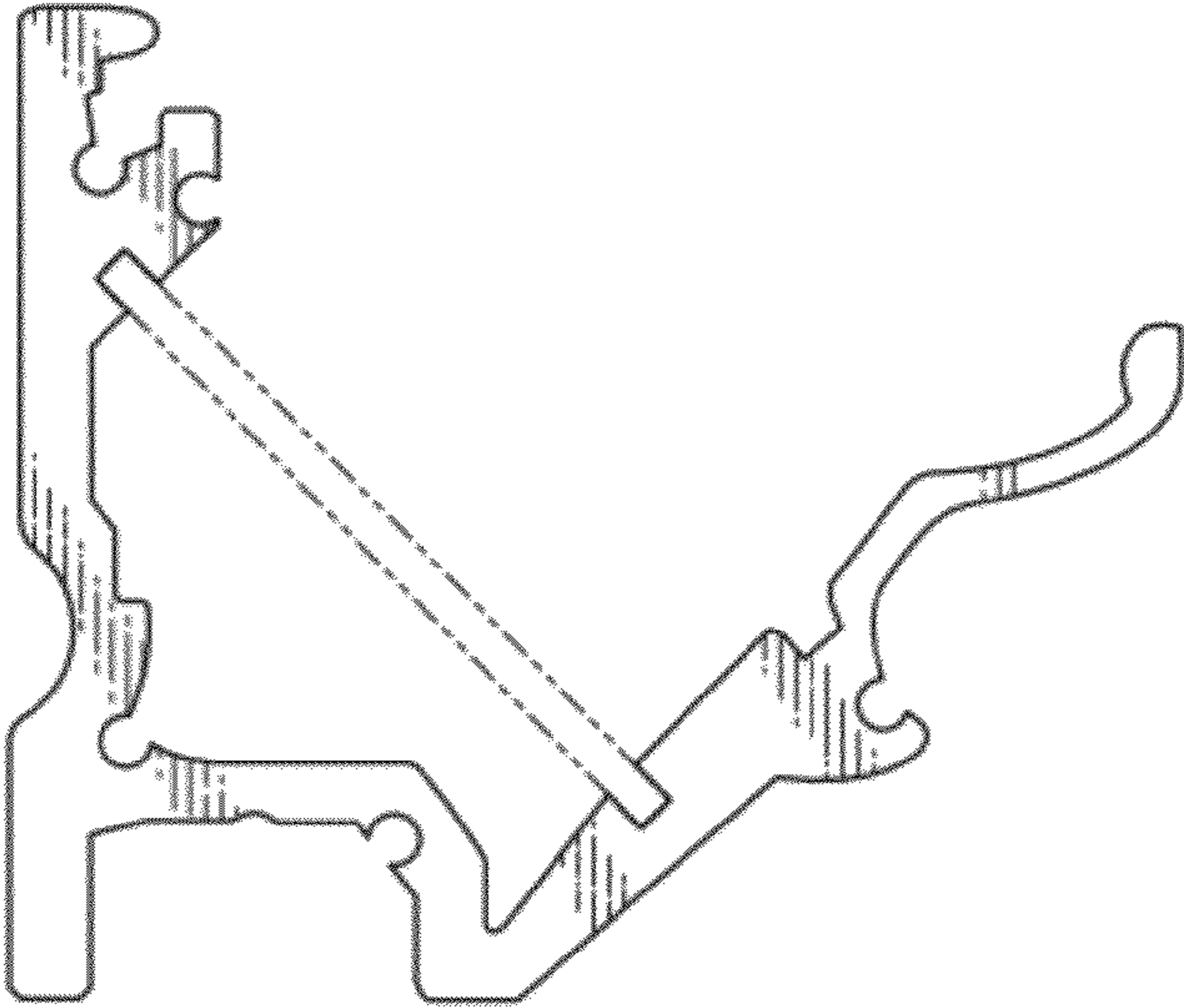


FIG. 2

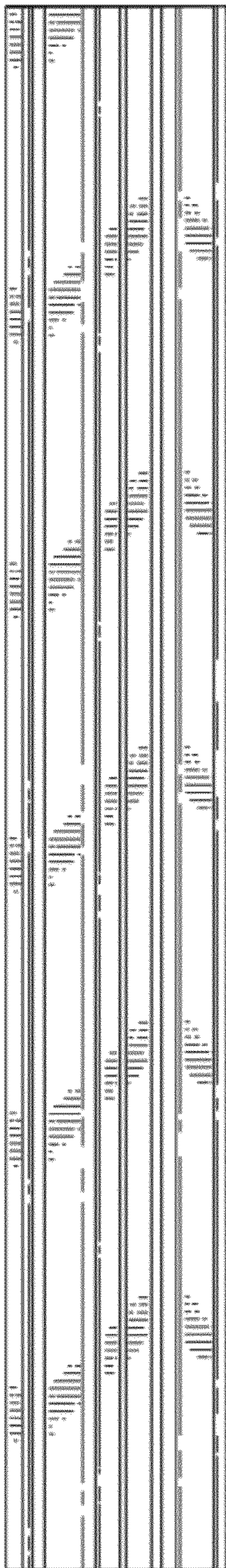


FIG. 3

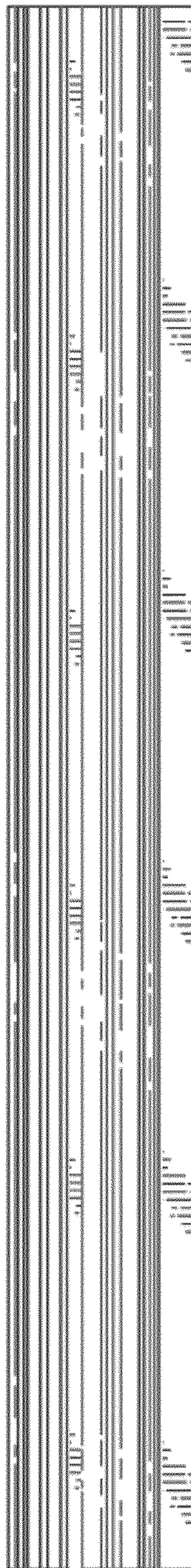


FIG. 4

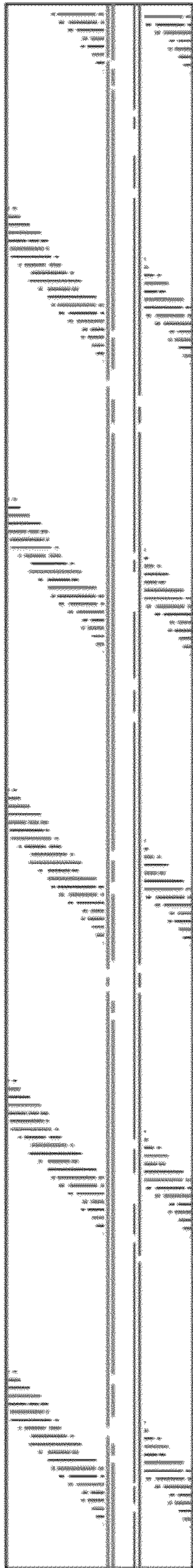


FIG. 5

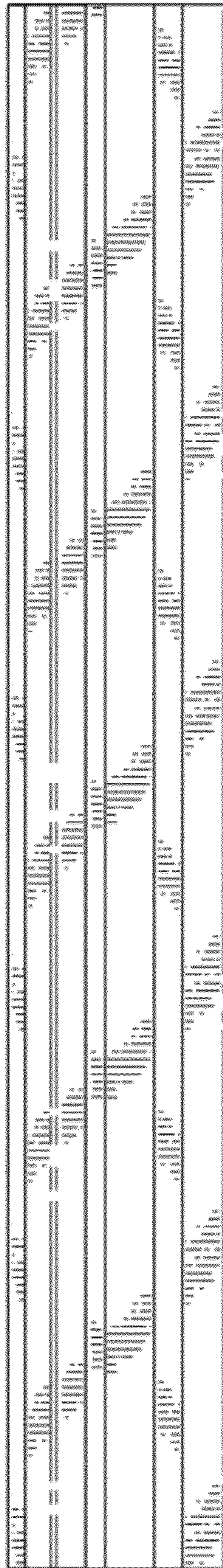


FIG. 6