

US00D669209S

(12) **United States Design Patent**
Choi et al.

(10) **Patent No.:** **US D669,209 S**
(45) **Date of Patent:** **** Oct. 16, 2012**

(54) **LED CEILING LIGHT**

(75) Inventors: **Jae Seung Choi**, Seoul (KR); **Won Ho Jin**, Seoul (KR)

(73) Assignee: **LG Electronics Inc.**, Seoul (KR)

(**) Term: **14 Years**

(21) Appl. No.: **29/410,459**

(22) Filed: **Jan. 9, 2012**

(30) **Foreign Application Priority Data**

Jul. 15, 2011 (KR) 30-2011-0029599

(51) **LOC (9) Cl.** **26-03**

(52) **U.S. Cl.** **D26/90**

(58) **Field of Classification Search** D26/72,
D26/75, 76, 80, 83, 84, 86, 88-90, 124, 128;
362/147, 404-408

See application file for complete search history.

(56) **References Cited**

U.S. PATENT DOCUMENTS

D165,738 S * 1/1952 Brochstein D26/85
D336,352 S * 6/1993 Dieperink et al. D26/76
D362,321 S * 9/1995 Houssin et al. D26/63

D455,516 S * 4/2002 Casciani et al. D26/76
D456,550 S * 4/2002 Clodagh D26/85
D561,926 S * 2/2008 Salman D26/76
D562,493 S * 2/2008 Chen D26/88
D592,794 S * 5/2009 Chandler D26/88
D622,892 S * 8/2010 Nicholas D26/88
D634,054 S * 3/2011 Janssen D26/89
D649,280 S * 11/2011 Sabernig D26/90
D649,281 S * 11/2011 Sabernig D26/90
D655,441 S * 3/2012 Sabernig D26/88

* cited by examiner

Primary Examiner — Clare E Heflin

(74) *Attorney, Agent, or Firm* — Morgan, Lewis & Bockius LLP

(57) **CLAIM**

We claim the ornamental design for a LED ceiling light, as shown and described.

DESCRIPTION

FIG. 1 is a perspective view of a LED ceiling light showing our new design;

FIG. 2 is a front elevation view thereof;

FIG. 3 is a rear elevation view thereof;

FIG. 4 is a left-side elevation view thereof;

FIG. 5 is a right-side elevation view thereof;

FIG. 6 is a top plan view thereof; and,

FIG. 7 is a bottom plan view thereof.

1 Claim, 5 Drawing Sheets

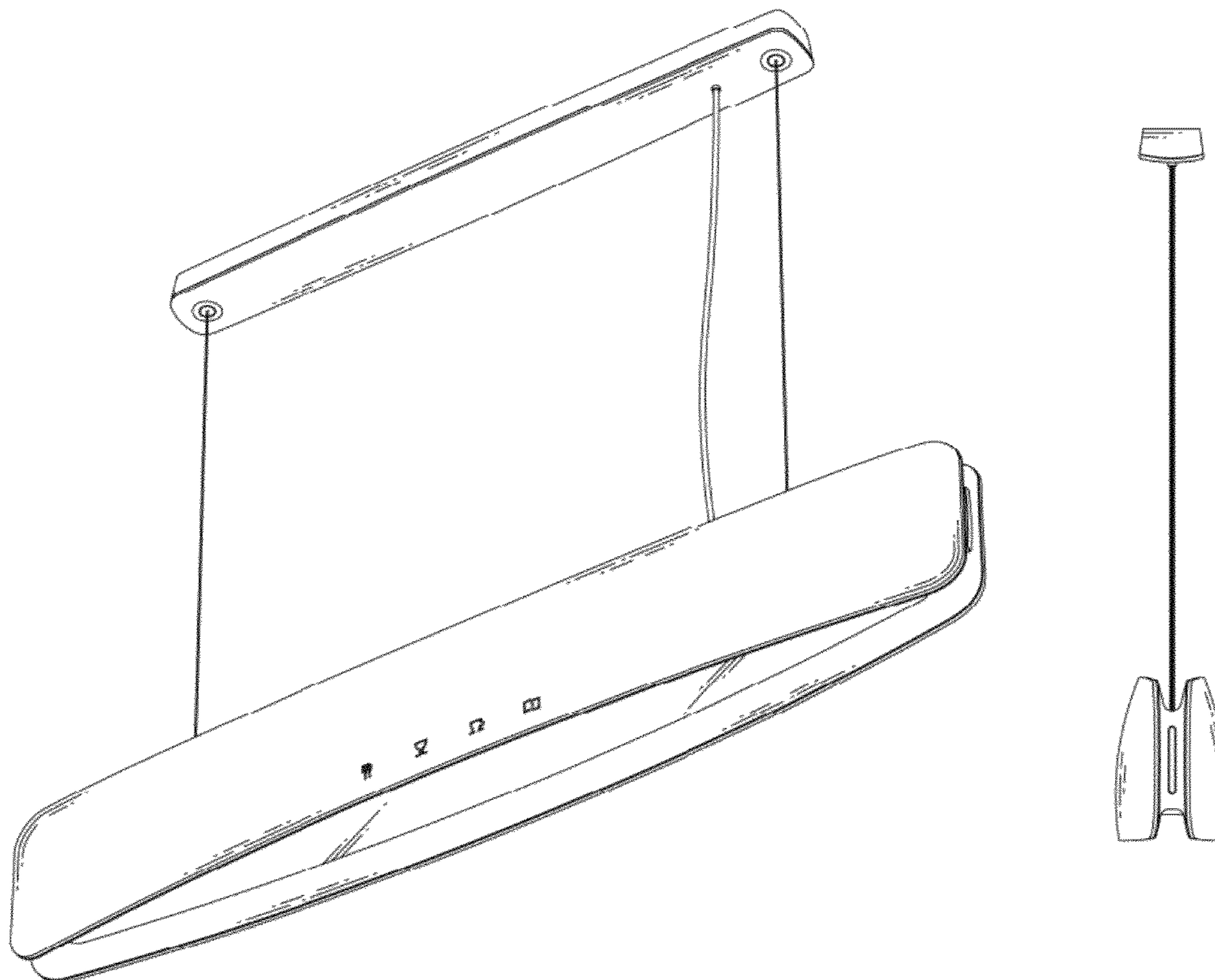


FIG. 1

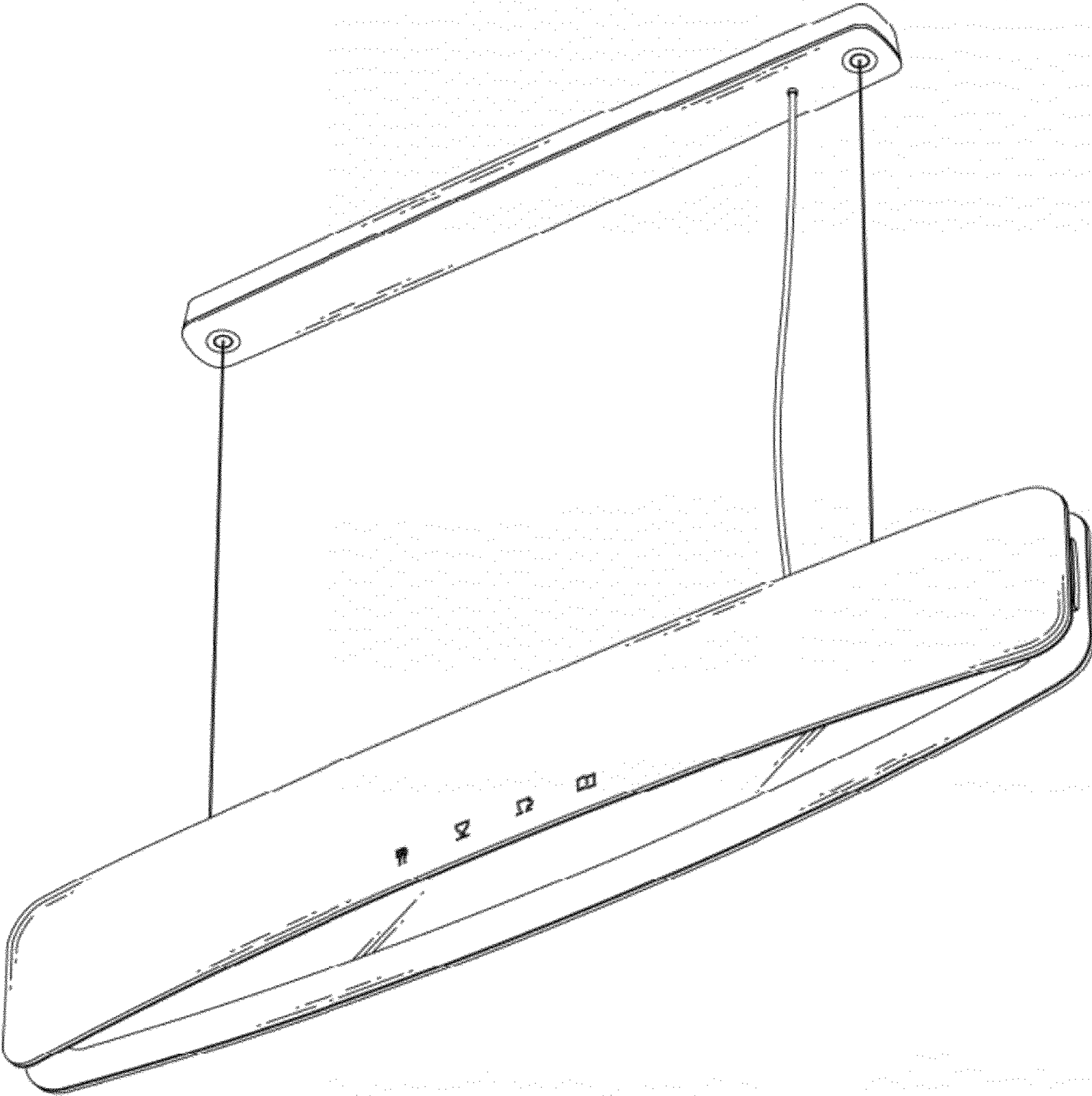


FIG. 2

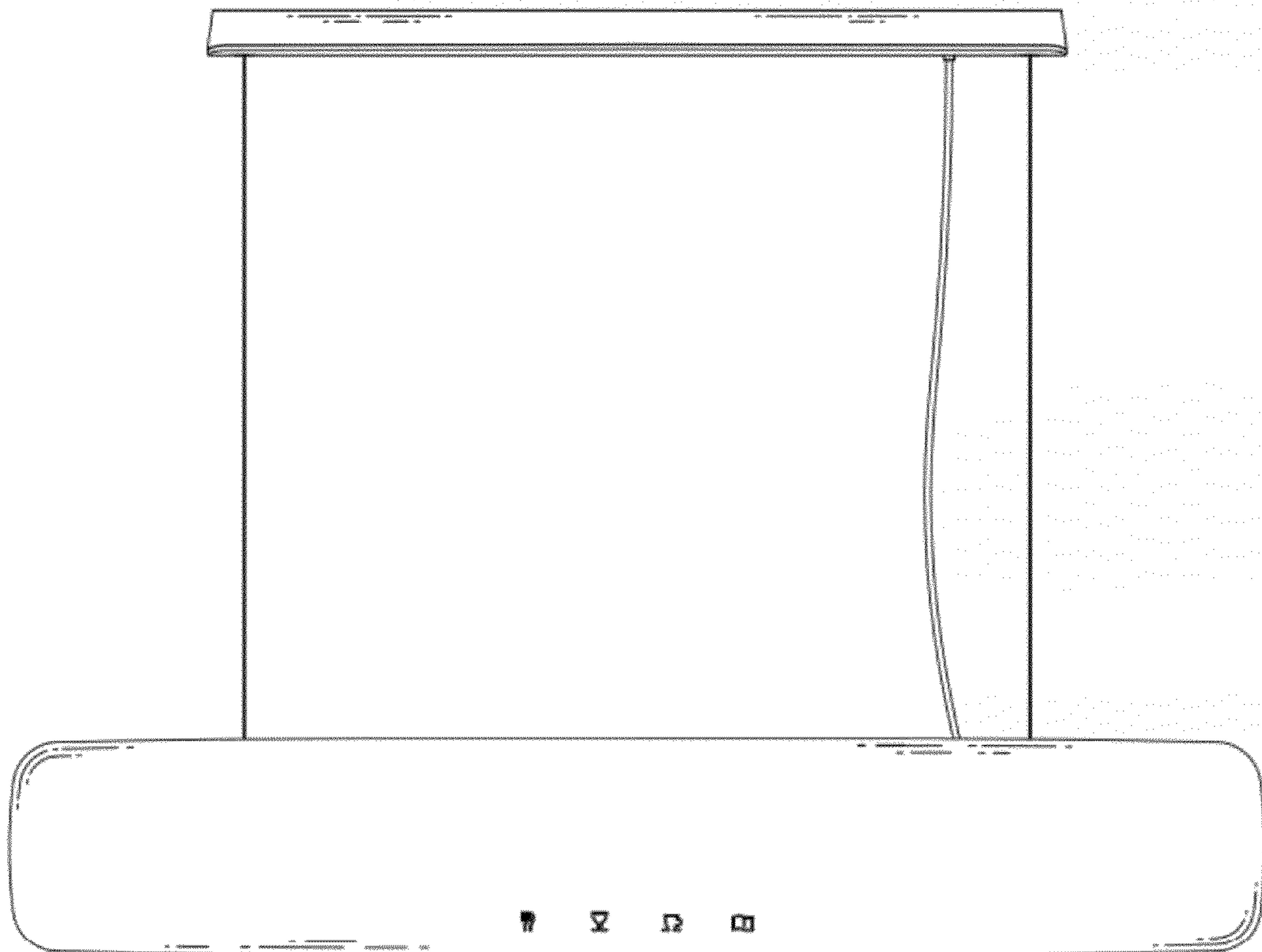


FIG. 3

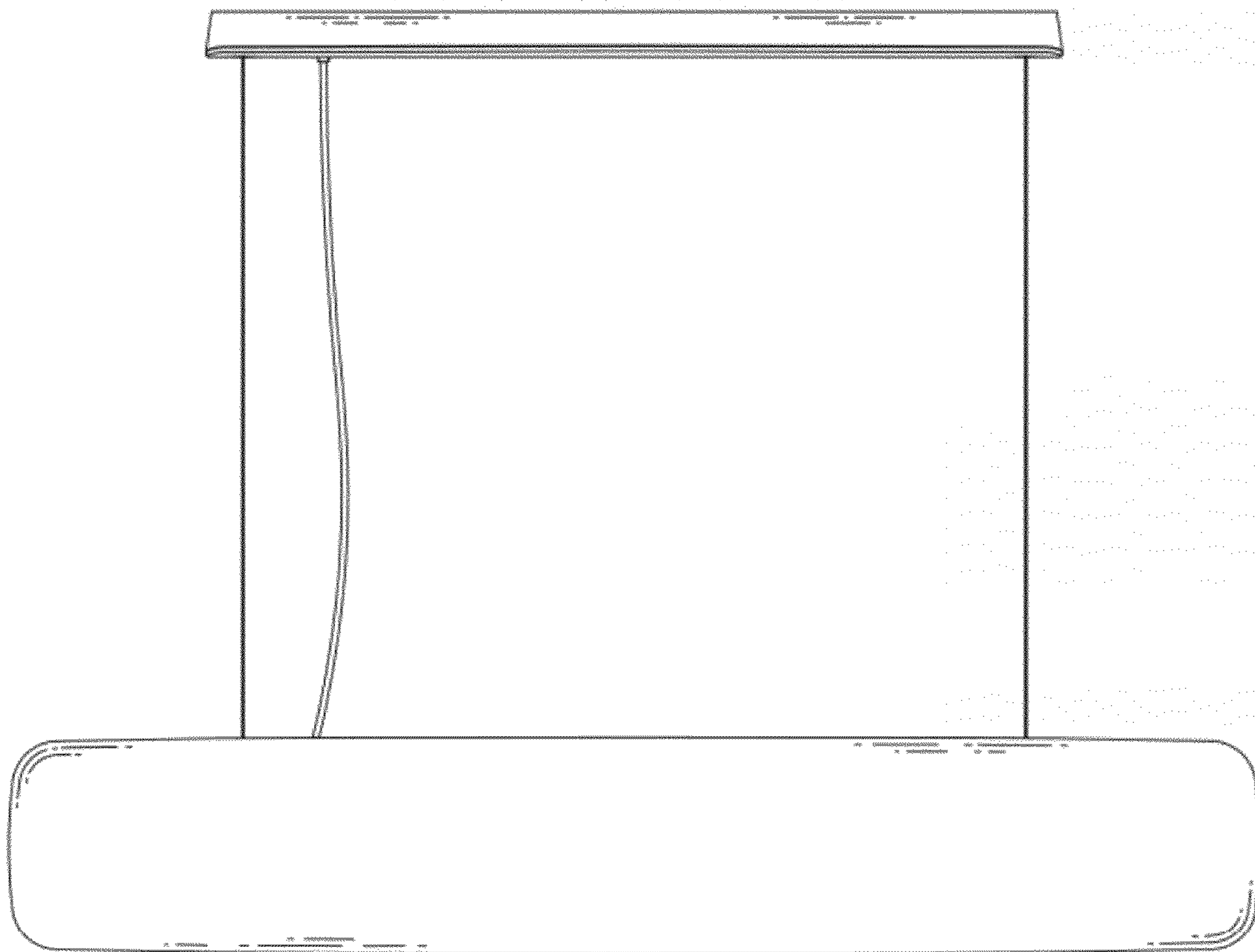


FIG. 4

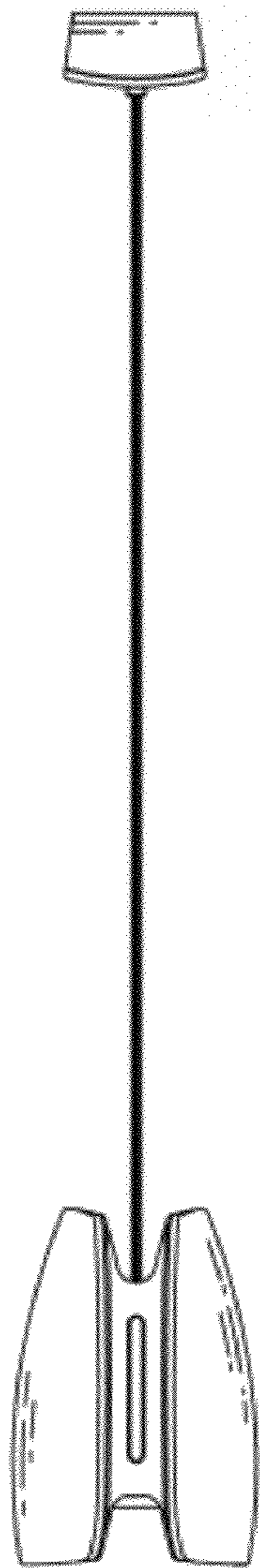


FIG. 5

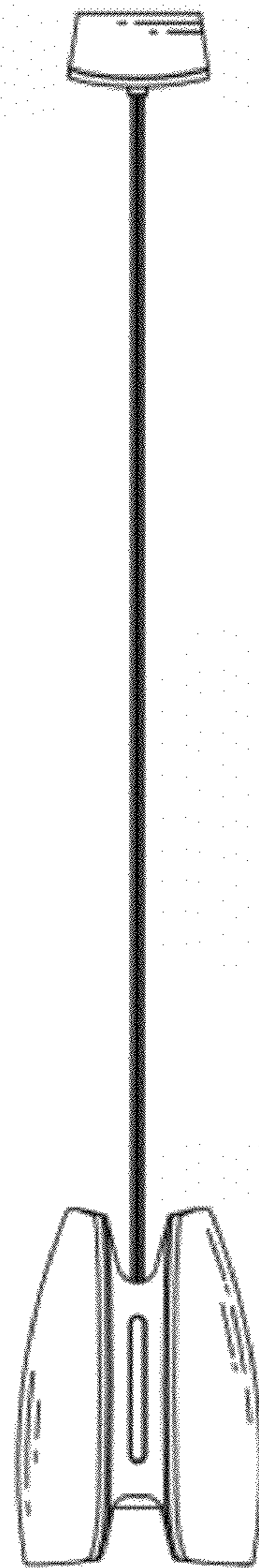


FIG.6

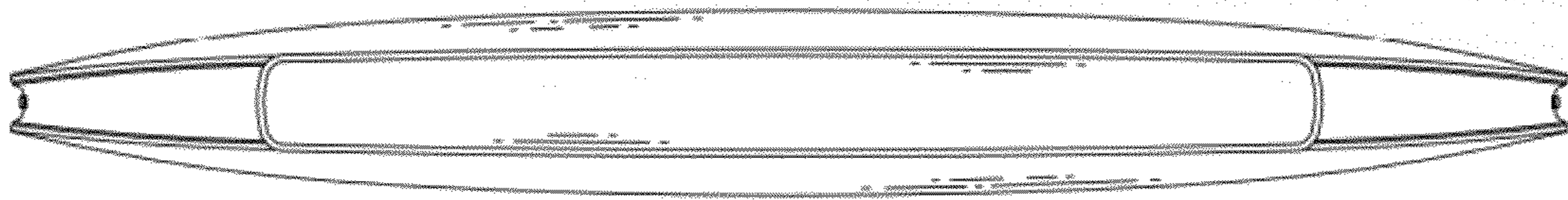


FIG.7

