

US00D669207S

(12) **United States Design Patent**  
**Chen**

(10) **Patent No.:** **US D669,207 S**  
(45) **Date of Patent:** **\*\* Oct. 16, 2012**

(54) **LED LAMP**  
(75) Inventor: **Chi-Lin Chen**, Taipei (TW)  
(73) Assignee: **USTA Co., Ltd.**, Taipei (TW)  
(\*\*) Term: **14 Years**

D383,560 S \* 9/1997 Palmer ..... D26/72  
D403,097 S \* 12/1998 Littman ..... D26/87  
D523,165 S \* 6/2006 Schultz ..... D26/76  
D553,784 S \* 10/2007 Estes ..... D26/85  
D581,079 S \* 11/2008 Mier-Langner ..... D26/72  
D583,976 S \* 12/2008 Horn et al. .... D26/72  
D589,638 S \* 3/2009 Collins ..... D26/72  
D610,287 S \* 2/2010 Gill ..... D26/71

\* cited by examiner

(21) Appl. No.: **29/410,458**

*Primary Examiner* — Clare E Heflin

(22) Filed: **Jan. 9, 2012**

(74) *Attorney, Agent, or Firm* — Guice Patents PLLC

(51) **LOC (9) Cl.** ..... **26-03**

(52) **U.S. Cl.** ..... **D26/87; D26/85**

(58) **Field of Classification Search** ..... D26/70,  
D26/71, 72, 75, 76, 80, 85, 87, 92; 362/147,  
362/222, 431, 432, 183, 33

See application file for complete search history.

(57) **CLAIM**

The ornamental design for an LED lamp, as shown and described.

**DESCRIPTION**

FIG. 1 is a perspective view of an LED lamp showing my new design;

FIG. 2 is a front view thereof;

FIG. 3 is a rear view thereof;

FIG. 4 is a left side view thereof;

FIG. 5 is a right side view thereof;

FIG. 6 is a top view thereof; and,

FIG. 7 is a bottom view thereof; and,

FIG. 8 is a perspective view showing use of an LED lamp on a wall.

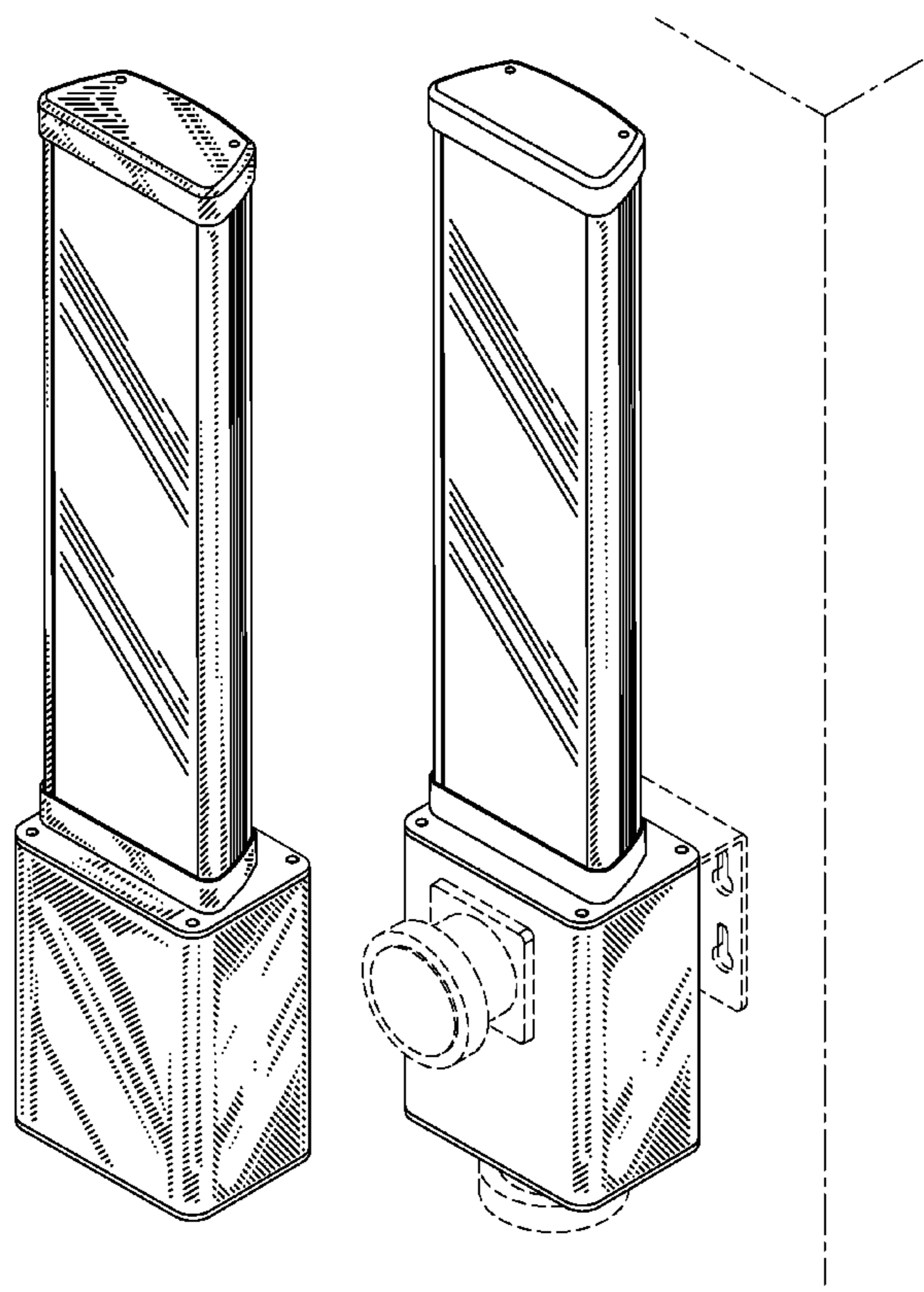
The broken lines show the state that the LED lamp is fixed onto the wall, no part of the article shown with the broken lines belongs to the claimed design.

(56) **References Cited**

**U.S. PATENT DOCUMENTS**

D161,699	S	*	1/1951	Marker	.....	D26/76
D164,507	S	*	9/1951	McCann	.....	D26/76
2,694,775	A	*	11/1954	Florence	.....	362/222
D177,347	S	*	4/1956	Oster	.....	D26/76
2,976,399	A	*	3/1961	Christy	.....	362/221
3,131,871	A	*	5/1964	Foulds	.....	362/146
3,230,360	A	*	1/1966	Short	.....	362/222
D205,302	S	*	7/1966	Wince	.....	D26/76
4,042,819	A	*	8/1977	Dacal	.....	362/222
4,464,707	A	*	8/1984	Forrest	.....	362/222
D291,602	S	*	8/1987	Dacanay	.....	D26/24
D341,901	S	*	11/1993	Monaghan	.....	D26/87

**1 Claim, 5 Drawing Sheets**



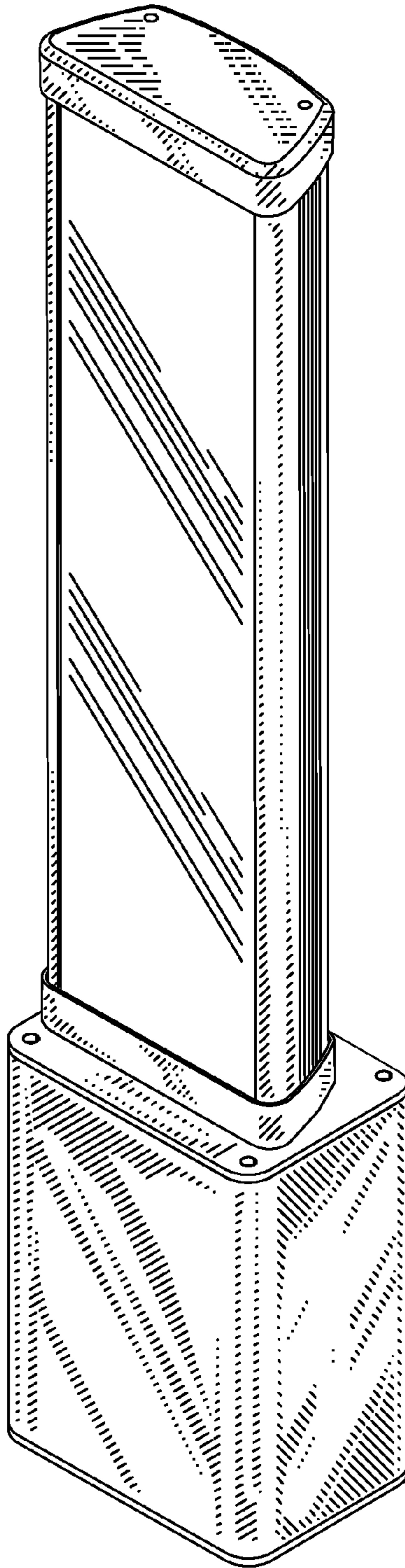


FIG. 1

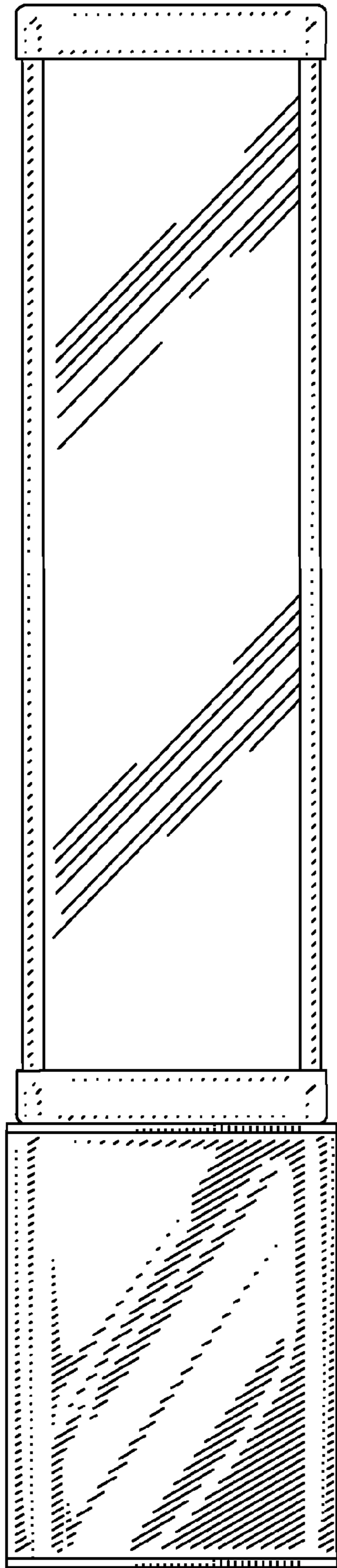


FIG. 2

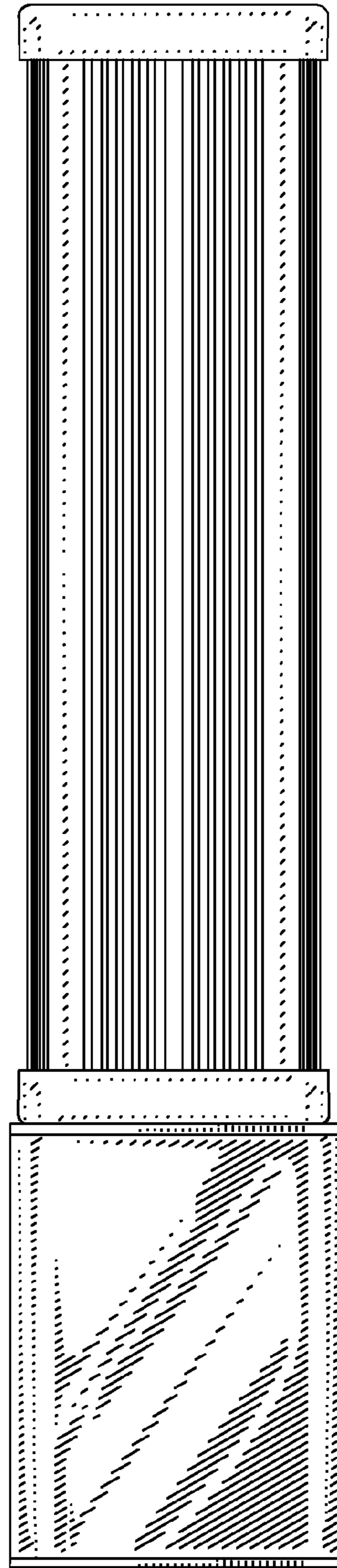


FIG. 3

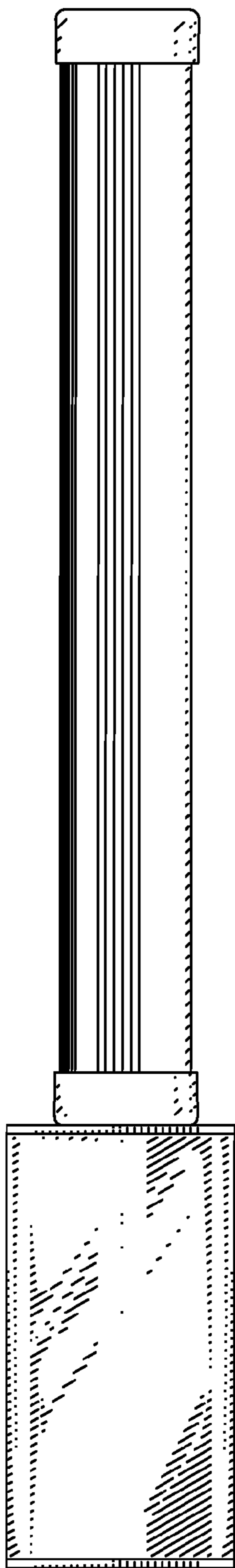


FIG. 4

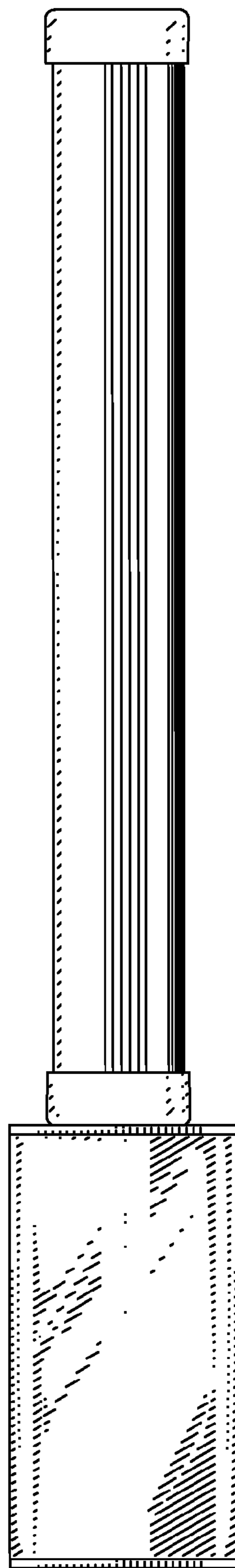


FIG. 5

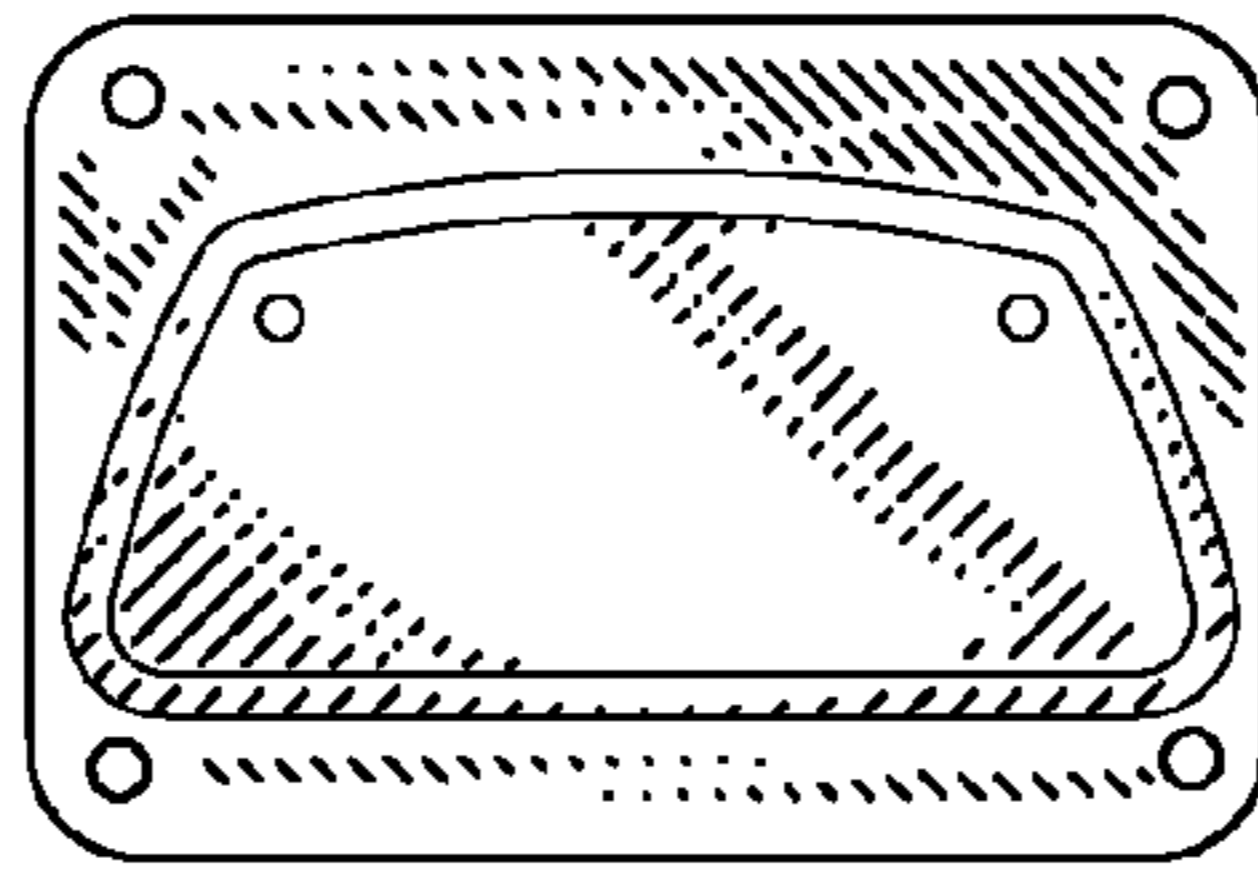


FIG. 6

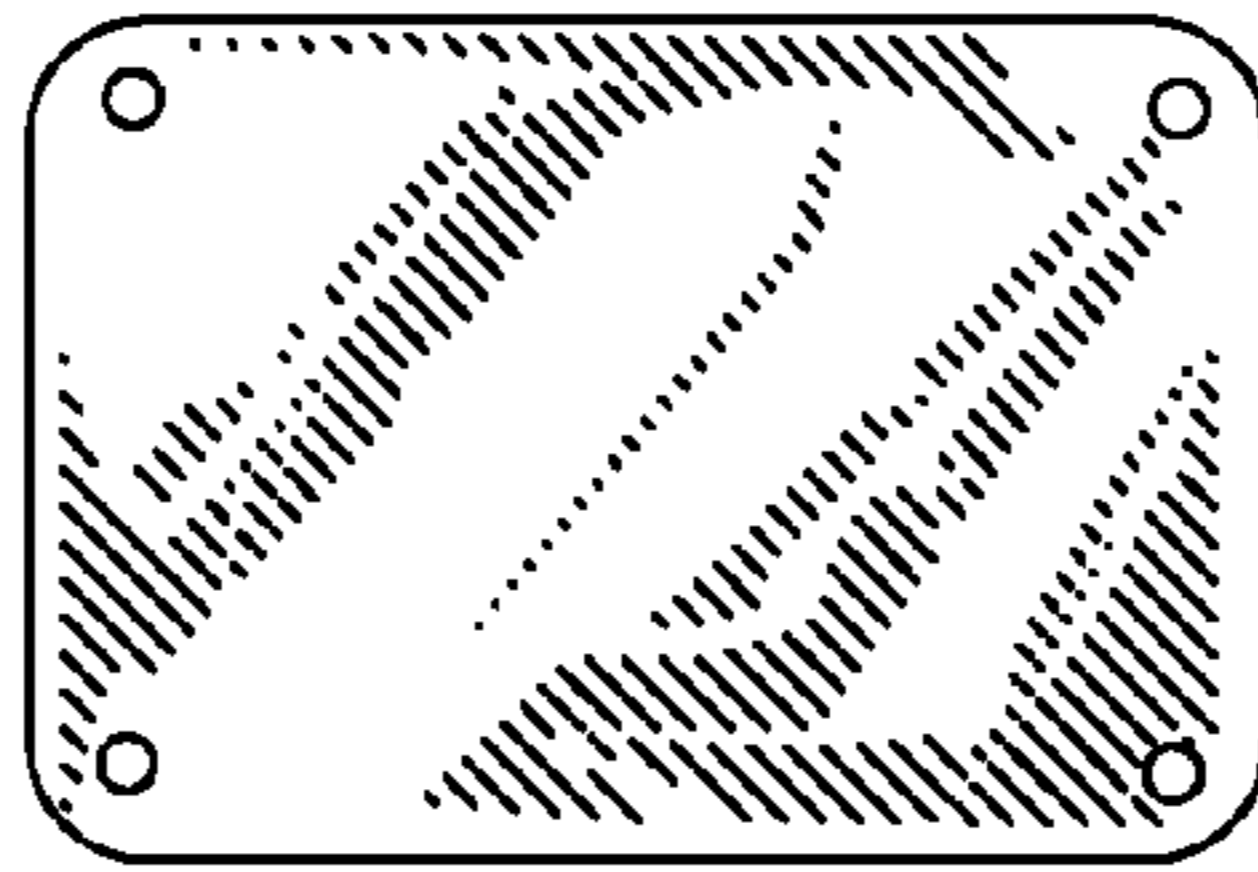


FIG. 7

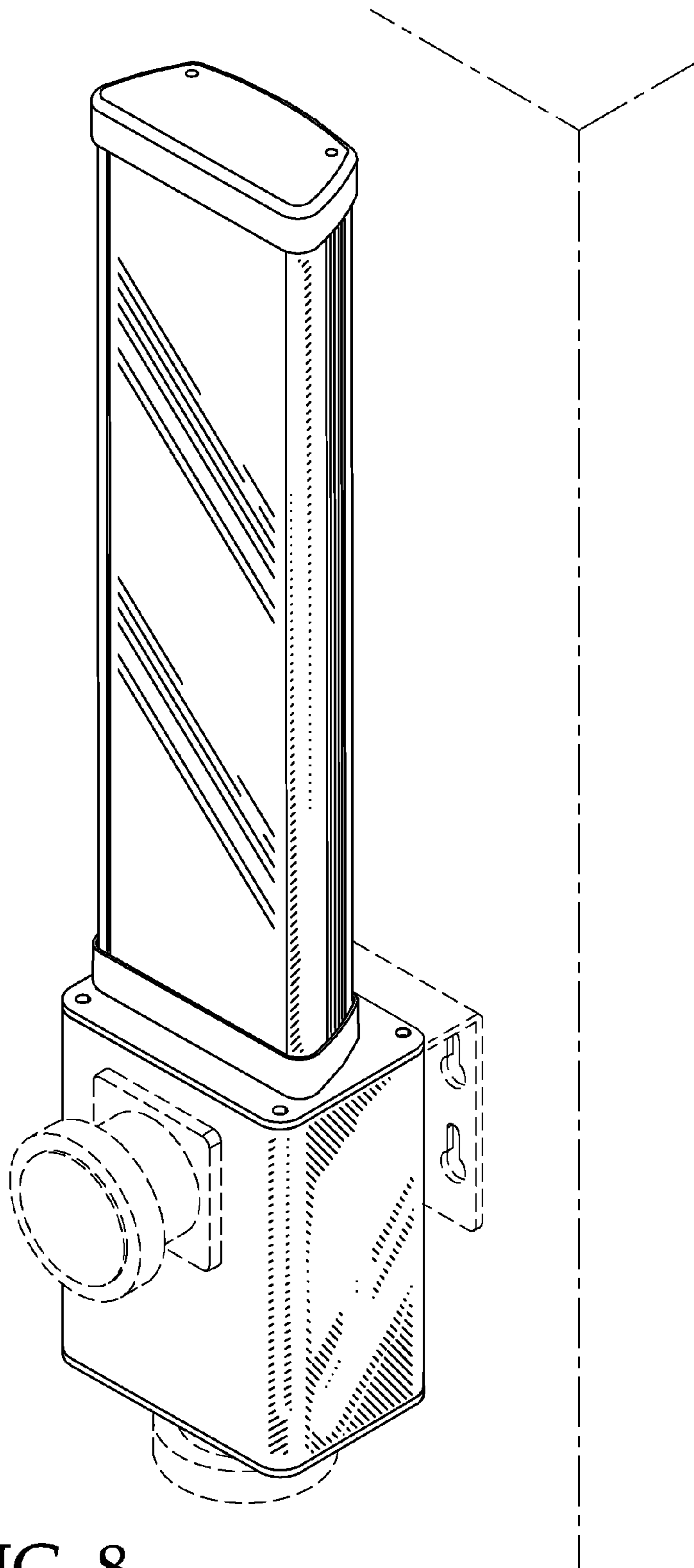


FIG. 8