

US00D669204S

(12) **United States Design Patent**  
**Snell et al.**

(10) **Patent No.:** **US D669,204 S**  
(45) **Date of Patent:** **\*\* Oct. 16, 2012**

(54) **MODULAR INDIRECT SUSPENDED/CEILING MOUNT FIXTURE**

(75) Inventors: **Nathan Snell**, Raleigh, NC (US); **James Michael Lay**, Cary, NC (US); **Nick Nguyen**, Durham, NC (US); **Patrick John O’Flaherty**, Morrisville, NC (US)

(73) Assignee: **Cree, Inc.**, Durham, NC (US)

(\*\*) Term: **14 Years**

(21) Appl. No.: **29/397,952**

(22) Filed: **Jul. 24, 2011**

(51) **LOC (9) Cl.** ..... **26-03**

(52) **U.S. Cl.** ..... **D26/76**

(58) **Field of Classification Search** ..... D26/72, D26/74, 75, 76, 77, 78, 79, 80, 81, 82, 83, D26/84, 85, 88, 89, 90, 122; 362/145, 146, 362/147, 148, 150, 151, 152, 153, 153.1, 362/217.01, 217.02, 217.05, 217.06, 217.07, 362/217.08, 217.09, 217.1, 217.11, 249.02, 362/260, 296.07, 311.02

See application file for complete search history.

(56) **References Cited**

**U.S. PATENT DOCUMENTS**

D122,586 S *	9/1940	Koegel	.....	D26/78
D122,909 S *	10/1940	Stern	.....	D26/78
D123,761 S *	12/1940	Pieper	.....	D26/24
D123,768 S *	12/1940	Scribner	.....	D26/78
D125,001 S *	2/1941	Klingsick	.....	D26/78
D125,750 S *	3/1941	Biller	.....	D26/78
D349,358 S *	8/1994	Herst et al.	.....	D26/85
D374,301 S *	10/1996	Kleffman	.....	D26/76
5,823,663 A	10/1998	Bell et al.	.....	362/362
6,210,025 B1	4/2001	Schmidt et al.	.....	362/362
D452,030 S *	12/2001	Collver	.....	D26/76
D520,173 S *	5/2006	Plunk	.....	D26/78

7,049,761 B2	5/2006	Timmermans et al.	.....	315/246
7,213,940 B1	5/2007	Van de Ven et al.	.....	362/231
7,510,299 B2	3/2009	Timmermans et al.	.....	362/225
D592,785 S *	5/2009	Bisberg et al.	.....	D26/76
D592,786 S *	5/2009	Bisberg et al.	.....	D26/76

(Continued)

**FOREIGN PATENT DOCUMENTS**

EM 1298383 A2 4/2003

(Continued)

**OTHER PUBLICATIONS**

U.S. Appl. No. 12/873,303, filed Aug. 31, 2010 to Edmond, at al.

*Primary Examiner* — Angela J Lee

(74) *Attorney, Agent, or Firm* — Koppel, Patrick, Heybl & Philpott

(57) **CLAIM**

The ornamental design for a modular indirect suspended/ceiling mount fixture, as shown and described herein.

**DESCRIPTION**

FIG. 1 is a bottom side perspective view of a lighting fixture according to an embodiment of the present invention.

FIG. 2 is a first end elevation view of a lighting fixture according to an embodiment of the present invention.

FIG. 3 is a second end elevation view of a lighting fixture according to an embodiment of the present invention.

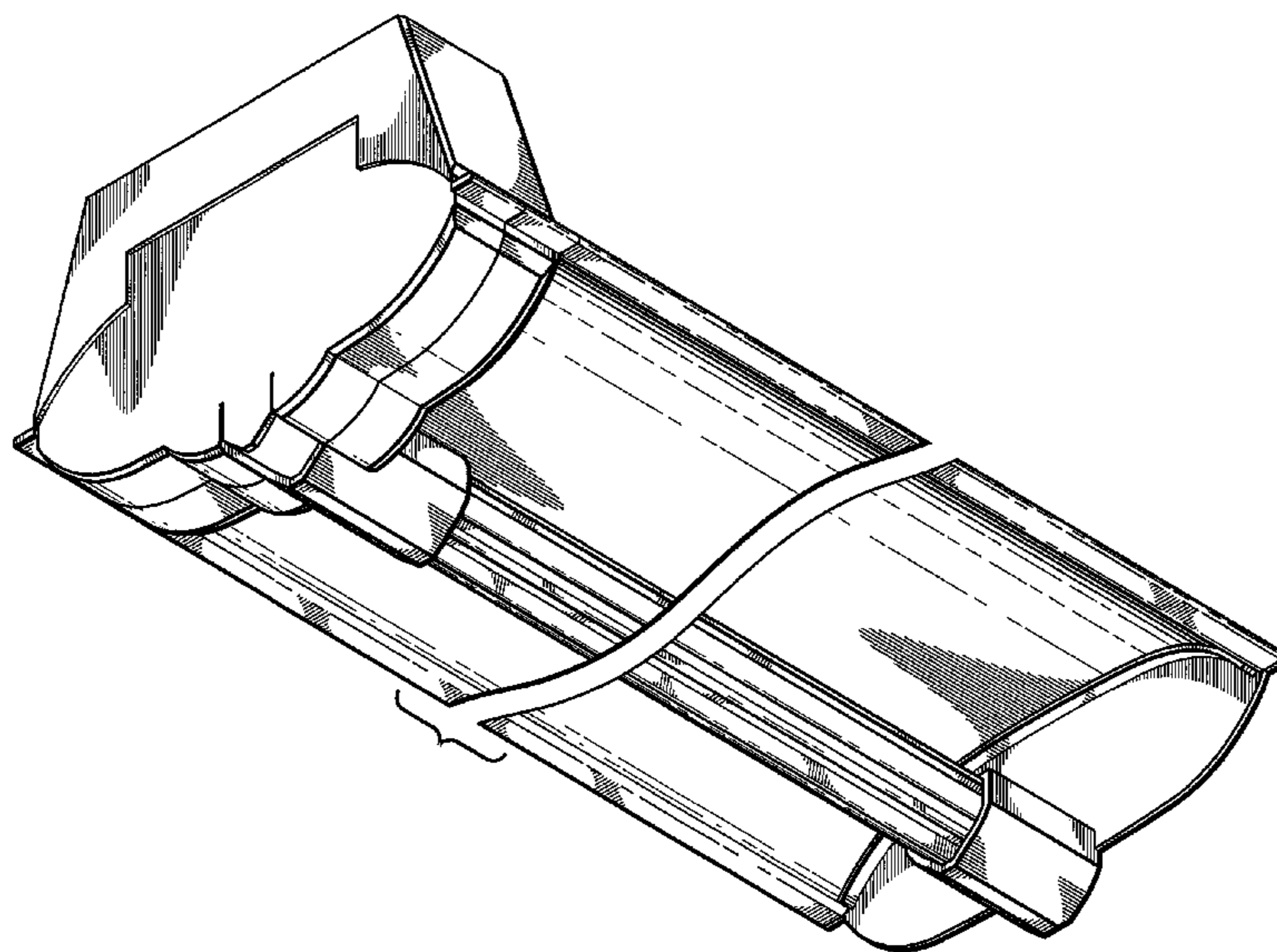
FIG. 4 is a side elevation view of a lighting fixture according to an embodiment of the present invention with the opposite side being a mirror image.

FIG. 5 is a top plan view of a lighting fixture according to an embodiment of the present invention; and,

FIG. 6 is a bottom plan view of a lighting fixture according to an embodiment of the present invention.

FIGS. 1 and 4-6 are shown broken away to indicate that no particular length is claimed.

**1 Claim, 5 Drawing Sheets**



# US D669,204 S

Page 2

---

## U.S. PATENT DOCUMENTS

D616,138	S	*	5/2010	Lasthein et al. ....	D26/76
7,712,918	B2		5/2010	Siemiet et al. ....	362/241
7,722,220	B2		5/2010	Van de Ven ....	362/294
7,768,192	B2		8/2010	Van de Ven et al. ....	313/503
7,815,338	B2		10/2010	Siemiet et al. ....	362/218
8,092,049	B2		1/2012	Kinnune et al. ....	362/294
2004/0001344	A1		1/2004	Hecht	
2007/0115670	A1		5/2007	Roberts et al.	
2007/0115671	A1		5/2007	Roberts et al.	

2009/0225543	A1	9/2009	Roberts et al.
2009/0323334	A1	12/2009	Roberts et al.
2011/0199005	A1	8/2011	Bretschneider et al.
2011/0199769	A1	8/2011	Bretschneider et al.

## FOREIGN PATENT DOCUMENTS

EM	1847762	A2	10/2007
WO	WO2011140353	A2	11/2011

\* cited by examiner

FIG. 1

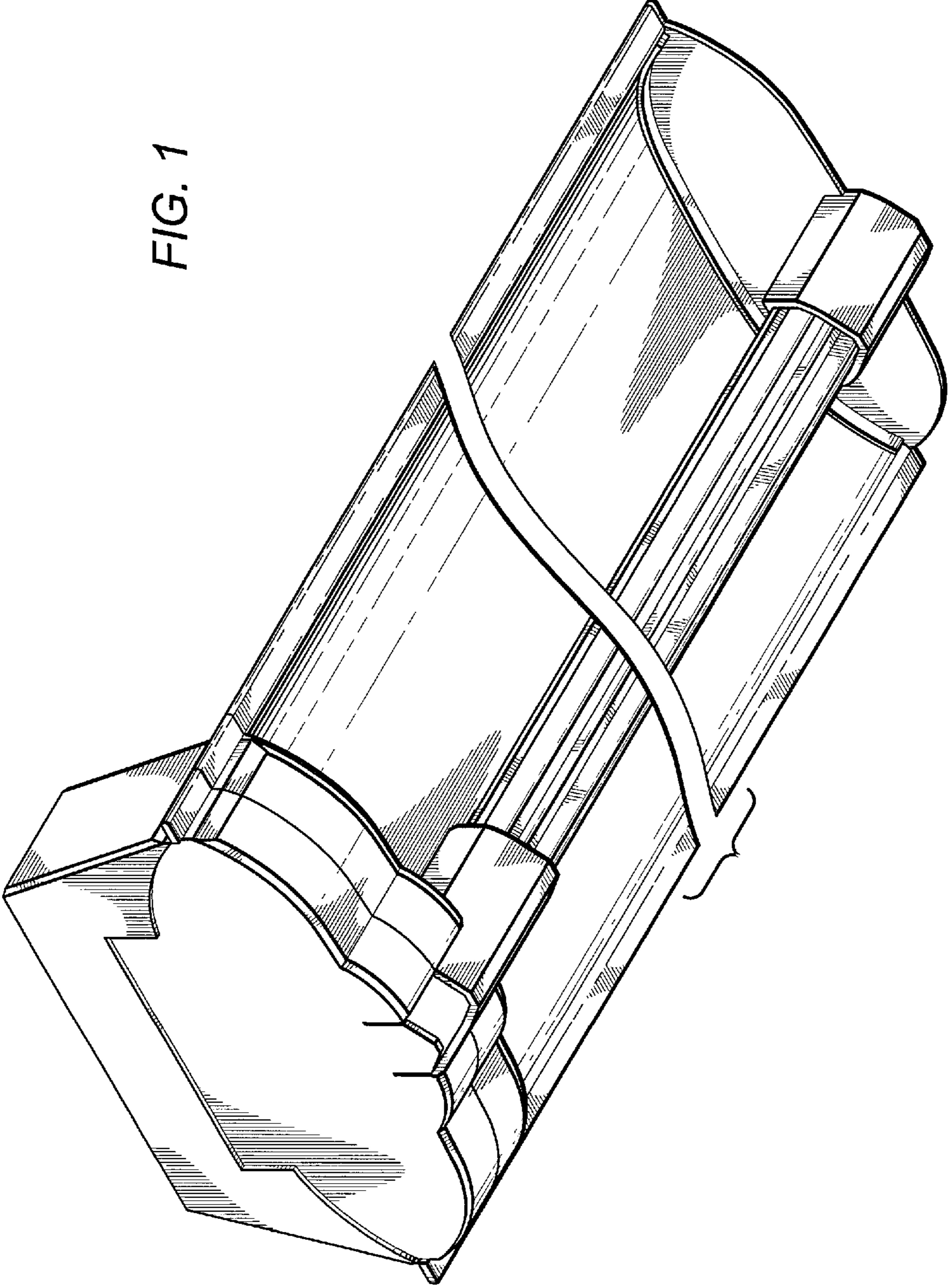






FIG. 2

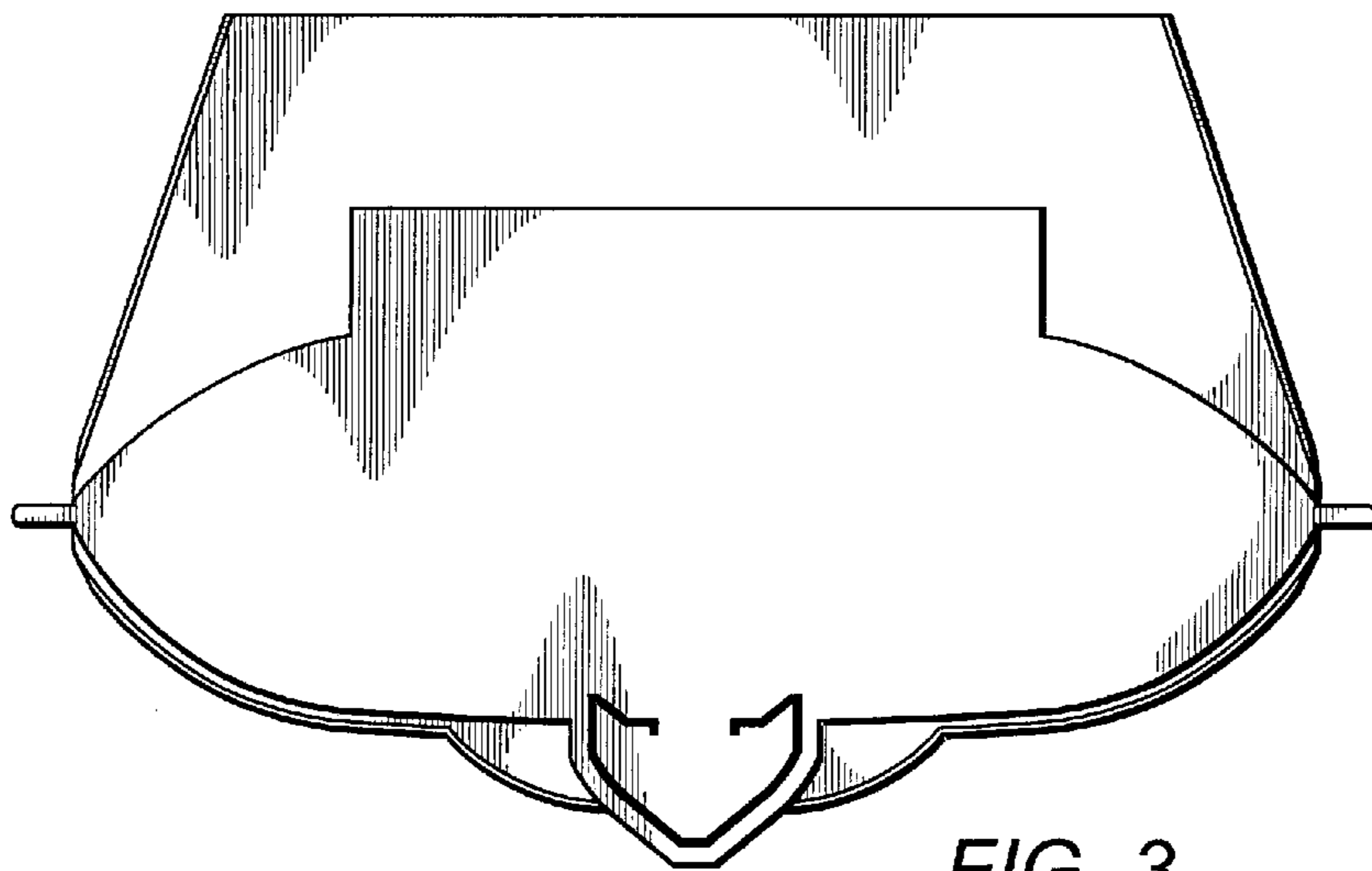


FIG. 3

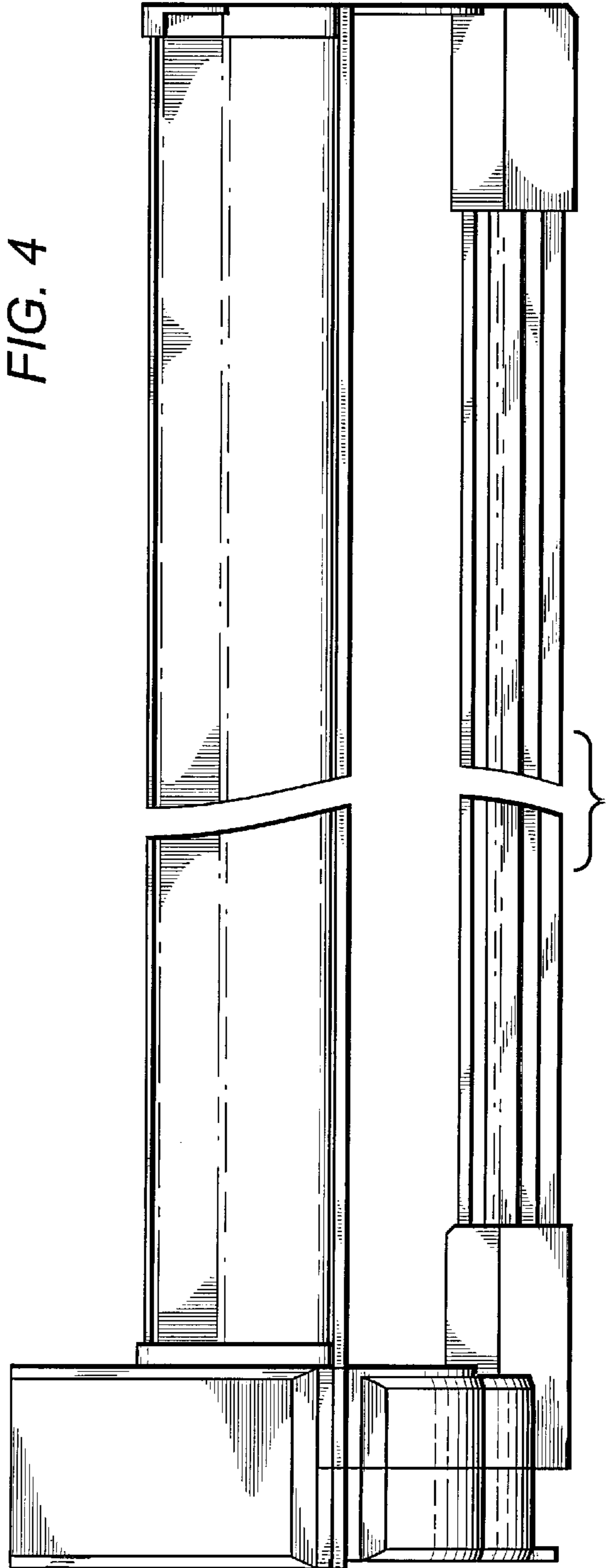


FIG. 4

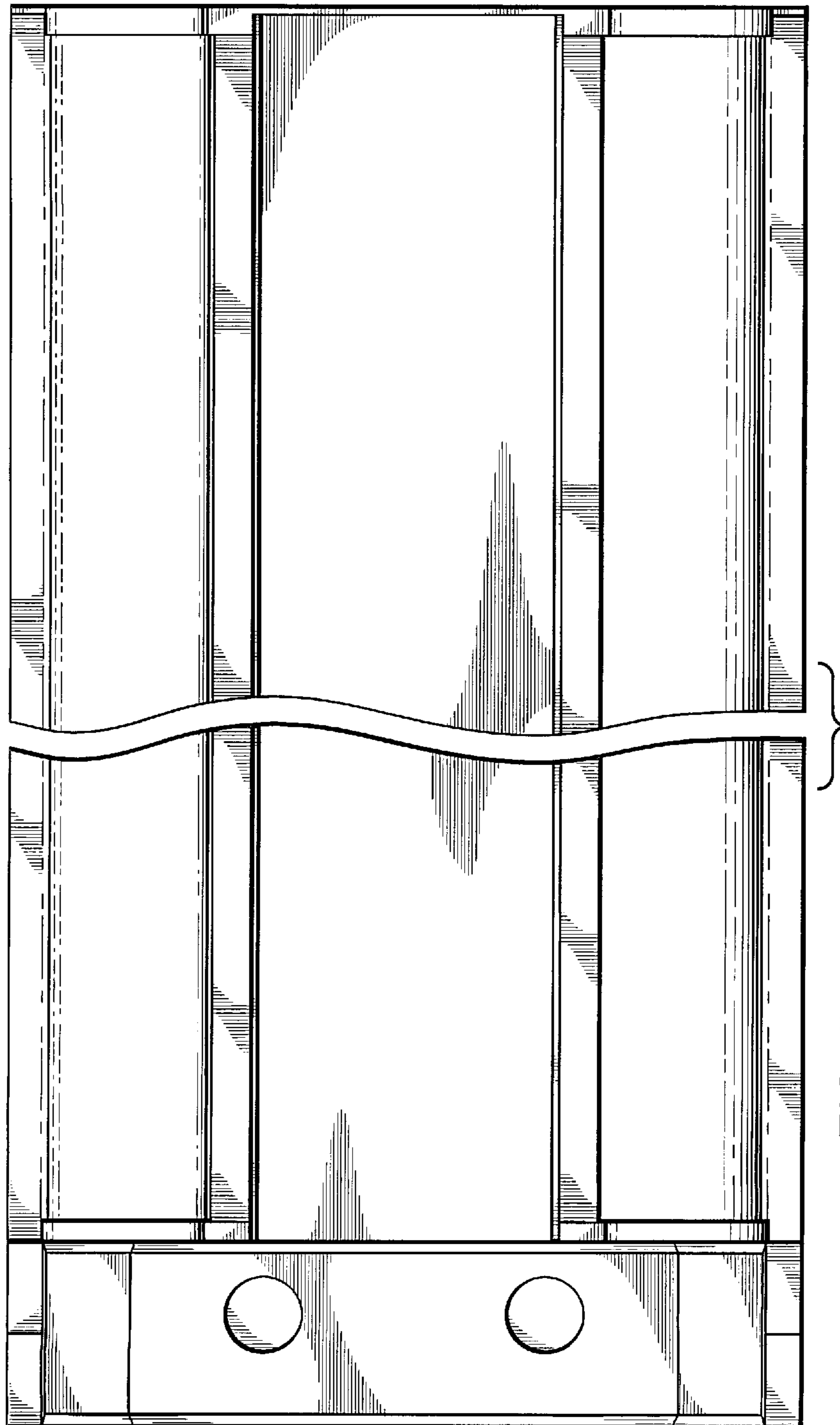


FIG. 5

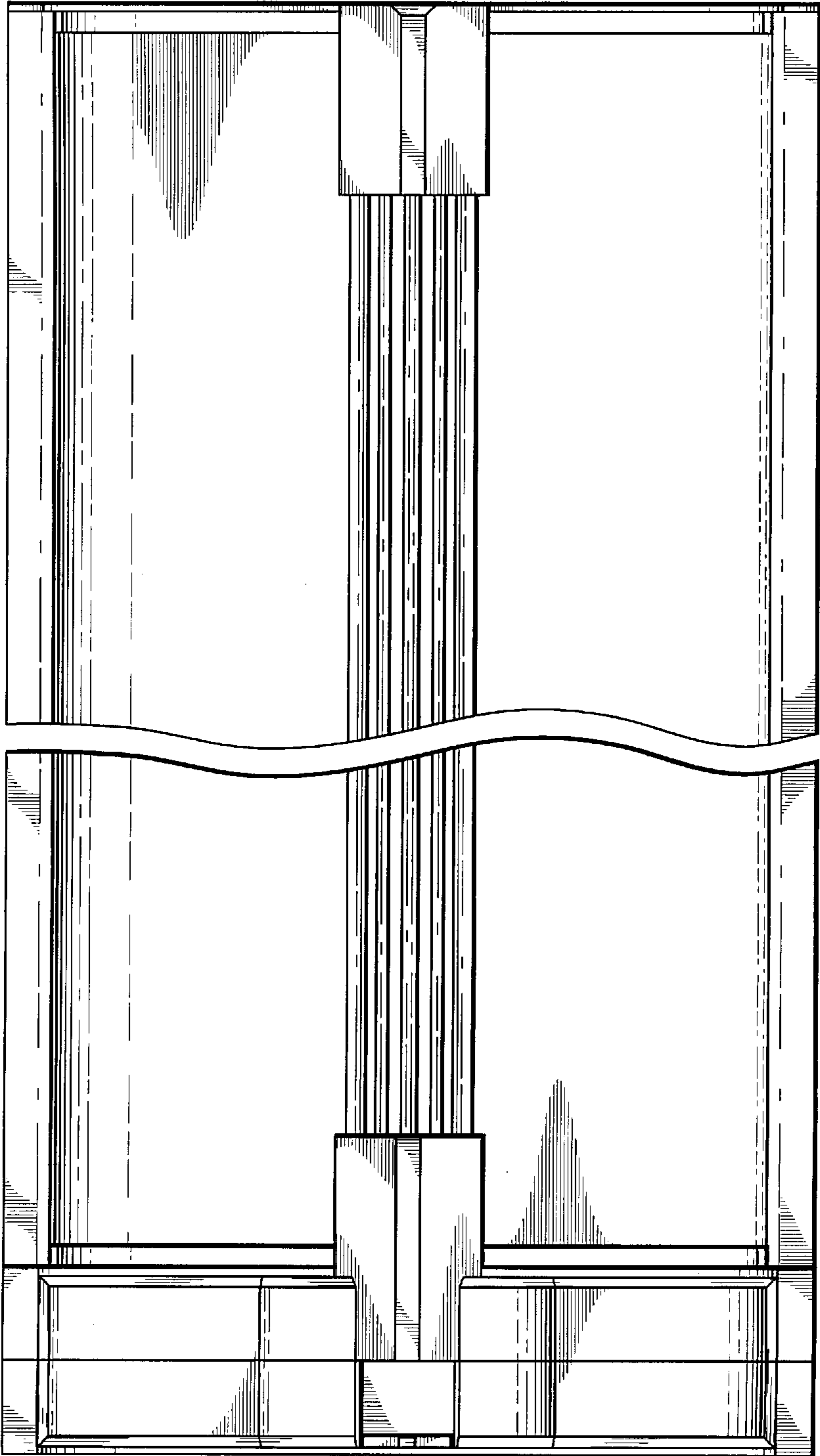


FIG. 6