



US00D669203S

(12) **United States Design Patent**
Herberholt

(10) **Patent No.:** **US D669,203 S**
(45) **Date of Patent:** **** Oct. 16, 2012**

(54) **INTERIOR LIGHT ASSEMBLY WITH
FLARED VISOR**

7,106,185 B1 9/2006 Neufeglise
7,325,938 B2 2/2008 Yoshida et al.
D617,929 S * 6/2010 Kuo D26/60

(75) Inventor: **Steven James Herberholt**, St. Charles,
MO (US)

(Continued)

(73) Assignee: **Code 3, Inc.**, St. Louis, MO (US)

OTHER PUBLICATIONS

(**) Term: **14 Years**

CrossFire LED & Safety Products, 'The Flash' Single Head Wind-
shield Mount Warning Light on p. 1 of 2. © 2009. [Retrieved on Feb.
8, 2012]. Retrieved from the Internet <URL: <http://www.crossfireled.com/mm5/merchant.mvc?Screen=CTGY> & Store_Code=CF& Categ...>.*

(21) Appl. No.: **29/391,473**

(22) Filed: **May 9, 2011**

(Continued)

(51) **LOC (9) Cl.** **26-05**

Primary Examiner — Susan M Lee

(52) **U.S. Cl.** **D26/63**

Assistant Examiner — Linda G. Brooks

(58) **Field of Classification Search** D26/60-66,
D26/28, 29, 31, 34, 72, 74, 76, 77, 85, 87;
362/240, 249.1, 249.01-249.03, 249.07,
362/249.09, 269, 270, 277, 280-285, 287,
362/311.02, 217.02, 278, 418, 432, 449,
362/319, 322, 253, 257, 268, 397, 806, 227,
362/487-490, 509-512, 516-519, 523, 540,
362/544, 546-549, 396, 301, 362, 368-371,
362/220-225, 217.08, 249.11, 365, 459,
362/542; D10/109.1, 111, 114.1, 114.3

(74) *Attorney, Agent, or Firm* — Senniger Powers LLP

See application file for complete search history.

(57) **CLAIM**

The ornamental design for an interior light assembly with
flared visor, as shown and described.

(56) **References Cited**

DESCRIPTION

U.S. PATENT DOCUMENTS

4,222,092	A	9/1980	Bray
4,575,782	A	3/1986	Levine et al.
4,654,757	A	3/1987	Birkhauser
4,734,675	A	3/1988	Wen
4,751,493	A	6/1988	Miller
4,851,970	A	7/1989	Bronder
D304,504	S	11/1989	Chen
D313,480	S	1/1991	Criswell
5,319,530	A	6/1994	Kreutzer et al.
5,486,808	A	1/1996	Nejdl
6,264,354	B1	7/2001	Motilal
7,093,959	B2	8/2006	Tsao

FIG. 1 is a perspective view of an interior light assembly with
flared visor, and illustrates a mounting bracket therefor in
phantom;

FIG. 2 is a front view of the interior light assembly with flared
visor;

FIG. 3 is a right side view of the interior light assembly with
flared visor, the left side view being a mirror image thereof;

FIG. 4 is a right side view of the interior light assembly with
flared visor illustrating a pivoted position of the flared visor,
the left side view being a mirror image thereof;

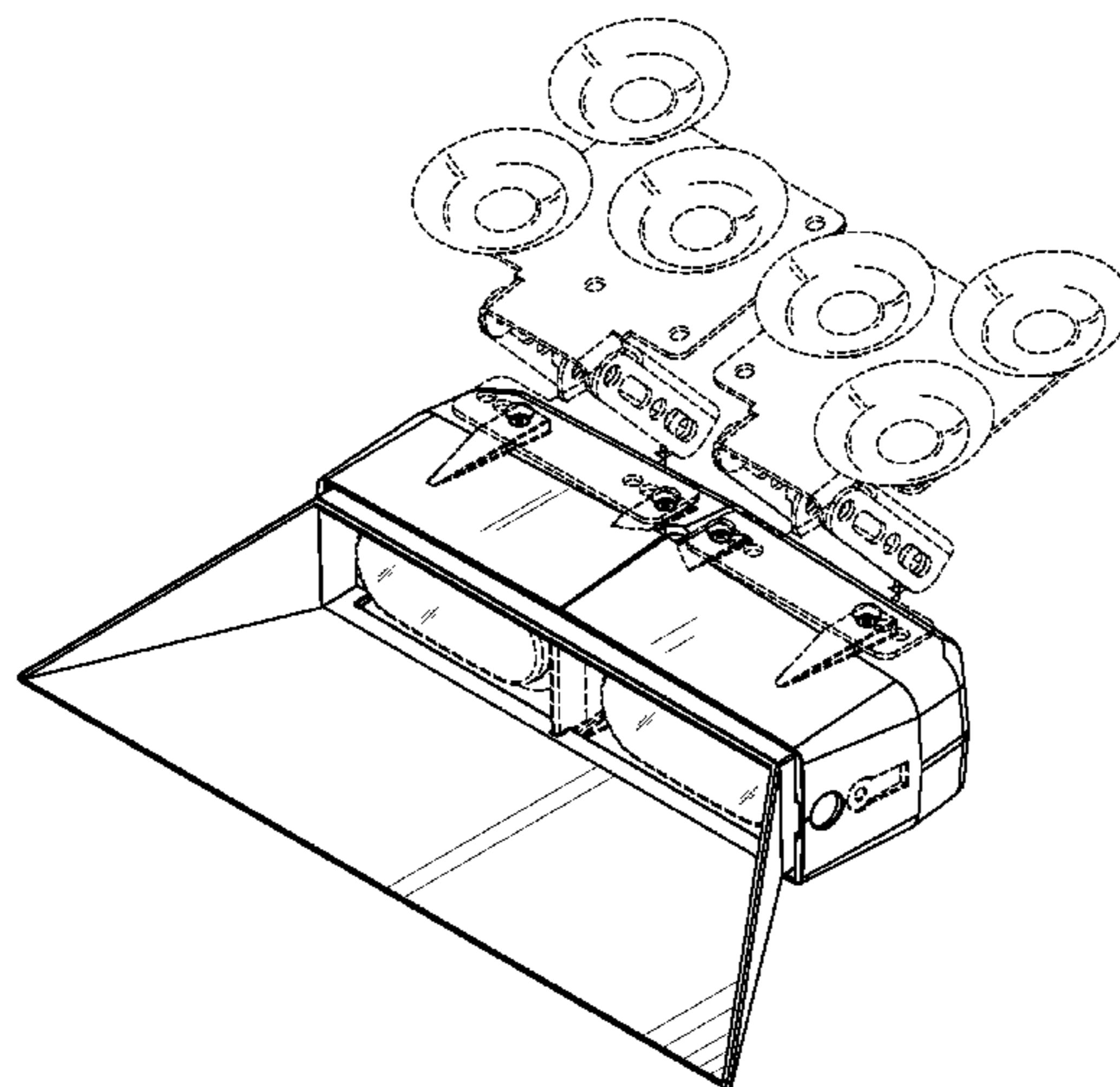
FIG. 5 is a bottom view of the interior light assembly with
flared visor;

FIG. 6 is a rear view thereof; and,

FIG. 7 is a top view thereof.

All areas encompassed by broken lines form no part of the
claimed design.

1 Claim, 7 Drawing Sheets



US D669,203 S

Page 2

U.S. PATENT DOCUMENTS

7,771,092 B2 8/2010 Yeh
D629,548 S * 12/2010 Cai et al. D26/63

OTHER PUBLICATIONS

CrossFire LED & Safety Products, 'X2 Dual Linear LED Emergency Warning Windshield Mount and Dash Light.' © 2009. [Retrieved on Feb. 8, 2012]. Retrieved from the Internet <URL: [http://www.](http://www.crossfireled.com/mm5/merchant.mvc?Screen=PROD & Store_Code=CF&pRODUC...)

[crossfireled.com/mm5/merchant.mvc?Screen=PROD & Store_Code=CF&pRODUC...>.*](http://www.crossfireled.com/mm5/merchant.mvc?Screen=PROD & Store_Code=CF&pRODUC...)

Whelen® dash lights and Signal® dash light . 2008. [Retrieved on Feb. 8, 2012]. Retrieved from the Internet <URL: [http://powellsemergencyvehicleupfitting.ecrater.com/c/614938/led-dash-lights-interior-light...>.*](http://powellsemergencyvehicleupfitting.ecrater.com/c/614938/led-dash-lights-interior-light...)

* cited by examiner

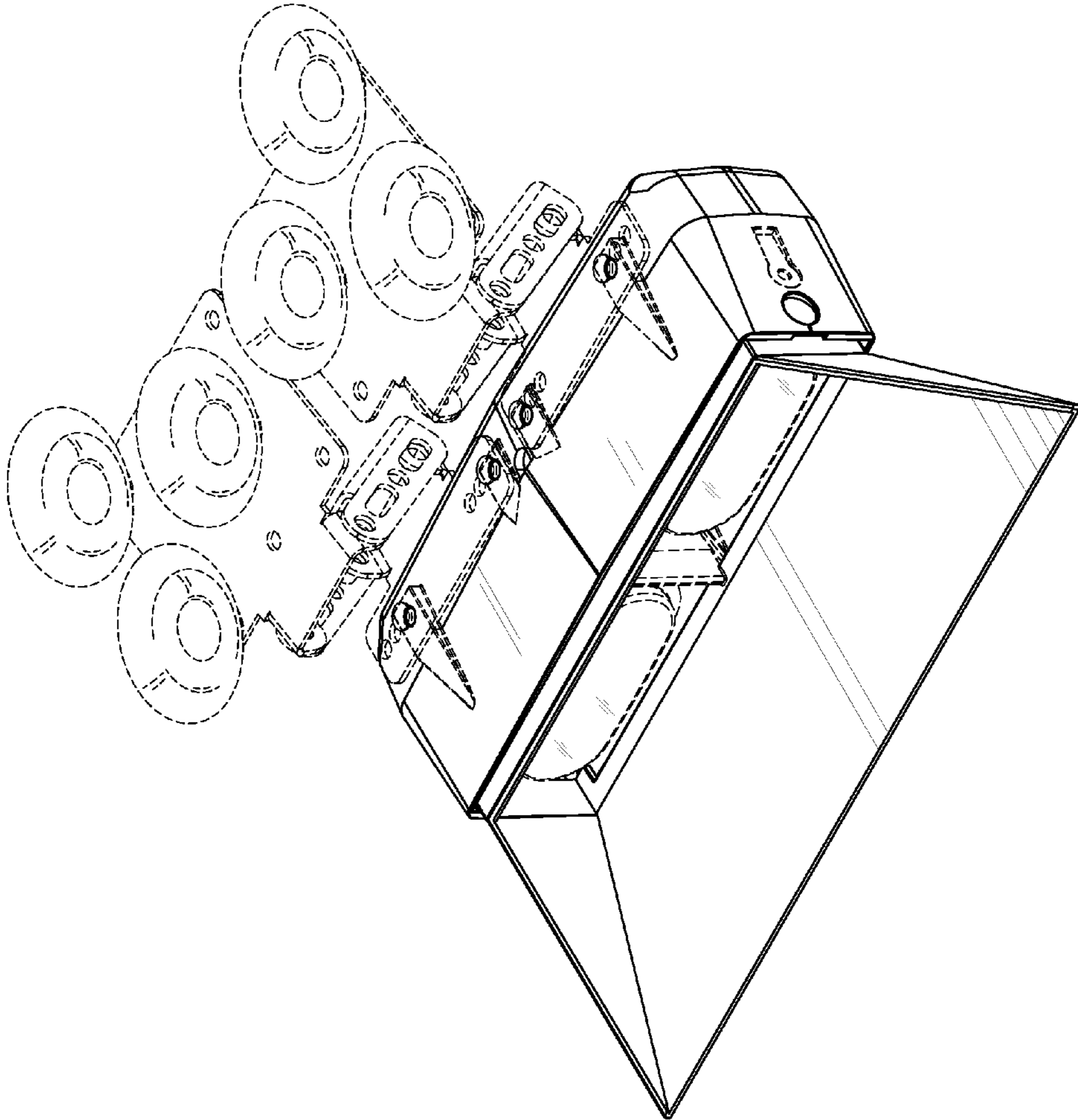


FIG. 1

FIG. 2

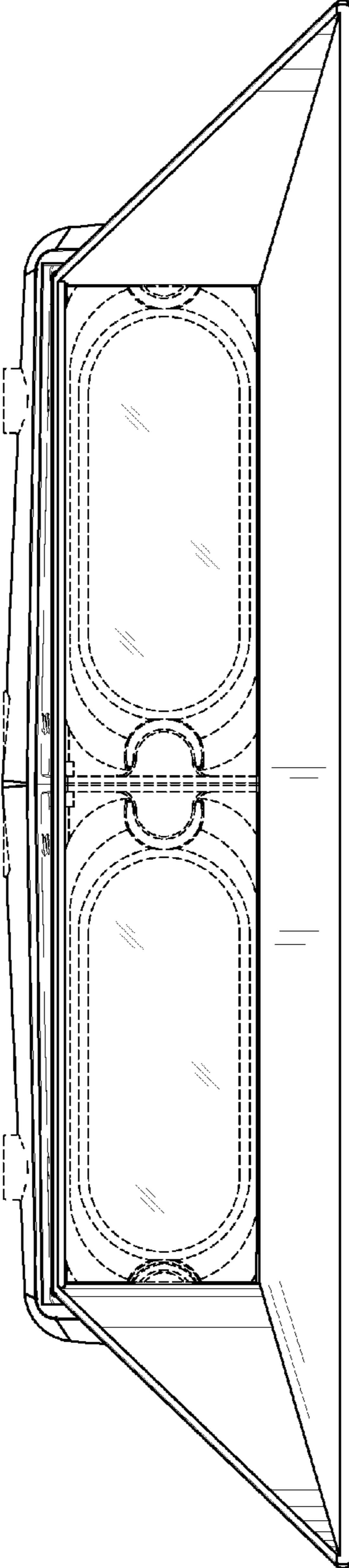


FIG. 3

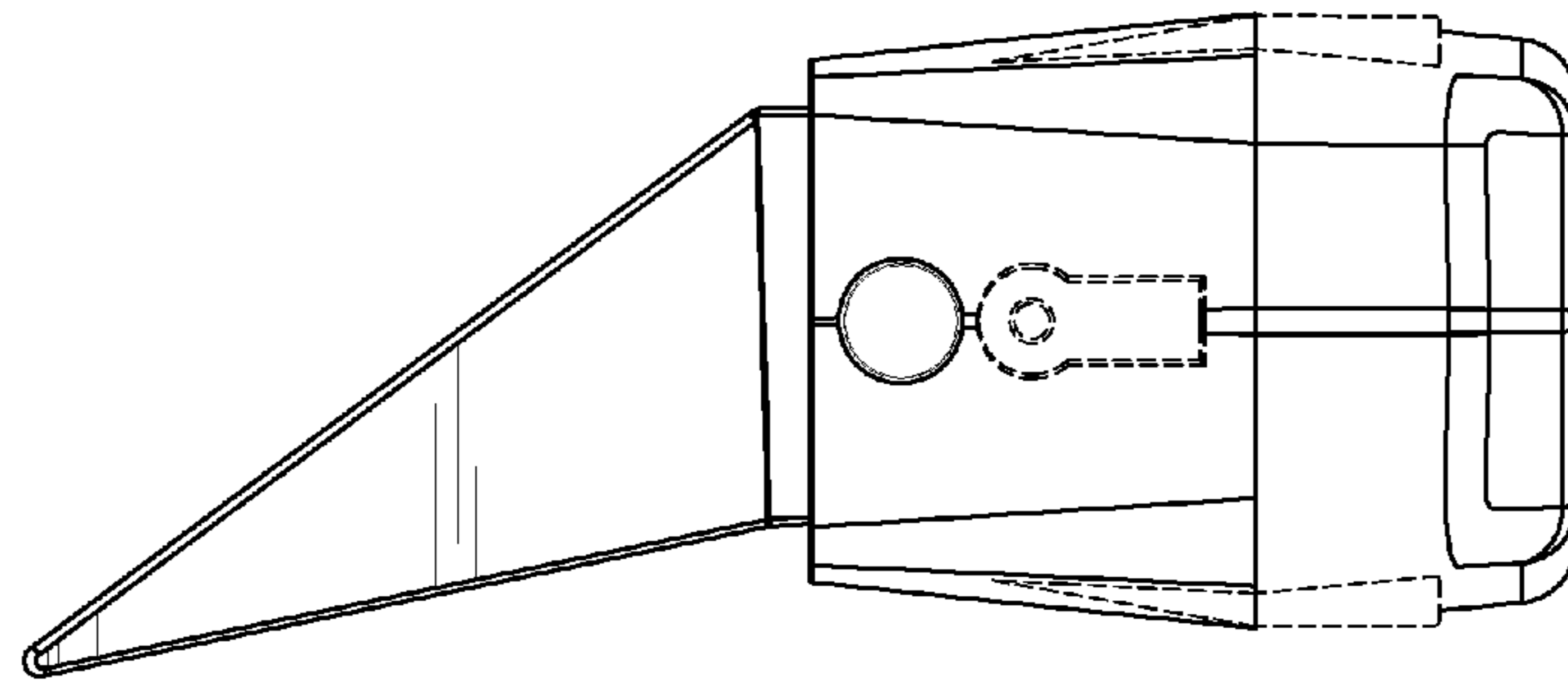
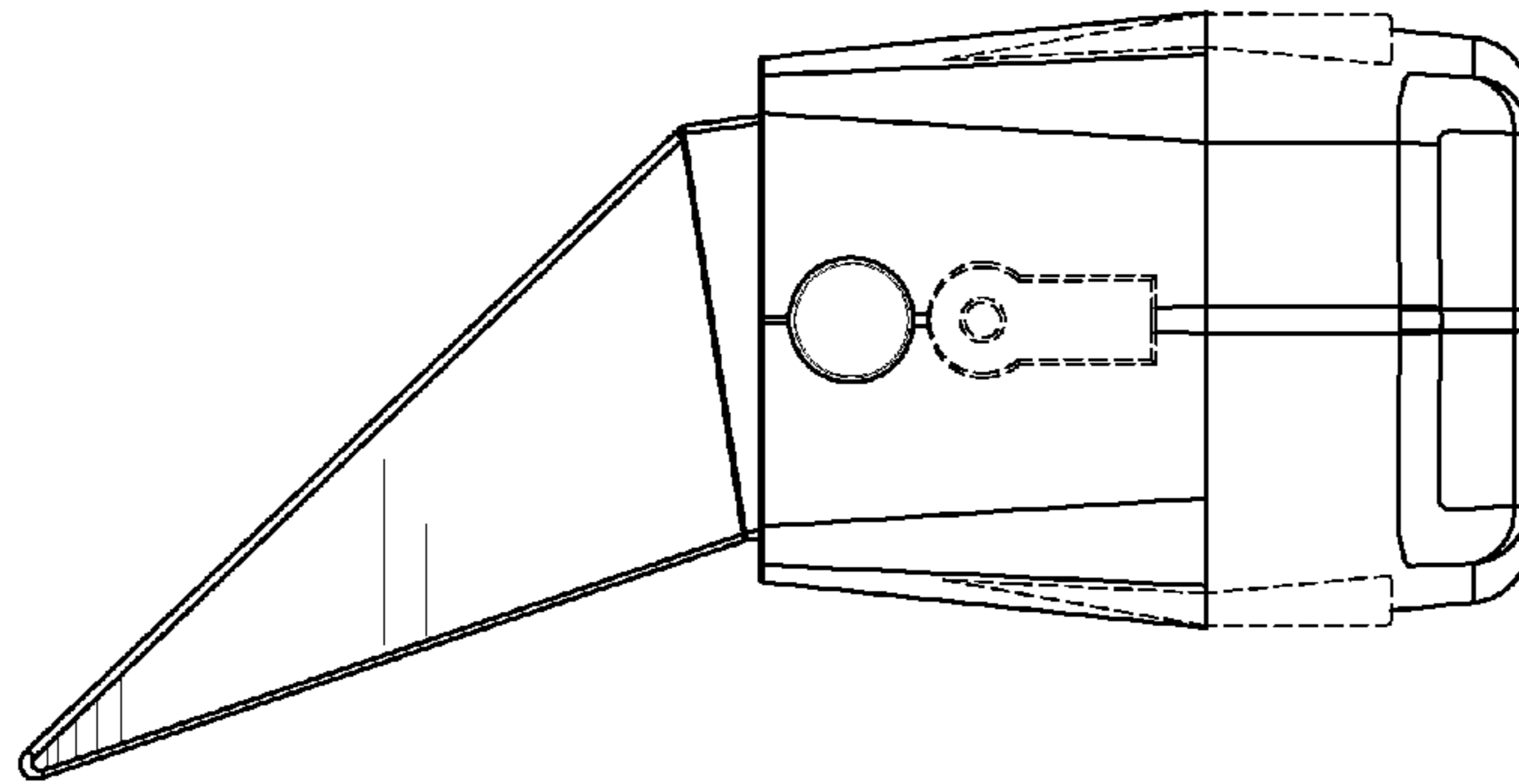


FIG. 4



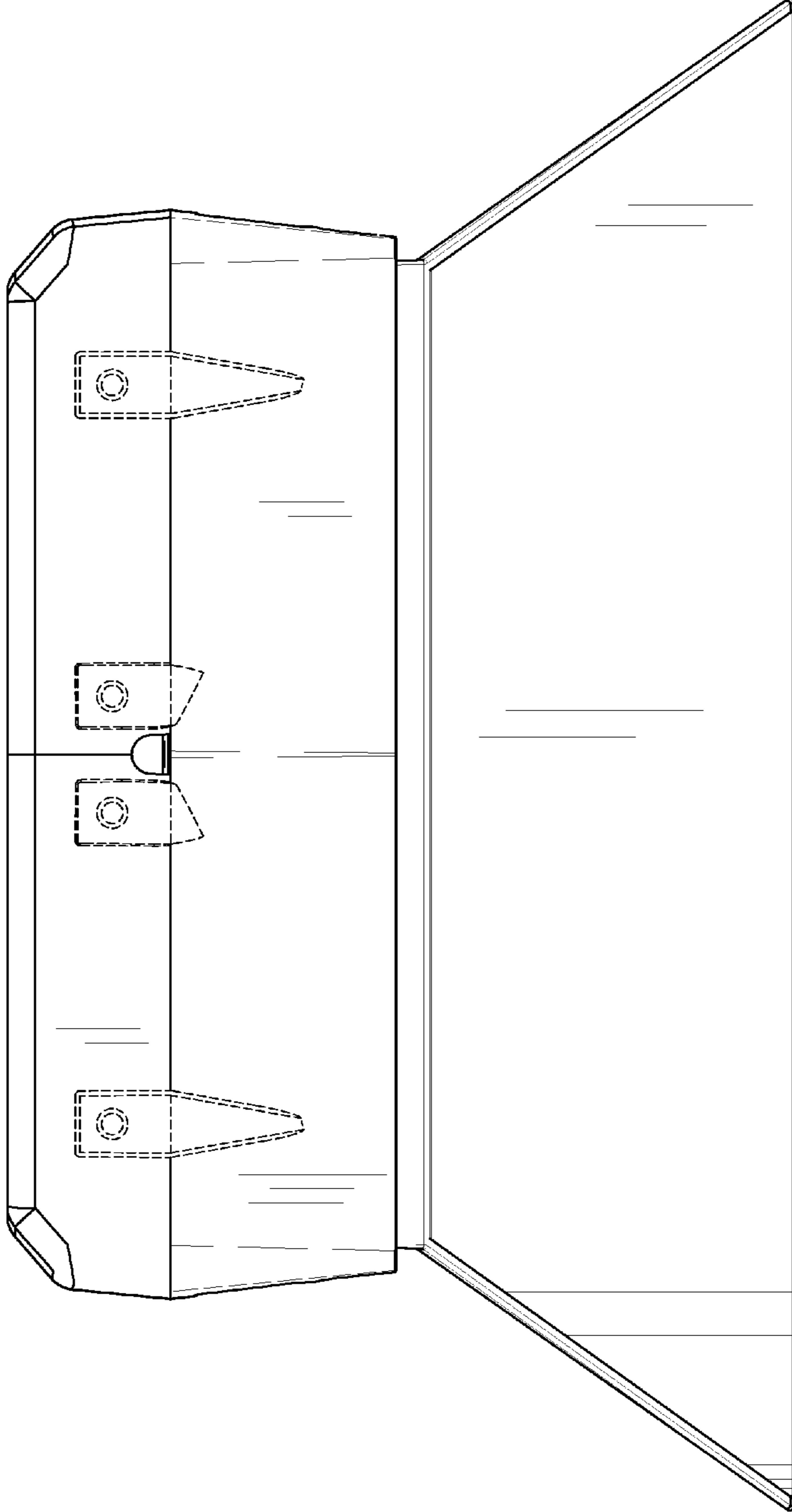


FIG. 5

FIG. 6

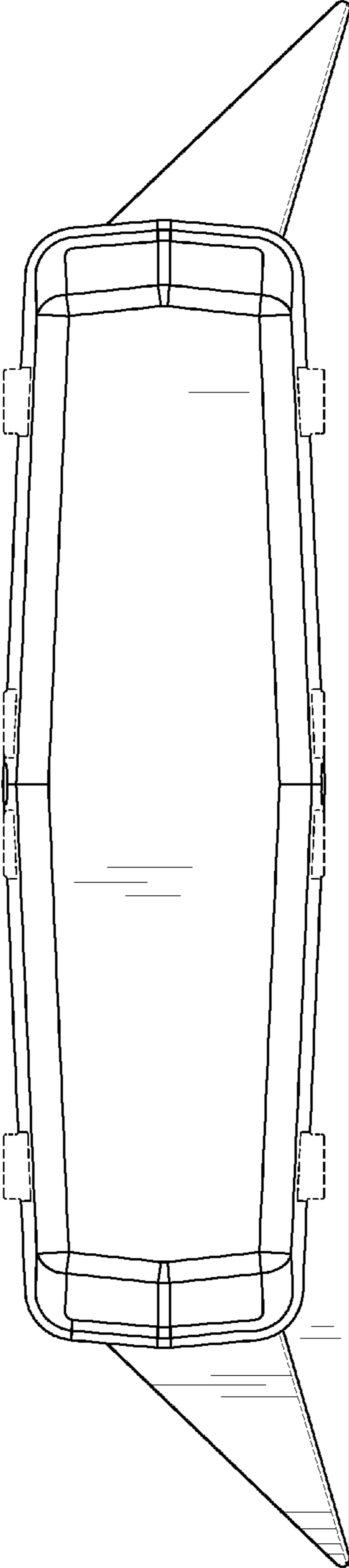


FIG. 7

