

US00D669201S

(12) **United States Design Patent**
Choi et al.

(10) **Patent No.:** **US D669,201 S**

(45) **Date of Patent:** **** Oct. 16, 2012**

(54) **LED LAMP**

(56) **References Cited**

(75) Inventors: **Jaeseung Choi**, Seoul (KR); **Yong Kim**,
Seoul (KR)

(73) Assignee: **LG Electronics Inc.**, Seoul (KR)

(**) Term: **14 Years**

(21) Appl. No.: **29/411,190**

(22) Filed: **Jan. 18, 2012**

(30) **Foreign Application Priority Data**

Aug. 11, 2011 (KR) 30-2011-0033631

(51) **LOC (9) Cl.** **26-04**

(52) **U.S. Cl.** **D26/2**

(58) **Field of Classification Search** D26/1-4;
313/313, 315, 316, 317, 318, 493; 315/52,
315/53, 56, 57, 58

See application file for complete search history.

U.S. PATENT DOCUMENTS

D610,278 S *	2/2010	Lin et al.	D26/2
D613,887 S *	4/2010	Lee et al.	D26/2
D616,574 S *	5/2010	Chen et al.	D26/2
D629,929 S *	12/2010	Chen et al.	D26/2
D632,409 S *	2/2011	Qiu	D26/2

* cited by examiner

Primary Examiner — Marcus Jackson

(74) *Attorney, Agent, or Firm* — Morgan, Lewis & Bockius LLP

(57) **CLAIM**

The ornamental design for a LED lamp, as shown and described.

DESCRIPTION

FIG. 1 is a front, right side, perspective view of a LED lamp showing our new design;
FIG. 2 is a front view thereof;
FIG. 3 is a rear view thereof;
FIG. 4 is a left side view thereof;
FIG. 5 is a right side view thereof;
FIG. 6 is a top view thereof; and,
FIG. 7 is a bottom view thereof.

1 Claim, 7 Drawing Sheets

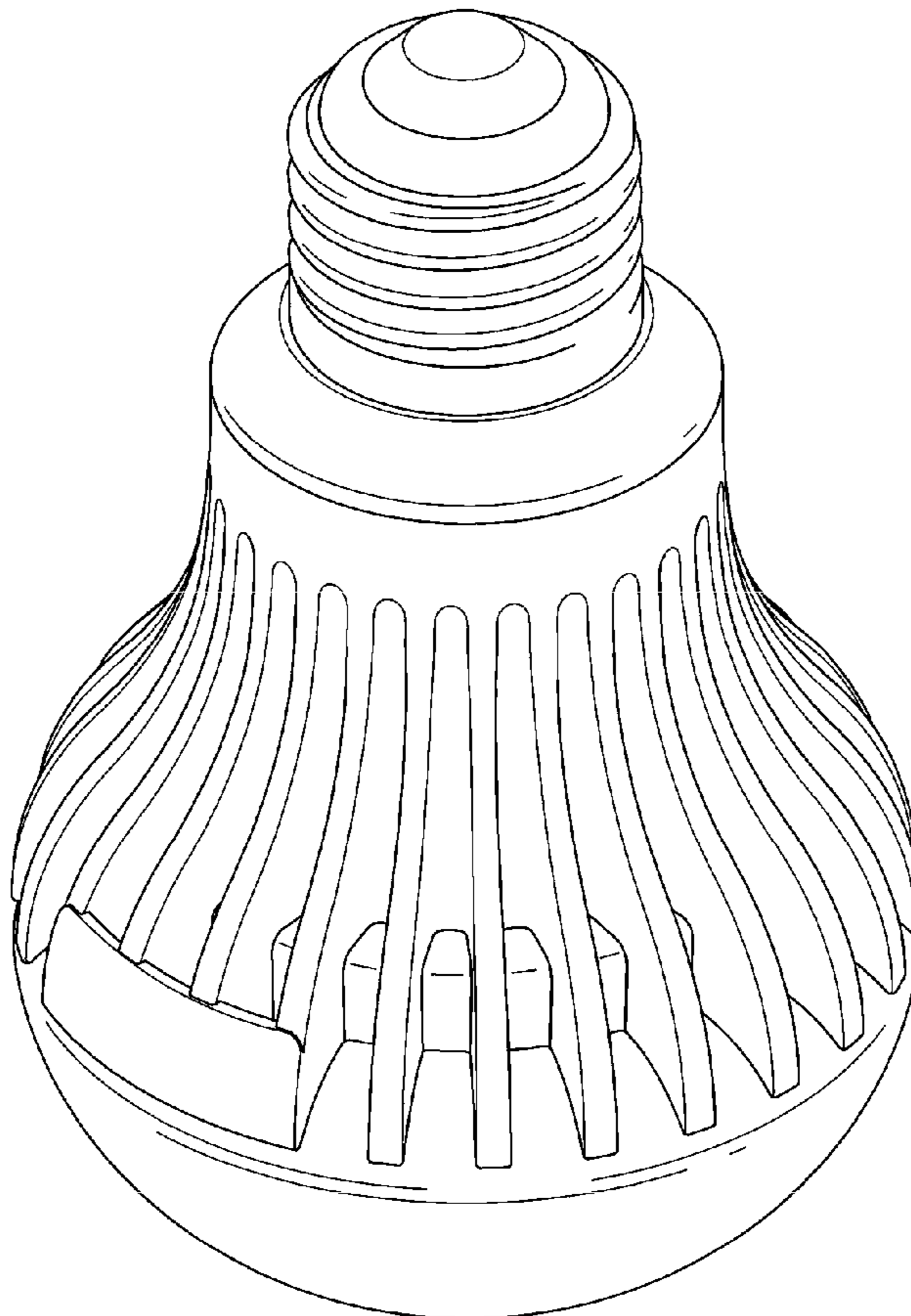


FIG. 1

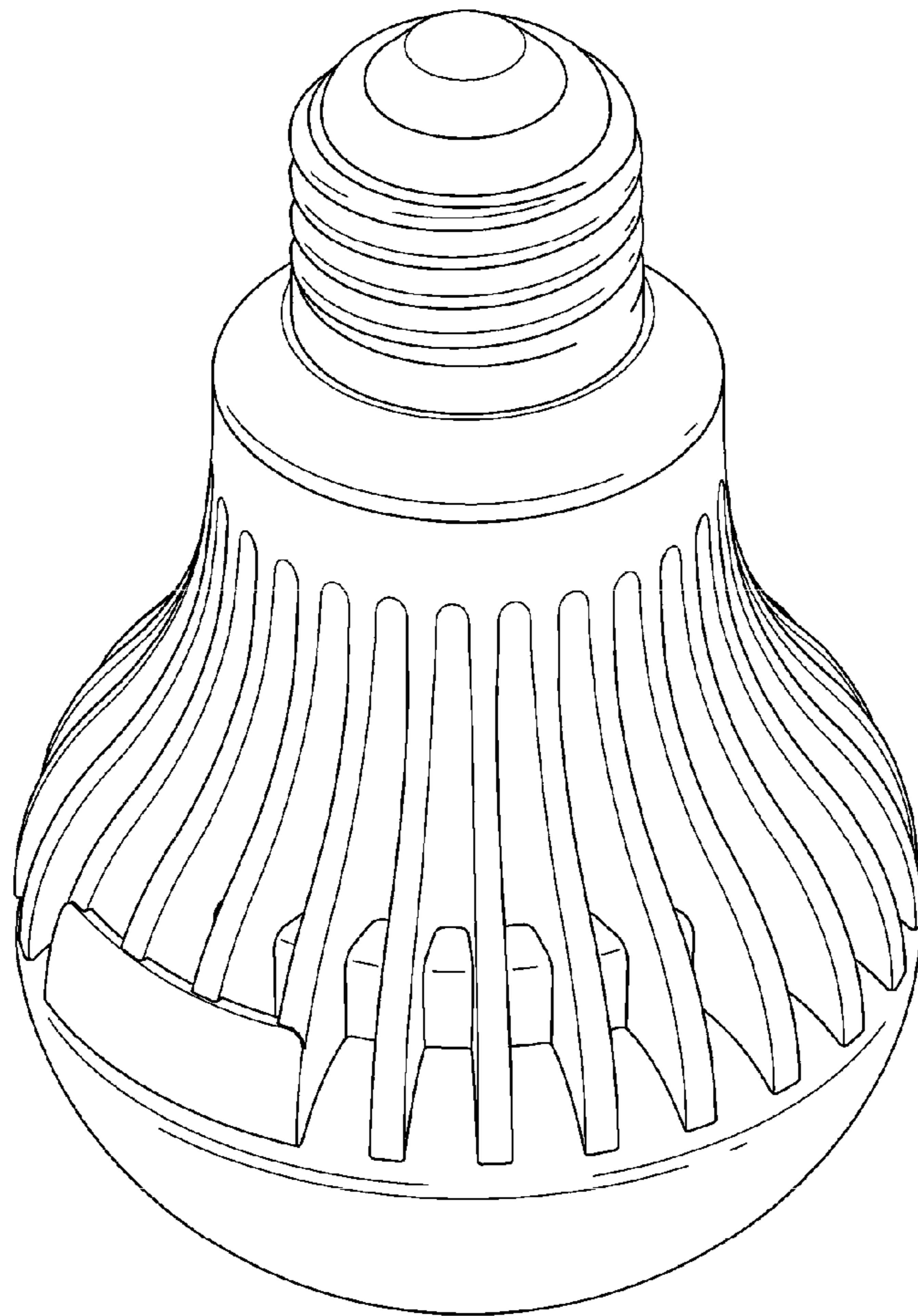


FIG. 2

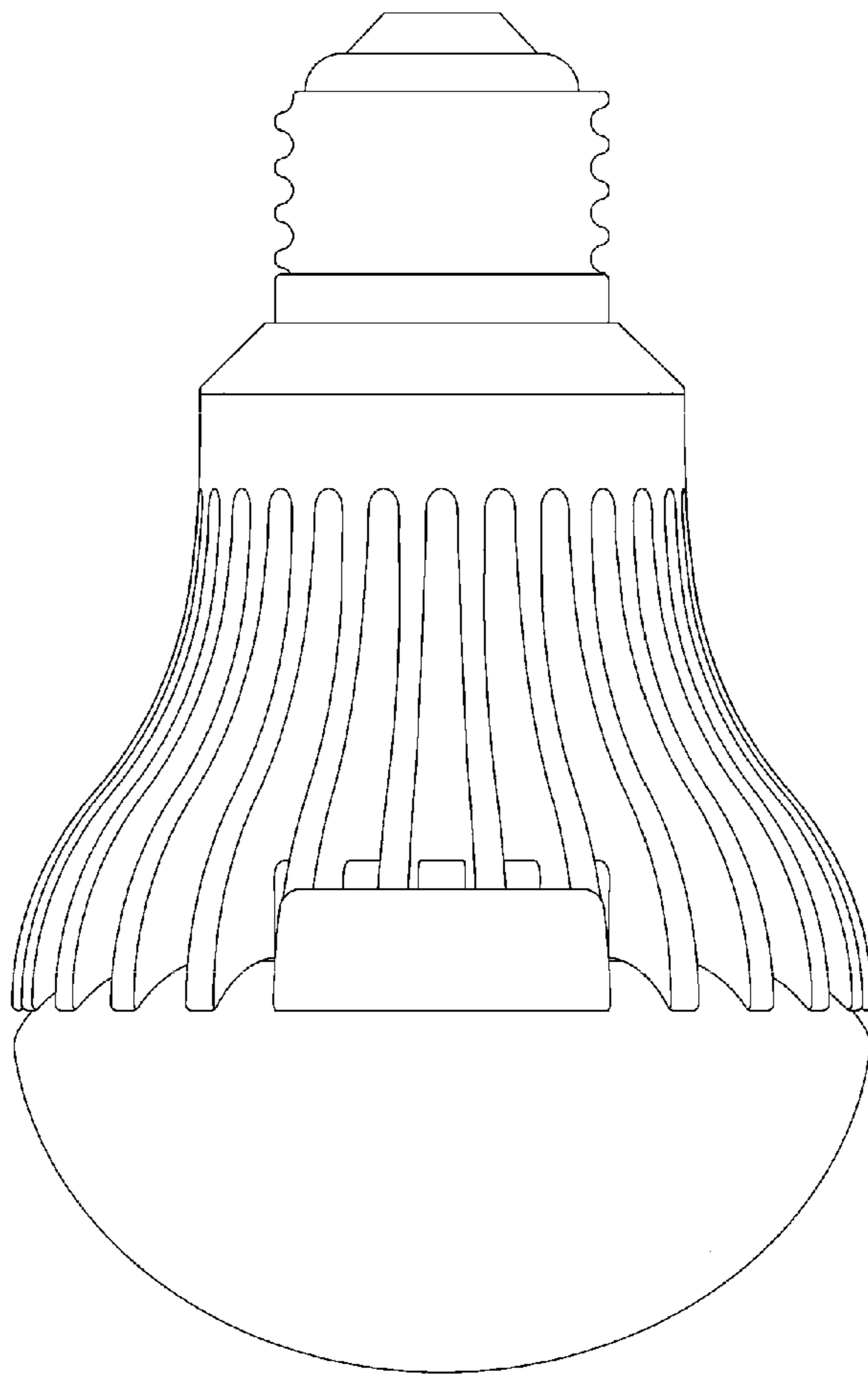


FIG. 3

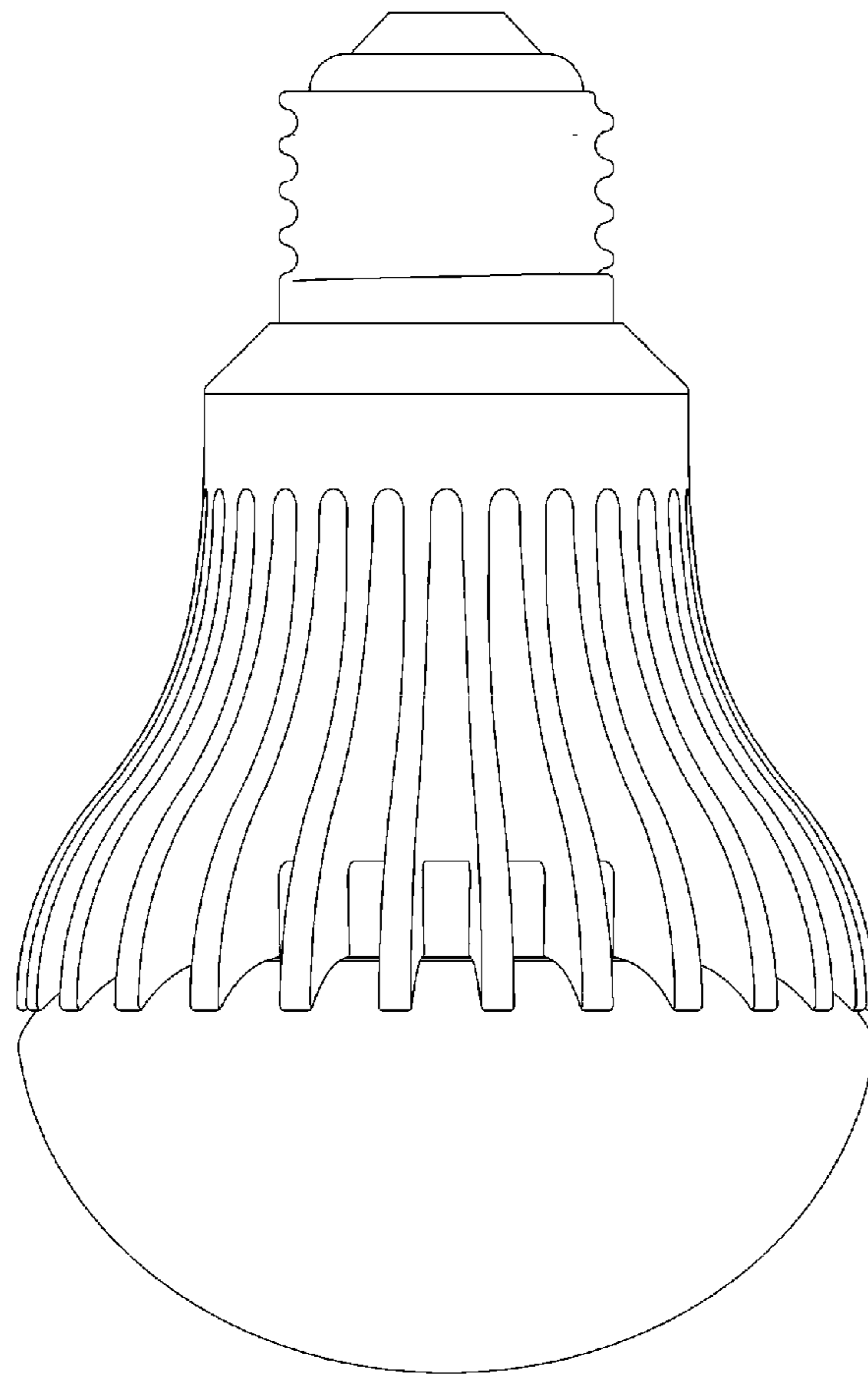


FIG. 4

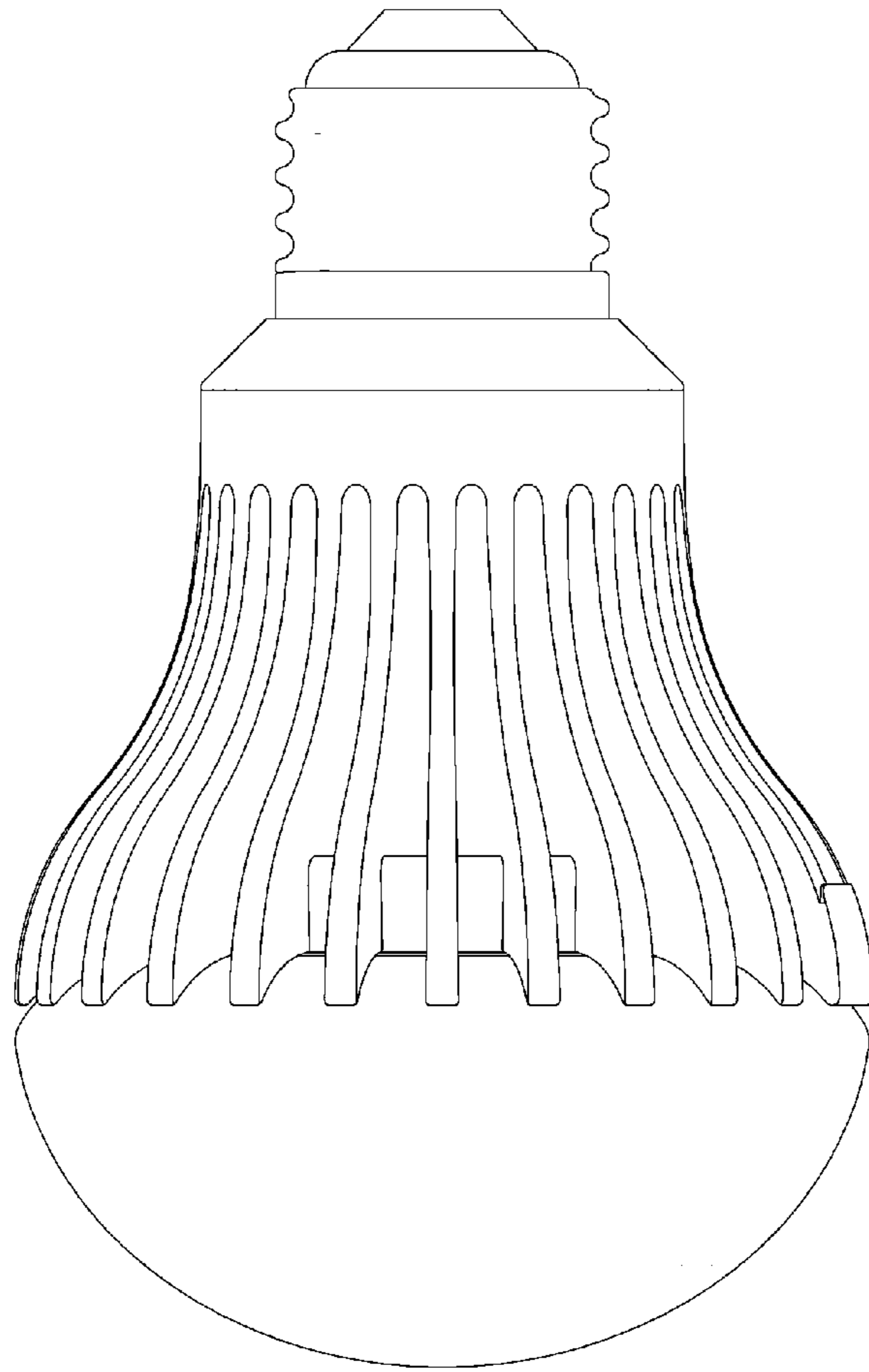


FIG. 5

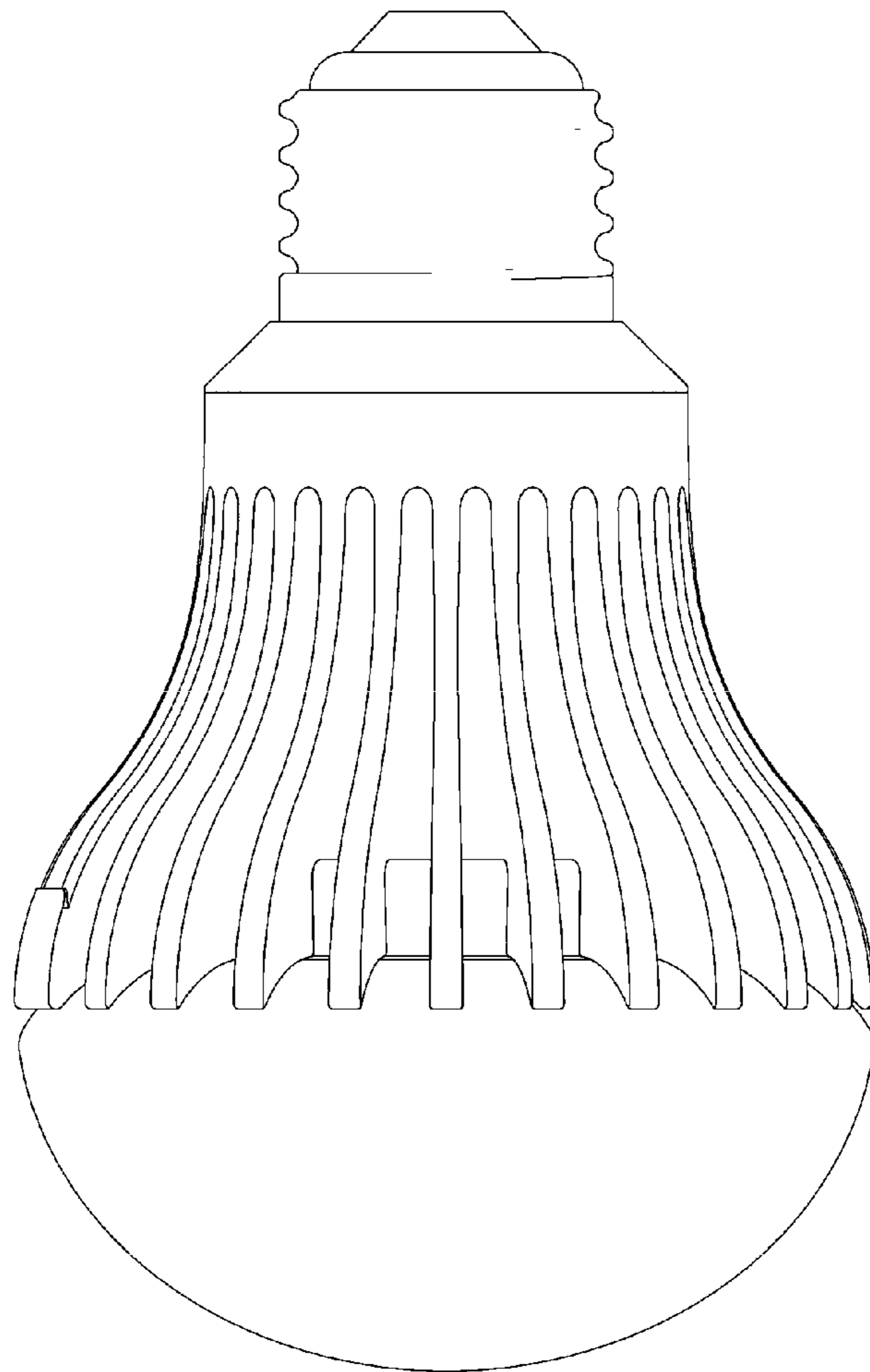


FIG. 6

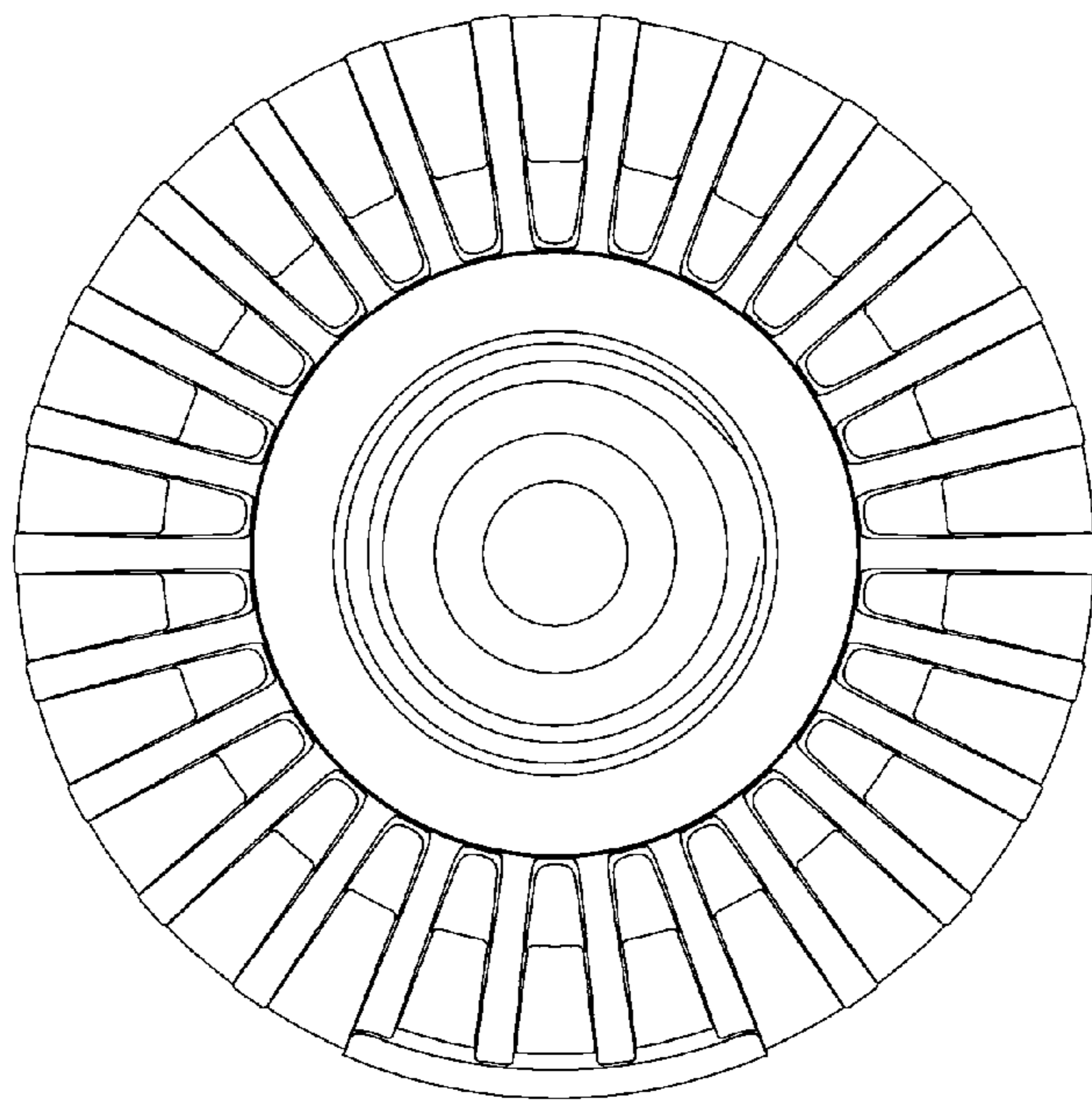


FIG. 7

