



US00D669200S

(12) **United States Design Patent**
Chen et al.

(10) **Patent No.:** **US D669,200 S**

(45) **Date of Patent:** **** Oct. 16, 2012**

(54) **LED LIGHT BULB**

(75) Inventors: **Chien-Yuan Chen**, New Taipei (TW);
Ying-Te Chuang, New Taipei (TW)

(73) Assignee: **Power Digital Delight Co., Ltd.**, New Taipei (TW)

(**) Term: **14 Years**

(21) Appl. No.: **29/409,597**

(22) Filed: **Dec. 26, 2011**

(51) **LOC (9) Cl.** **26-04**

(52) **U.S. Cl.** **D26/2**

(58) **Field of Classification Search** D26/1-4;
313/313, 315, 316, 317, 318, 493; 315/52,
315/53, 56, 57, 58

See application file for complete search history.

(56) **References Cited**

U.S. PATENT DOCUMENTS

D542,743 S *	5/2007	Jung et al.	D13/180
D543,288 S *	5/2007	Bembridge	D26/2
D544,109 S *	6/2007	Tsuruha et al.	D26/2
D546,980 S *	7/2007	Lo	D26/2
D549,854 S *	8/2007	Takahashi	D26/2
D566,300 S *	4/2008	Lo	D26/2
D582,578 S *	12/2008	Tsai et al.	D26/2

D593,223 S *	5/2009	Komar	D26/2
D646,808 S *	10/2011	Shi	D26/2
D647,646 S *	10/2011	Tsung	D26/2

* cited by examiner

Primary Examiner — Marcus Jackson

(74) *Attorney, Agent, or Firm* — Leong C. Lei

(57) **CLAIM**

The ornamental design for an LED light bulb, as shown and described.

DESCRIPTION

FIG. 1 is a perspective view of an LED light bulb showing my new design;

FIG. 2 is a front elevational view thereof;

FIG. 3 is a rear elevational view thereof;

FIG. 4 is a left side perspective view thereof;

FIG. 5 is a right side perspective view thereof;

FIG. 6 is a top plan view thereof;

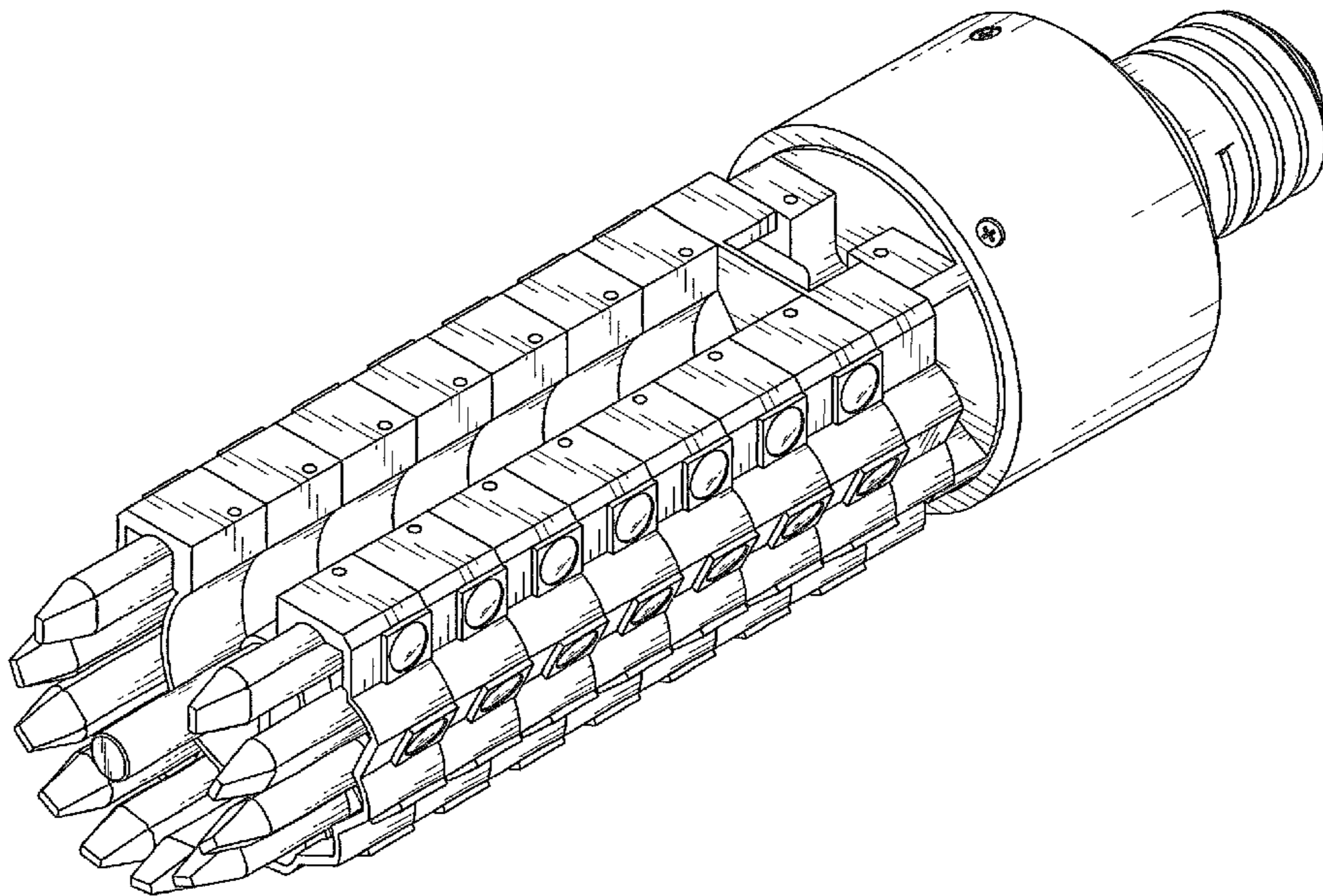
FIG. 7 is a bottom plan view thereof;

FIG. 8 is an another perspective view thereof; and,

FIG. 9 is another perspective view thereof, with a decorative plate engaged.

The dotted line showing of the decorative plate is for illustrative purposes only and forms no part of the claimed design.

1 Claim, 8 Drawing Sheets



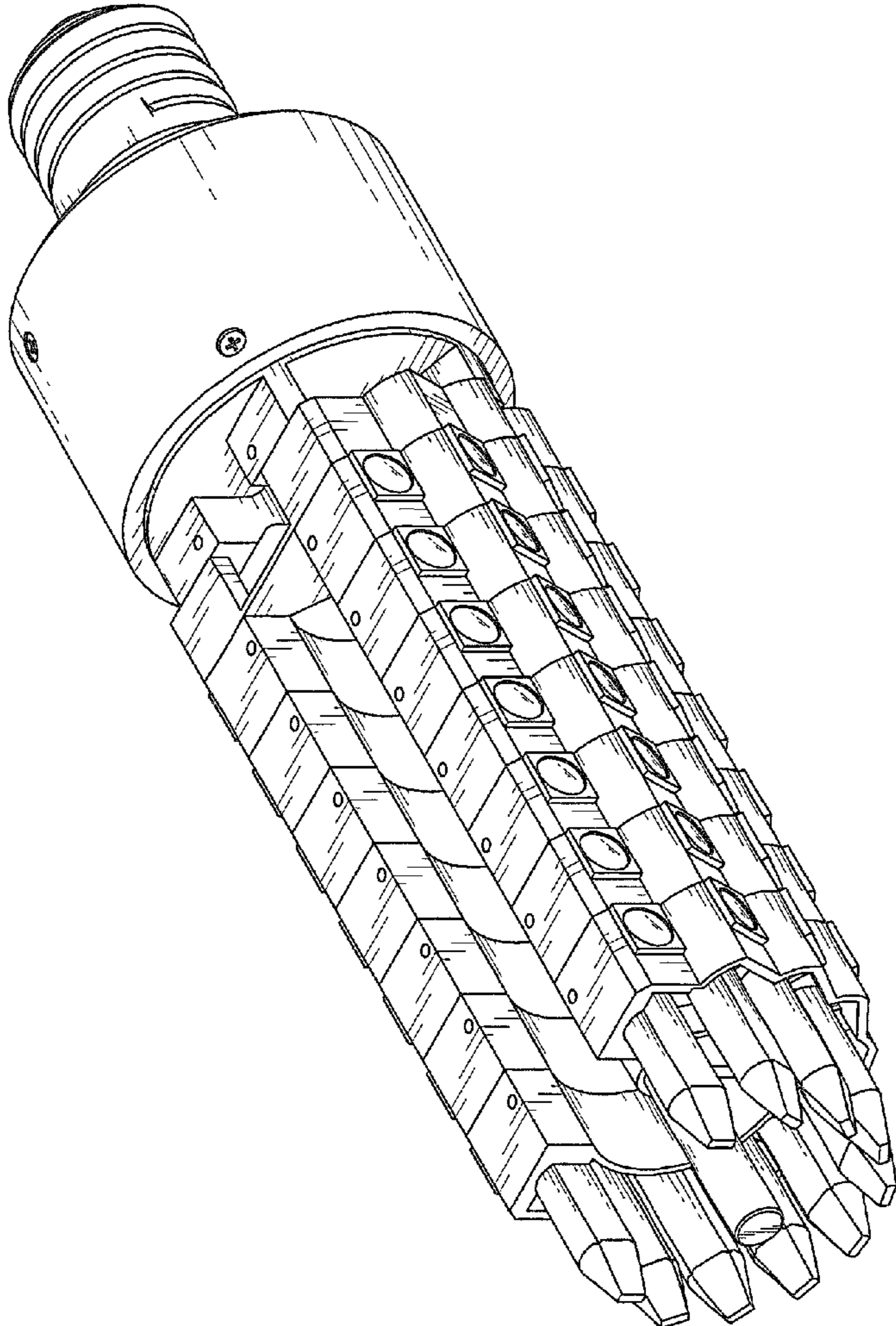


FIG. 1

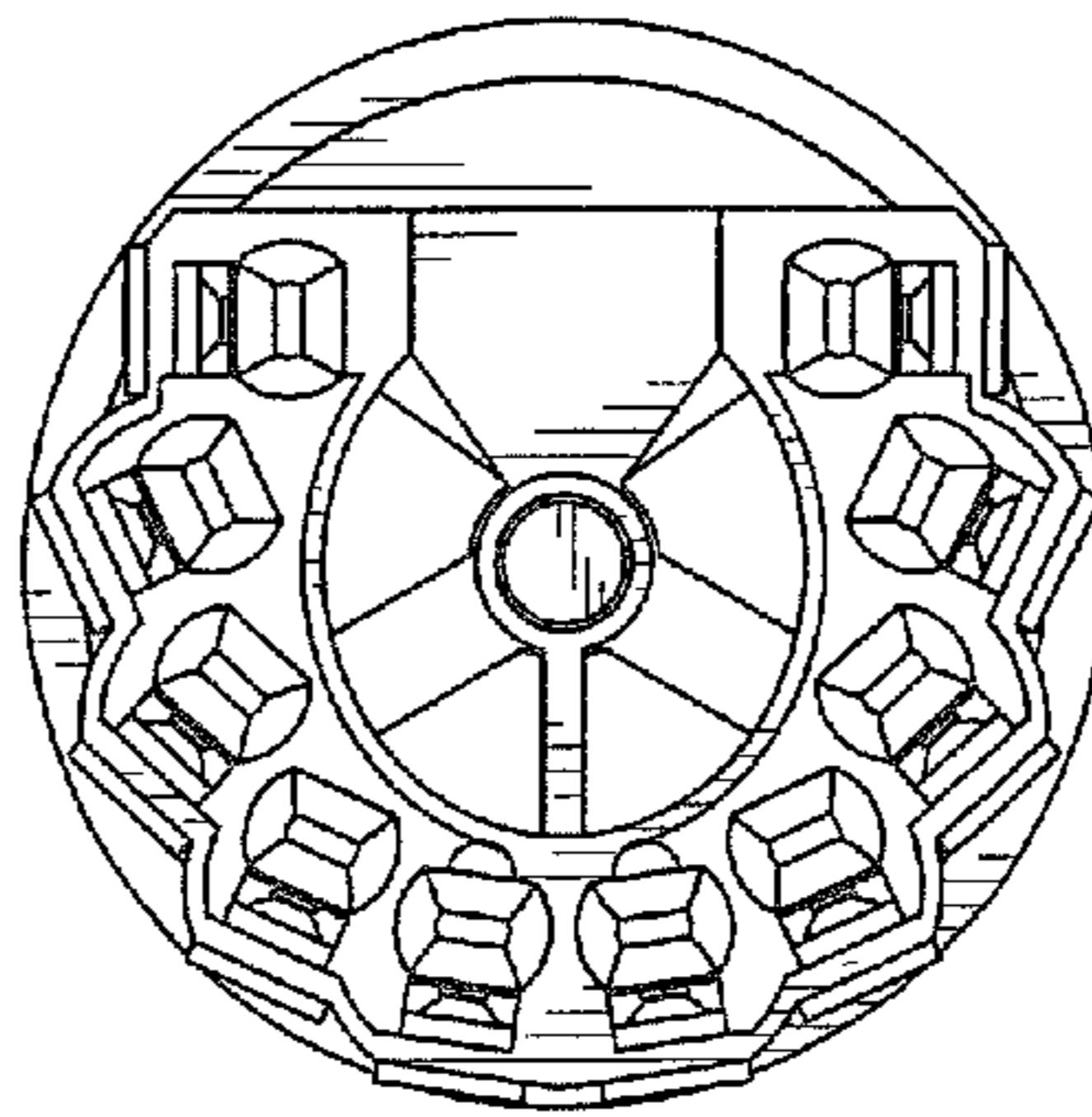


FIG. 2

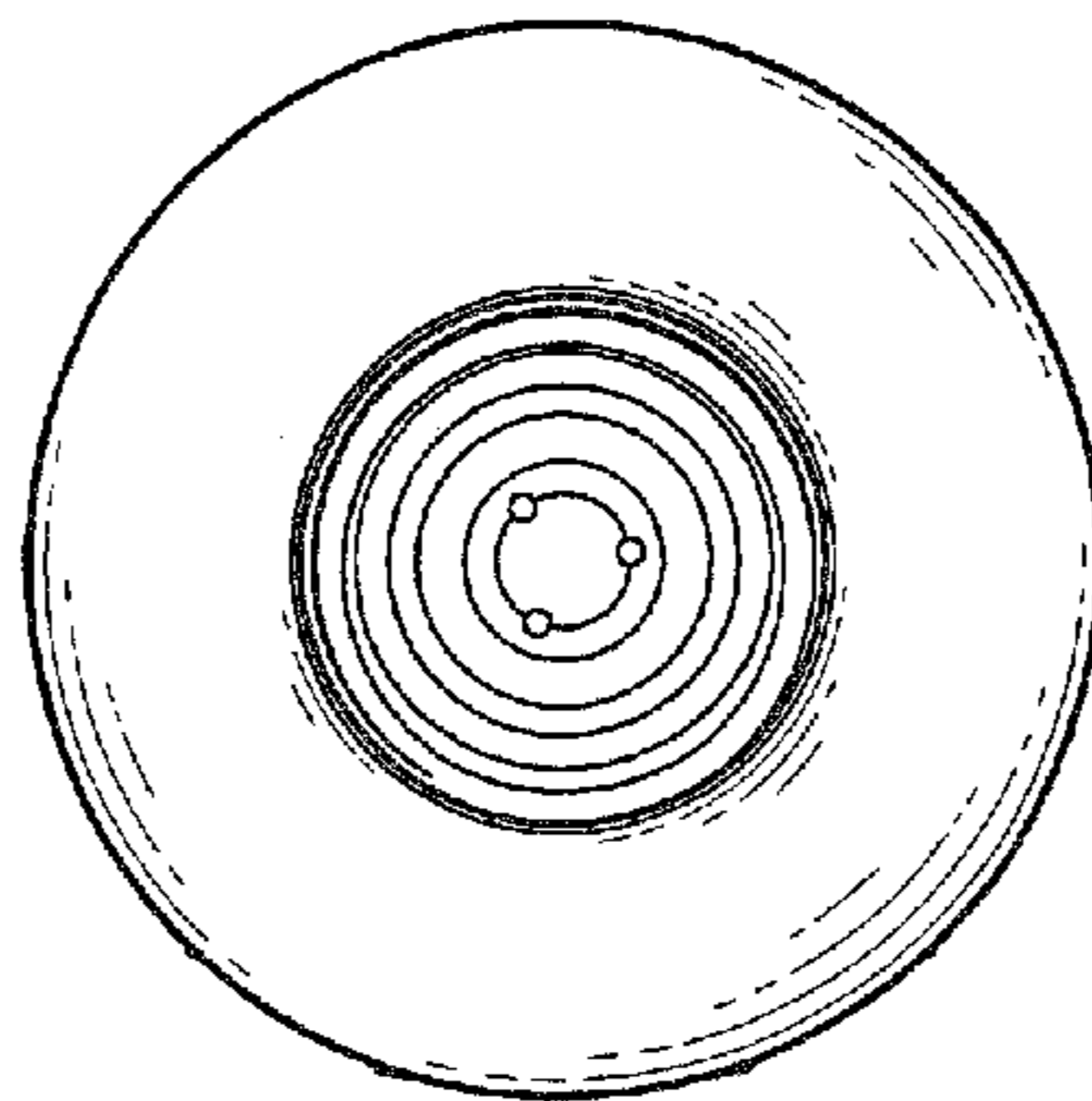


FIG. 3

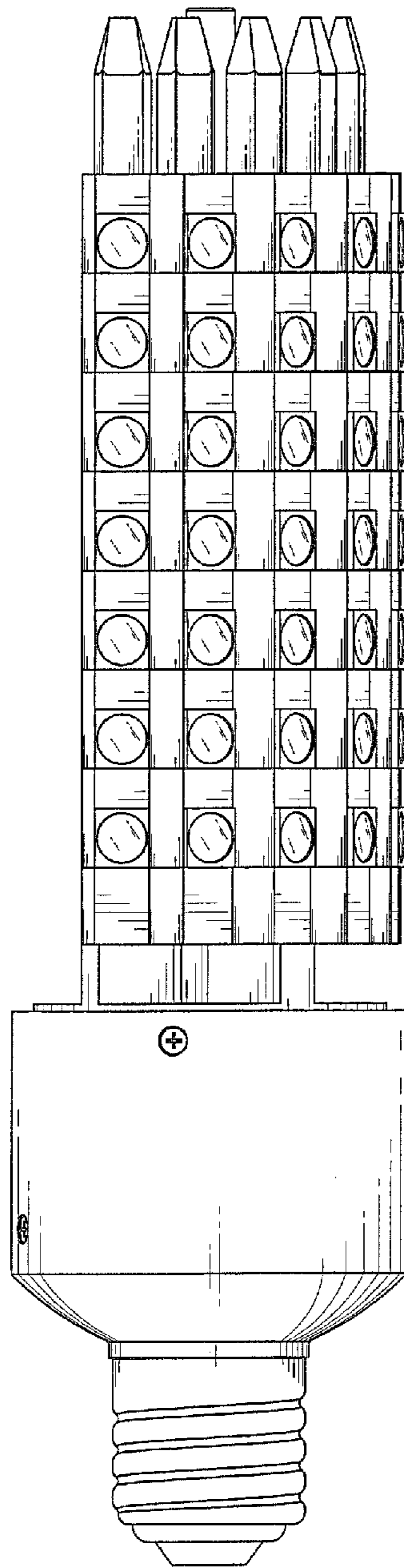


FIG. 4

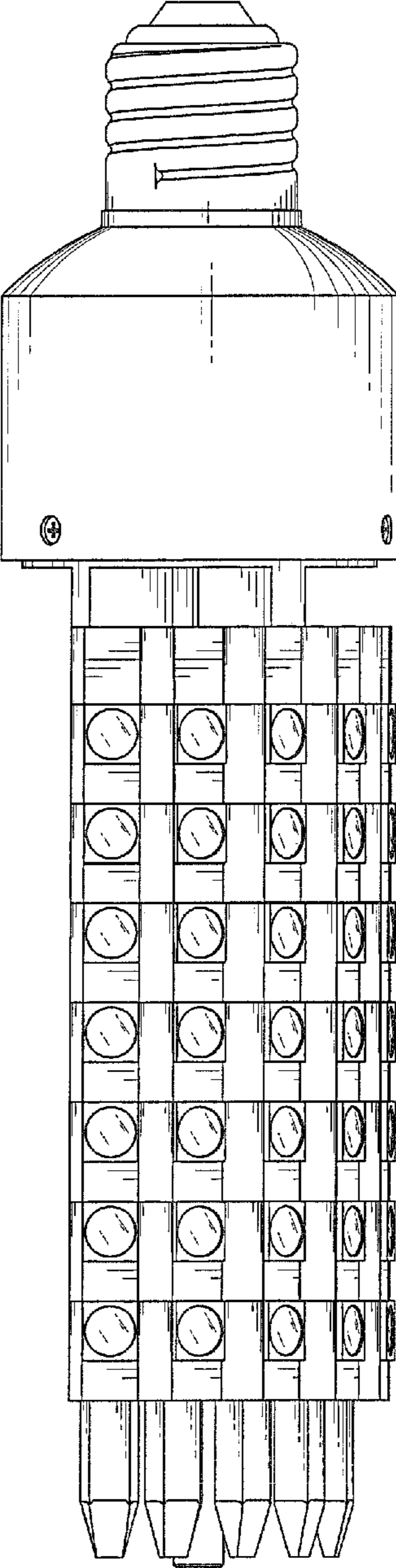


FIG. 5

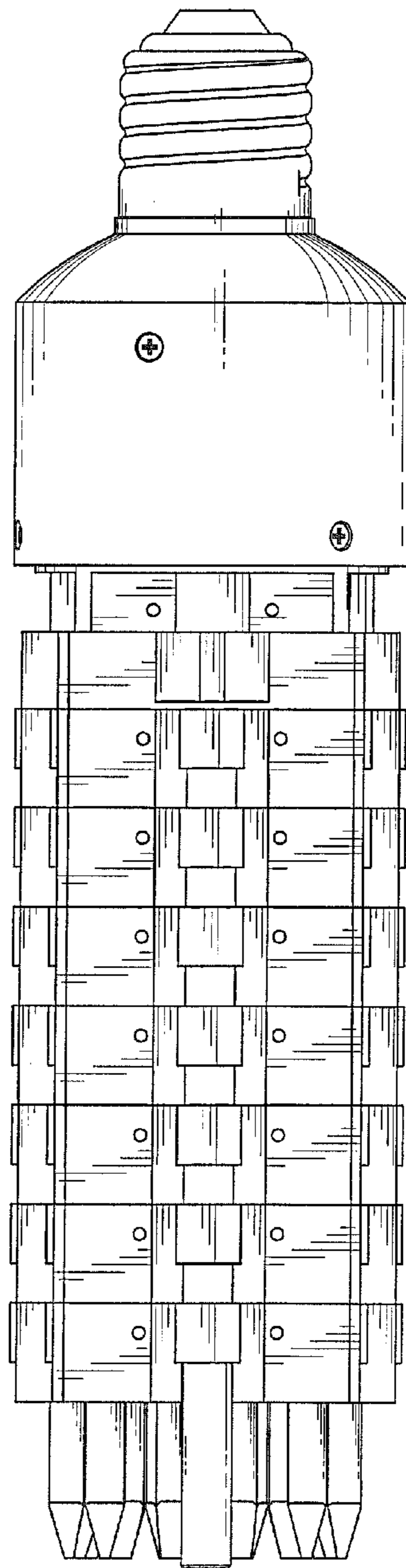


FIG. 6

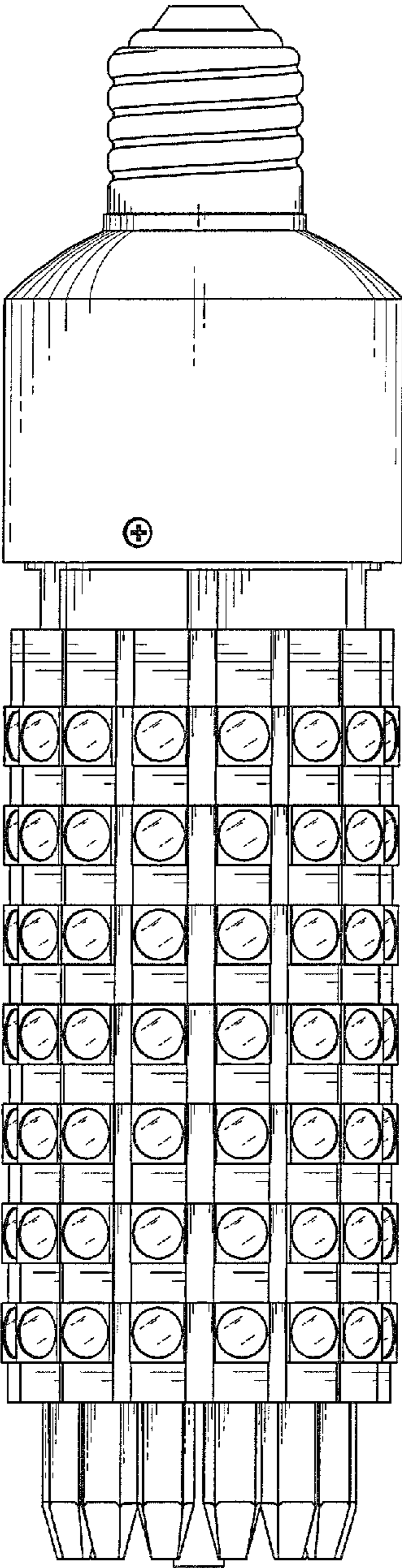


FIG. 7

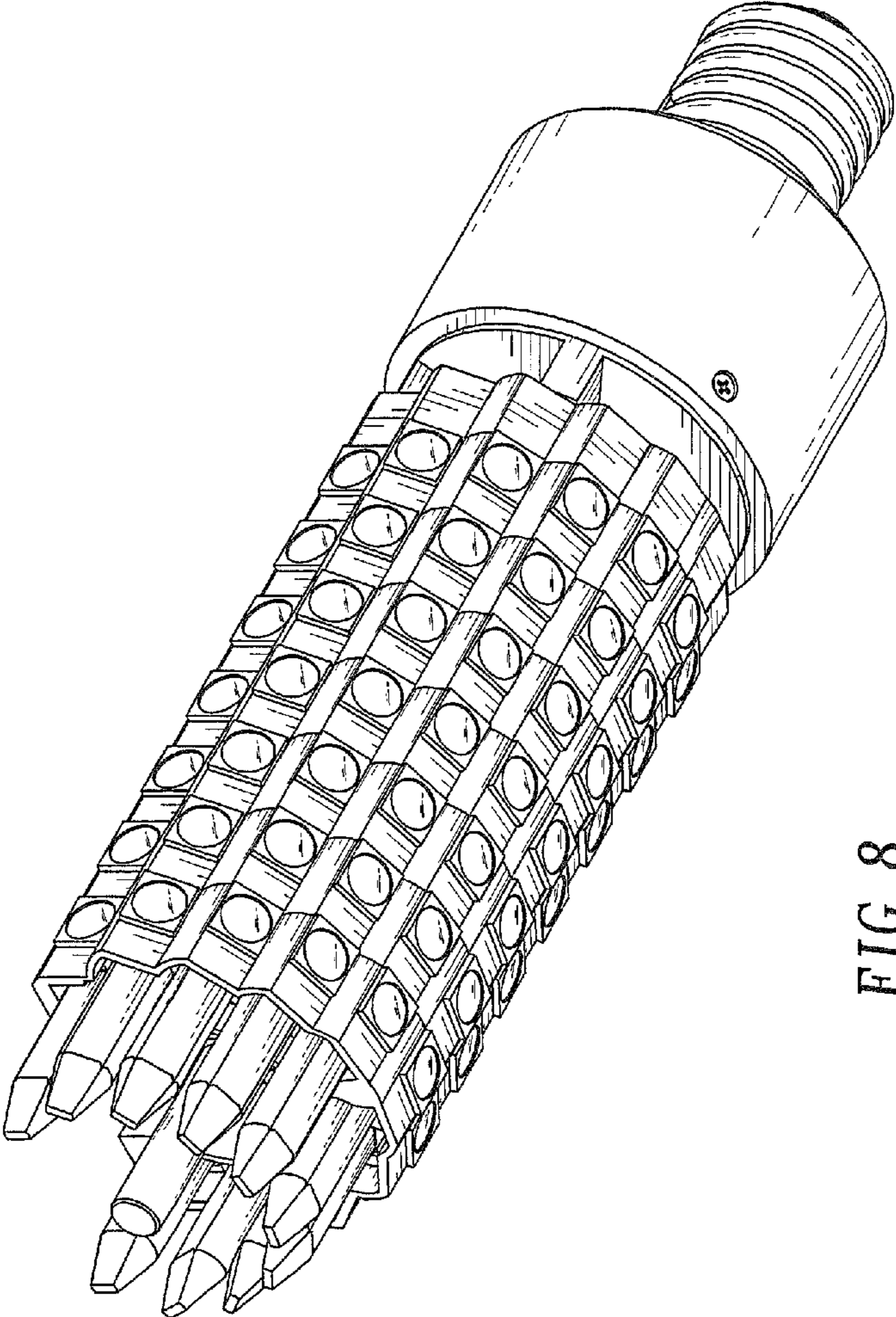


FIG. 8

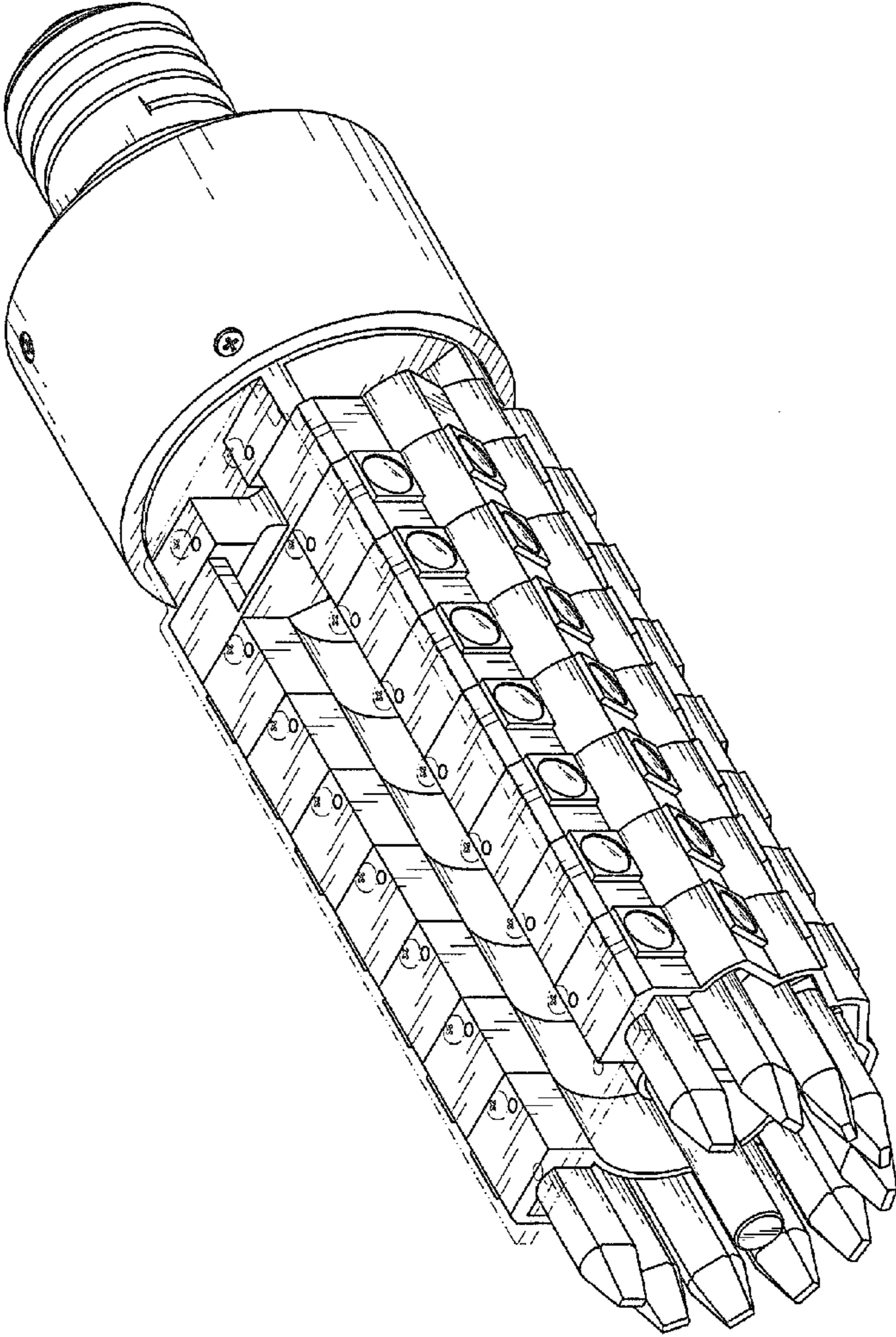


FIG. 9