



US00D669199S

(12) **United States Design Patent**
Chuang

(10) **Patent No.:** **US D669,199 S**

(45) **Date of Patent:** **** Oct. 16, 2012**

(54) **LED LIGHT BULB**

(75) Inventor: **Jui-Chien Chuang**, New Taipei (TW)

(73) Assignee: **Fleda Technology Corporation**, New Taipei (TW)

(**) Term: **14 Years**

(21) Appl. No.: **29/407,258**

(22) Filed: **Nov. 25, 2011**

(51) **LOC (9) Cl.** **26-04**

(52) **U.S. Cl.** **D26/2**

(58) **Field of Classification Search** D26/1-4;
313/313, 315, 316, 317, 318, 493; 315/52,
315/53, 56, 57, 58

See application file for complete search history.

(56) **References Cited**

U.S. PATENT DOCUMENTS

D553,267	S	*	10/2007	Yuen	D26/2
D590,523	S	*	4/2009	Takahashi	D26/2
D600,368	S	*	9/2009	Bertram et al.	D26/2
D605,786	S	*	12/2009	Lim	D26/2

D623,774	S	*	9/2010	Tsai	D26/2
D657,479	S	*	4/2012	Jeon et al.	D26/2
D658,312	S	*	4/2012	Togawa	D26/2

* cited by examiner

Primary Examiner — Marcus Jackson

(74) *Attorney, Agent, or Firm* — Muncy, Geissler, Olds & Lowe, PLLC

(57) **CLAIM**

The ornamental design for a LED light bulb, as shown and described.

DESCRIPTION

FIG. 1 is a top perspective view of a LED light bulb showing my new design;

FIG. 2 is a front elevational view thereof;

FIG. 3 is a rear elevational view thereof;

FIG. 4 is a left side view thereof;

FIG. 5 is a right side view thereof;

FIG. 6 is a top plan view thereof;

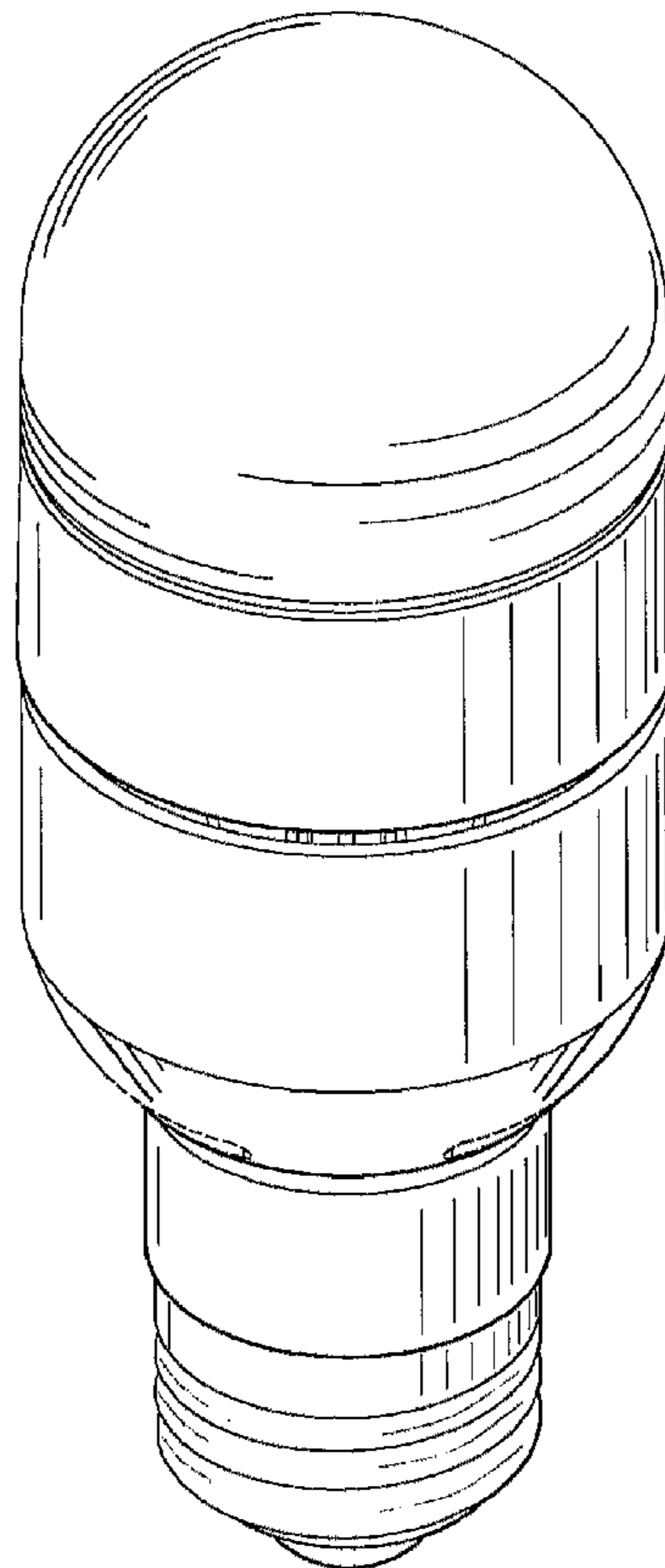
FIG. 7 is a bottom plan view thereof;

FIG. 8 is a cross-section view taken along line 8-8 in FIG. 2; and,

FIG. 9 is a bottom perspective view thereof.

The broken lines illustrate portions of the LED light bulb that form no part of the claimed design.

1 Claim, 9 Drawing Sheets



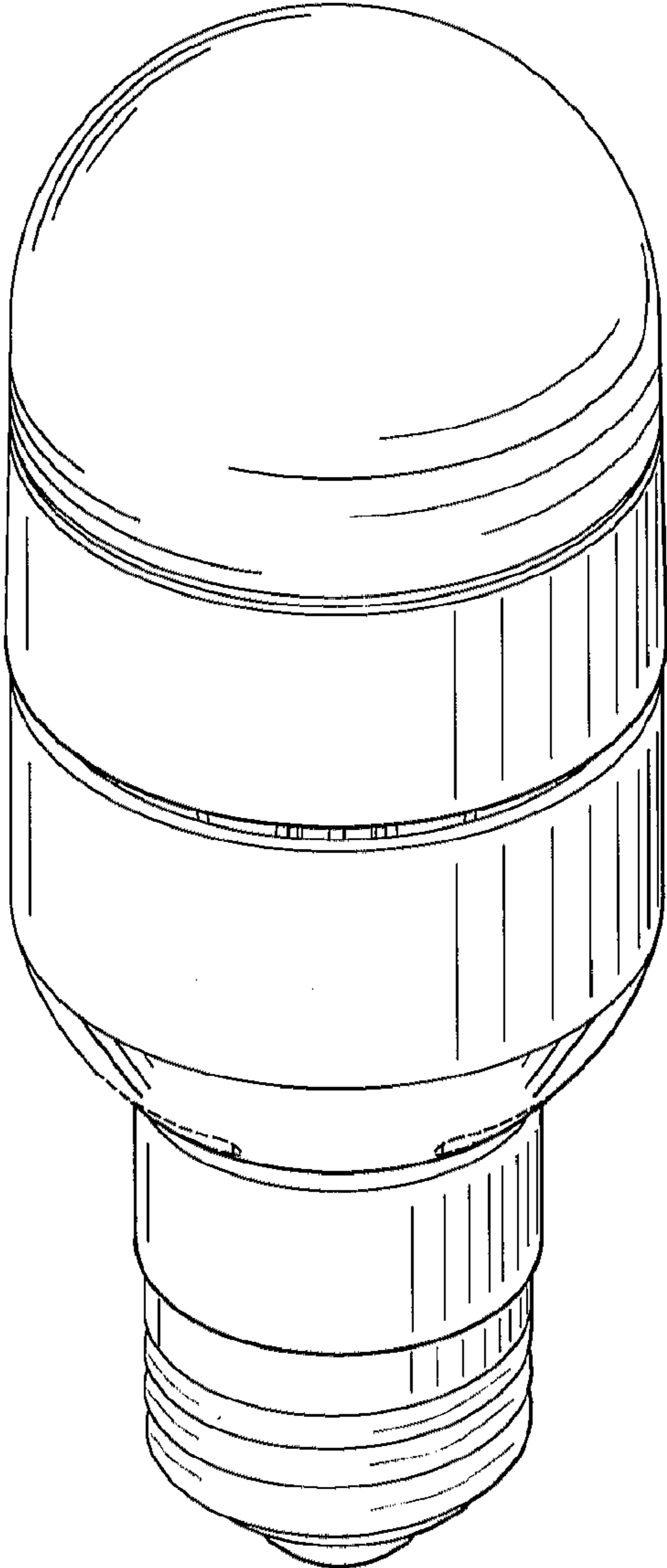


FIG.1

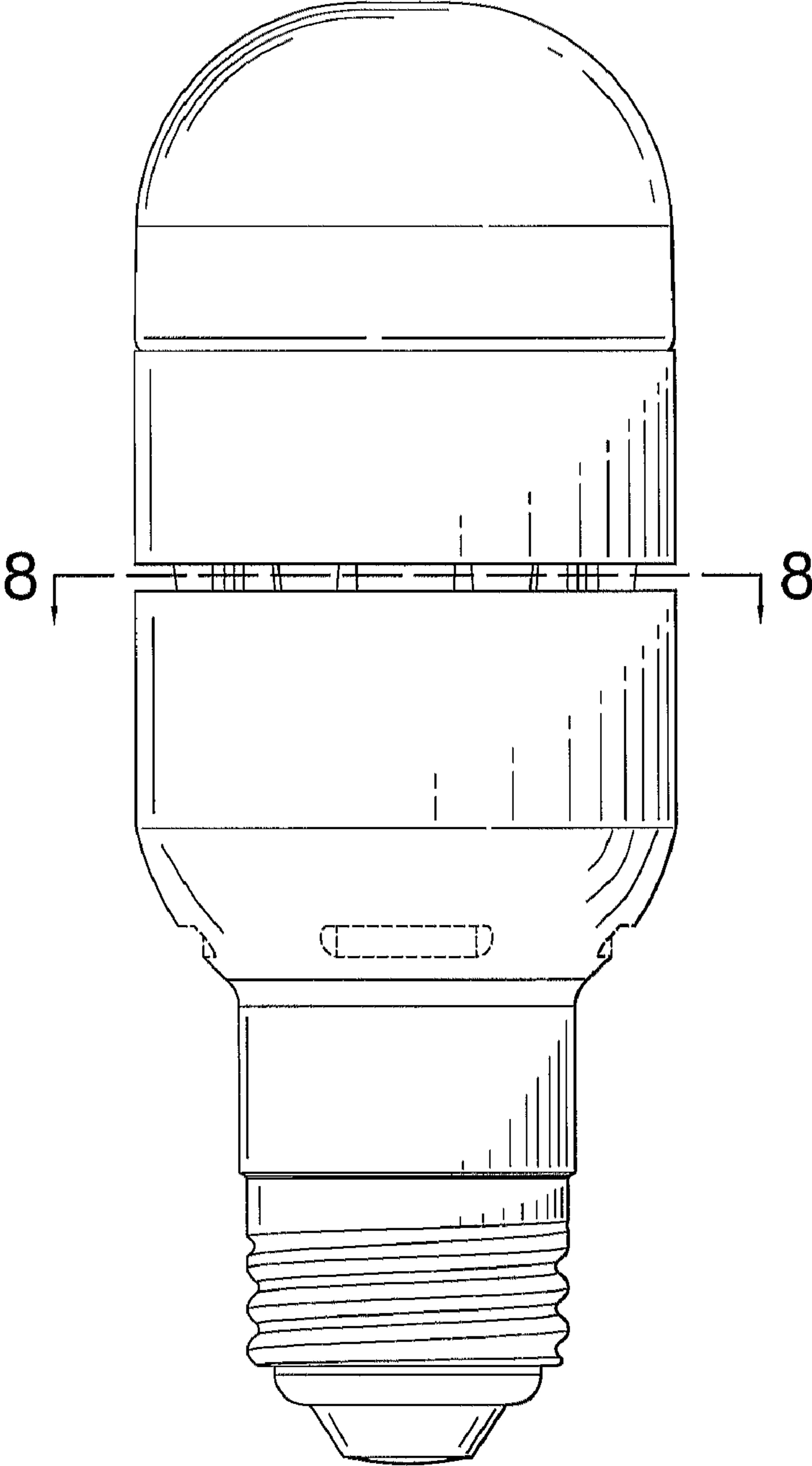


FIG.2

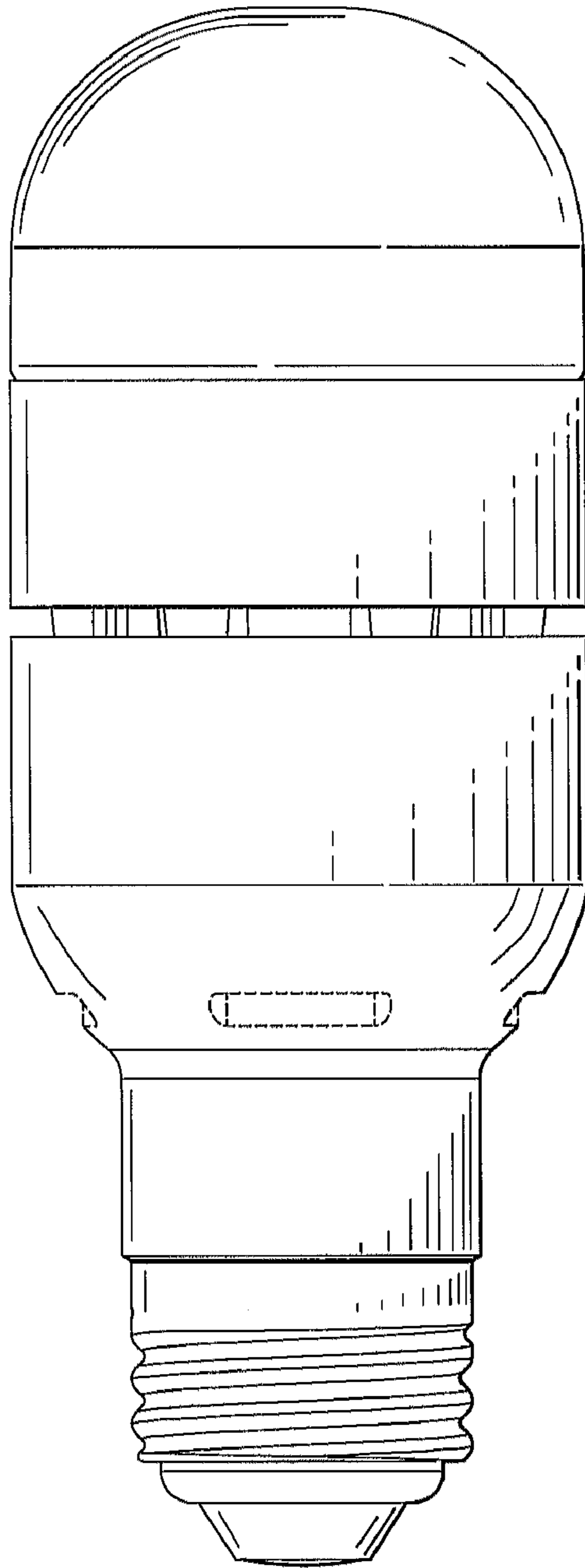


FIG. 3

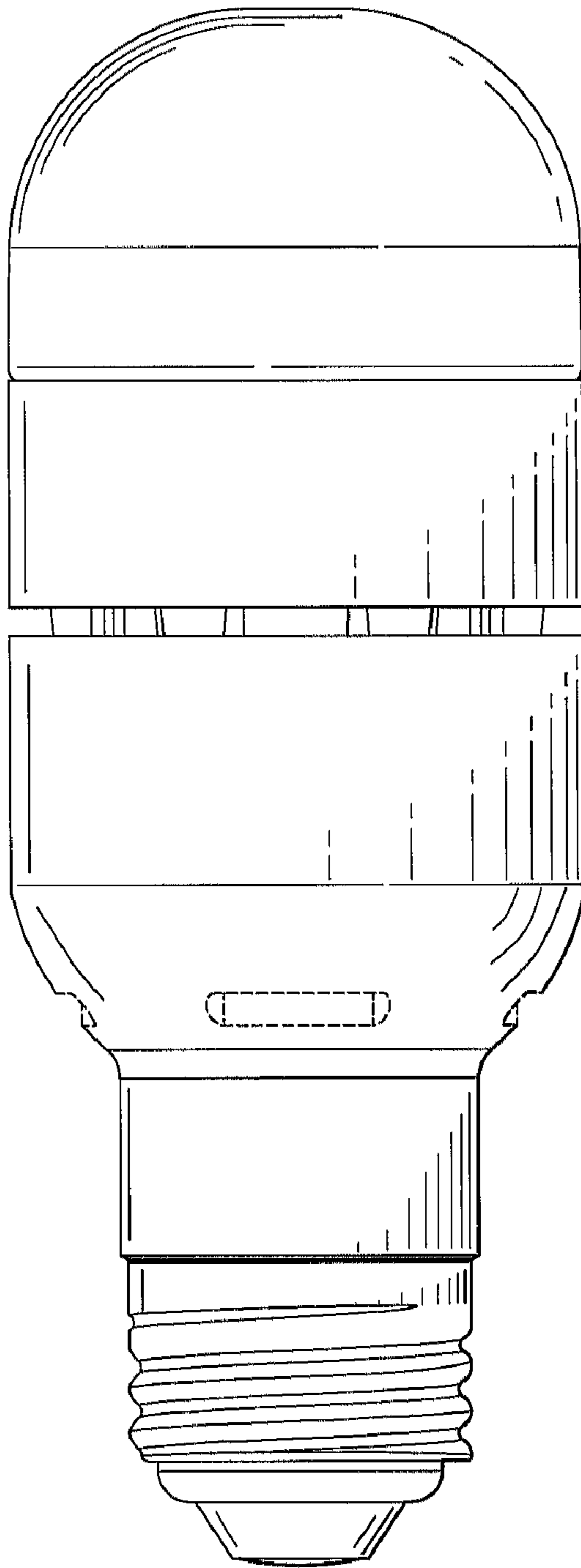


FIG.4

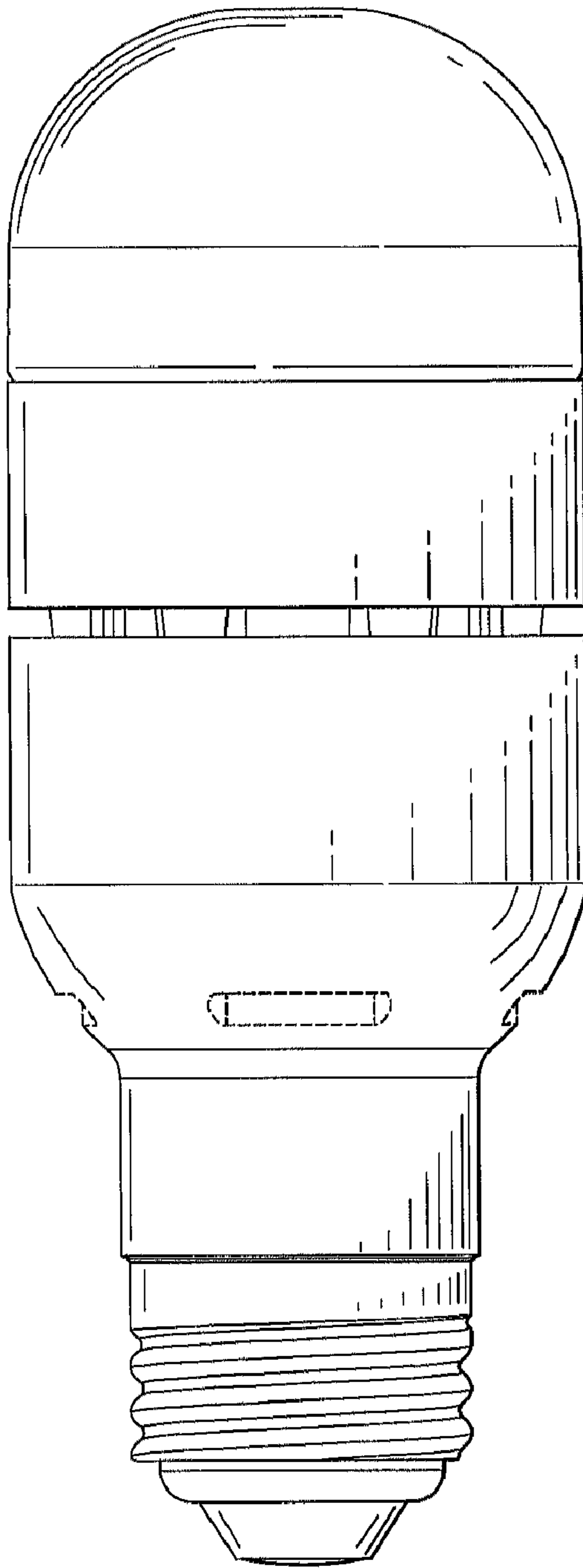


FIG.5

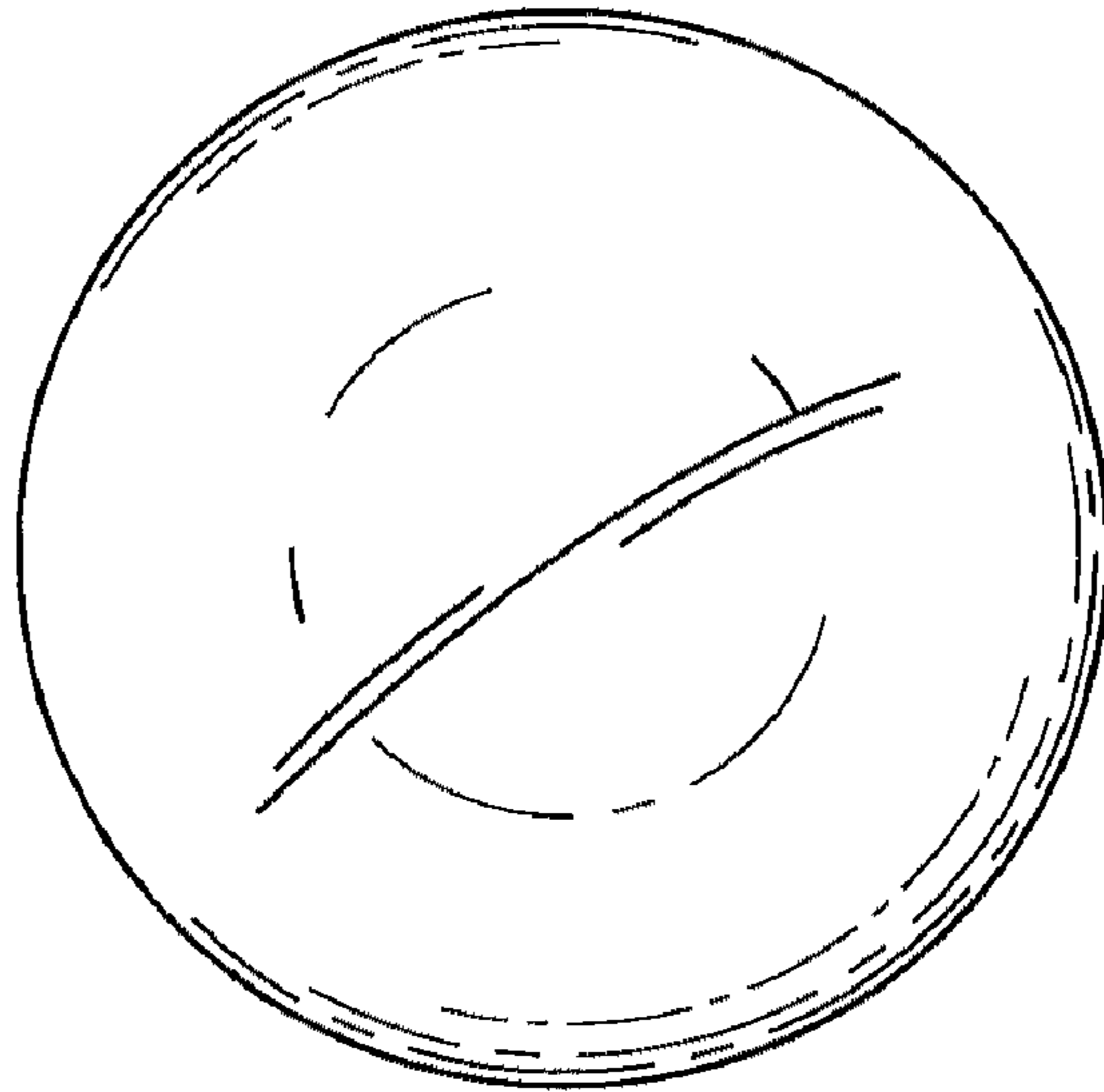


FIG.6

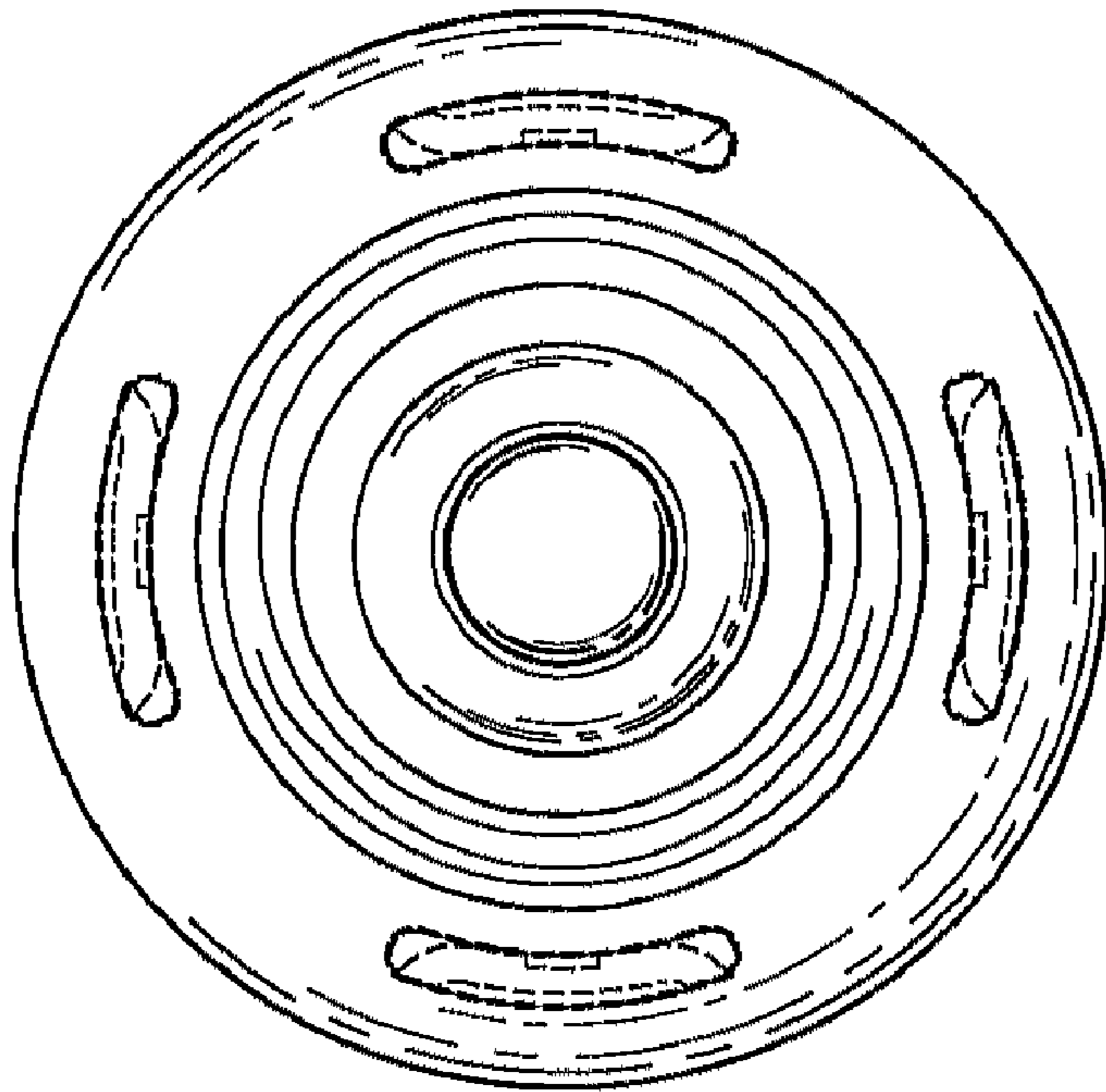


FIG.7

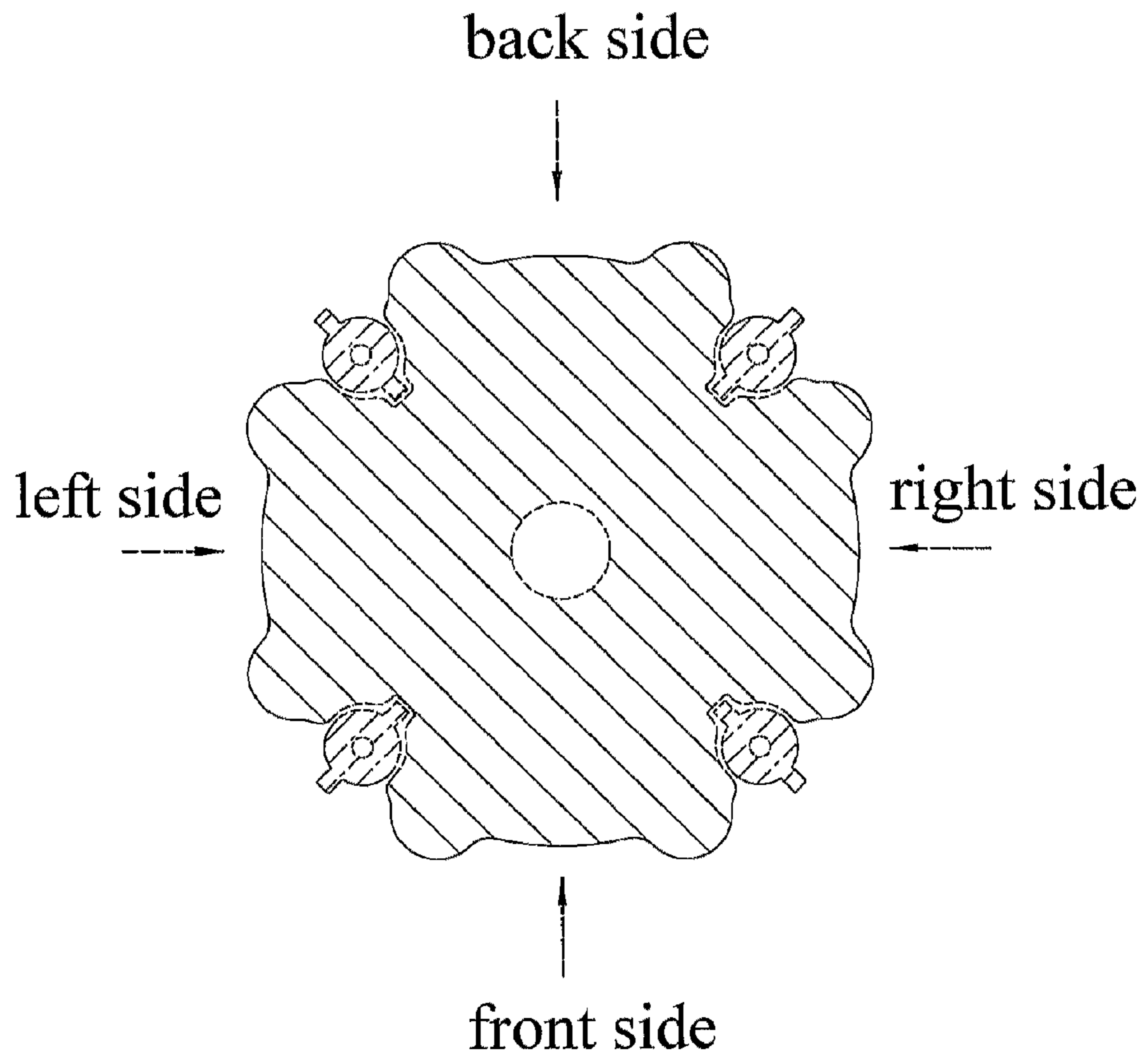


FIG. 8

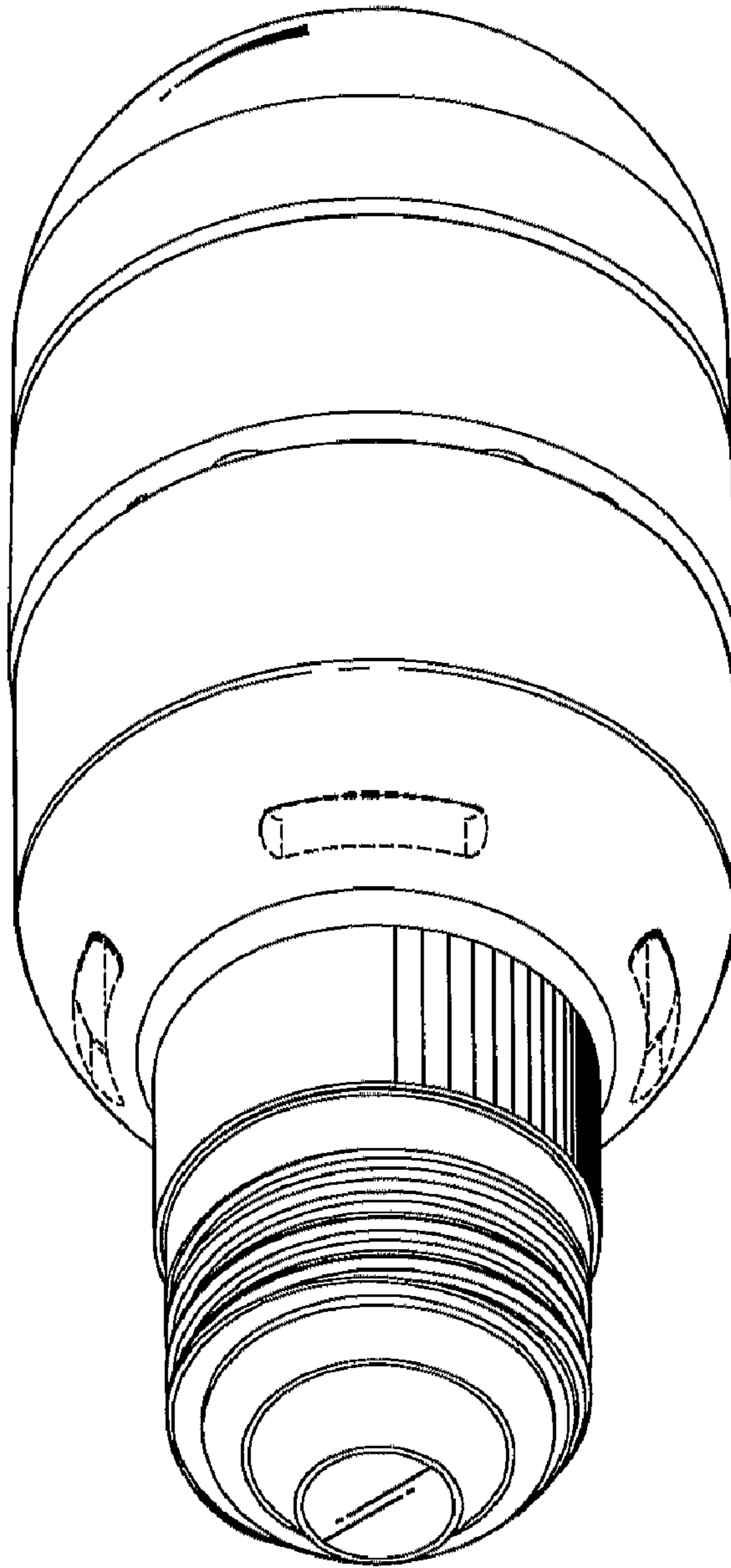


FIG.9