



US00D669198S

(12) **United States Design Patent**
Qiu

(10) **Patent No.:** **US D669,198 S**

(45) **Date of Patent:** **** Oct. 16, 2012**

(54) **LED LIGHT BULB**

(75) **Inventor:** **Fujun Qiu, Zhejiang (CN)**

(73) **Assignee:** **Ningbo Tongtai Electronic Co., Ltd.,
Zhejiang, Ningbo (CN)**

(**) **Term:** **14 Years**

(21) **Appl. No.:** **29/395,050**

(22) **Filed:** **Nov. 17, 2011**

(51) **LOC (9) Cl.** **26-04**

(52) **U.S. Cl.** **D26/2**

(58) **Field of Classification Search** D26/28-36;
313/313, 315, 316, 317, 318, 493; 315/52,
315/53, 56, 57, 58

See application file for complete search history.

(56) **References Cited**

U.S. PATENT DOCUMENTS

D433,167 S	*	10/2000	Yim	D26/2
D463,584 S	*	9/2002	Yim	D26/2
D532,532 S	*	11/2006	Maxik	D26/2
D535,038 S	*	1/2007	Egawa et al.	D26/2

D553,266 S	*	10/2007	Maxik	D26/2
D566,300 S	*	4/2008	Lo	D26/2
D584,838 S	*	1/2009	To et al.	D26/2
D644,358 S	*	8/2011	Lee et al.	D26/2
D647,220 S	*	10/2011	Qiu	D26/2

* cited by examiner

Primary Examiner — Marcus Jackson

(74) *Attorney, Agent, or Firm* — Raymond Y. Chan; David and Raymond Patent Firm

(57) **CLAIM**

The ornamental design for a LED light bulb, as shown and described.

DESCRIPTION

FIG. 1 is a front perspective view of LED light bulb showing my new design.

FIG. 2 is a rear view thereof.

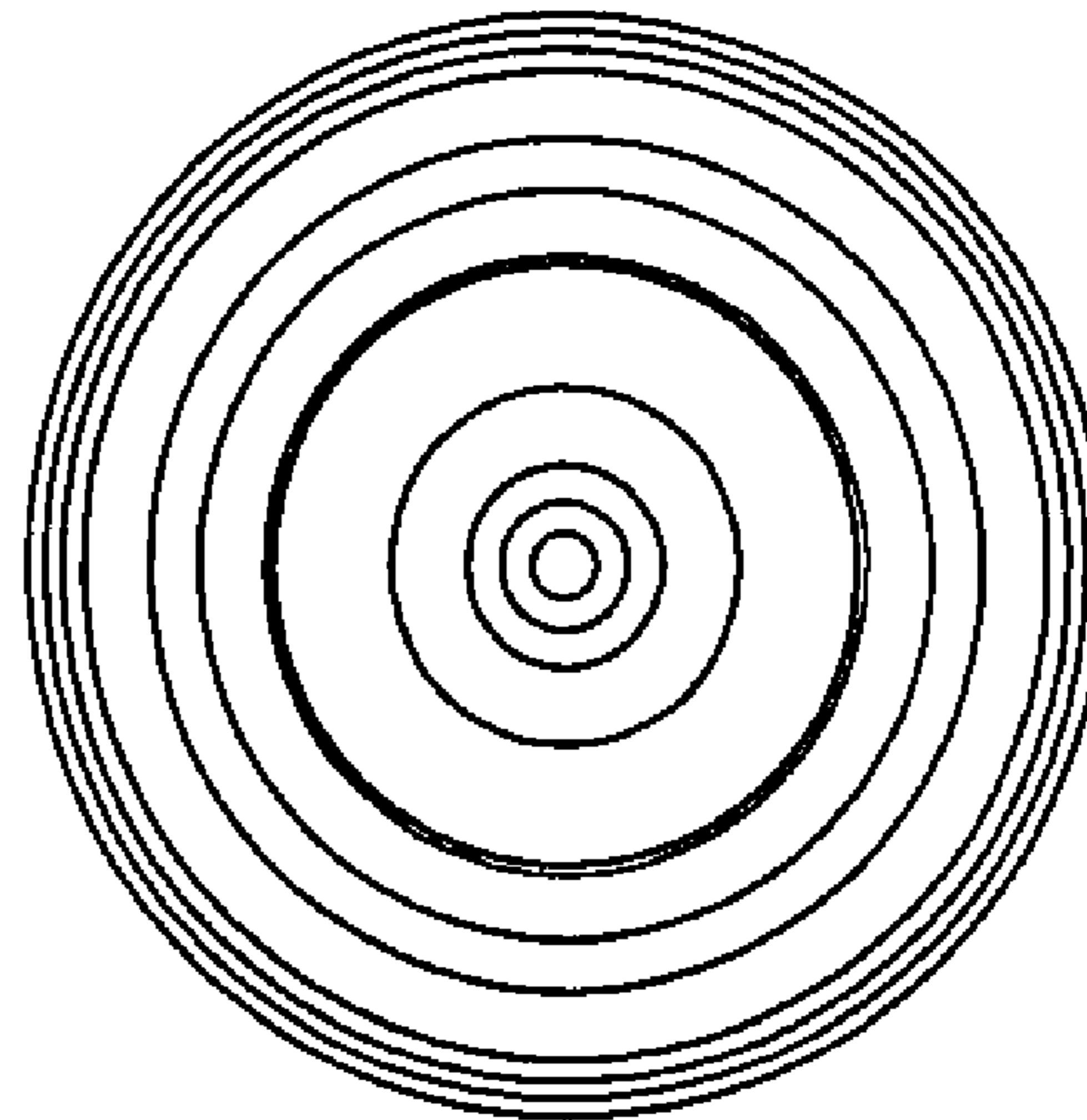
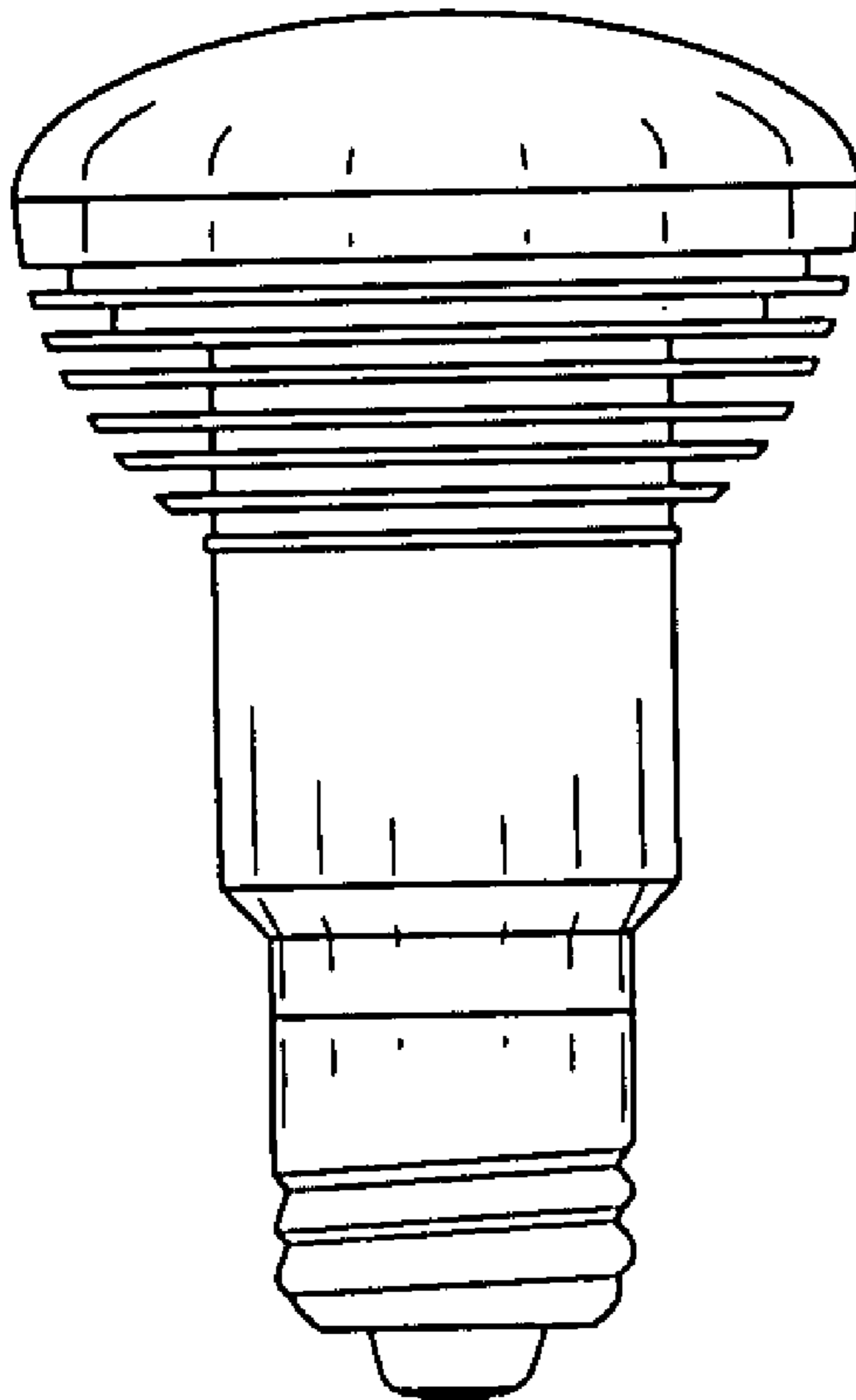
FIG. 3 is a right view thereof.

FIG. 4 is a left view thereof.

FIG. 5 is a top view thereof; and,

FIG. 6 is a bottom view thereof.

1 Claim, 1 Drawing Sheet



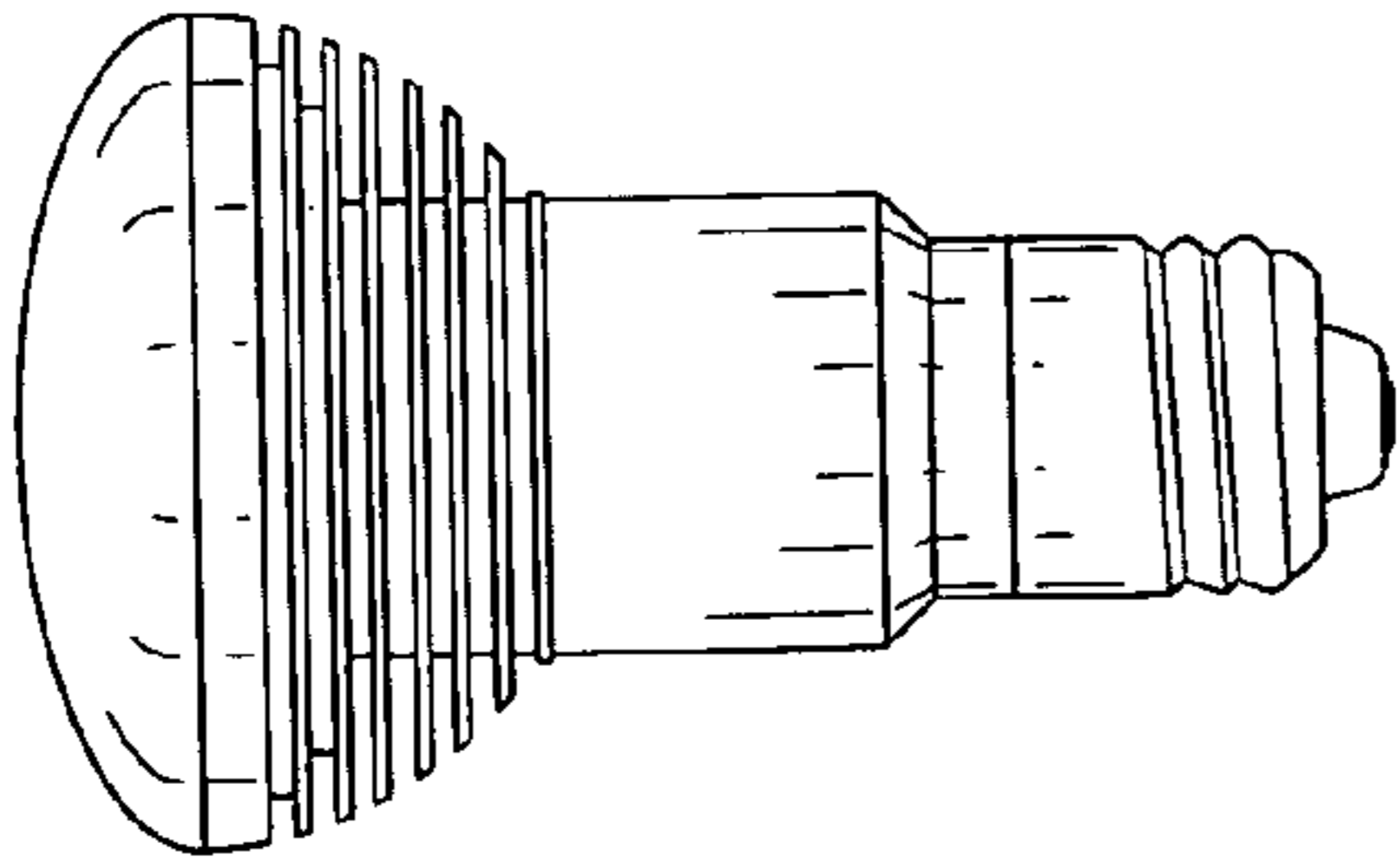


FIG. 1

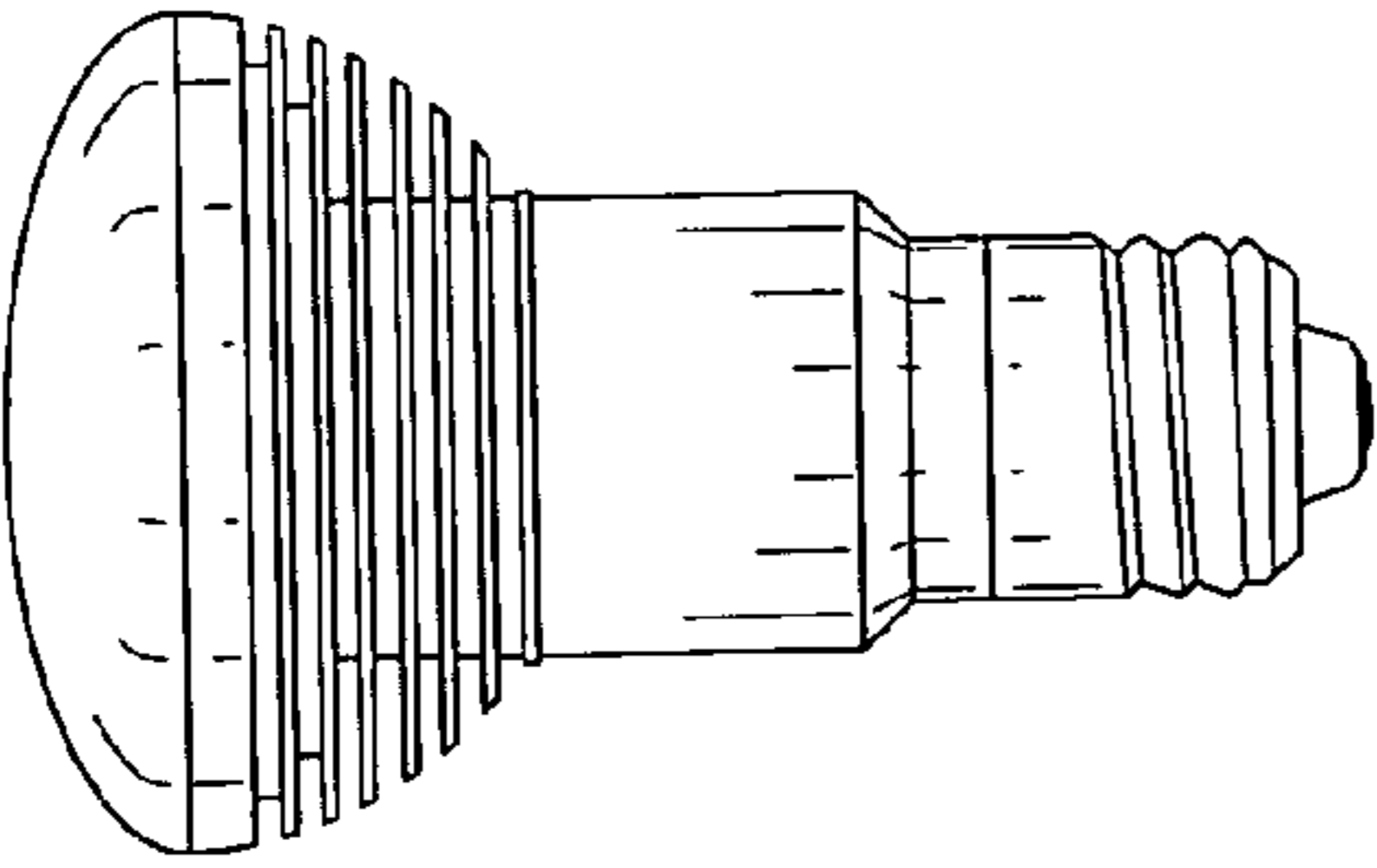


FIG. 2

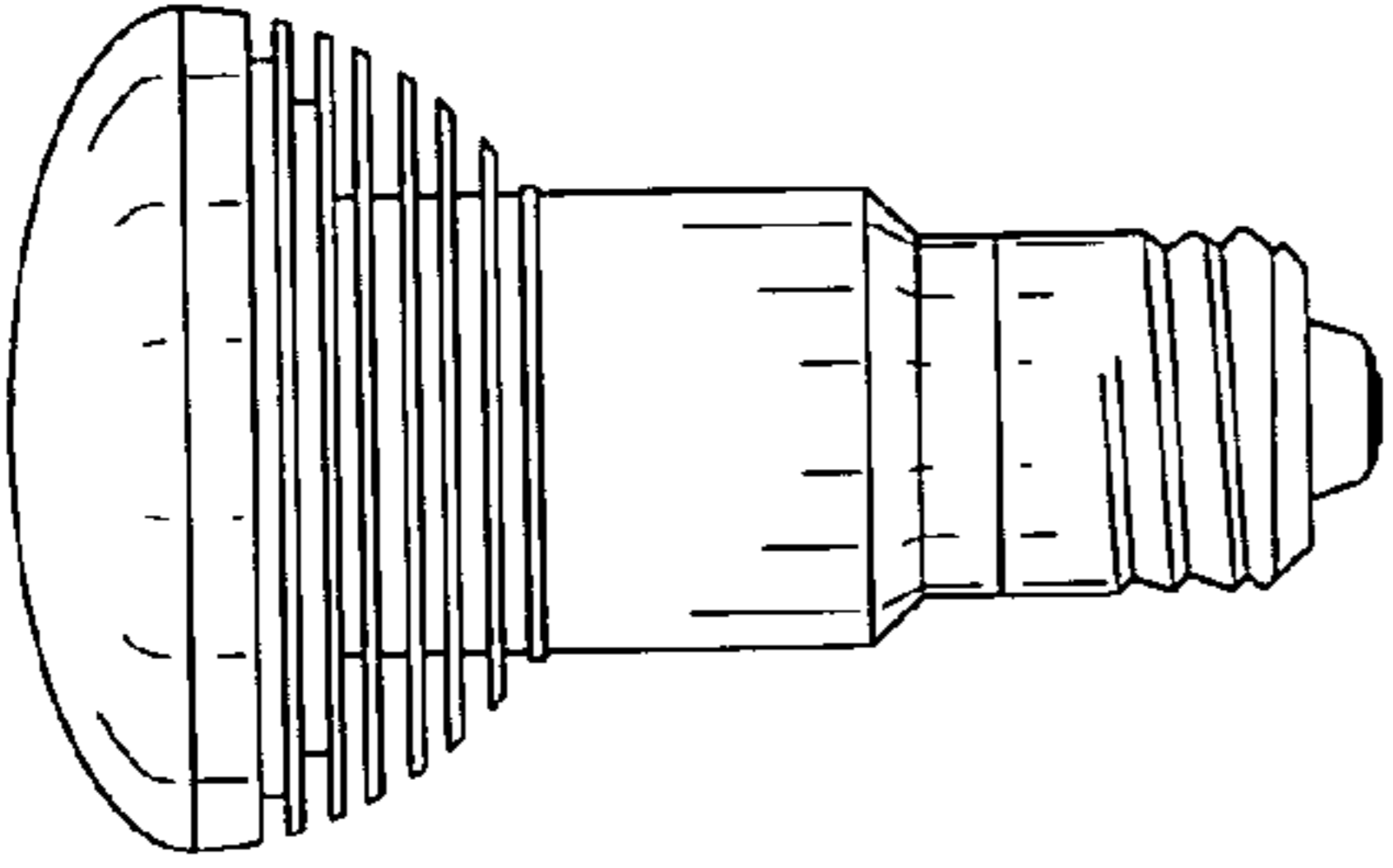


FIG. 3

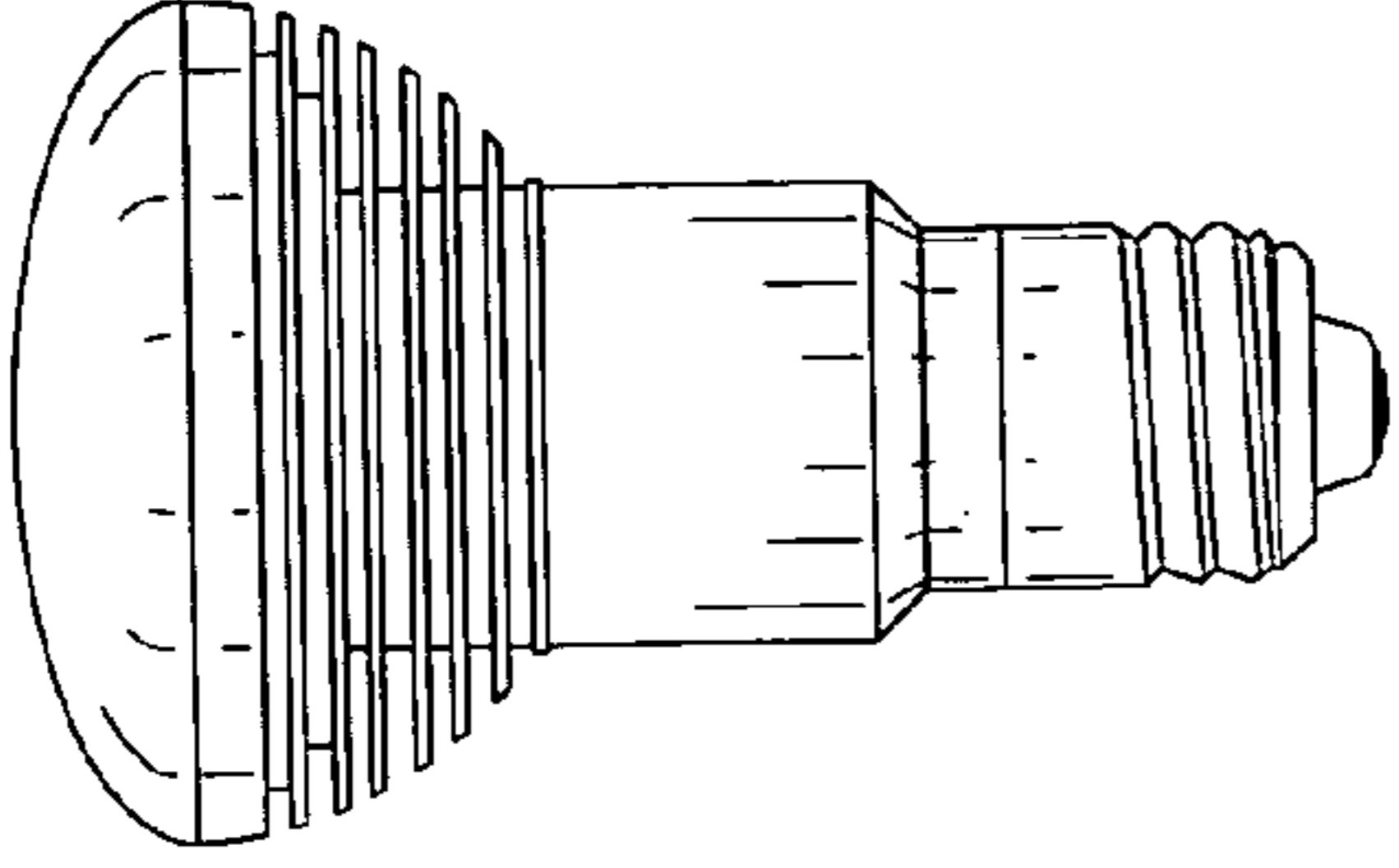


FIG. 4

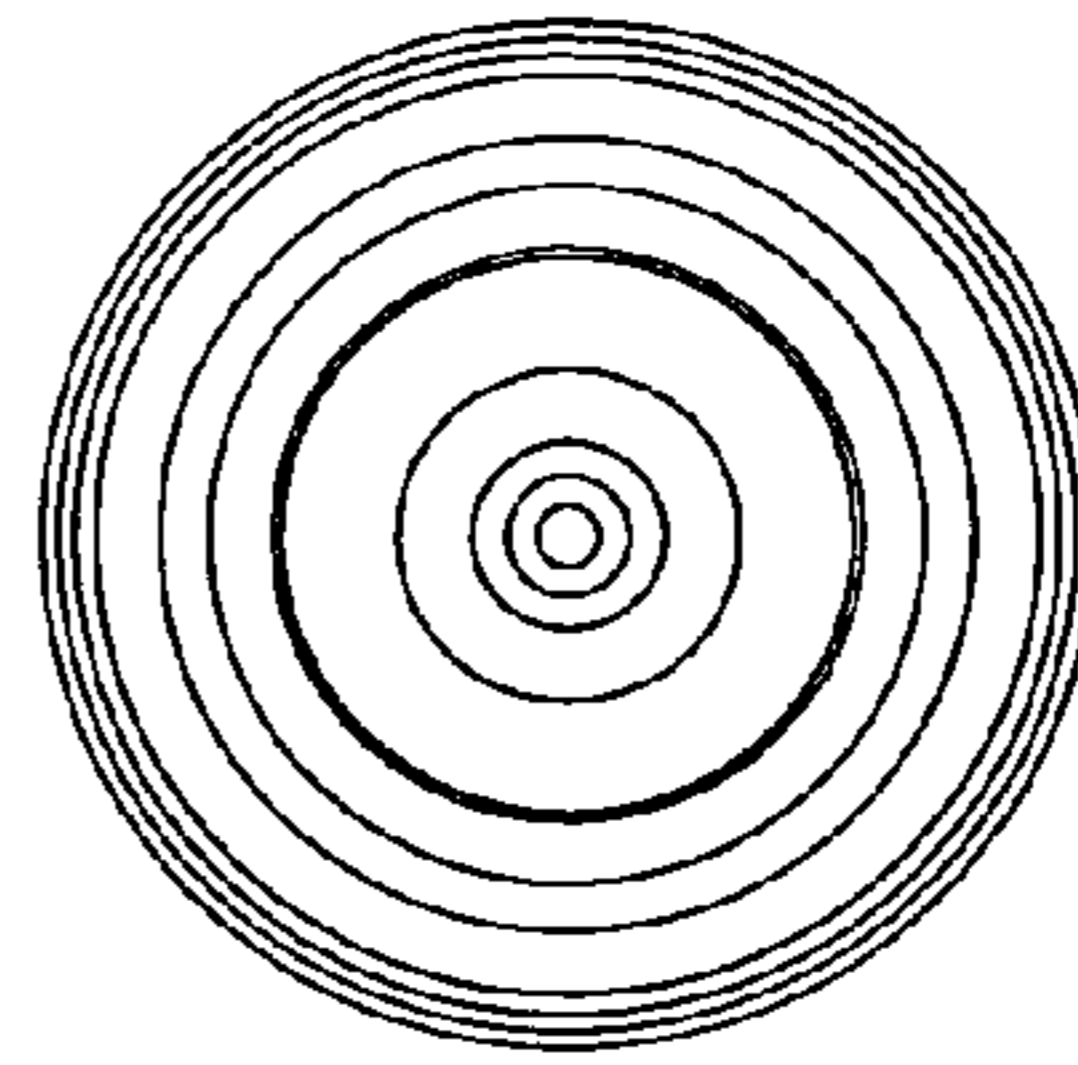


FIG. 5

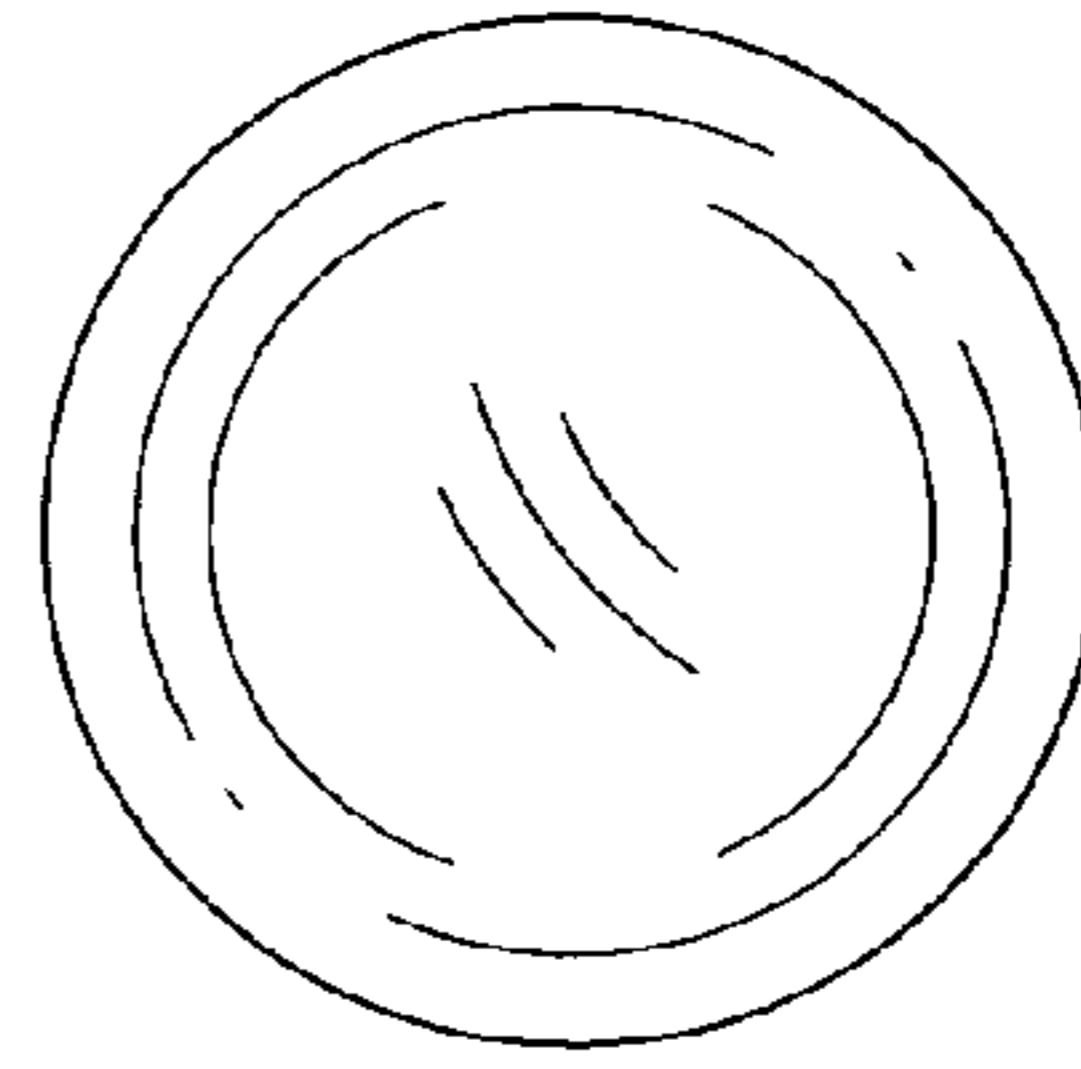


FIG. 6