



US00D669197S

(12) **United States Design Patent**  
**Connor**

(10) **Patent No.:** **US D669,197 S**

(45) **Date of Patent:** **\*\* Oct. 16, 2012**

(54) **LIGHT POLE BASE COVER**

*Primary Examiner* — Doris Clark

(76) **Inventor:** **Timothy Robert Connor**, Anaheim, CA  
(US)

(74) *Attorney, Agent, or Firm* — QuickPatents, Inc.; Kevin Prince

(\*\*) **Term:** **14 Years**

(21) **Appl. No.:** **29/420,301**

(57) **CLAIM**

I claim the ornamental design for a light pole base cover, as shown and described.

(22) **Filed:** **May 7, 2012**

(51) **LOC (9) Cl.** ..... **25-01**

(52) **U.S. Cl.** ..... **D25/133**

(58) **Field of Classification Search** ..... D25/133;  
256/65.14; 362/196, 217.1, 217.12, 217.13,  
362/431, 362; D26/23, 142  
See application file for complete search history.

**DESCRIPTION**

FIG. 1 is a perspective view of a light pole base cover, showing my new design;  
FIG. 2 is a top plan view thereof;  
FIG. 3 is a bottom plan view thereof;  
FIG. 4 is a left-side elevational view thereof, the right-side elevational view being a mirror image thereof; and,  
FIG. 5 is a front elevational view thereof, the rear elevational view being a mirror image thereof.  
The broken lines showing a light pole and a ground surface in FIG. 1 depict environmental matter and form no part of the claimed design.

(56) **References Cited**

**U.S. PATENT DOCUMENTS**

D430,700	S *	9/2000	Dolan	.....	D26/142
6,257,557	B1 *	7/2001	Anderson et al.	.....	256/1
7,104,525	B2 *	9/2006	Ricci	.....	256/65.14
D586,481	S *	2/2009	Blair	.....	D25/133
7,972,026	B2 *	7/2011	Warner et al.	.....	362/196
2006/0092646	A1 *	5/2006	Kelly et al.	.....	362/431

\* cited by examiner

**1 Claim, 3 Drawing Sheets**

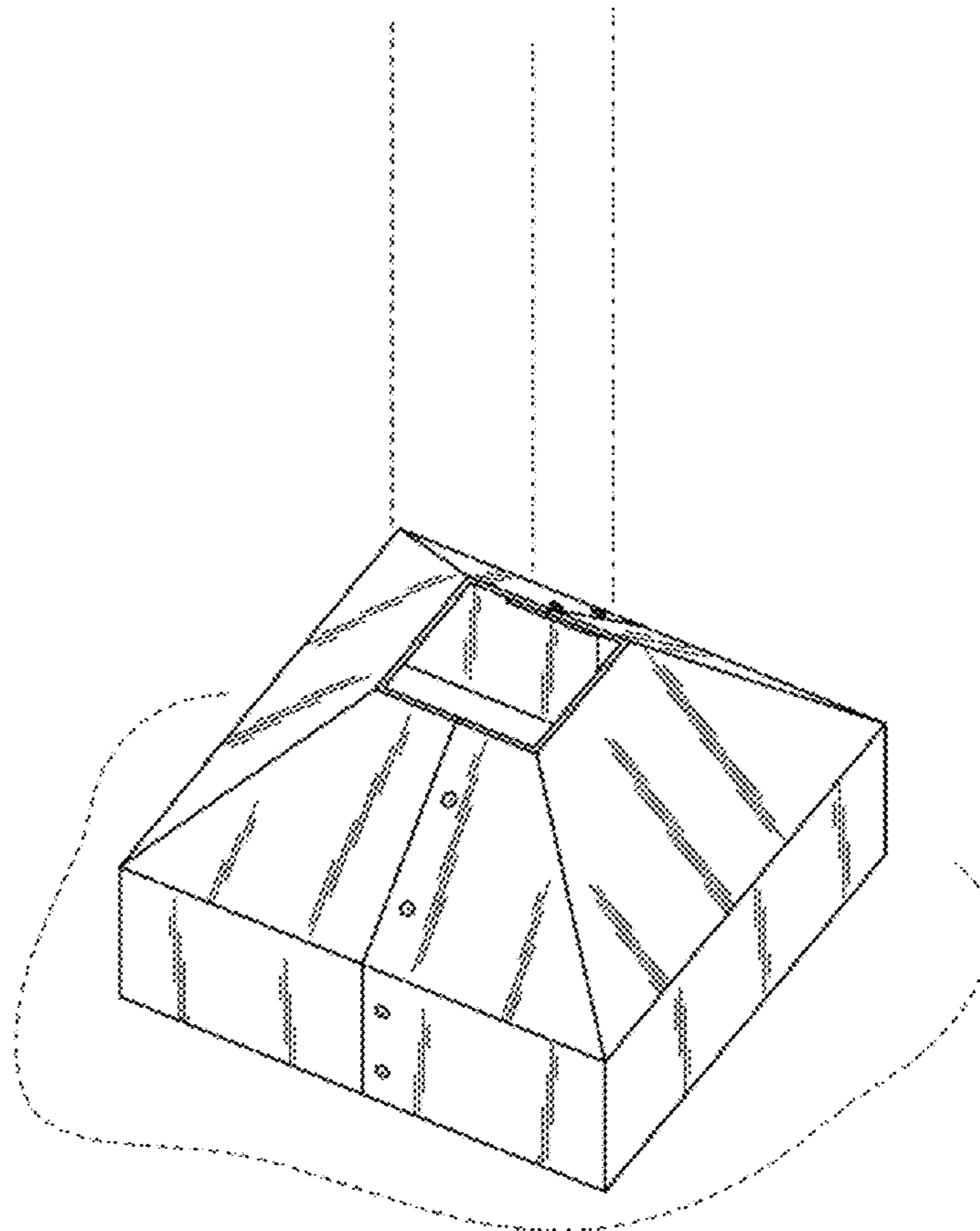


FIG. 1

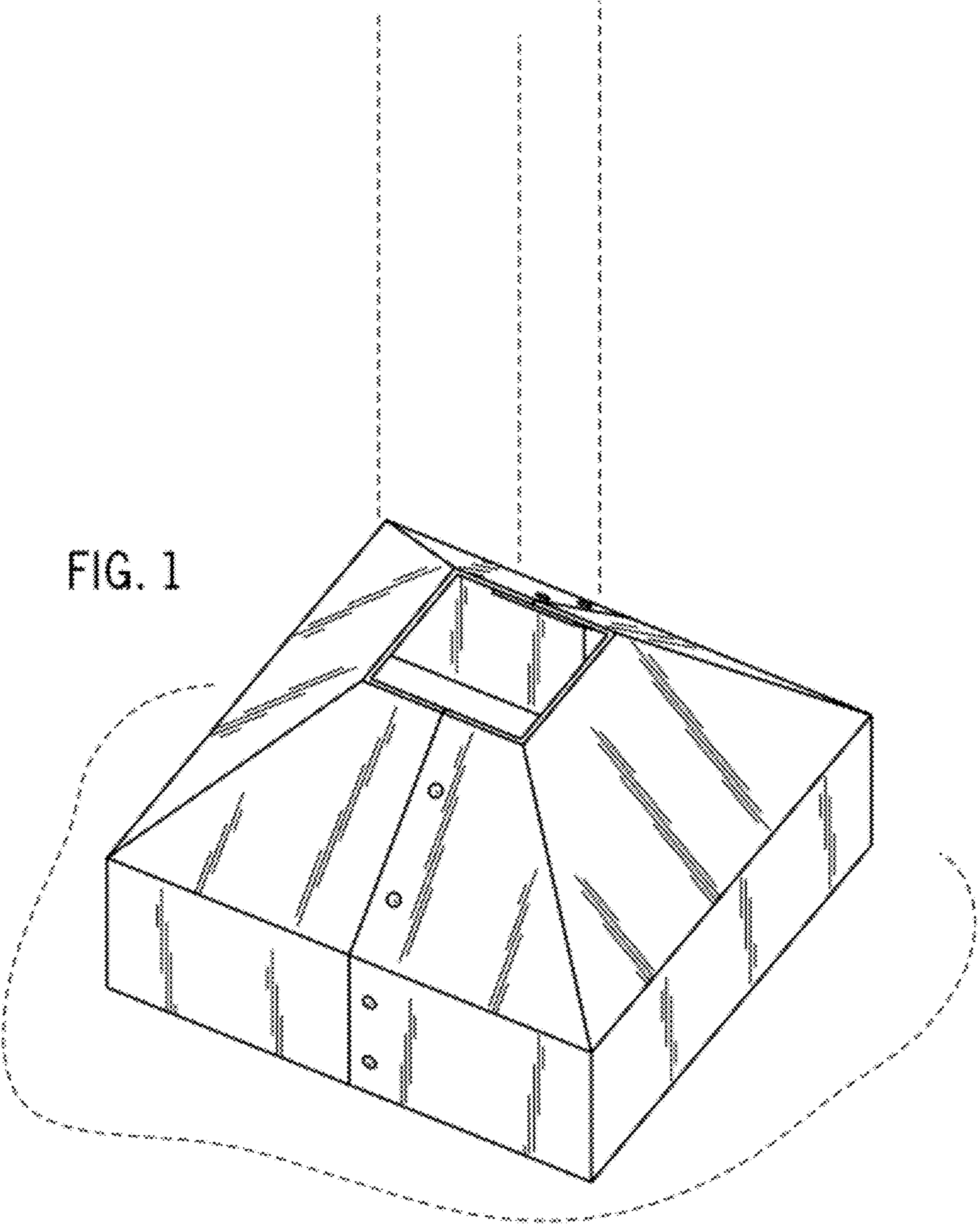


FIG. 2

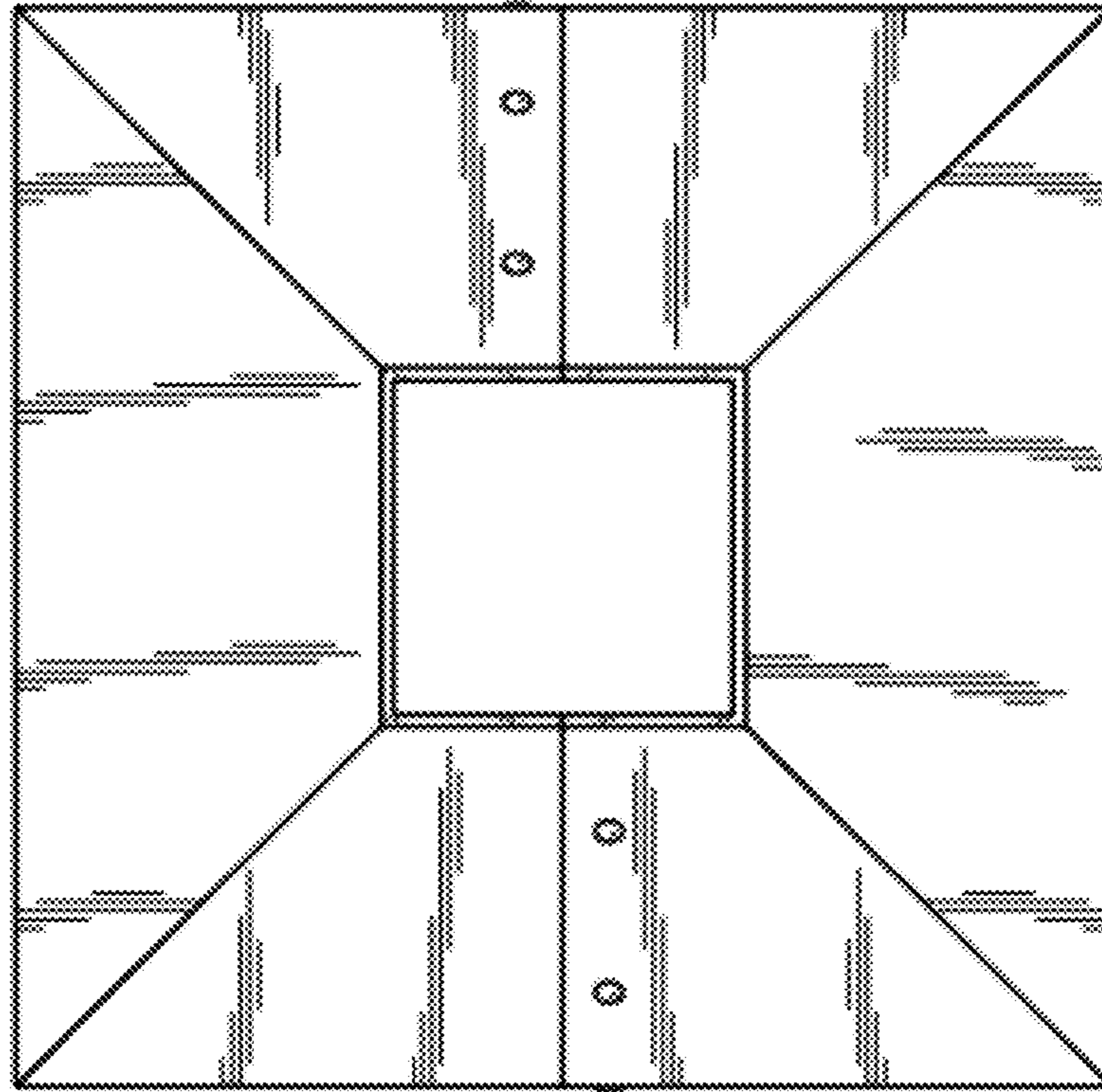


FIG. 3

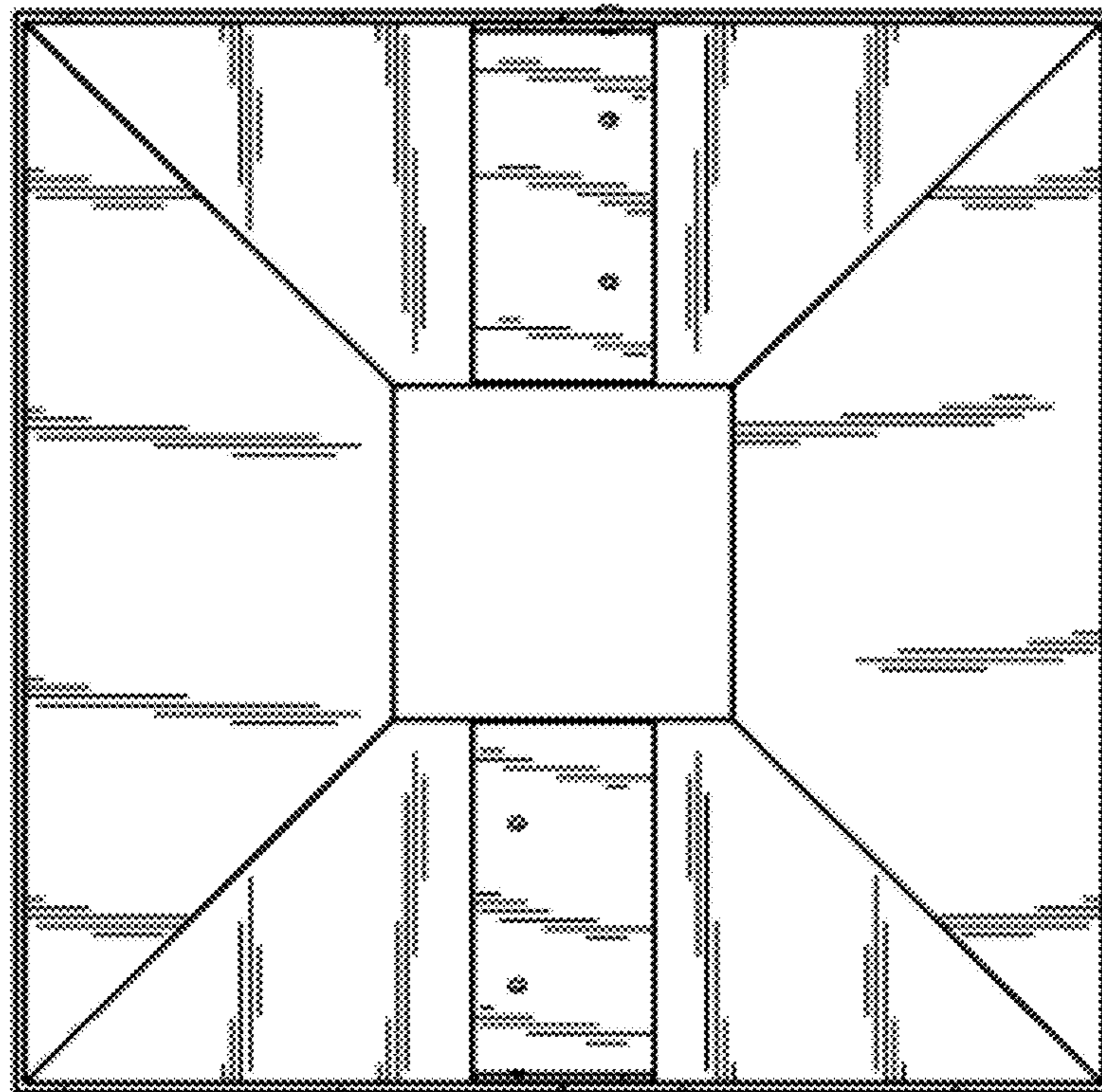




FIG. 4

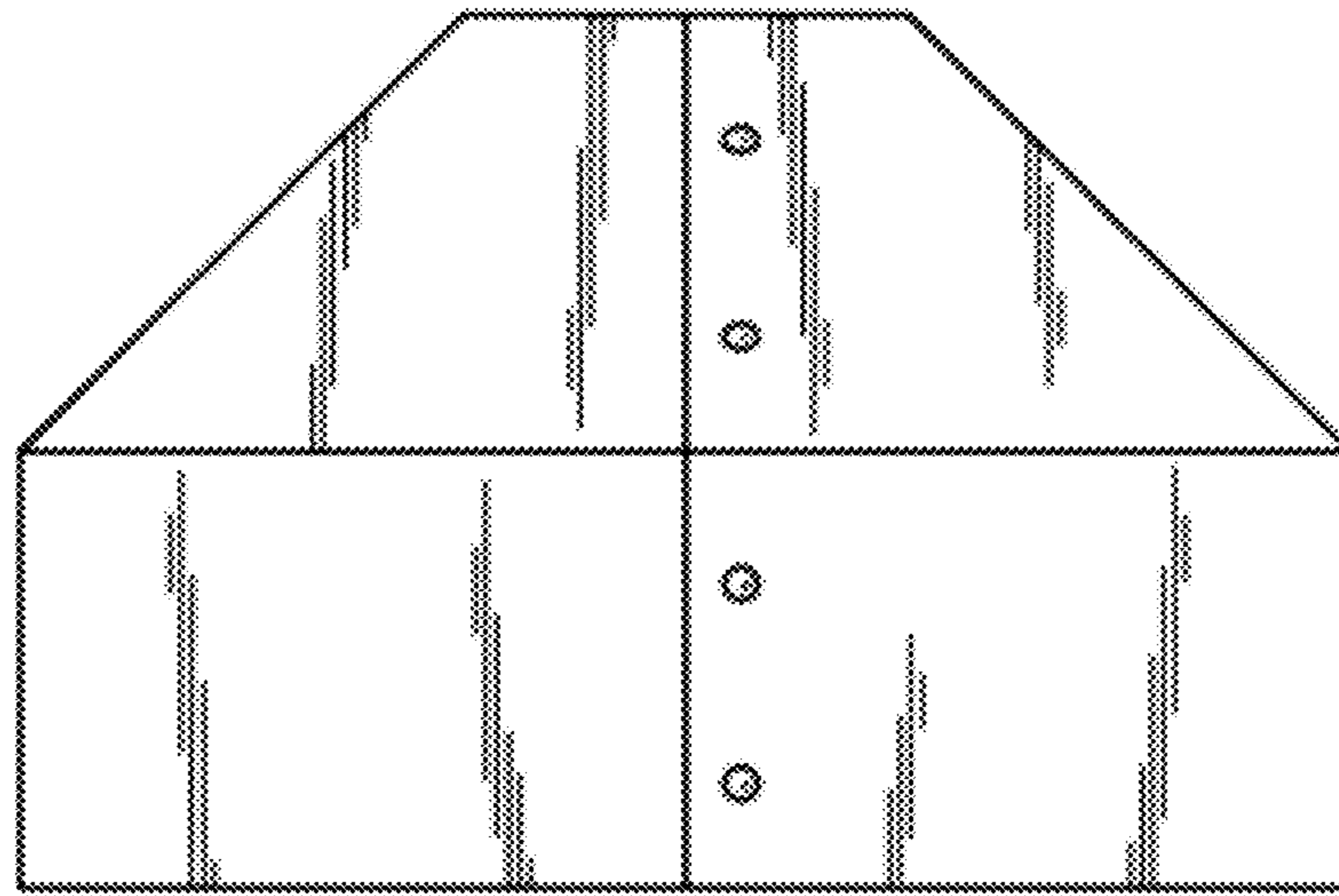


FIG. 5

