



US00D669190S

(12) **United States Design Patent**
Sharpe et al.

(10) **Patent No.:** **US D669,190 S**
(45) **Date of Patent:** **** Oct. 16, 2012**

- (54) **PILL CRUSHER FOR ONE-HANDED USE**
- (76) Inventors: **Gary L. Sharpe**, Naples, FL (US); **Doug Clouser**, Galloway, OH (US)
- (**) Term: **14 Years**
- (21) Appl. No.: **29/411,708**
- (22) Filed: **Jan. 25, 2012**
- (51) **LOC (9) Cl.** **24-01**
- (52) **U.S. Cl.** **D24/220**
- (58) **Field of Classification Search** D24/220,
D24/221, 216, 224, 231, 232; D7/679, 682;
241/169, 168, 169.1, 169.2, 199.11, DIG. 27
See application file for complete search history.

(56) **References Cited**

U.S. PATENT DOCUMENTS

4,366,930	A *	1/1983	Trombetti, Jr.	241/169
4,967,971	A *	11/1990	Smith	241/169
D660,452	S *	5/2012	Wolff et al.	D24/220
2011/0101140	A1 *	5/2011	Grah	241/169.2

* cited by examiner

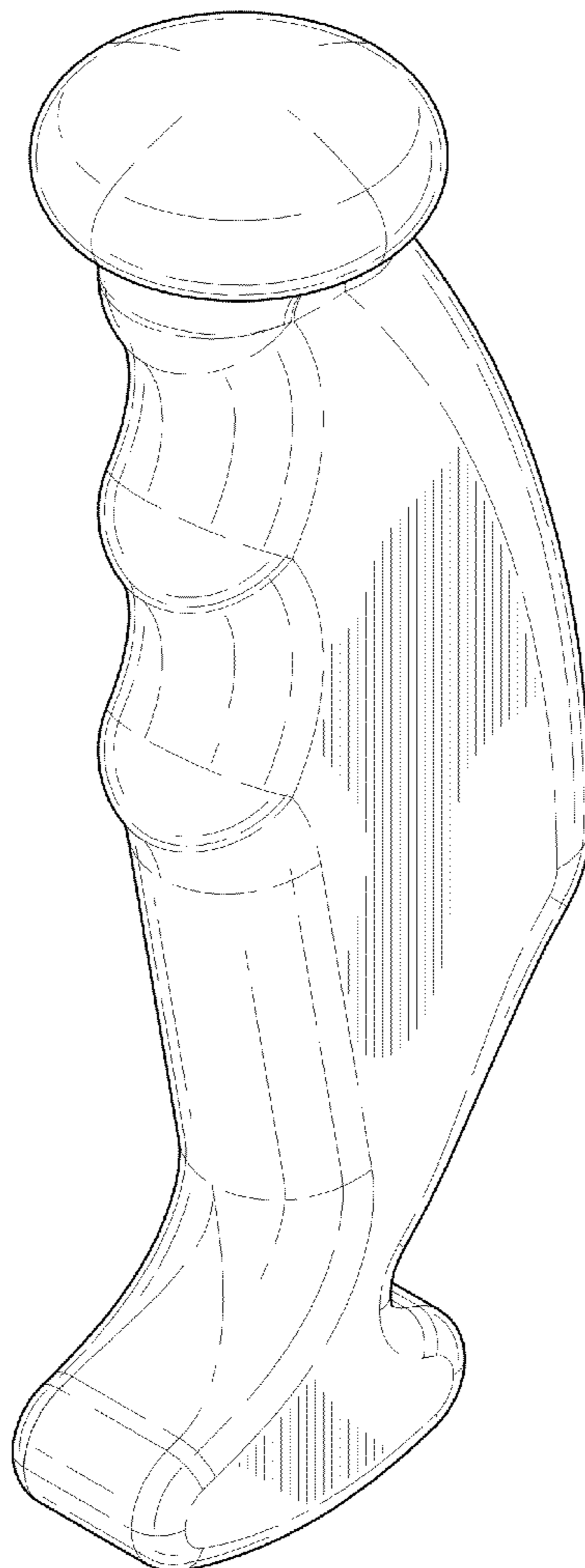
Primary Examiner — T. Chase Nelson
Assistant Examiner — Ania Aman
(74) *Attorney, Agent, or Firm* — Standley Law Group LLP

(57) **CLAIM**
The ornamental design for a pill crusher for one-handed use, as shown and described.

DESCRIPTION

FIG. 1 is a top front perspective view of the pill crusher for one-handed use;
FIG. 2 is a bottom rear perspective view thereof;
FIG. 3 is a top plan view thereof;
FIG. 4 is a left-side elevation view thereof;
FIG. 5 is a rear elevation view thereof;
FIG. 6 is a right-side elevation view thereof;
FIG. 7 is a front elevation view thereof; and,
FIG. 8 is a bottom plan view thereof.
In the drawings, the broken lines depict unclaimed subject matter only and form no part of the claimed design.

1 Claim, 3 Drawing Sheets



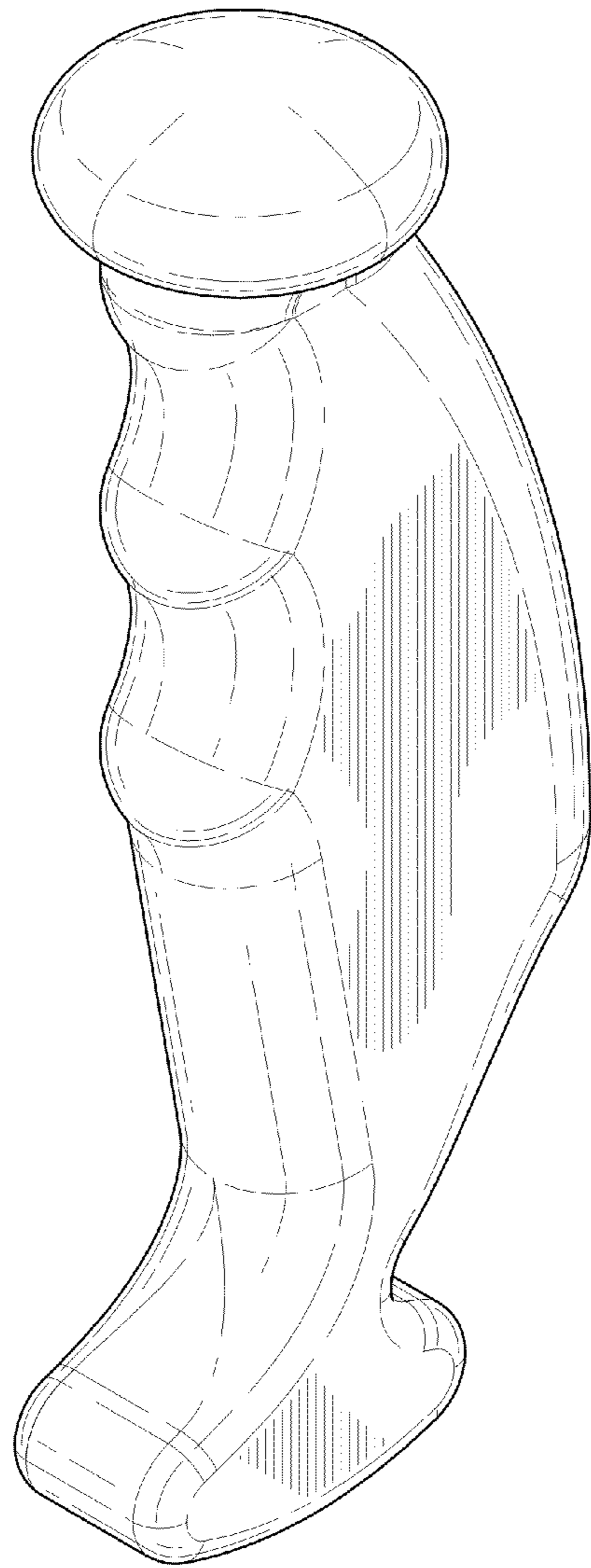


FIG-1

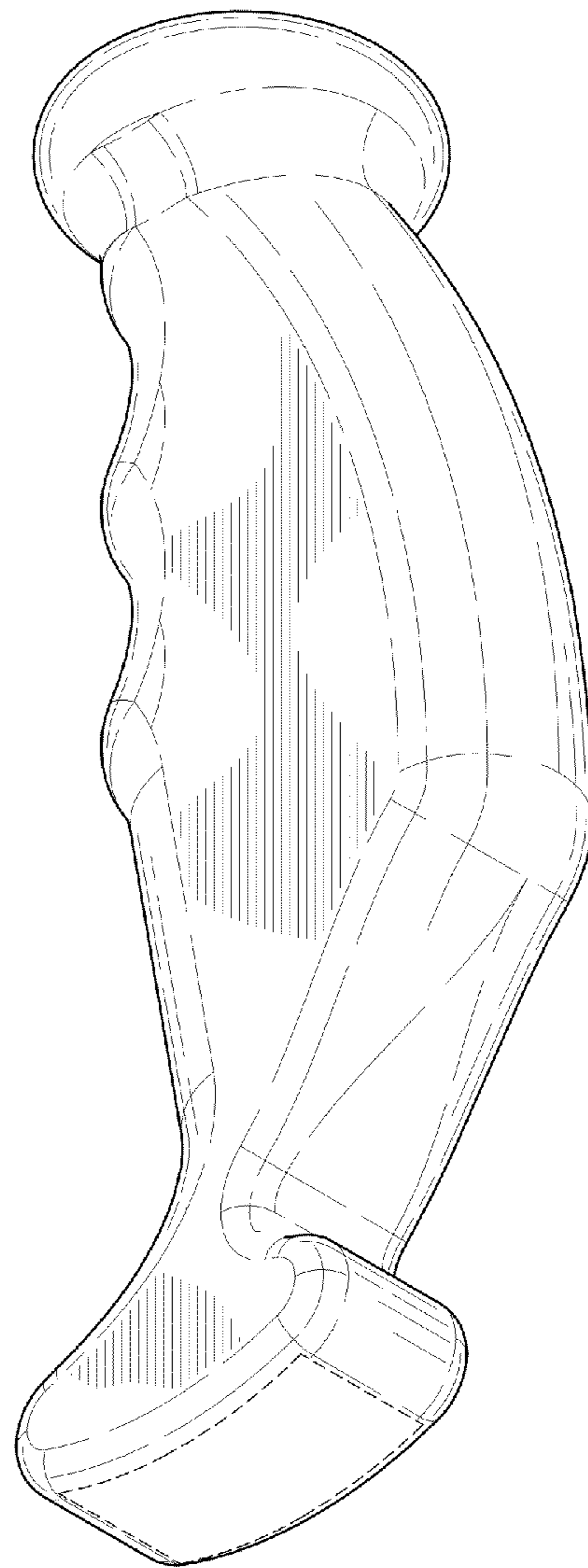


FIG-2

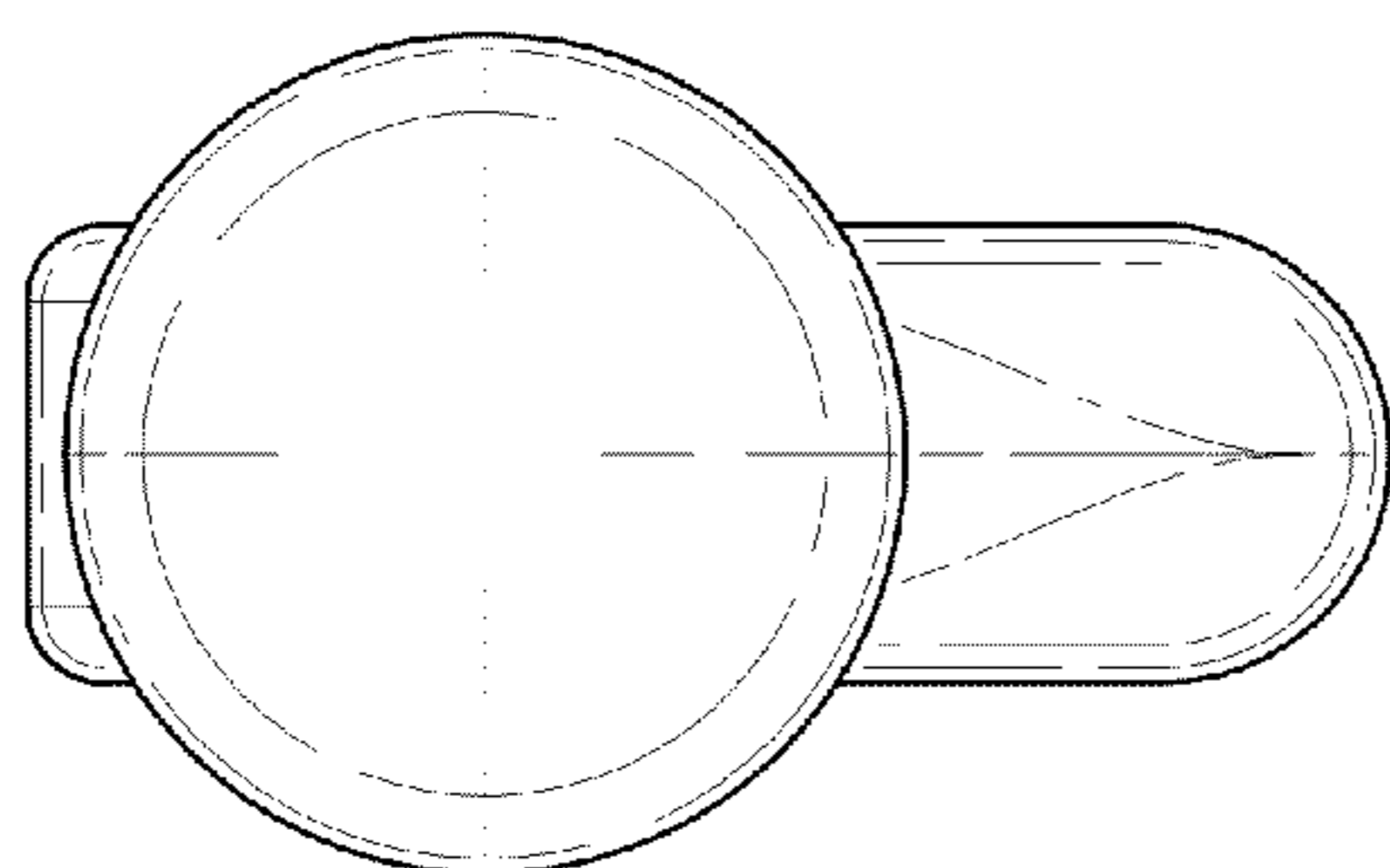


FIG-3

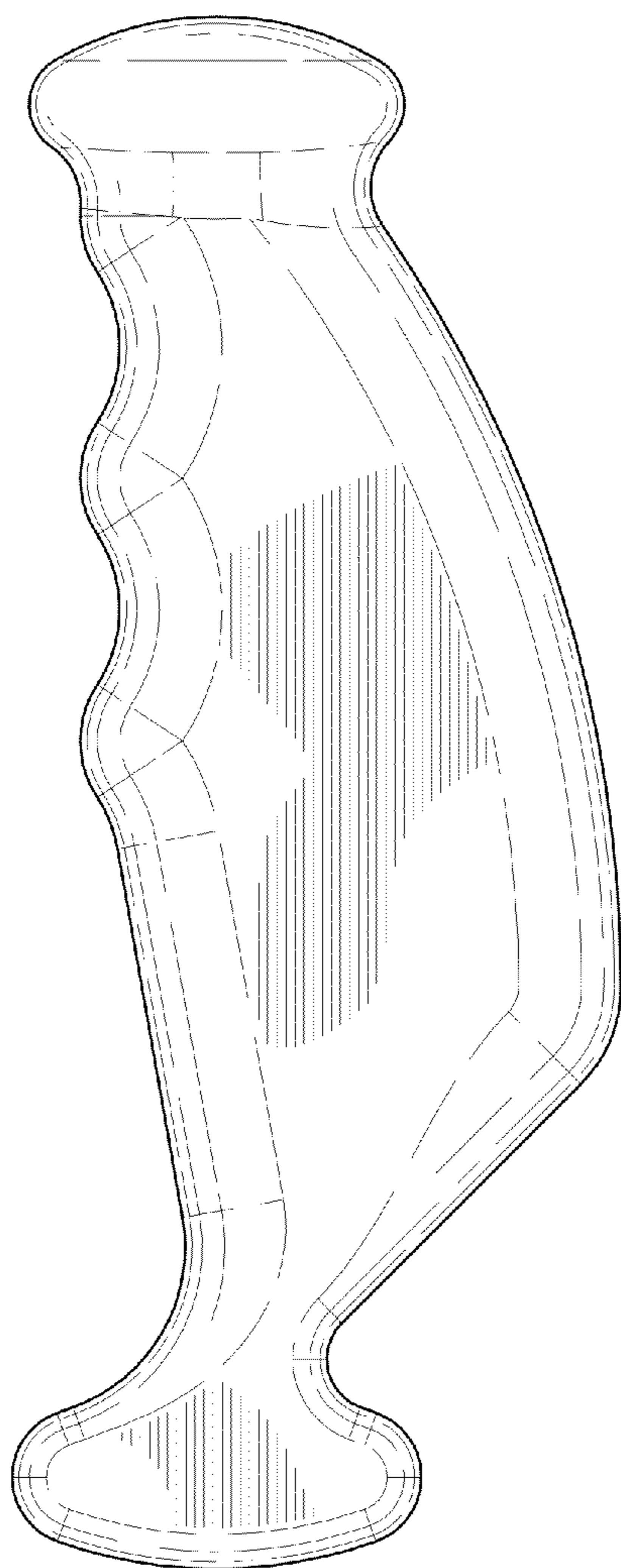


FIG-4

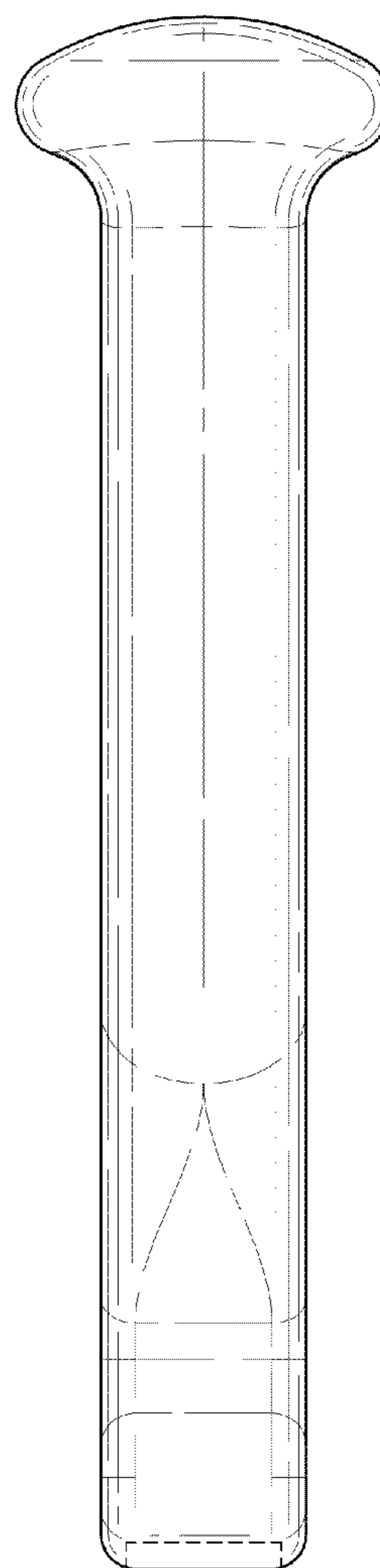


FIG-5

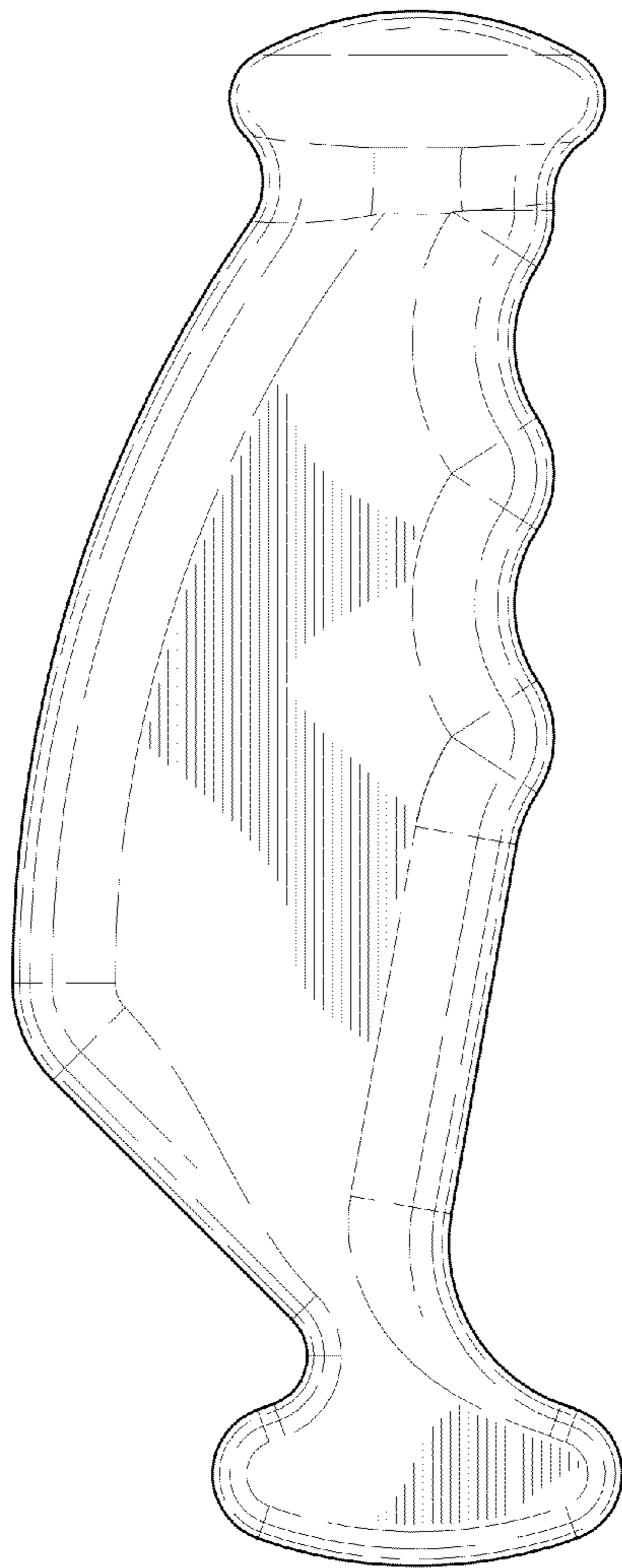


FIG-6

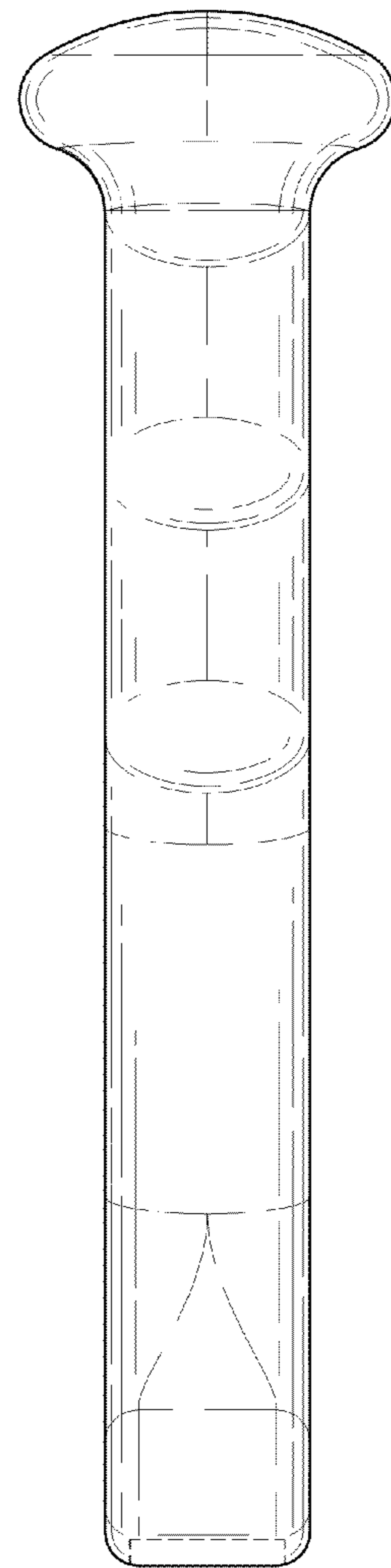


FIG-7

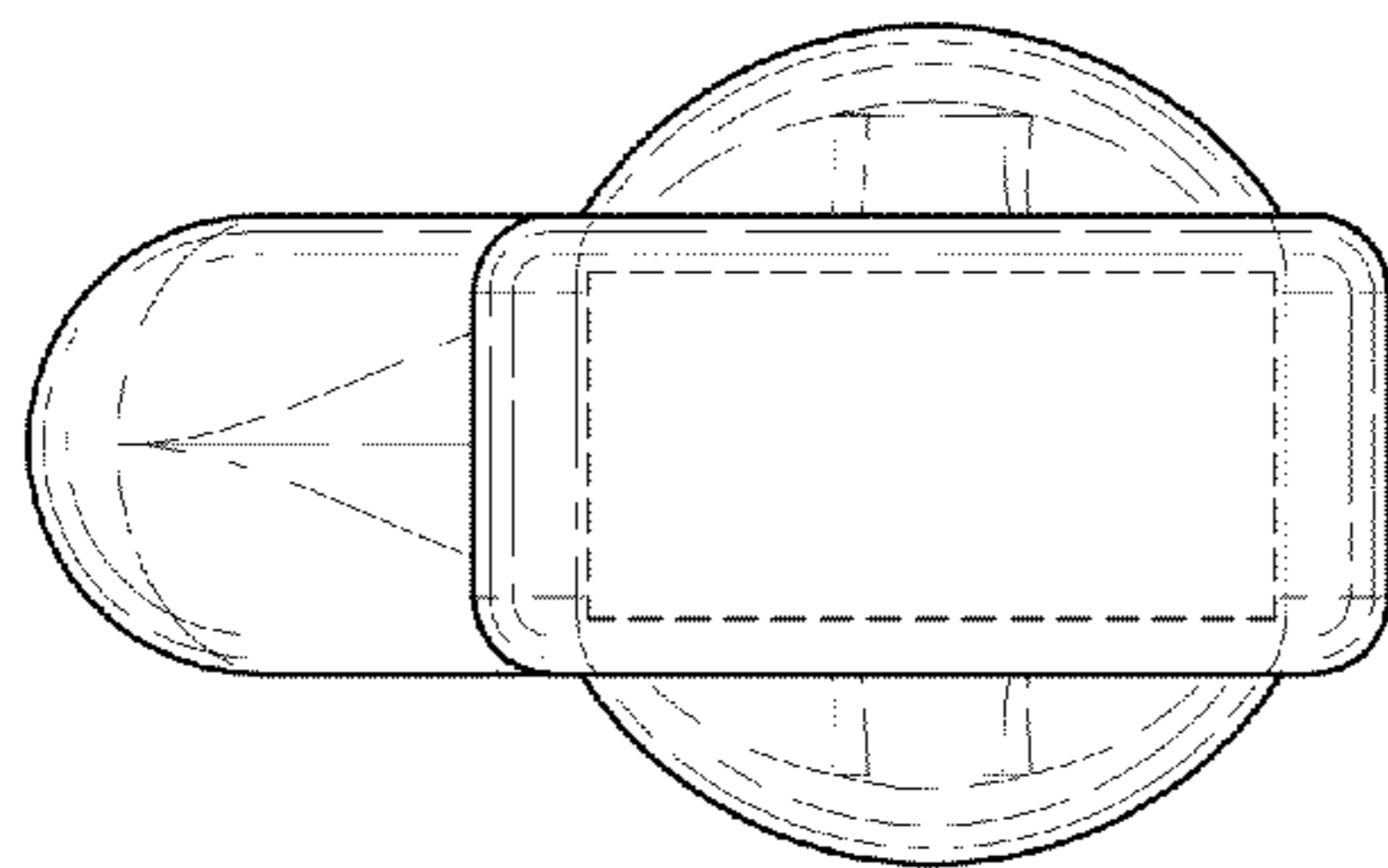


FIG-8