



US00D669188S

(12) **United States Design Patent**  
**Errico et al.**

(10) **Patent No.:** **US D669,188 S**  
(45) **Date of Patent:** **\*\* Oct. 16, 2012**

(54) **STIMULATOR**

(75) Inventors: **Joseph P Errico**, Warren, NJ (US);  
**Michael Dudasik**, Nutley, NJ (US)

(73) Assignee: **ElectroCore LLC**, Morris Plains, NJ  
(US)

(\*\*) Term: **14 Years**

(21) Appl. No.: **29/398,855**

(22) Filed: **Aug. 5, 2011**

(51) **LOC (9) Cl.** ..... **28-03**

(52) **U.S. Cl.** ..... **D24/214**

(58) **Field of Classification Search** ..... D24/200,  
D24/211-215, 141; 601/27, 28, 33, 40, 46,  
601/47, 48, 63, 80, 99, 104, 112, 113, 114,  
601/119, 122, 125, 129, 134, 135, 137, DIG. 12,  
601/DIG. 13, DIG. 14, DIG. 15, DIG. 16,  
601/DIG. 17

See application file for complete search history.

(56) **References Cited**

**U.S. PATENT DOCUMENTS**

D262,490 S \* 12/1981 Hewitt ..... D24/211  
D272,090 S \* 1/1984 Hosid ..... D24/211  
5,311,860 A \* 5/1994 Doria ..... 601/103  
D357,065 S \* 4/1995 Castellini ..... D24/112

D371,443 S \* 7/1996 Lie ..... D24/215  
D497,208 S \* 10/2004 Longoria et al. .... D24/214  
D553,252 S \* 10/2007 Masuda ..... D24/214  
D572,668 S \* 7/2008 Nan ..... D13/174  
D573,262 S \* 7/2008 Soucy ..... D24/211  
D631,972 S \* 2/2011 Imboden et al. .... D24/215  
D656,621 S \* 3/2012 Matsushita ..... D24/215  
D657,066 S \* 4/2012 Imboden et al. .... D24/215  
2010/0004593 A1 \* 1/2010 Gregorich et al. .... 604/96.01

\* cited by examiner

*Primary Examiner* — Sandra Snapp

(74) *Attorney, Agent, or Firm* — John T. Raffle

(57) **CLAIM**

The ornamental design for the stimulator, as shown and described.

**DESCRIPTION**

FIG. 1 is a front perspective view of the stimulator;

FIG. 2 is a bottom view of the stimulator;

FIG. 3 is a top view of the stimulator;

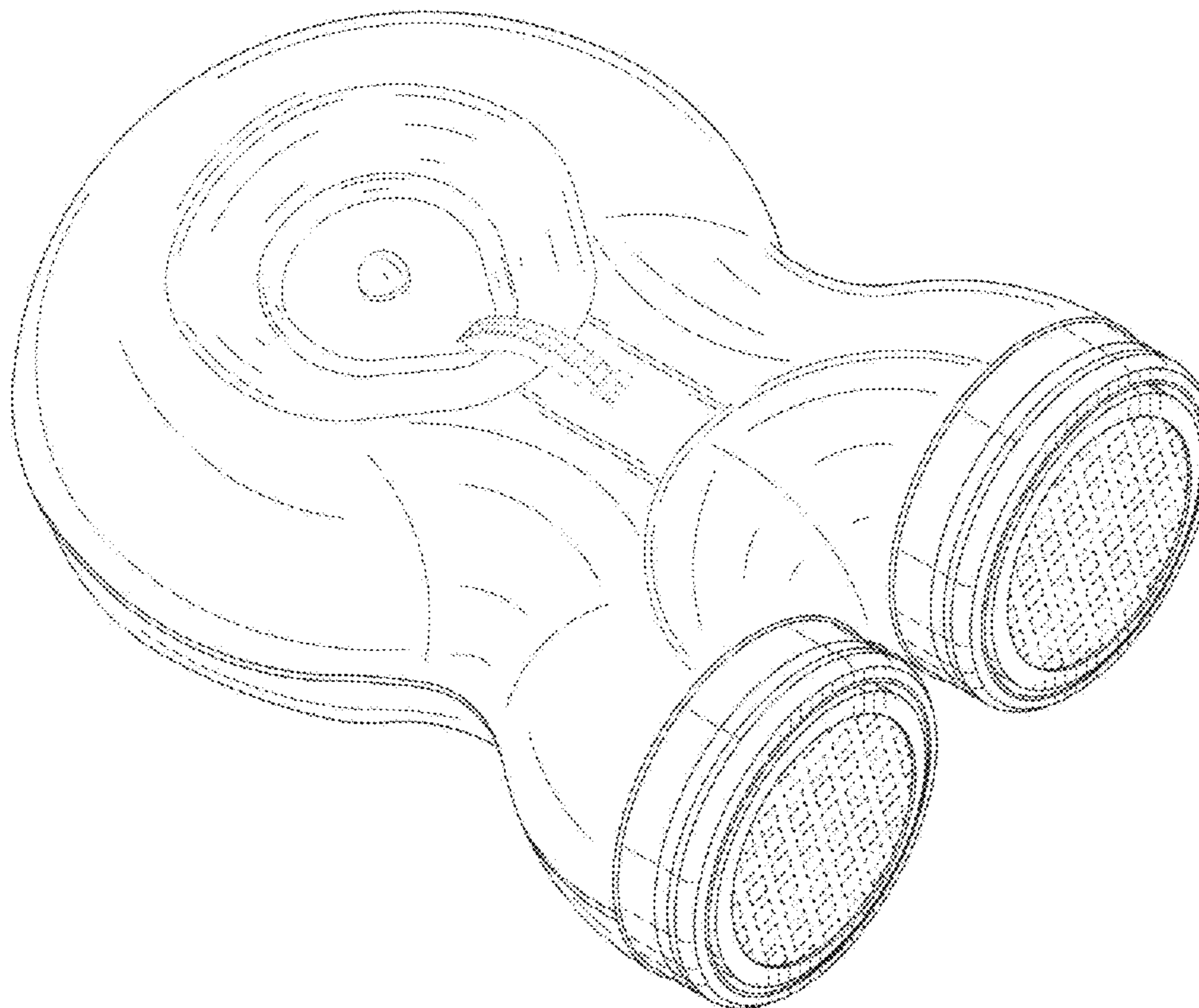
FIG. 4 is a front view of the stimulator;

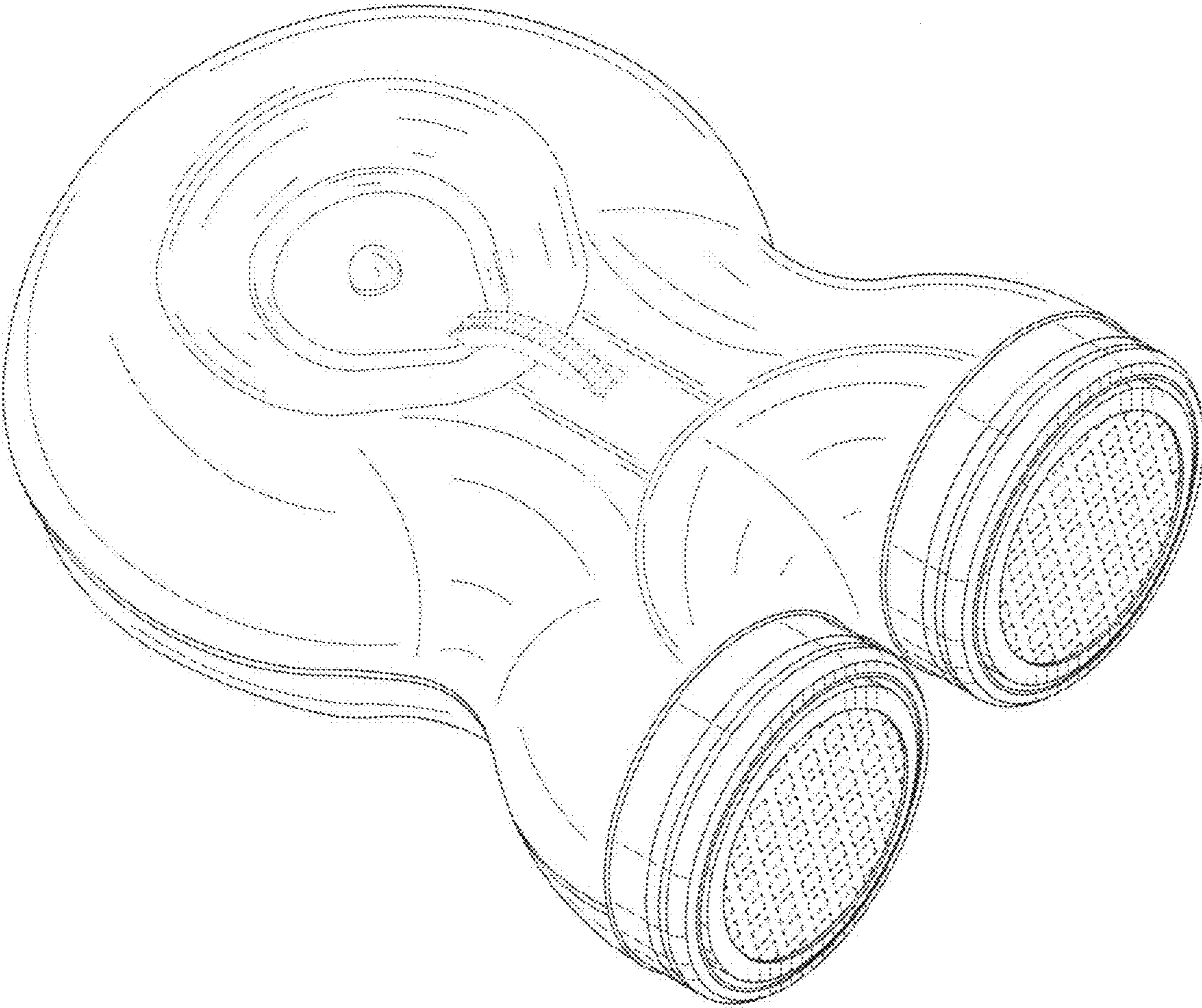
FIG. 5 is a back view of the stimulator; and,

FIG. 6 is a side view of the stimulator.

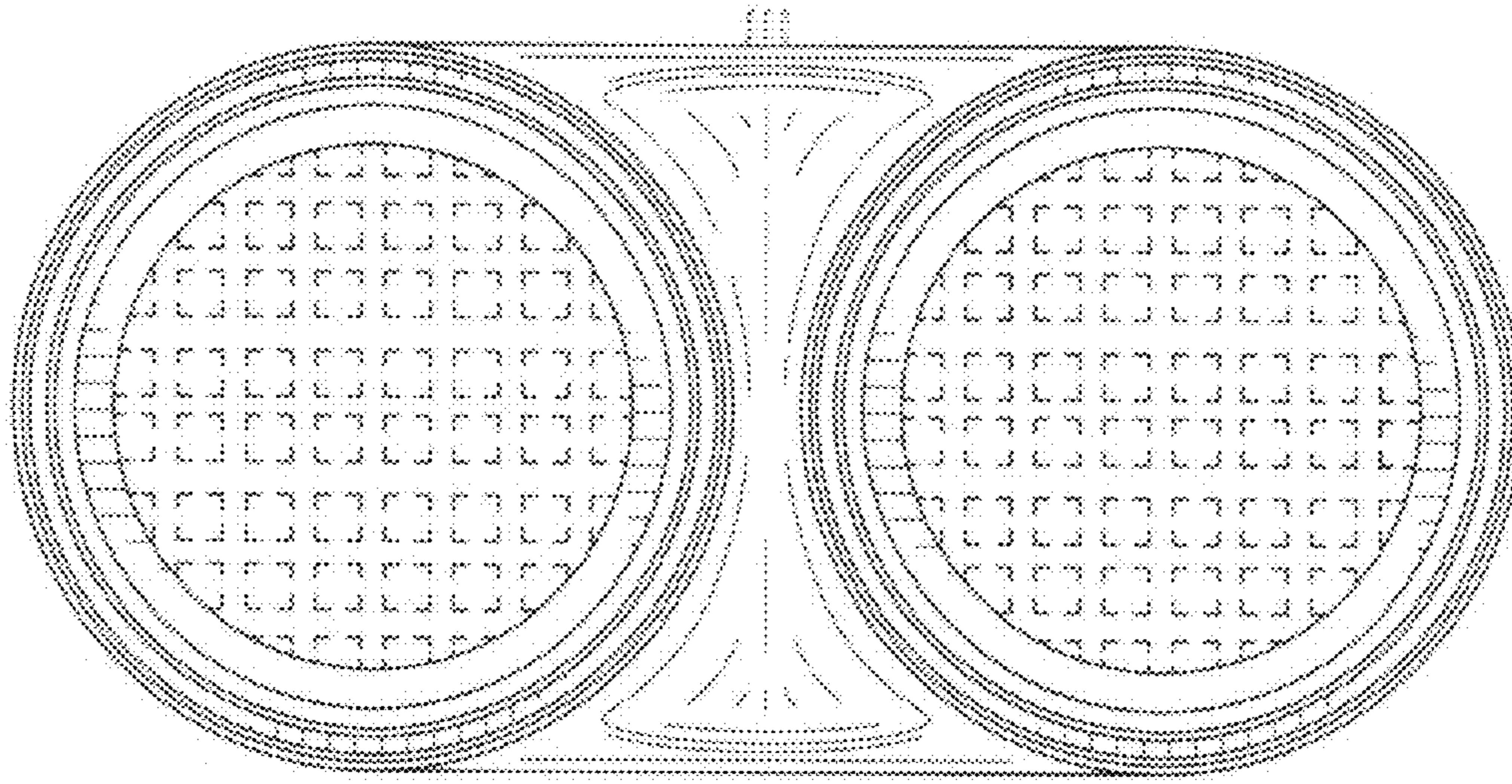
The broken lines shown in the drawings are for illustrative purposes only and form no part of the claimed design.

**1 Claim, 5 Drawing Sheets**

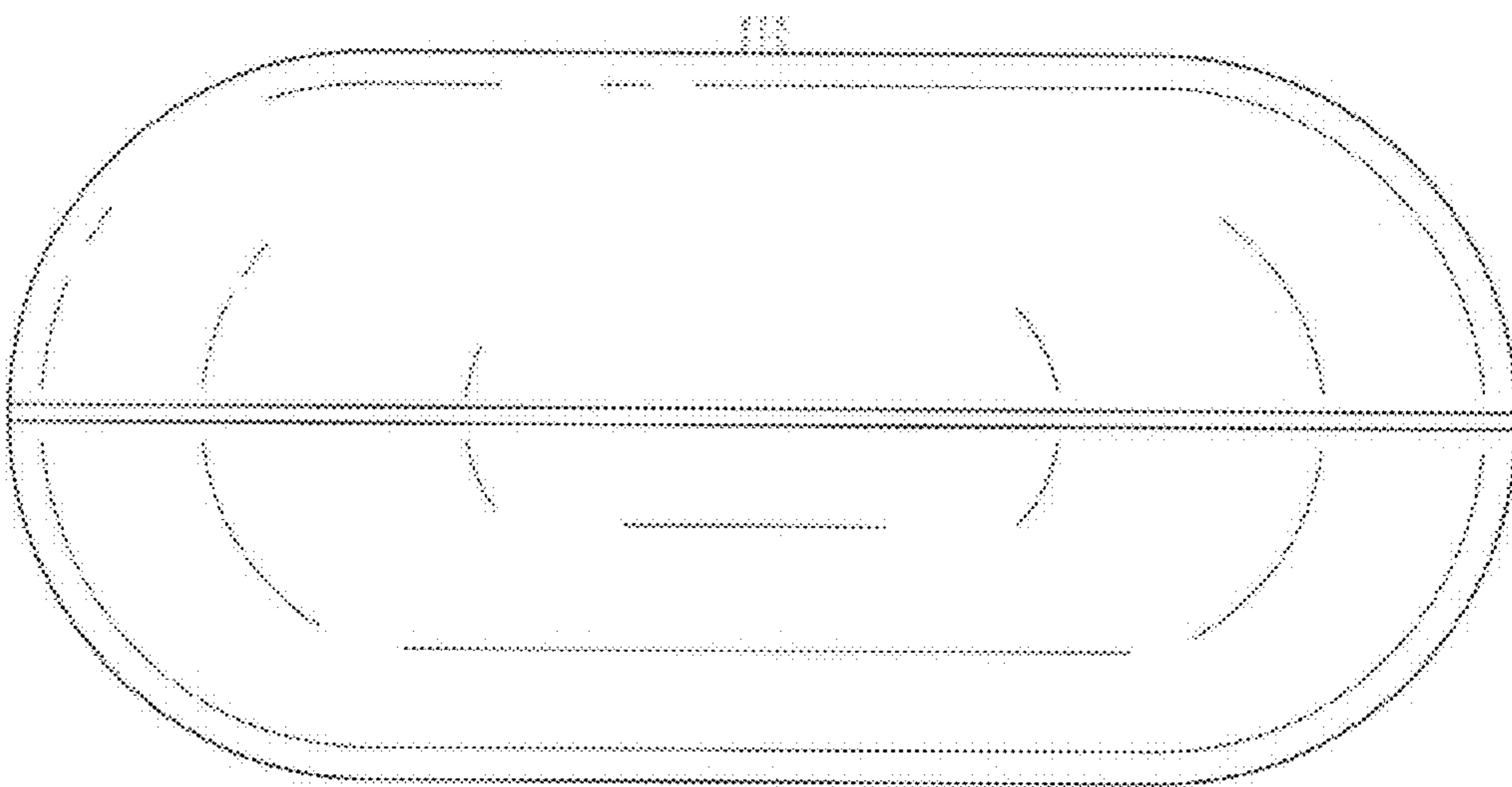




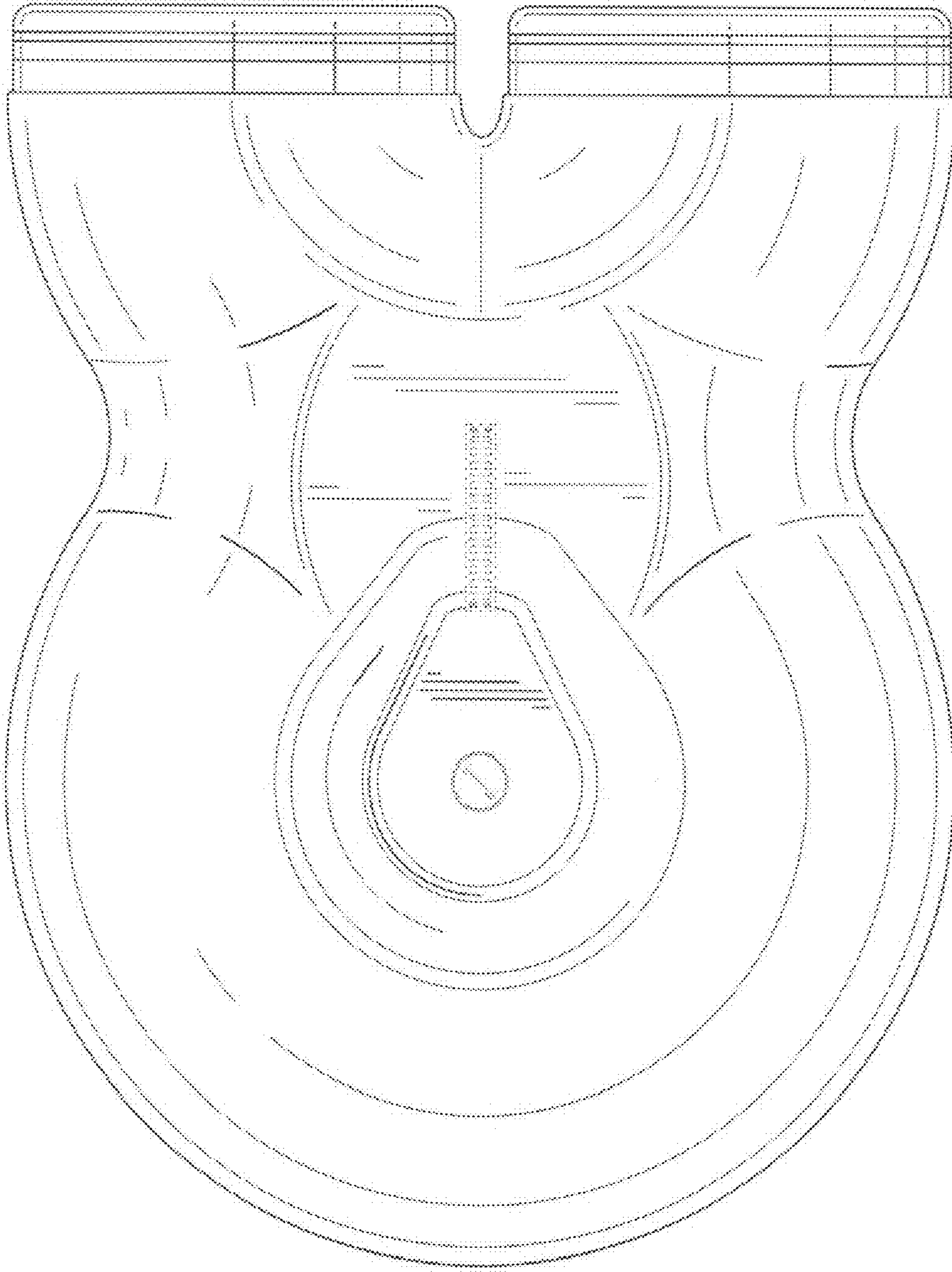
**FIG. 1**



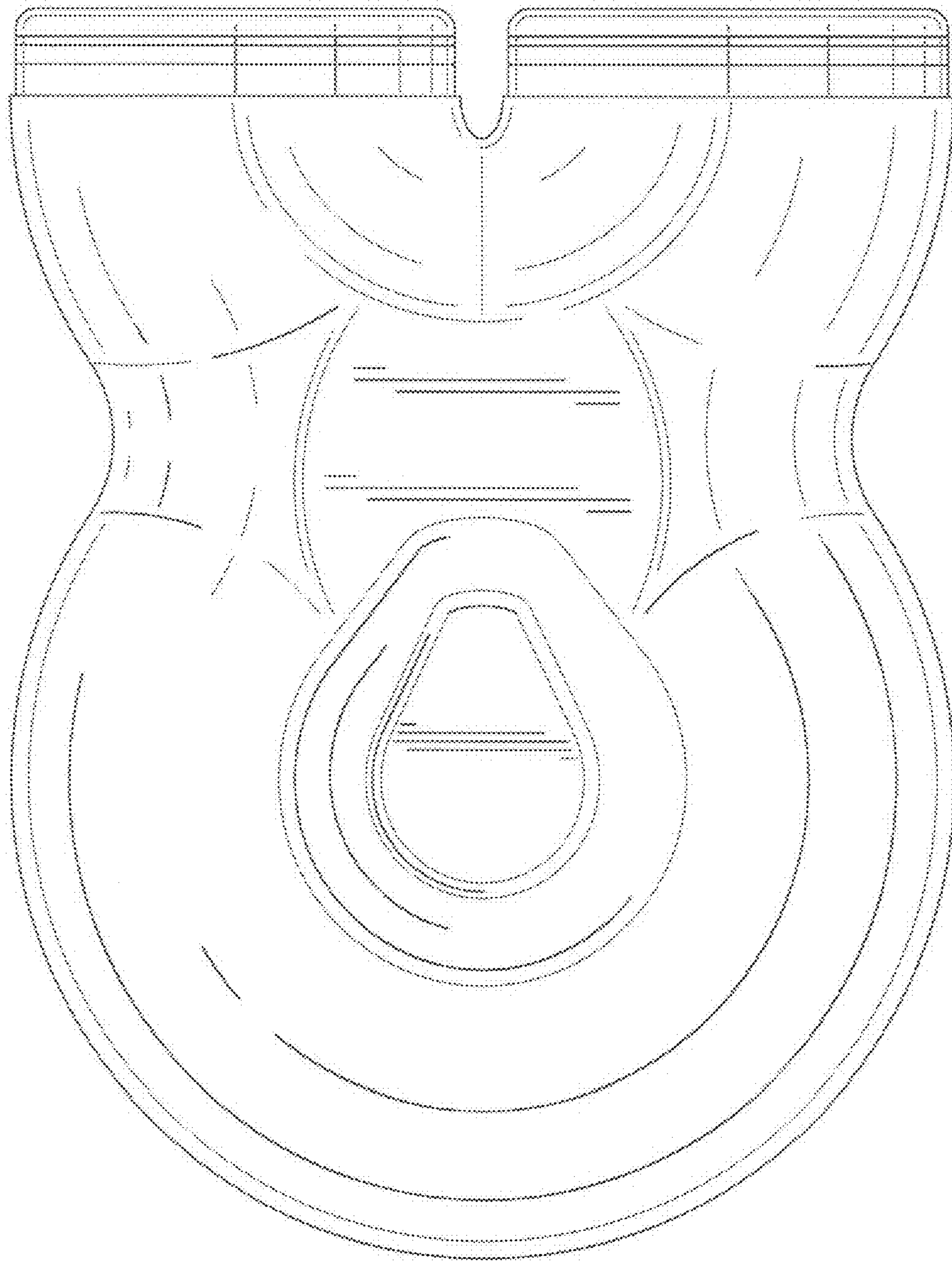
**FIG. 2**



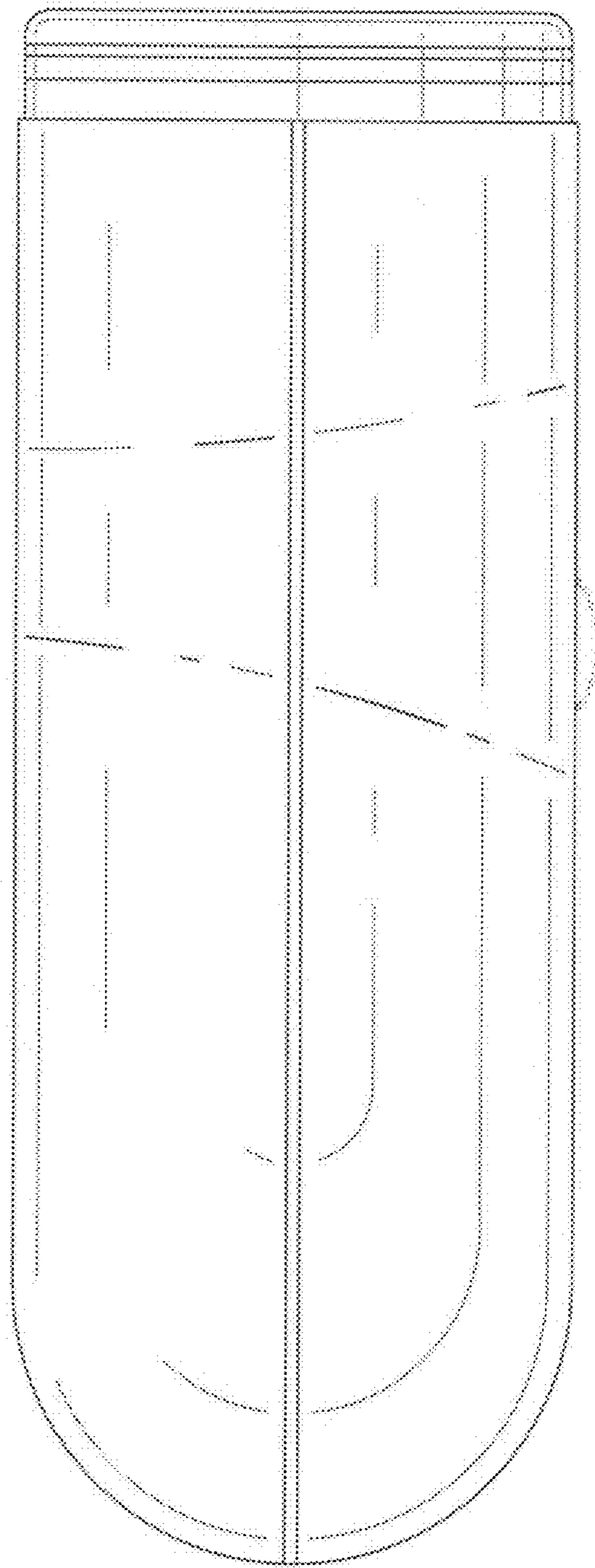
**FIG. 3**



**FIG. 4**



**FIG. 5**



**FIG. 6**