

US00D669187S

(12) **United States Design Patent**  
**Gozani**

(10) **Patent No.:** **US D669,187 S**

(45) **Date of Patent:** **\*\* Oct. 16, 2012**

(54) **BIOELECTRODE**

(75) Inventor: **Shai N. Gozani**, Brookline, MA (US)

(73) Assignee: **NeuroMetrix, Inc.**, Waltham, MA (US)

(\*\*) Term: **14 Years**

(21) Appl. No.: **29/379,414**

(22) Filed: **Nov. 19, 2010**

(51) **LOC (9) Cl.** ..... **24-02**

(52) **U.S. Cl.** ..... **D24/187**

(58) **Field of Classification Search** ..... D24/168,  
D24/186-187, 200, 232; D13/182; 600/372-384,  
600/391-393; 607/62, 109, 121, 139  
See application file for complete search history.

(56) **References Cited**

**U.S. PATENT DOCUMENTS**

4,957,109	A *	9/1990	Groeger et al.	.....	600/391
D425,203	S *	5/2000	Sheehan et al.	.....	D24/187
D443,063	S *	5/2001	Pisani et al.	.....	D24/187
D492,782	S *	7/2004	Faller et al.	.....	D24/167
6,847,836	B1 *	1/2005	Sujdak	.....	600/393
D501,558	S *	2/2005	Chastain et al.	.....	D24/187
D505,206	S *	5/2005	Chastain et al.	.....	D24/187
D524,943	S *	7/2006	Faller et al.	.....	D24/167
D541,421	S *	4/2007	Metzger et al.	.....	D24/187

D598,114	S *	8/2009	Cryan	.....	D24/187
D600,352	S *	9/2009	Cryan	.....	D24/187
D609,353	S *	2/2010	Cryan	.....	D24/187

\* cited by examiner

*Primary Examiner* — Chase Nelson

*Assistant Examiner* — Mark Cavanna

(74) *Attorney, Agent, or Firm* — Pandiscio & Pandiscio

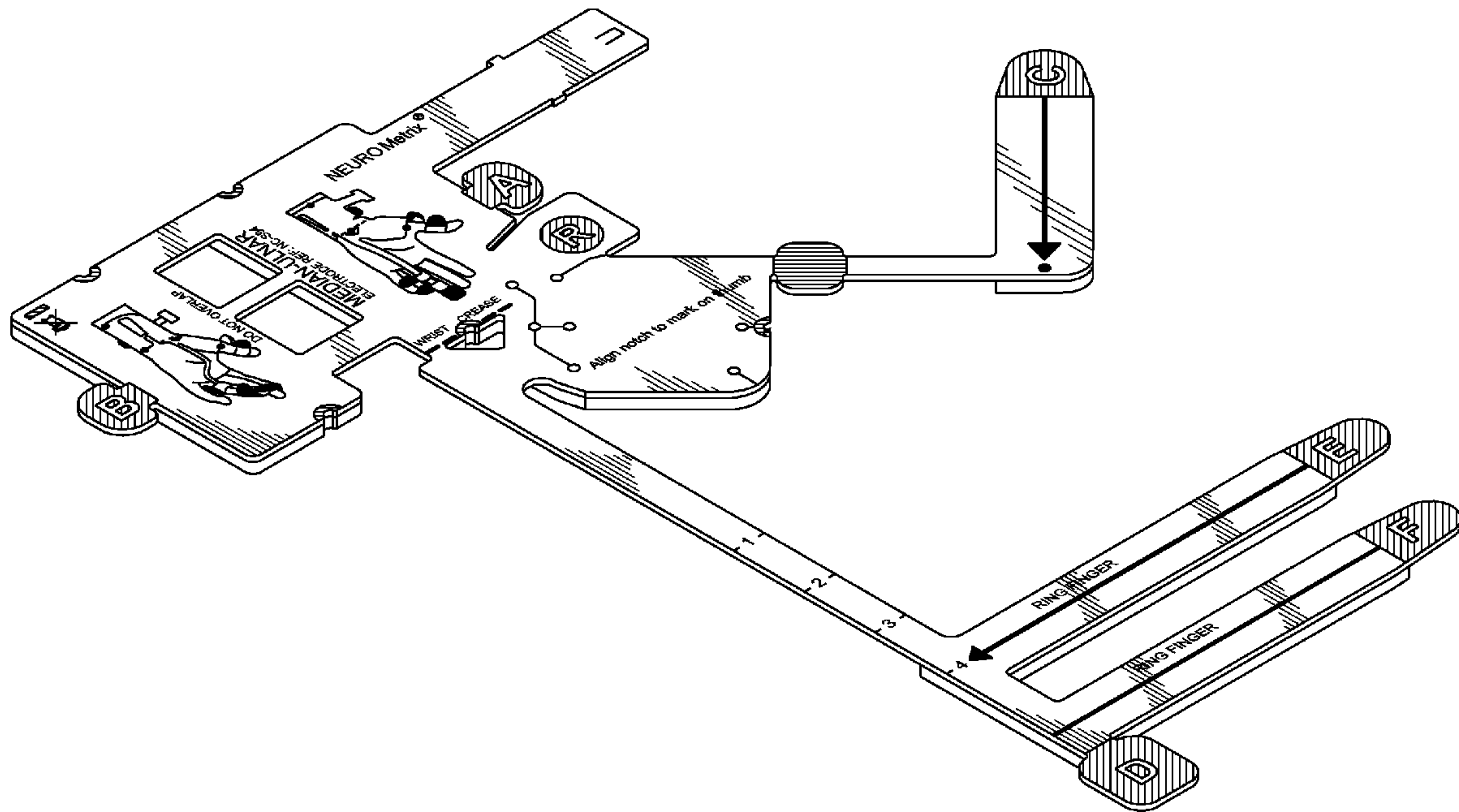
(57) **CLAIM**

The ornamental design for a bioelectrode, as shown and described

**DESCRIPTION**

FIG. 1 is a perspective view of the bioelectrode;  
 FIG. 2 is a front view of the bioelectrode, taken from the frame of reference of FIG. 1;  
 FIG. 3 is a rear view of the bioelectrode, taken from the frame of reference of FIG. 1;  
 FIG. 4 is a right side view, in elevation, of the bioelectrode, taken from the frame of reference of FIG. 2;  
 FIG. 5 is a left side view, in elevation, of the bioelectrode, taken from the frame of reference of FIG. 2;  
 FIG. 6 is a top end view, in elevation, of the bioelectrode, taken from the frame of reference of FIG. 2; and,  
 FIG. 7 is a bottom end view, in elevation, of the bioelectrode, taken from the frame of reference of FIG. 2.

**1 Claim, 5 Drawing Sheets**



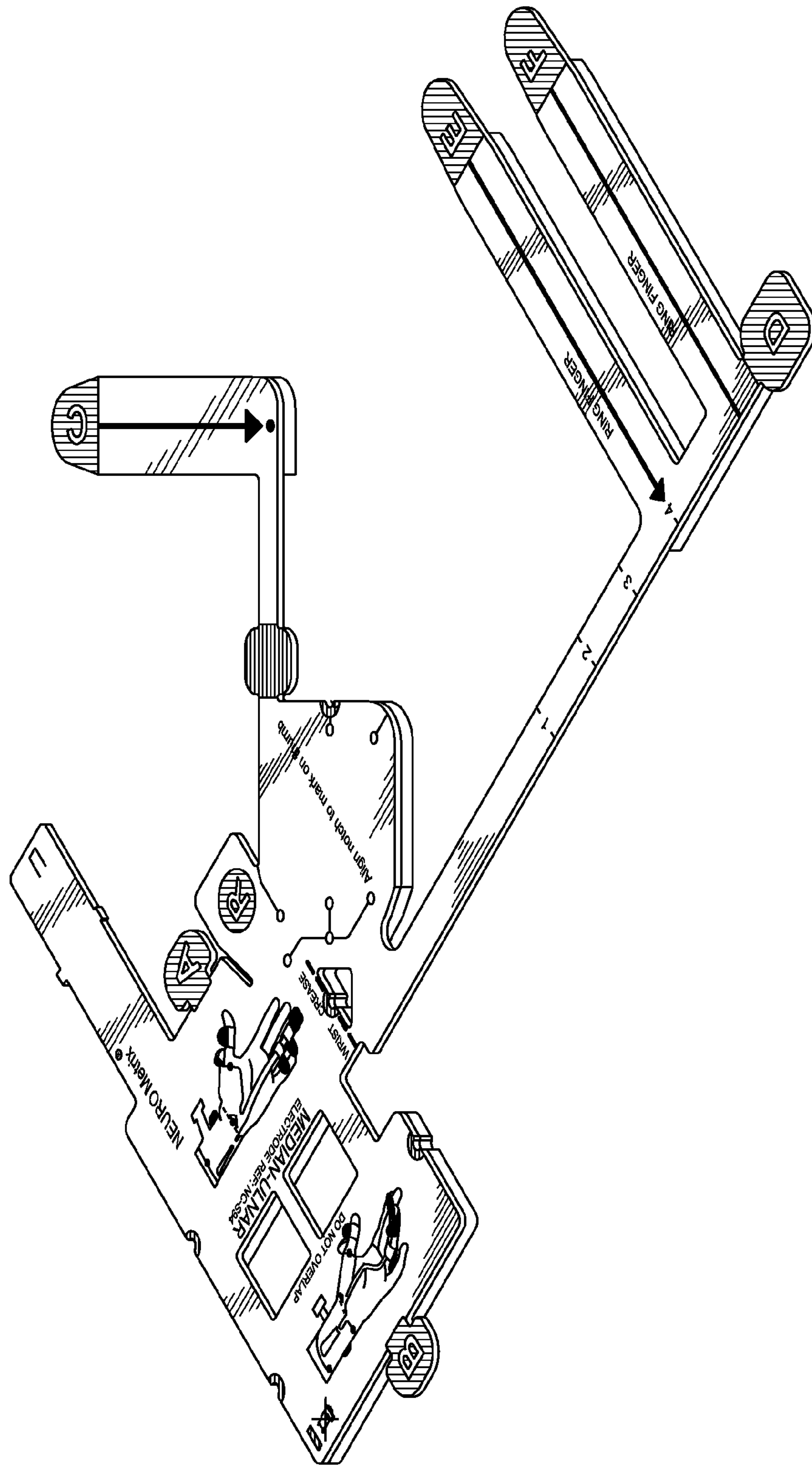


FIG. 1

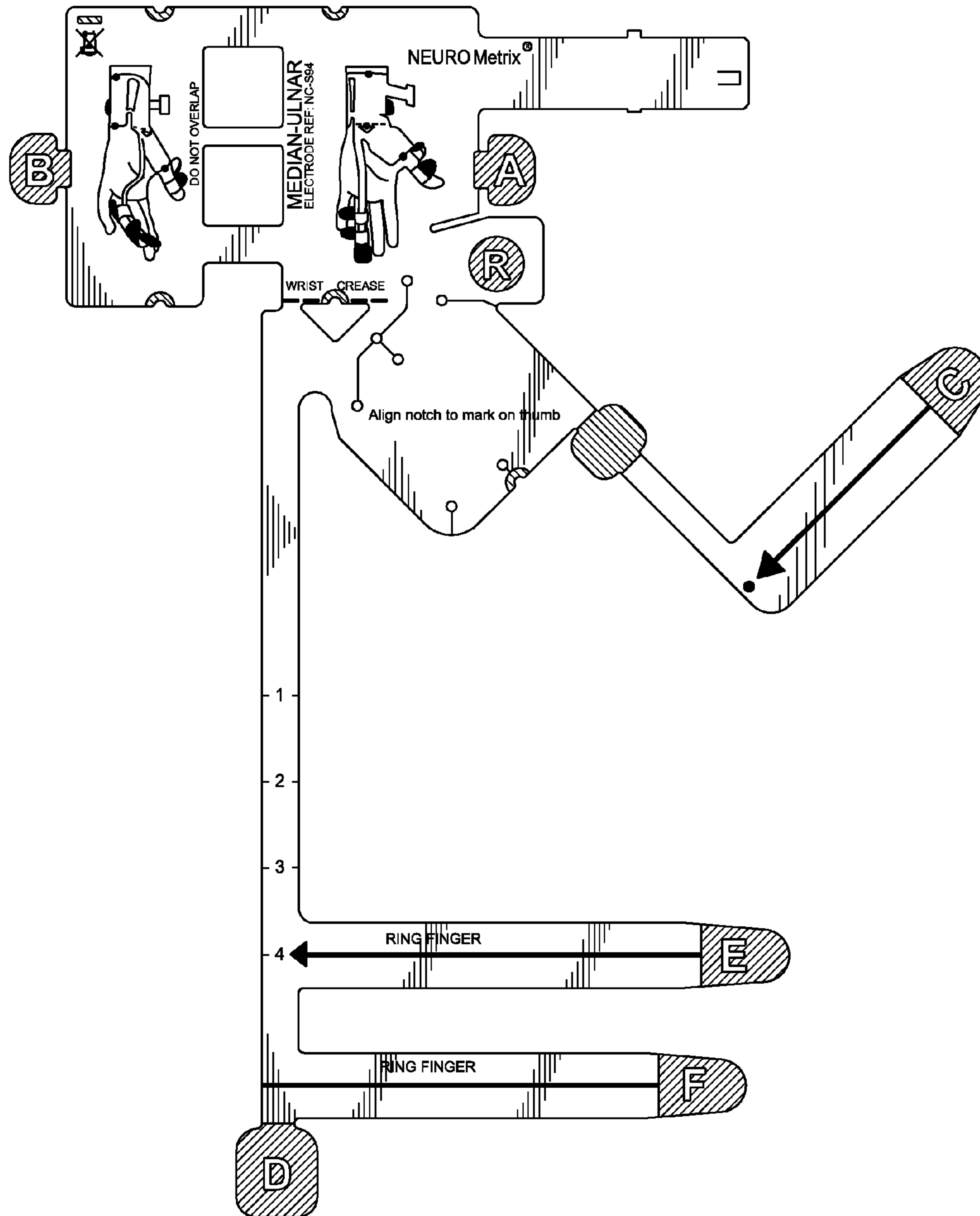


FIG. 2

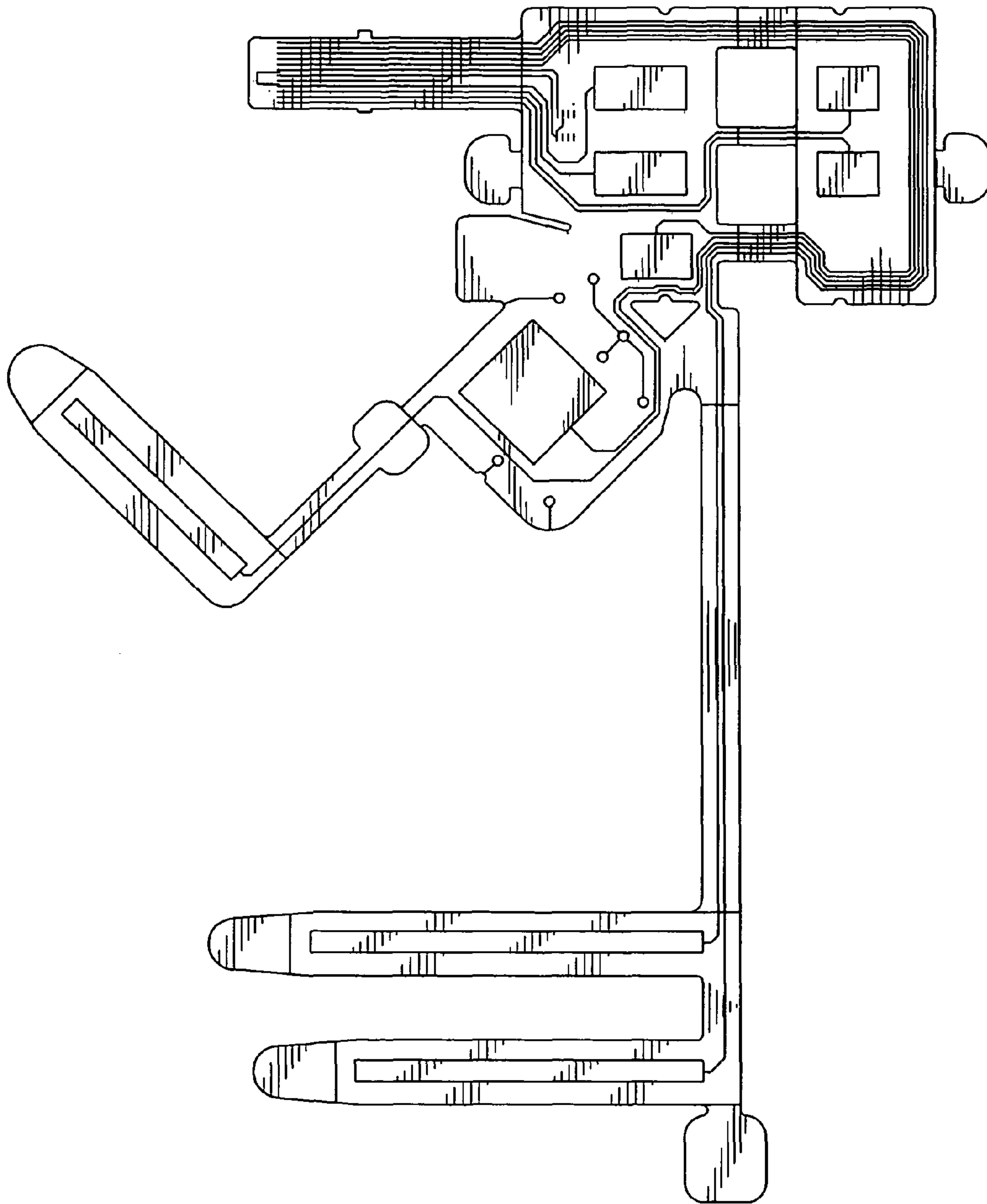


FIG. 3

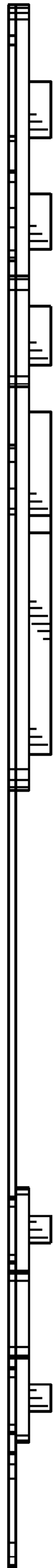


FIG. 4

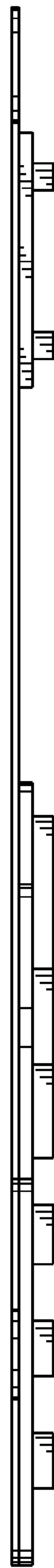


FIG. 5



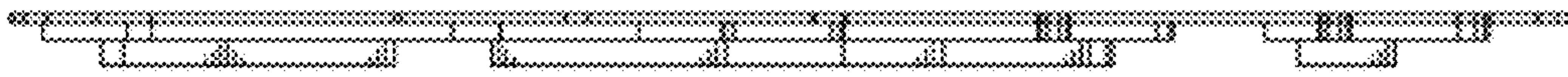


FIG. 6



FIG. 7