



US00D669185S

(12) **United States Design Patent**
Schmid

(10) **Patent No.:** **US D669,185 S**
(45) **Date of Patent:** **** Oct. 16, 2012**

(54) **MEDICAL DEVICE FOR
EXTRA-CORPOREAL HEART AND/OR LUNG
SUPPORT**

(75) Inventor: **Jürgen Reiner Schmid**, Ammerbuch
(DE)

(73) Assignee: **Maquet Cardiopulmonary AG**,
Hirrlingen (DE)

(**) Term: **14 Years**

(21) Appl. No.: **29/350,147**

(22) Filed: **Nov. 12, 2009**

(51) **LOC (9) Cl.** **24-01**

(52) **U.S. Cl.** **D24/186**

(58) **Field of Classification Search** D24/164-169,
D24/185-186, 107, 111; D10/98; 600/301,
600/481, 483-485, 490, 493-495, 499, 500,
600/501, 503, 510; 128/900; 607/4-7, 10,
607/26; 422/45

See application file for complete search history.

(56) **References Cited**

U.S. PATENT DOCUMENTS

4,610,656	A *	9/1986	Mortensen	604/6.14
D309,011	S *	7/1990	Arioka et al.	D24/164
D422,695	S *	4/2000	van Engelen et al.	D24/107
D475,137	S *	5/2003	Manke et al.	D24/165
D491,270	S *	6/2004	Barker	D24/186

(Continued)

Primary Examiner — T. Chase Nelson

Assistant Examiner — Mark Cavanna

(74) *Attorney, Agent, or Firm* — McCormick, Paulding &
Huber LLP

(57) **CLAIM**

The ornamental design for a medical device for extra-corporeal heart and/or lung support, substantially as shown and described.

DESCRIPTION

FIG. 1 is a front view of a medical device for extra-corporeal heart and/or lung support comprising a new, original and ornamental design;

FIG. 2 is a rear view of the medical device for extra-corporeal heart and/or lung support comprising the new, original and ornamental design;

FIG. 3 is a left-hand side view of the medical device for extra-corporeal heart and/or lung support comprising the new, original and ornamental design;

FIG. 4 is a right-hand side view of the medical device for extra-corporeal heart and/or lung support comprising the new, original and ornamental design;

FIG. 5 is a top view of the medical device for extra-corporeal heart and/or lung support comprising the new, original and ornamental design;

FIG. 6 is a bottom view of the medical device for extra-corporeal heart and/or lung support comprising the new, original and ornamental design;

FIG. 7 is a top, front, right-hand side perspective view of the medical device for extra-corporeal heart and/or lung support comprising the new, original and ornamental design;

FIG. 8 is a front view of a medical device for extra-corporeal heart and/or lung support, with a protection bail shown in an extended position, comprising a new, original and ornamental design;

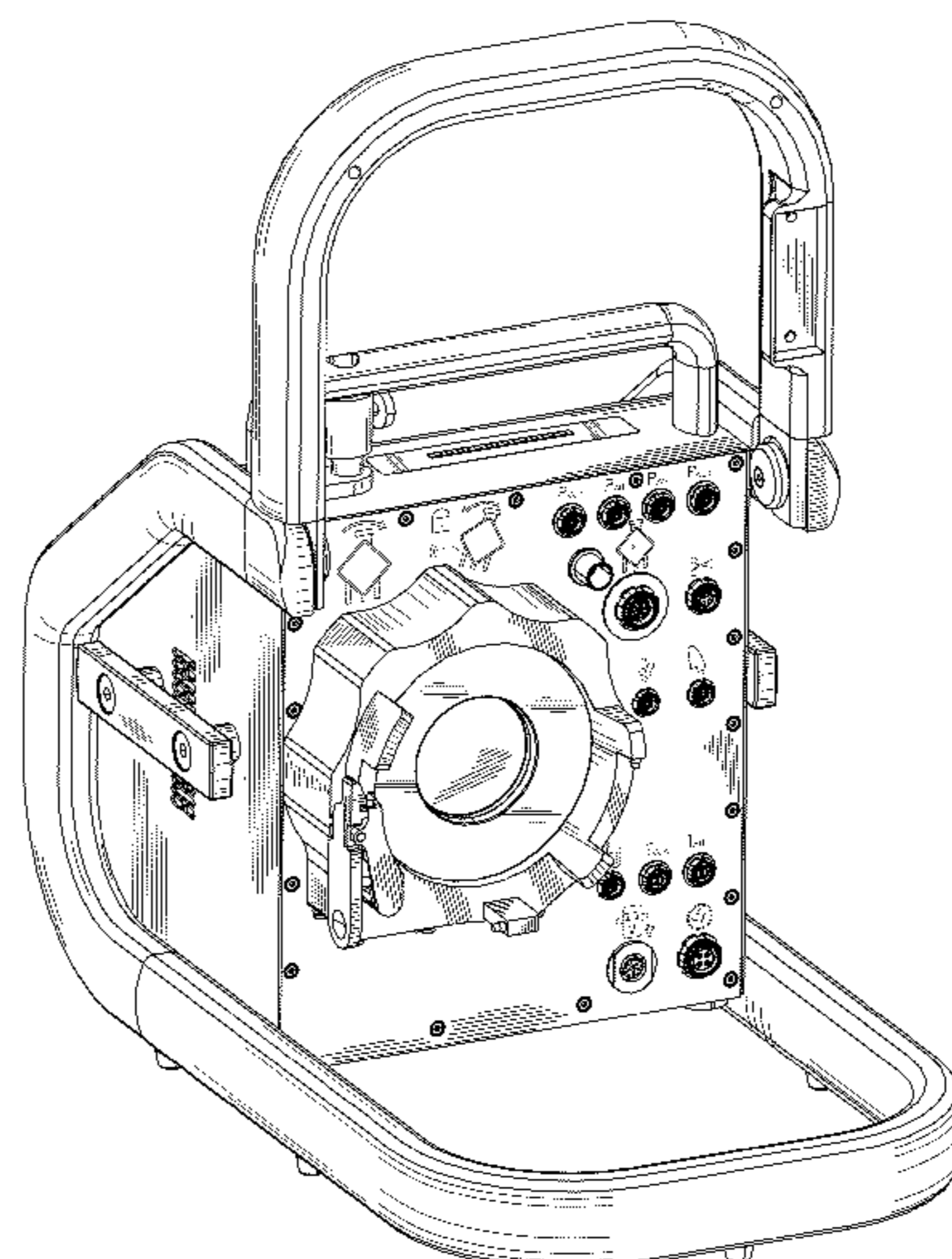
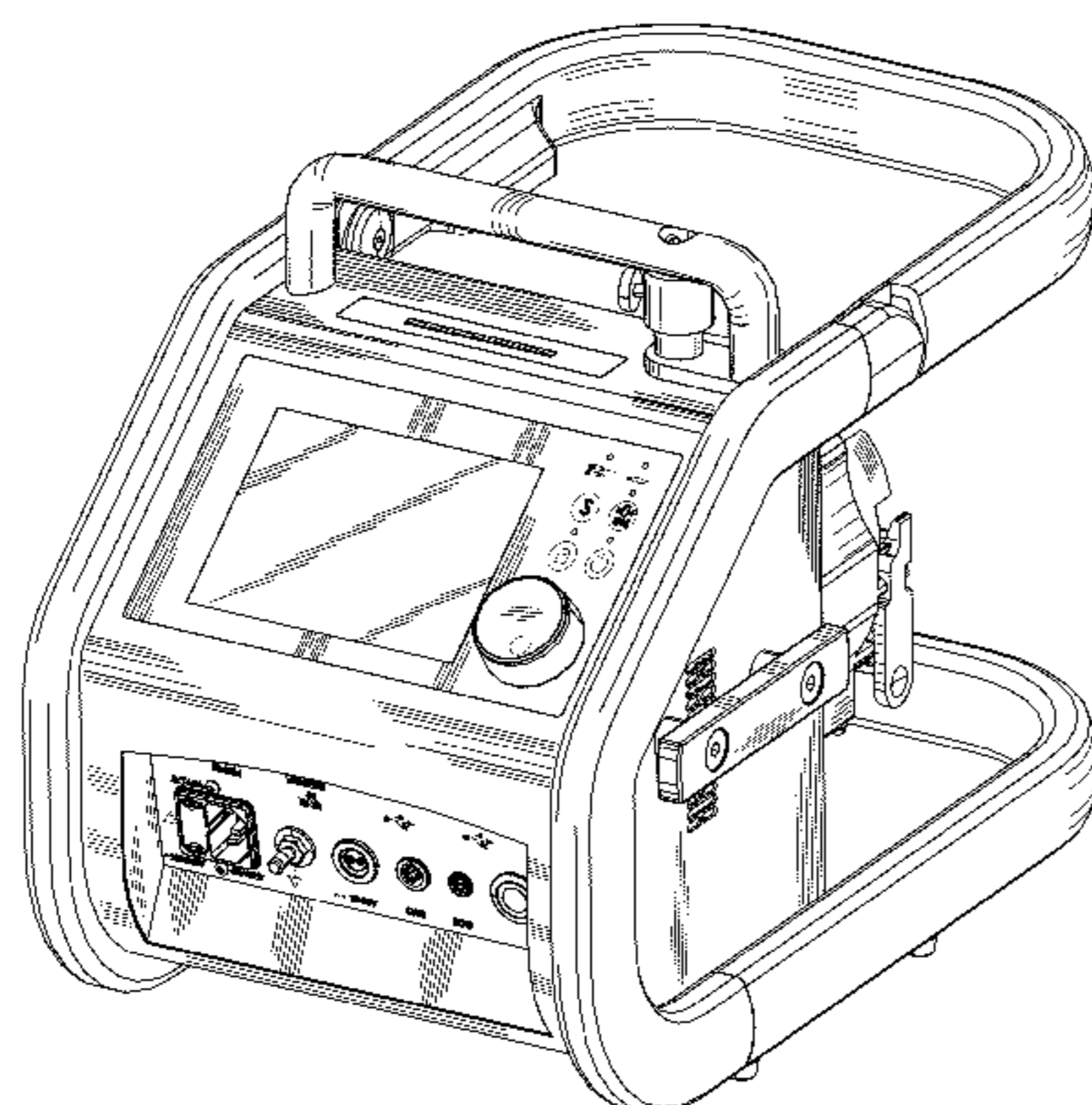
FIG. 9 is a top, front, right-hand side perspective view of the medical device for extra-corporeal heart and/or lung support, with the protection bail shown in an extended position, comprising the new, original and ornamental design;

FIG. 10 is a top, rear, right-hand side perspective view of the medical device for extra-corporeal heart and/or lung support, with the protection bail shown in an extended position, comprising the new, original and ornamental design; and,

FIG. 11 a top, rear, left-hand side perspective view of a medical device for extra-corporeal heart and/or lung support, with the protection bail shown in an extended position and with the addition of broken line environmental structure in the form of a module shown.

The broken lines are included for the purpose of illustrating portions of the medical device for extra-corporeal heart and/or lung support that forms no part of the claimed design.

1 Claim, 10 Drawing Sheets



US D669,185 S

Page 2

U.S. PATENT DOCUMENTS

D512,151	S	*	11/2005	Ward et al.	D24/111				
D536,794	S	*	2/2007	Knieriem et al.	D24/186				
D536,795	S	*	2/2007	Knieriem et al.	D24/186				
7,238,320	B2	*	7/2007	Ghelli et al.	422/45				
D552,741	S	*	10/2007	Zhou et al.	D24/186				
D554,263	S	*	10/2007	Al-Ali et al.	D24/186				
D600,814	S	*	9/2009	Lathrop et al.	D24/186				
D621,511	S	*	8/2010	Lathrop et al.	D24/167				
D635,681	S	*	4/2011	Edwards et al.	D24/186				

* cited by examiner

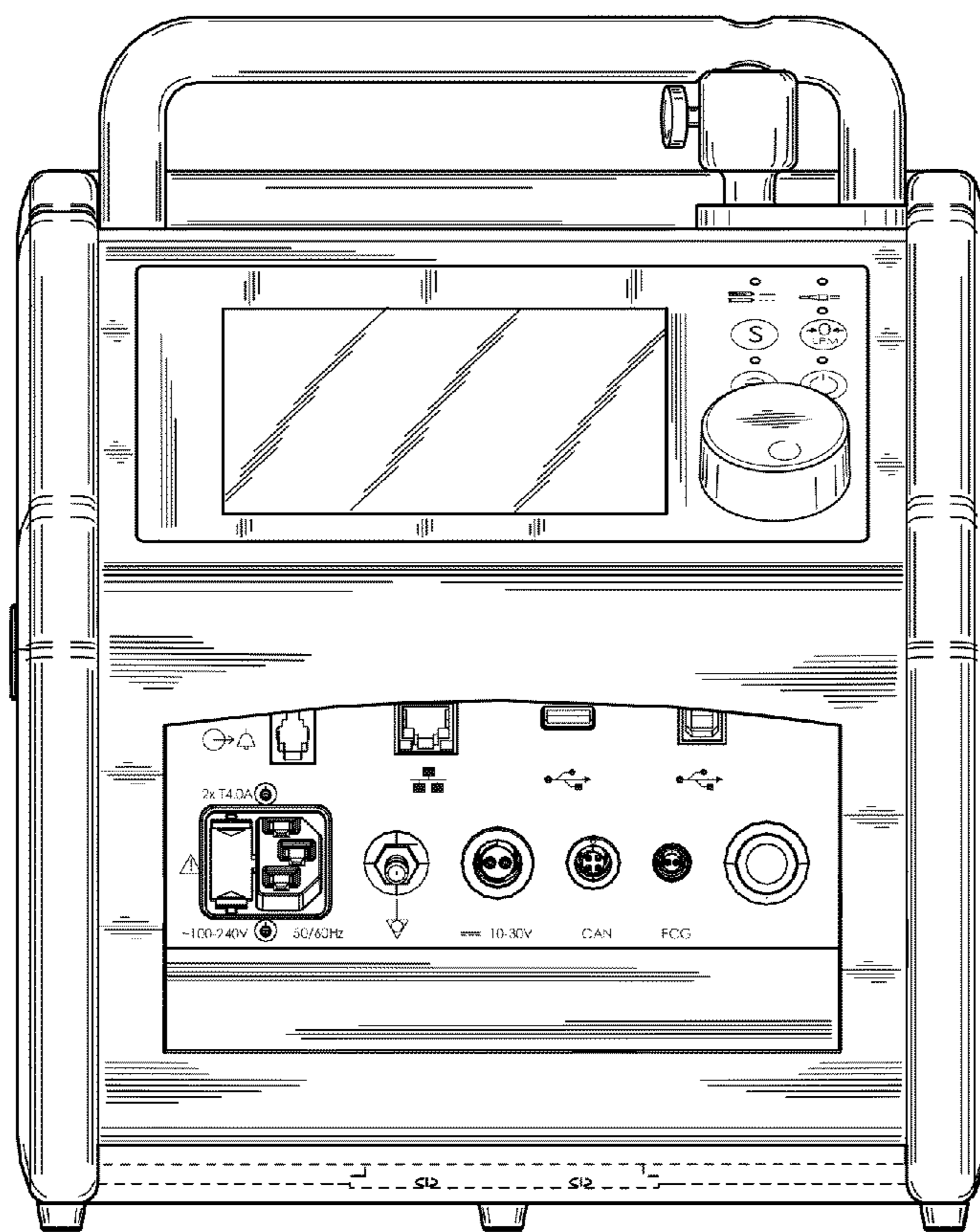


FIG. 1

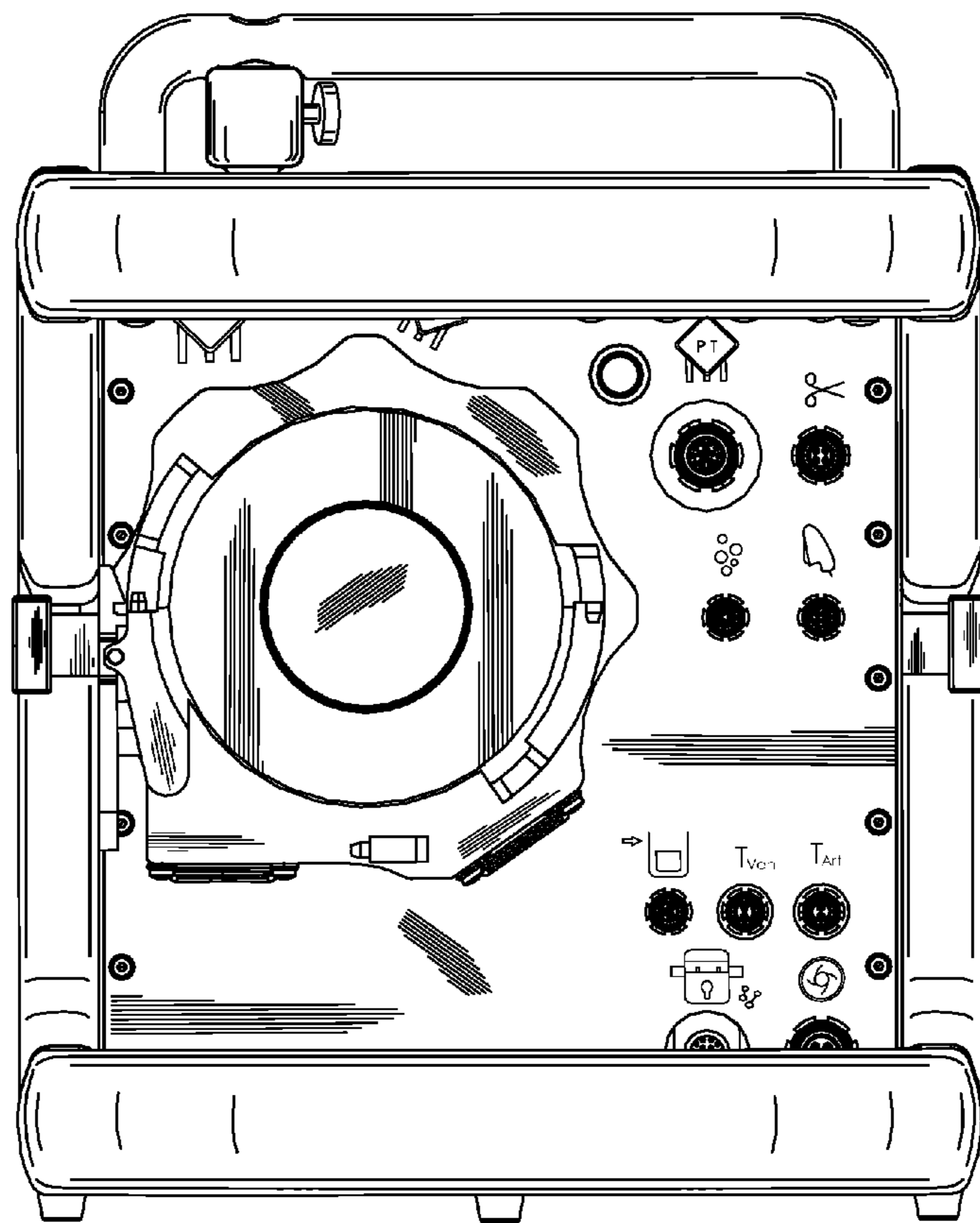


FIG. 2

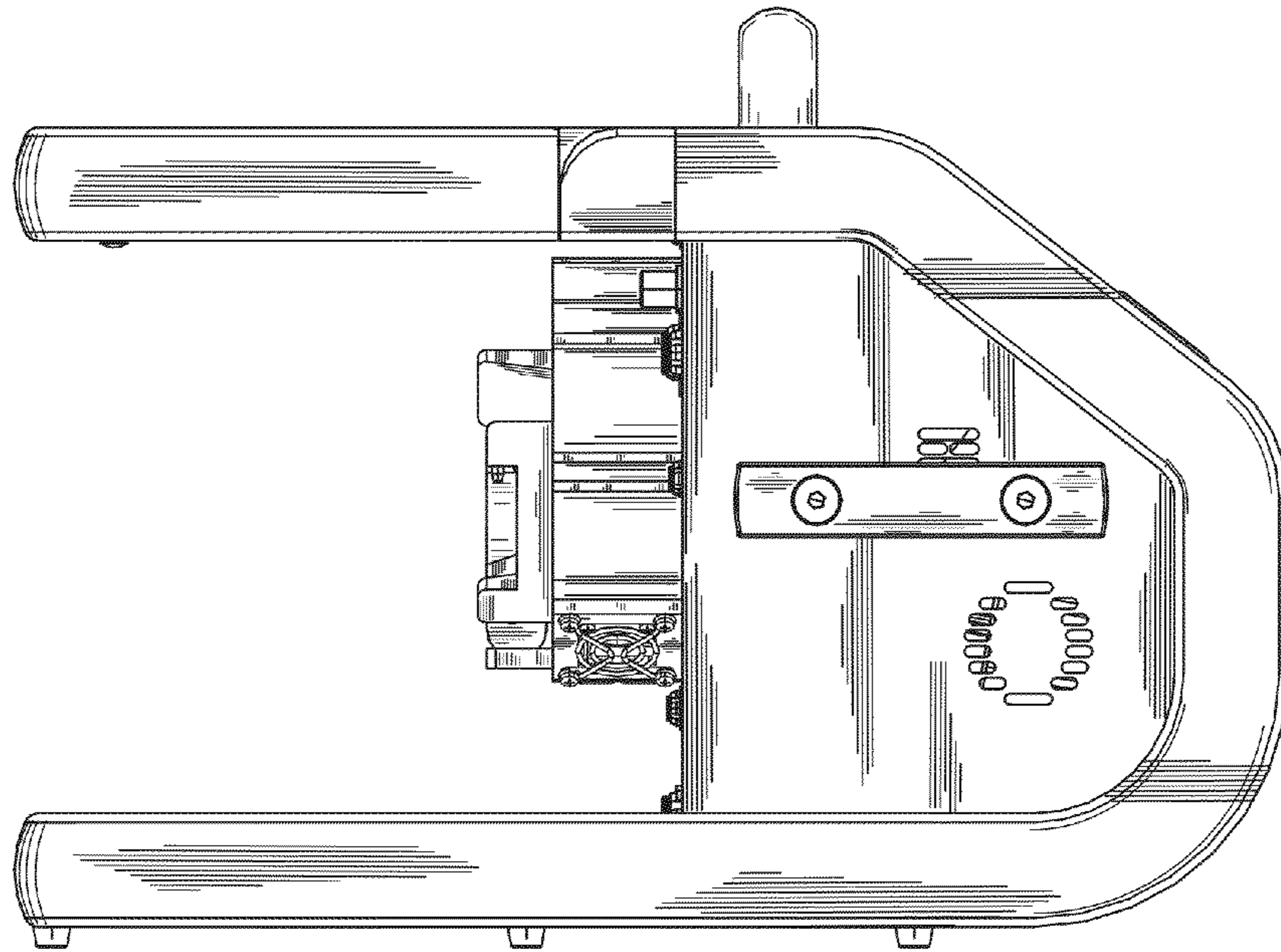


FIG. 3

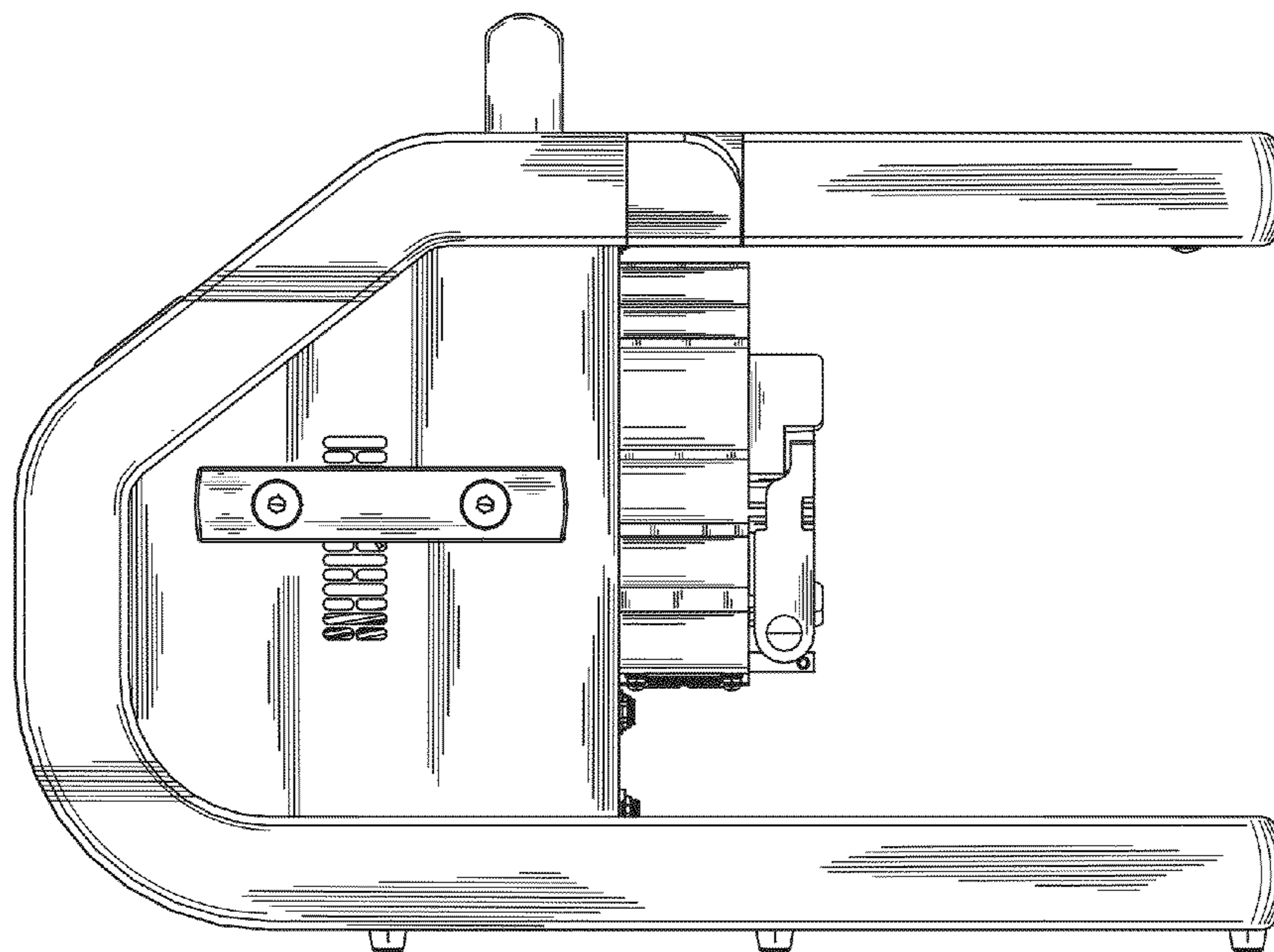


FIG. 4

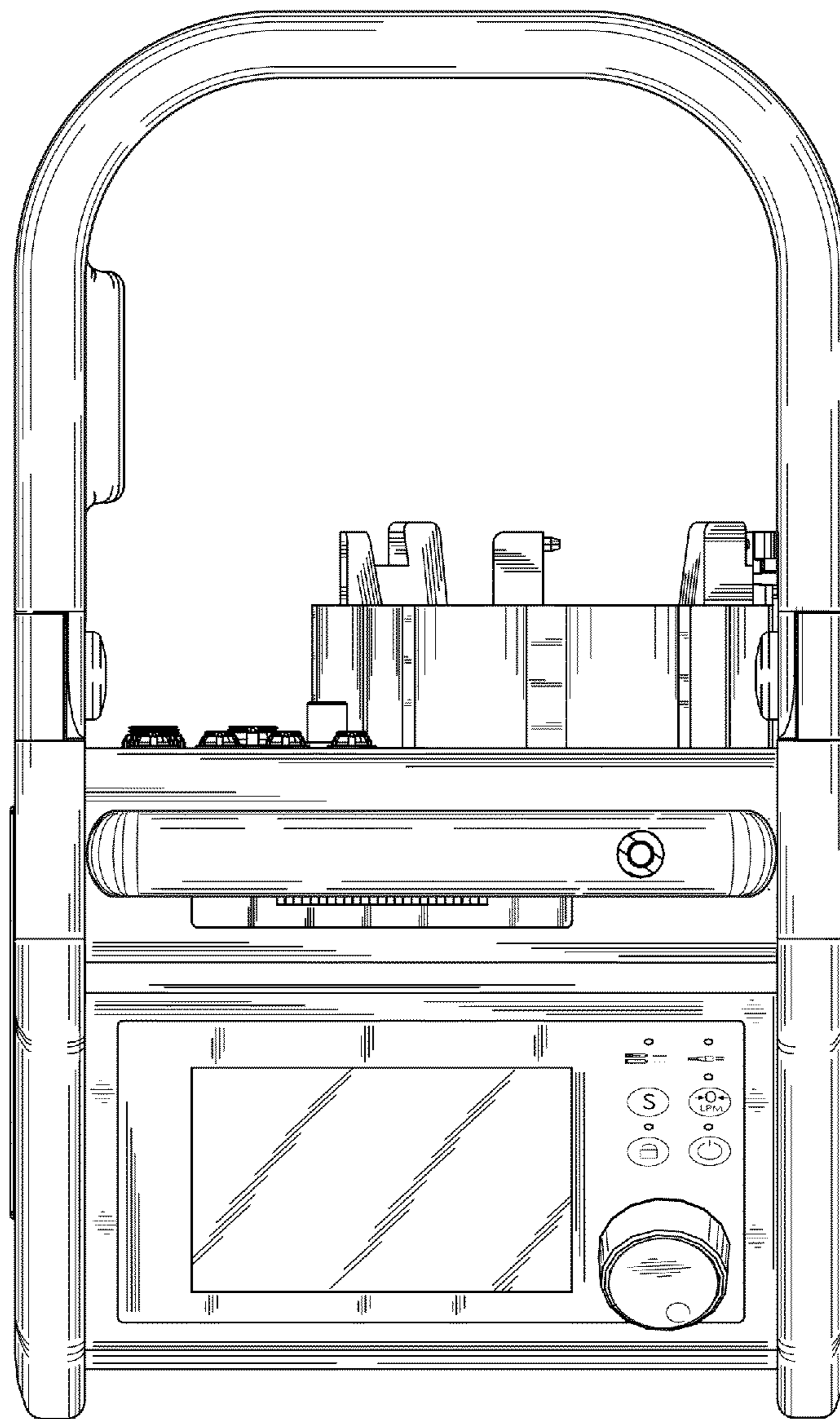


FIG. 5

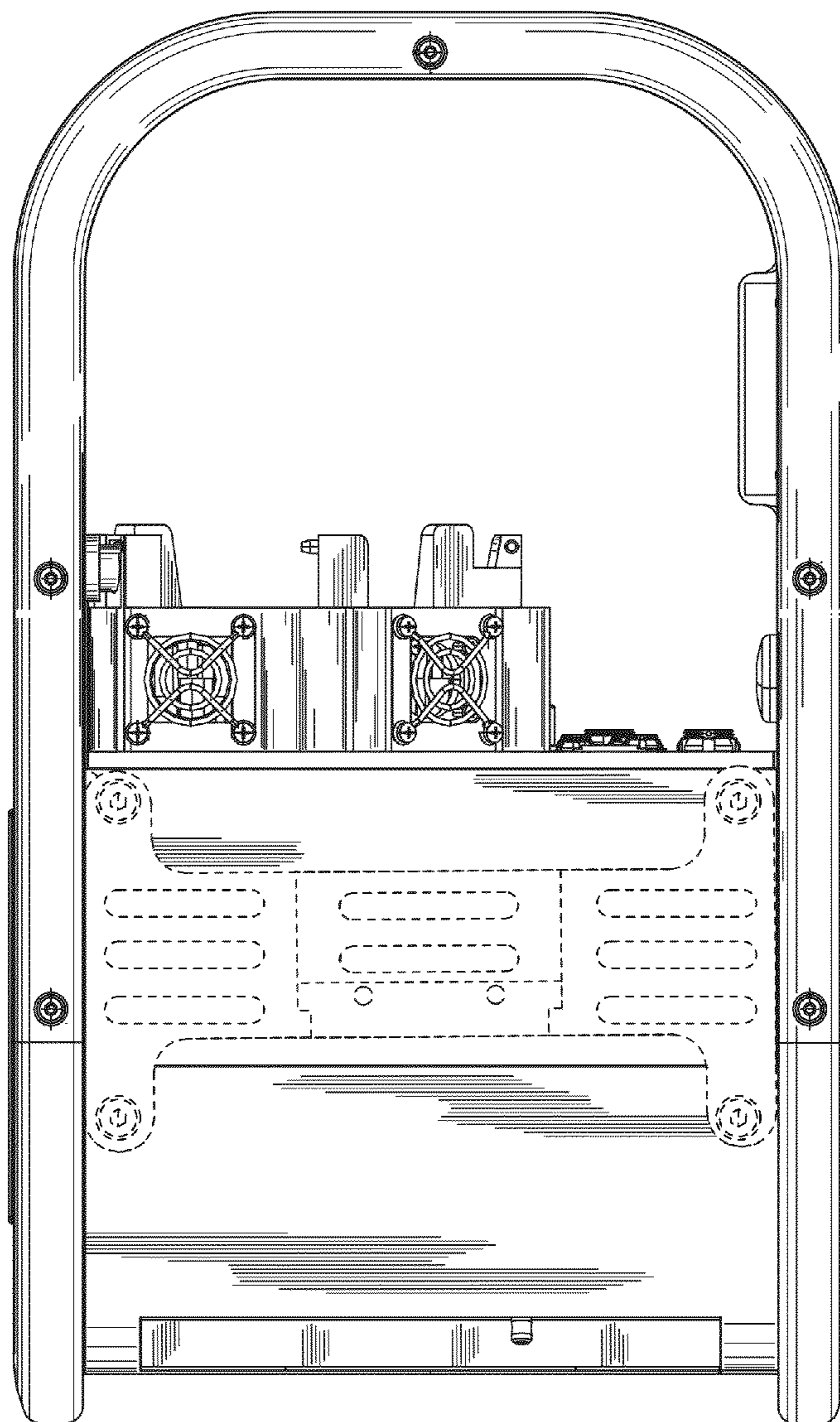


FIG. 6

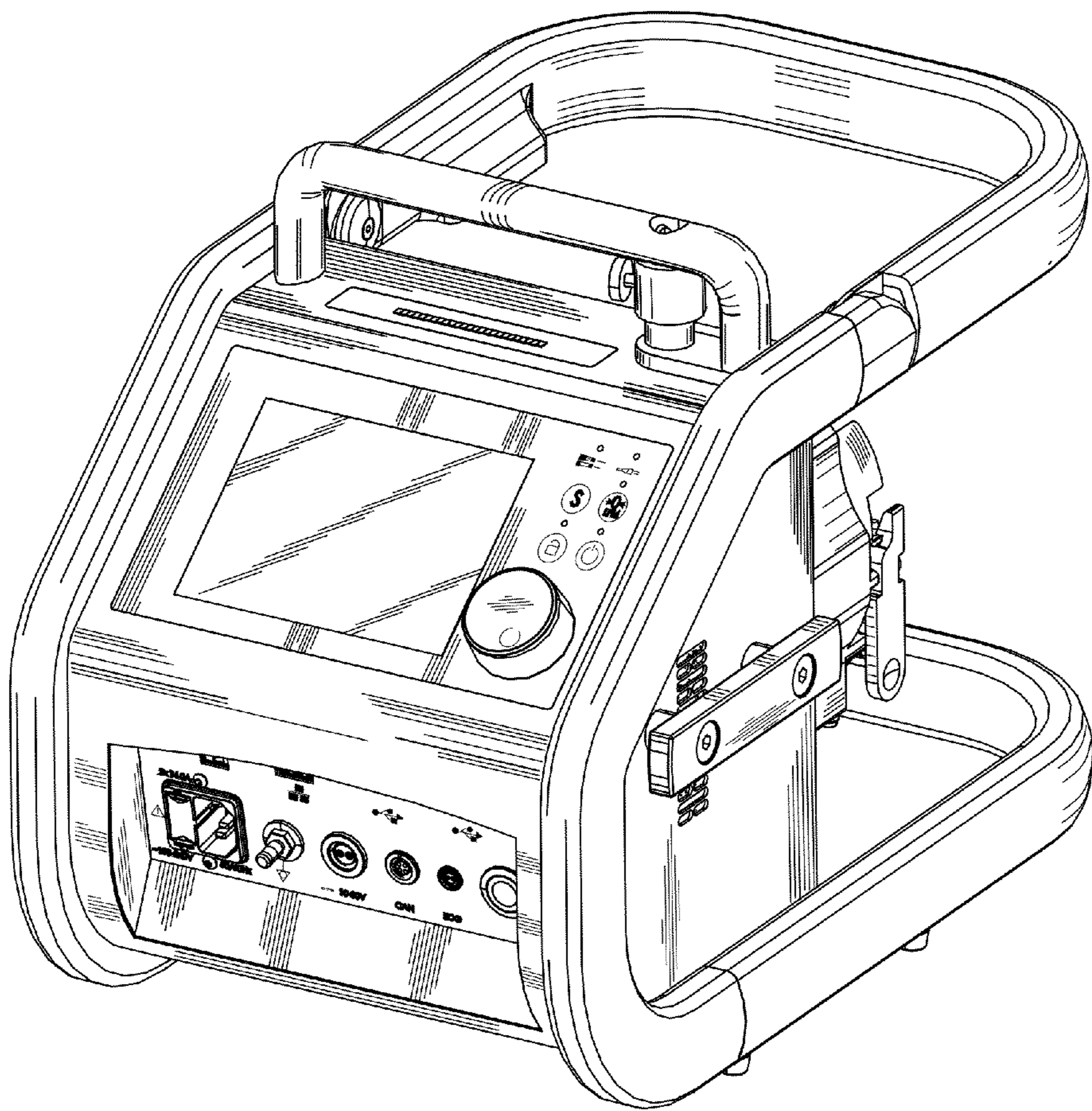


FIG. 7

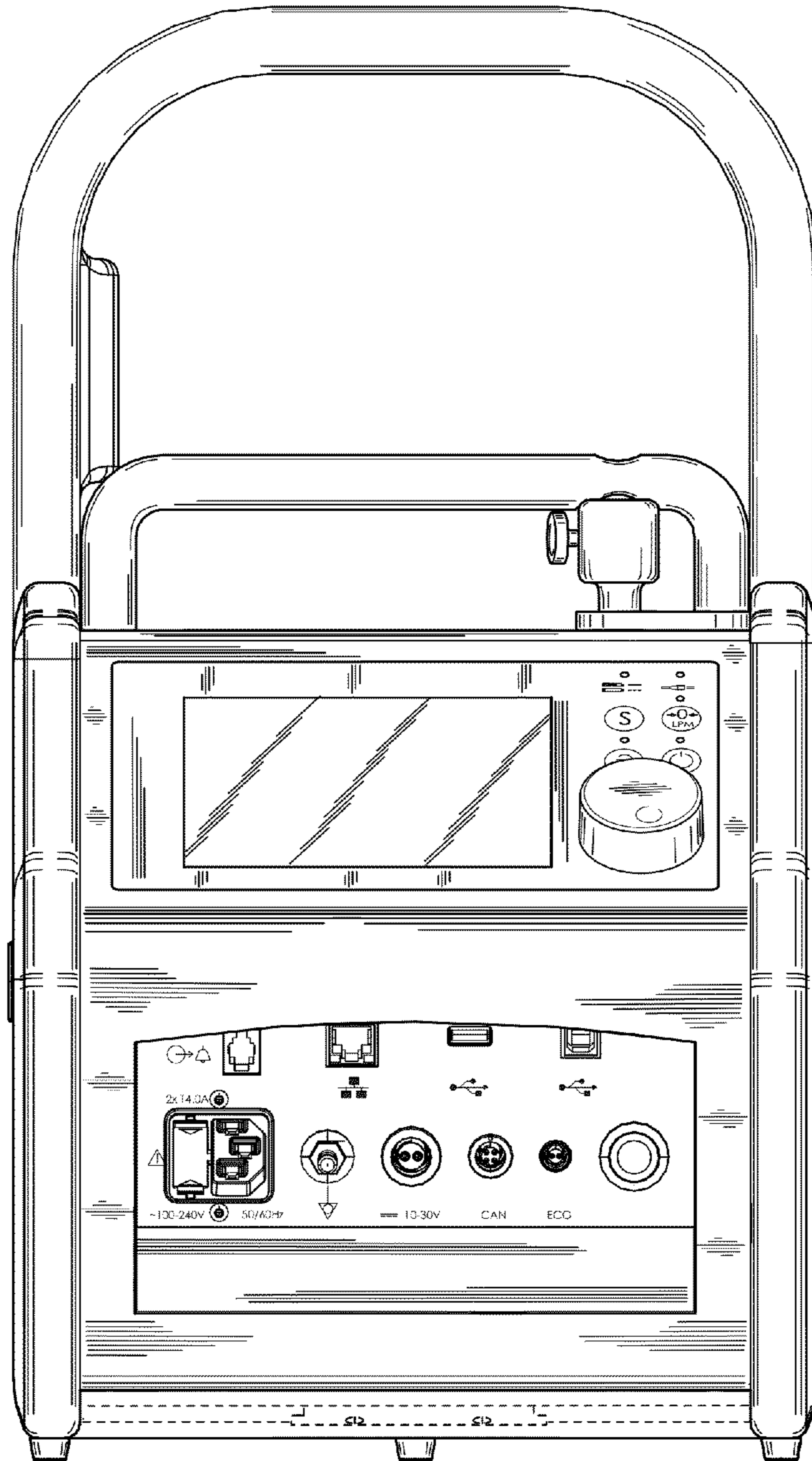


FIG. 8

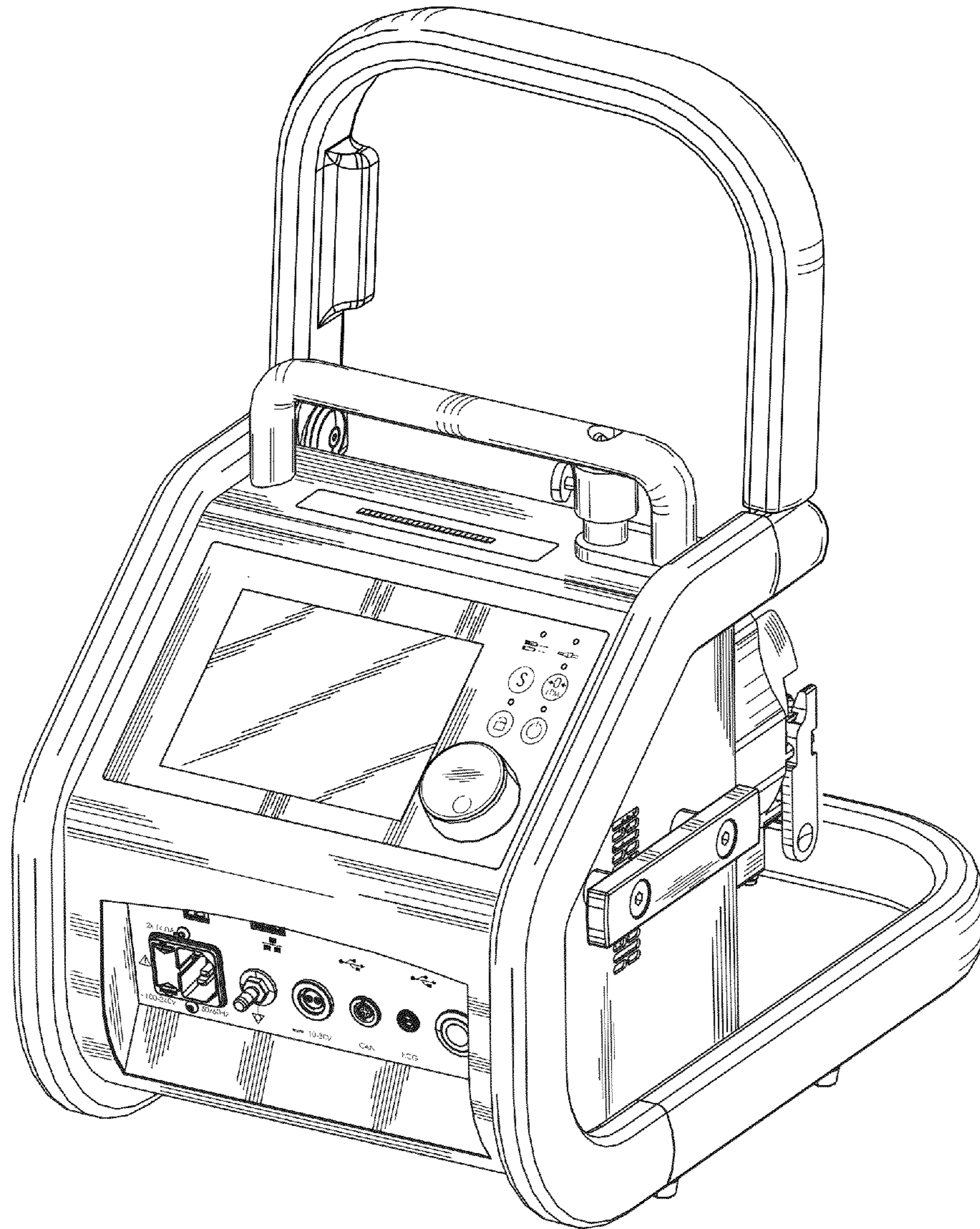


FIG. 9

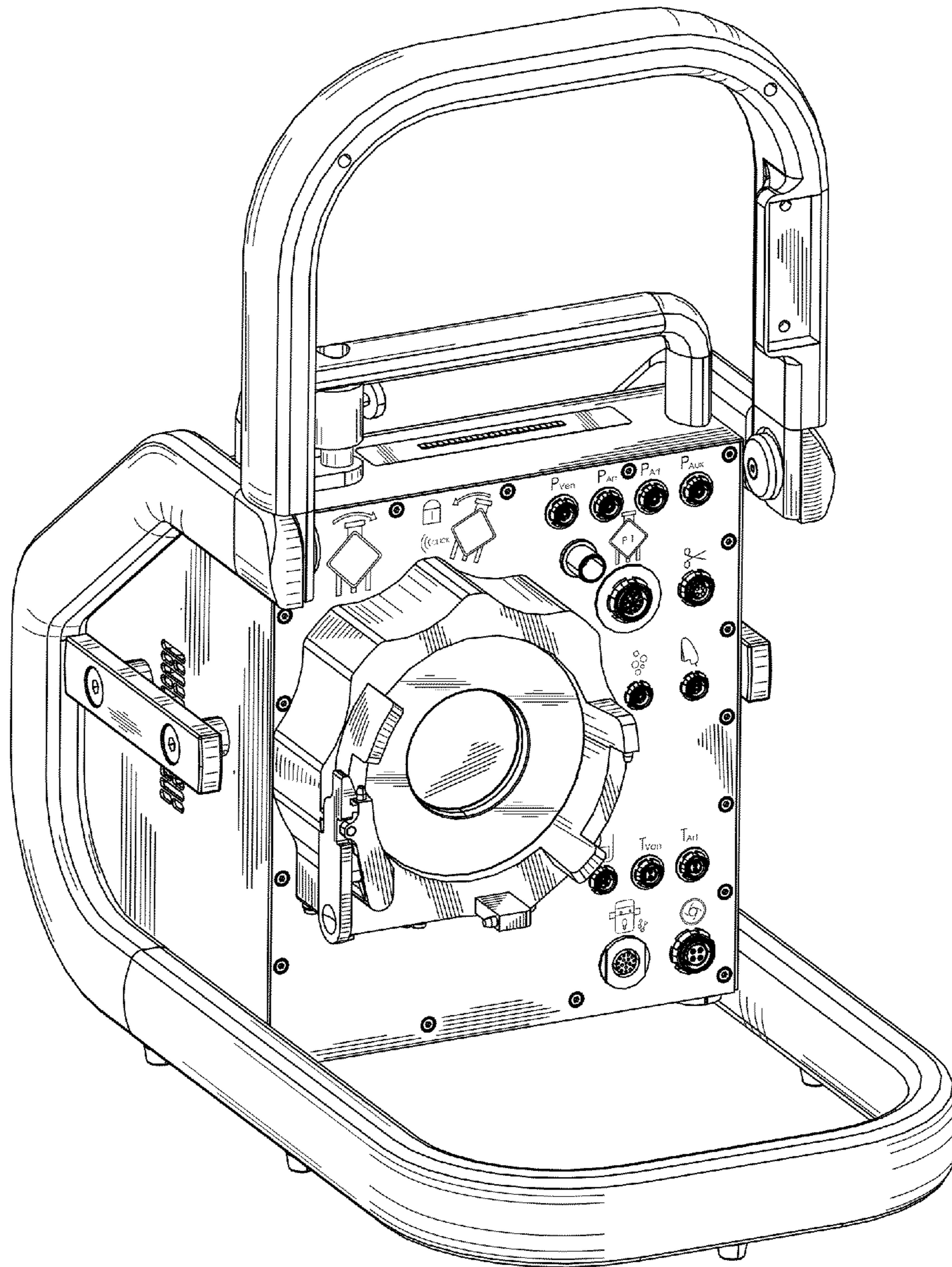


FIG. 10

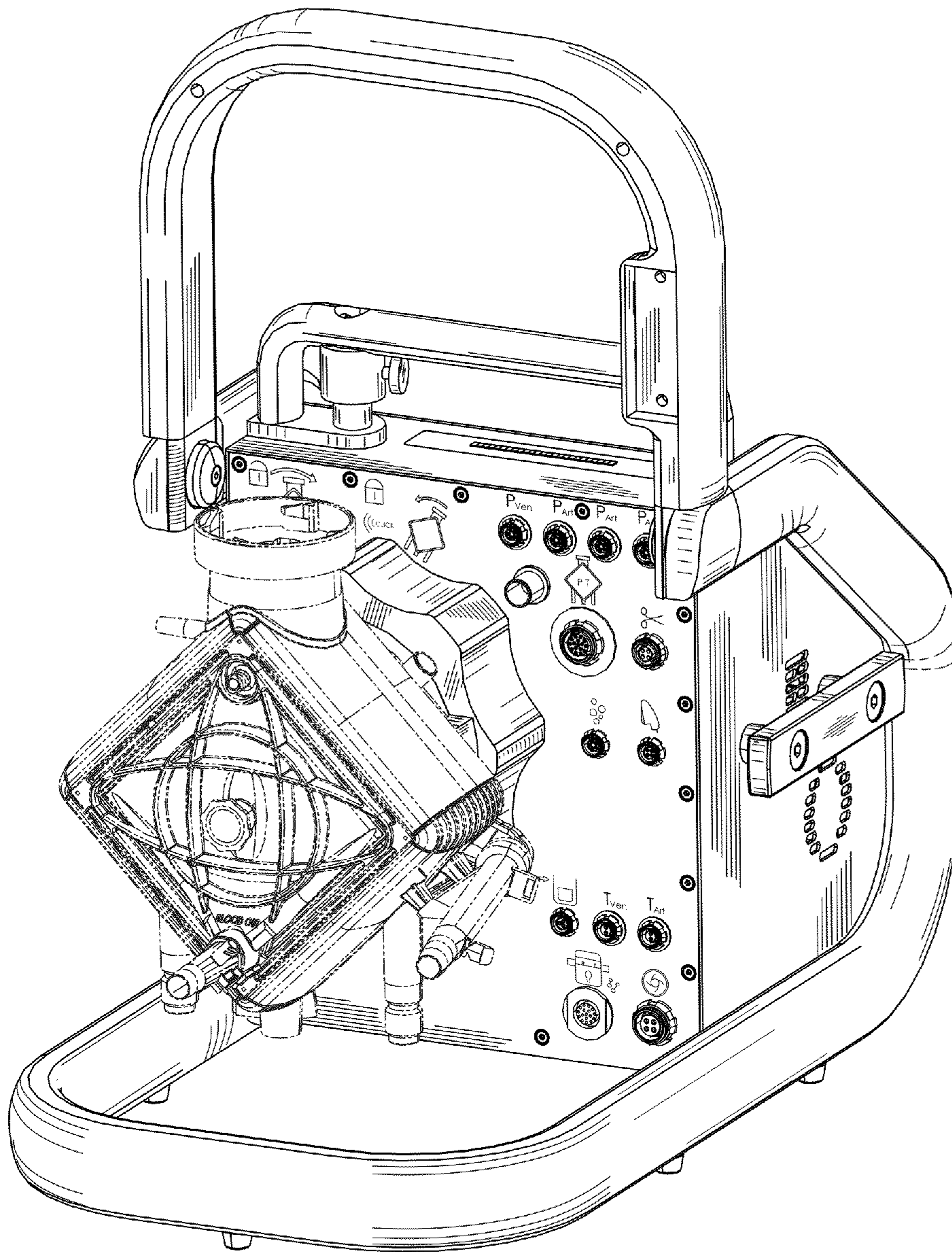


FIG. 11