

US00D669183S

(12) **United States Design Patent**  
**Personnelli**

(10) **Patent No.:** **US D669,183 S**

(45) **Date of Patent:** **\*\* Oct. 16, 2012**

- (54) **METABOLIC BREAST SCANNER**
- (75) Inventor: **Regis Personnelli**, Fontenay-le-Fleury (FR)
- (73) Assignee: **General Electric Company**, Schenectady, NY (US)
- (\*\*) Term: **14 Years**
- (21) Appl. No.: **29/379,818**
- (22) Filed: **Nov. 24, 2010**
- (51) **LOC (9) Cl.** ..... **24-01**
- (52) **U.S. Cl.** ..... **D24/158**
- (58) **Field of Classification Search** ..... D24/158-161, D24/186; 378/62, 68, 155, 195-198, 208, 378/4, 15, 17, 20, 21, 23-27, 146  
See application file for complete search history.

D447,803	S	*	9/2001	Yanagihara et al.	.....	D24/159
6,618,613	B1	*	9/2003	Shukla et al.	.....	600/425
D527,105	S	*	8/2006	Kitayama et al.	.....	D24/158
7,212,848	B1	*	5/2007	Wake et al.	.....	600/476
7,378,660	B2	*	5/2008	Case et al.	.....	378/4
7,409,039	B2	*	8/2008	Banchieri et al.	.....	378/57
7,648,273	B2	*	1/2010	Manzke et al.	.....	378/203
7,825,383	B2	*	11/2010	Vija et al.	.....	378/17
2008/0177171	A1	*	7/2008	Francesangeli et al.	.....	600/410

\* cited by examiner

*Primary Examiner* — Anhdao Doan

(74) *Attorney, Agent, or Firm* — Ziolkowski Patent Solutions Group, SC

(56) **References Cited**

U.S. PATENT DOCUMENTS

4,093,859	A	*	6/1978	Davis et al.	.....	378/7
D345,606	S	*	3/1994	Perusek	.....	D24/159

(57) **CLAIM**

The ornamental design for a metabolic breast scanner, as shown and described.

**DESCRIPTION**

FIG. 1 is a perspective view of a metabolic breast scanner in accordance with the present invention.

FIG. 2 is a side view thereof; and,

FIG. 3 is a front view thereof.

**1 Claim, 3 Drawing Sheets**

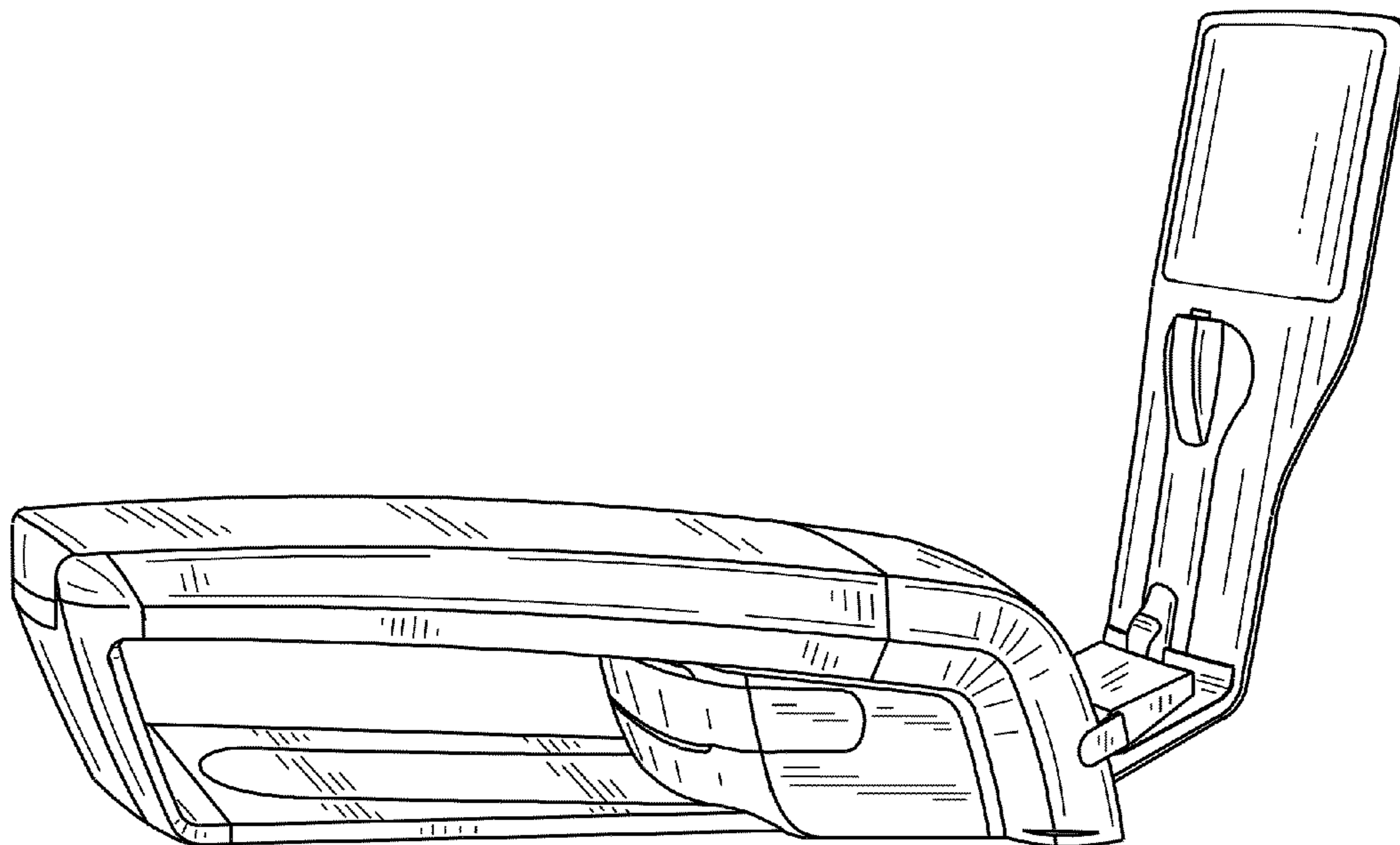




FIG. 1

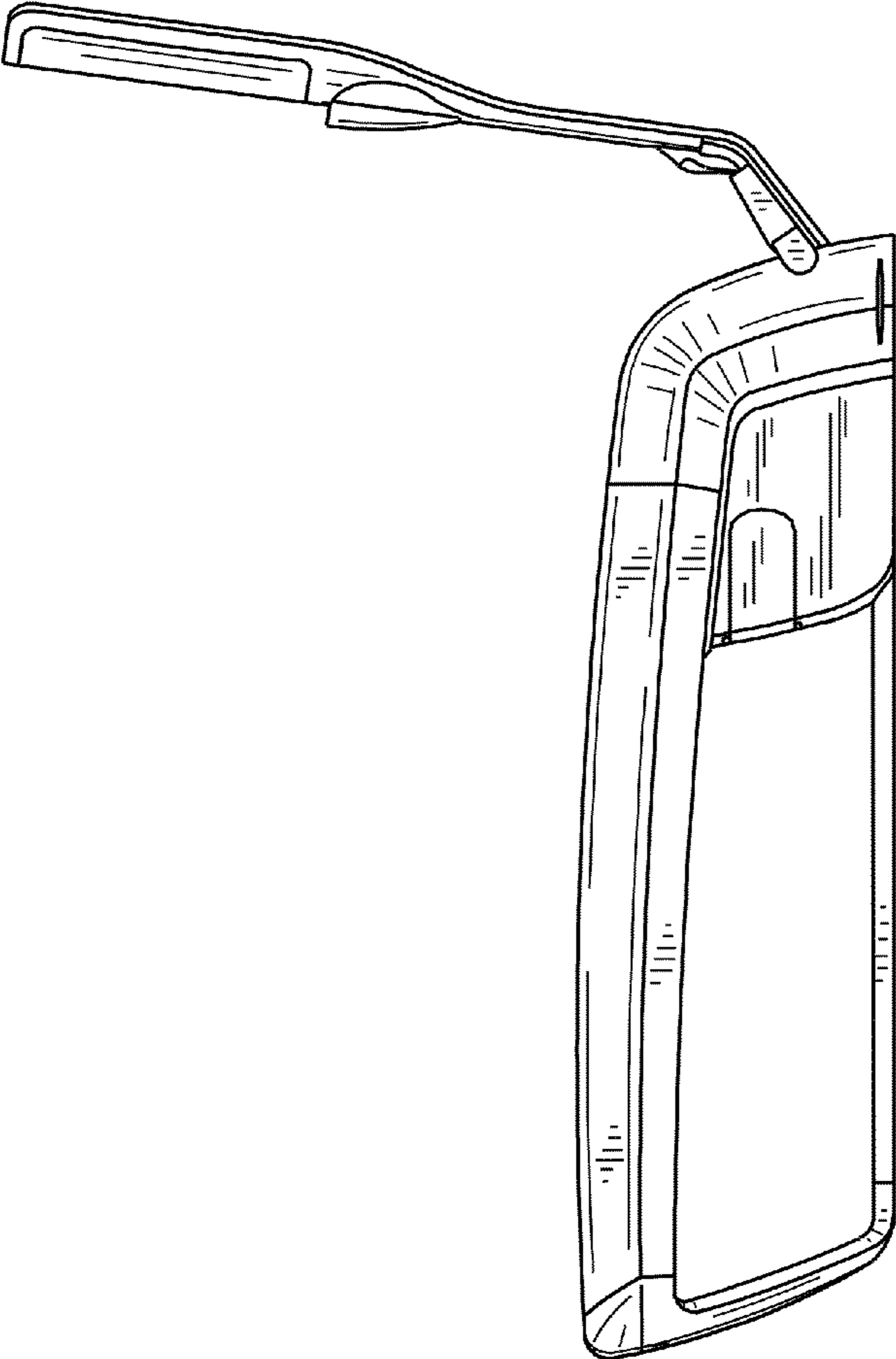


FIG. 2

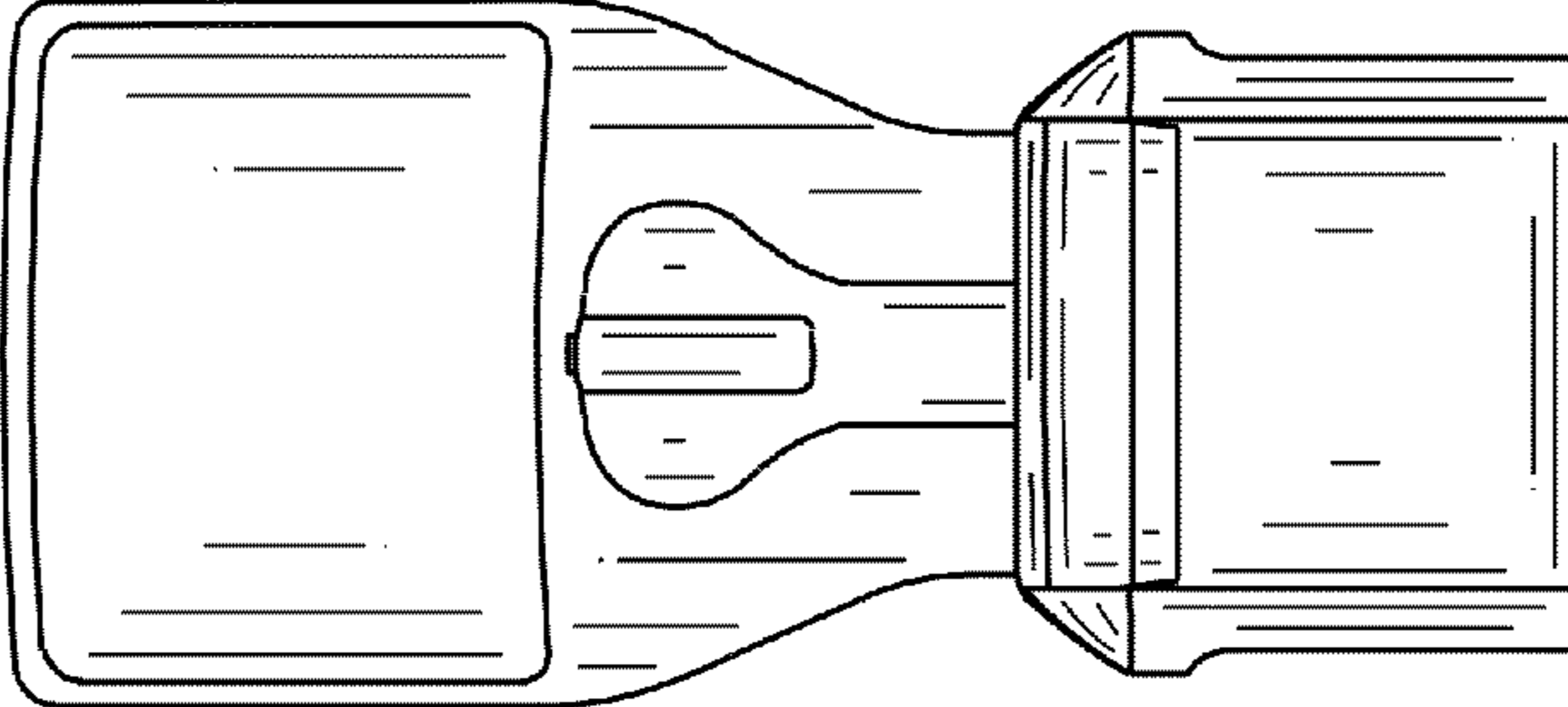


FIG. 3