

US00D669181S

(12) **United States Design Patent**
Prado

(10) **Patent No.:** **US D669,181 S**
(45) **Date of Patent:** **** Oct. 16, 2012**

(54) **PORTABLE OPEN PROBE MAGNETIC
RESONANCE INSTRUMENT**

(76) Inventor: **Pablo Prado**, Boston, MA (US)

(**) Term: **14 Years**

(21) Appl. No.: **29/367,800**

(22) Filed: **Aug. 13, 2010**

(51) **LOC (9) Cl.** **24-01**

(52) **U.S. Cl.** **D24/158**

(58) **Field of Classification Search** D24/158-161,
D24/185, 186, 187; 378/4, 15, 17, 20, 21,
378/23-27, 62, 68, 146, 195-198; 600/11,
600/410, 437, 443-446, 459

See application file for complete search history.

(56) **References Cited**

U.S. PATENT DOCUMENTS

5,390,673	A *	2/1995	Kikinis	600/410
6,447,451	B1 *	9/2002	Wing et al.	600/437
D484,246	S *	12/2003	Lee et al.	D24/186
D536,794	S *	2/2007	Knieriem et al.	D24/186
D562,456	S *	2/2008	Scruggs et al.	D24/160

D566,284	S *	4/2008	Kitayama et al.	D24/186
D612,503	S *	3/2010	Johnston et al.	D24/186
D639,434	S *	6/2011	Wodecki et al.	D24/160
2011/0282211	A1 *	11/2011	Shikata	600/459

* cited by examiner

Primary Examiner — Anhdao Doan

(74) *Attorney, Agent, or Firm* — AKC Patents LLC; Aliko K. Collins

(57) **CLAIM**

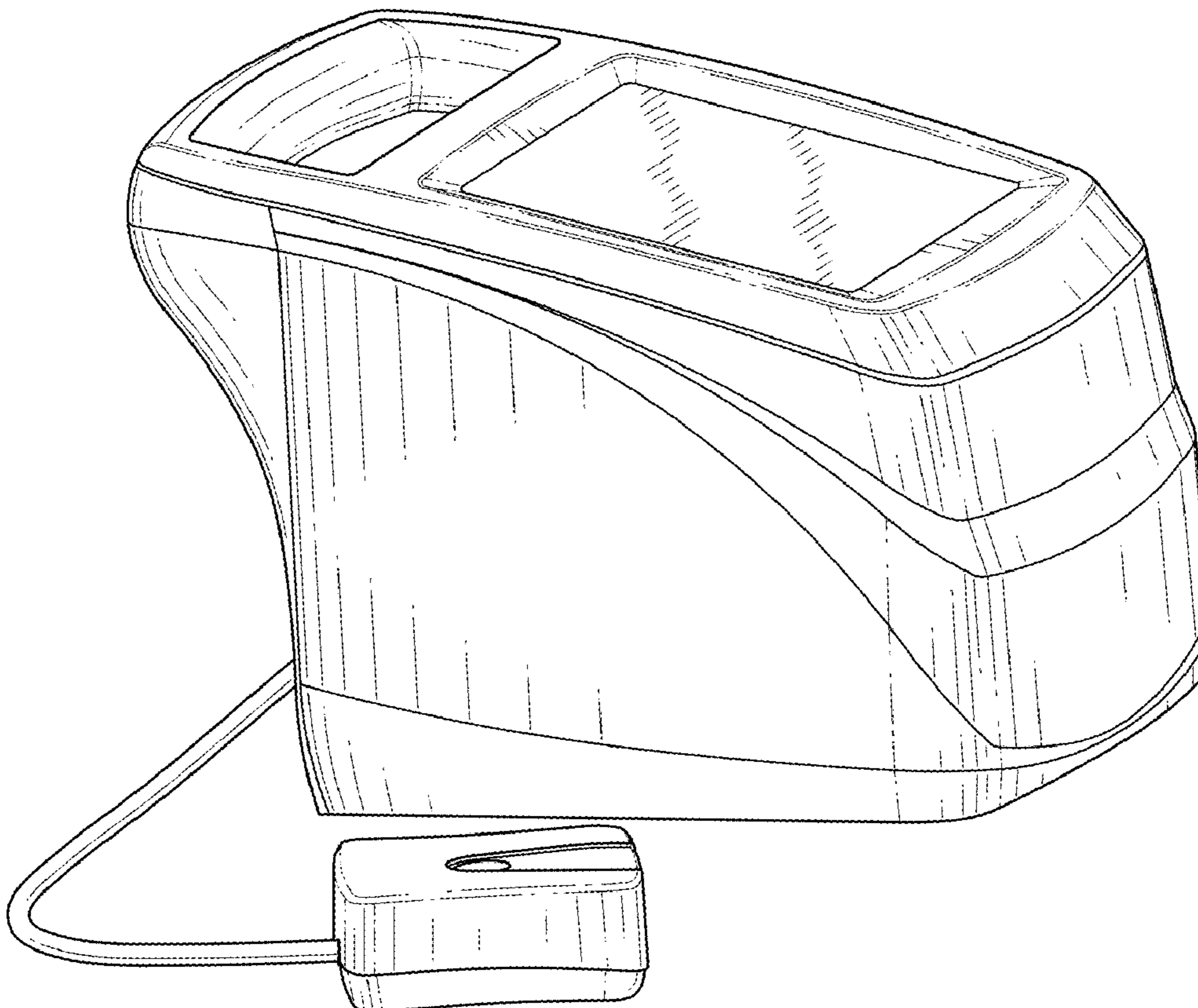
The ornamental design for a portable open probe magnetic resonance instrument, as shown and described.

DESCRIPTION

FIG. 1 is a front perspective view of the portable open probe magnetic resonance instrument;
FIG. 2 is a left side perspective view thereof;
FIG. 3 is a right side perspective view thereof;
FIG. 4 is a back perspective view thereof; and,
FIG. 5 is a top perspective view thereof.

The broken lines in FIGS. 4 and 5 are included for the purpose of illustrating portions of the portable open probe magnetic resonance instrument that form no part of the claimed design

1 Claim, 5 Drawing Sheets



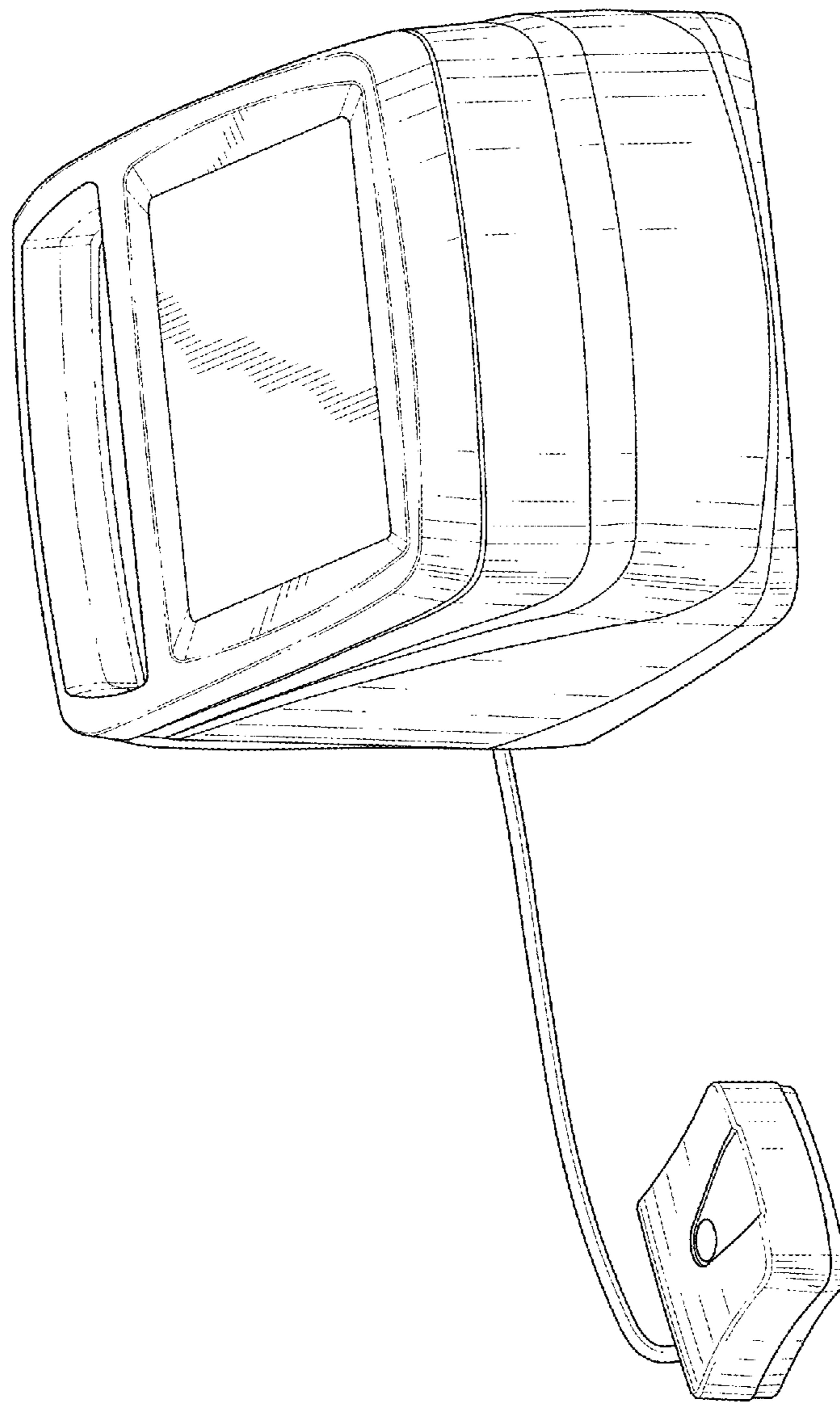


FIG. 1

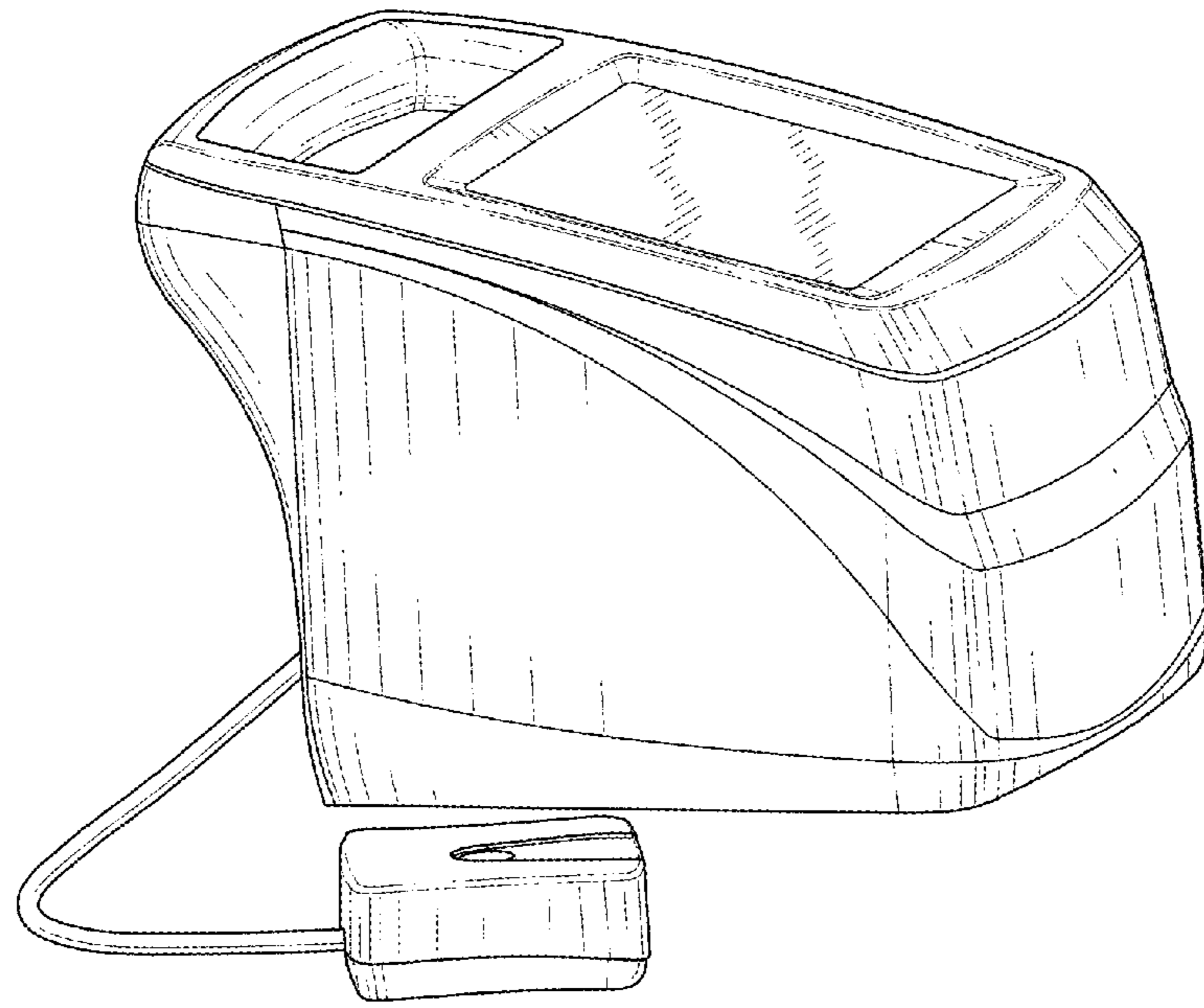


FIG.2

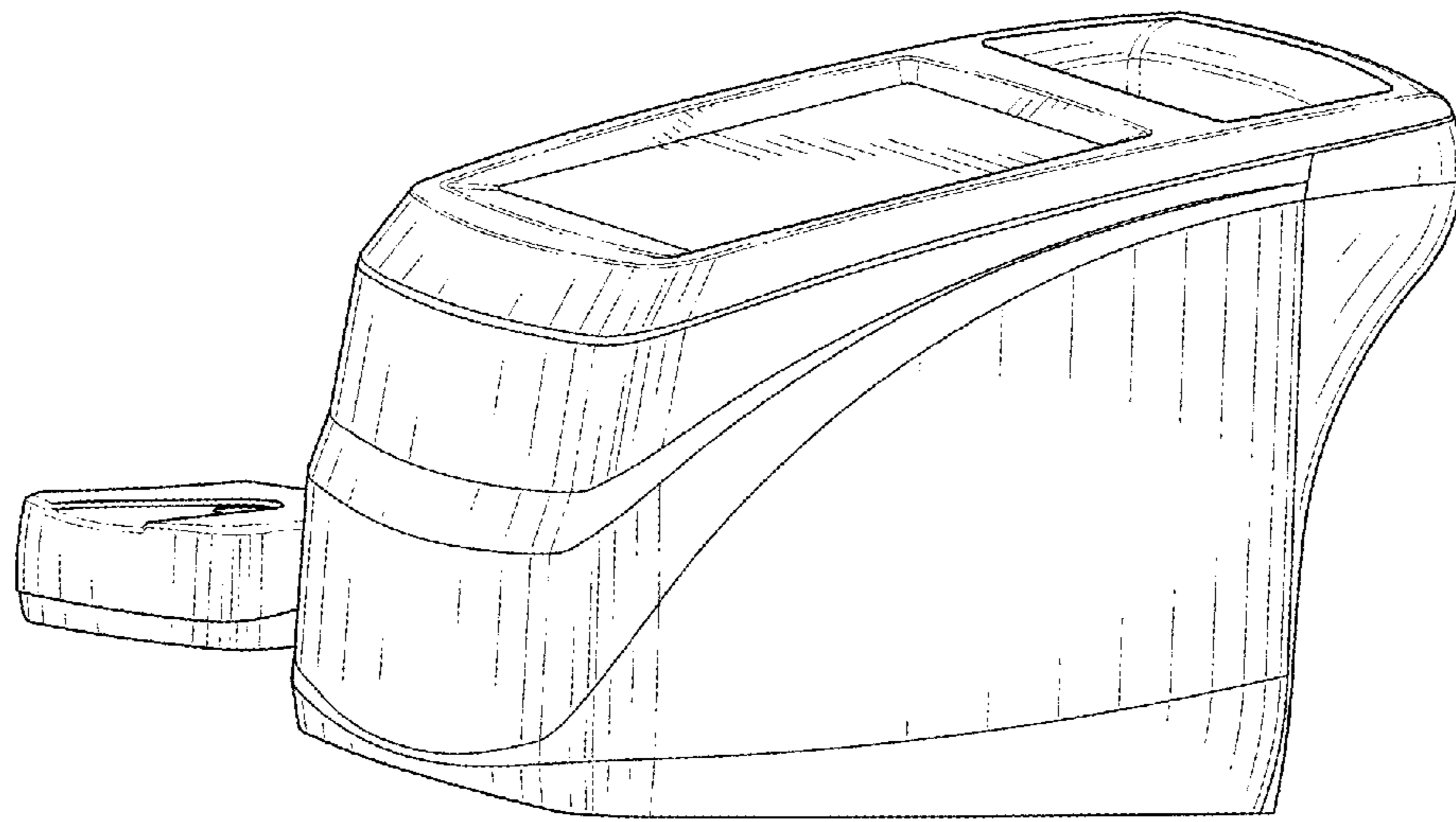


FIG. 3

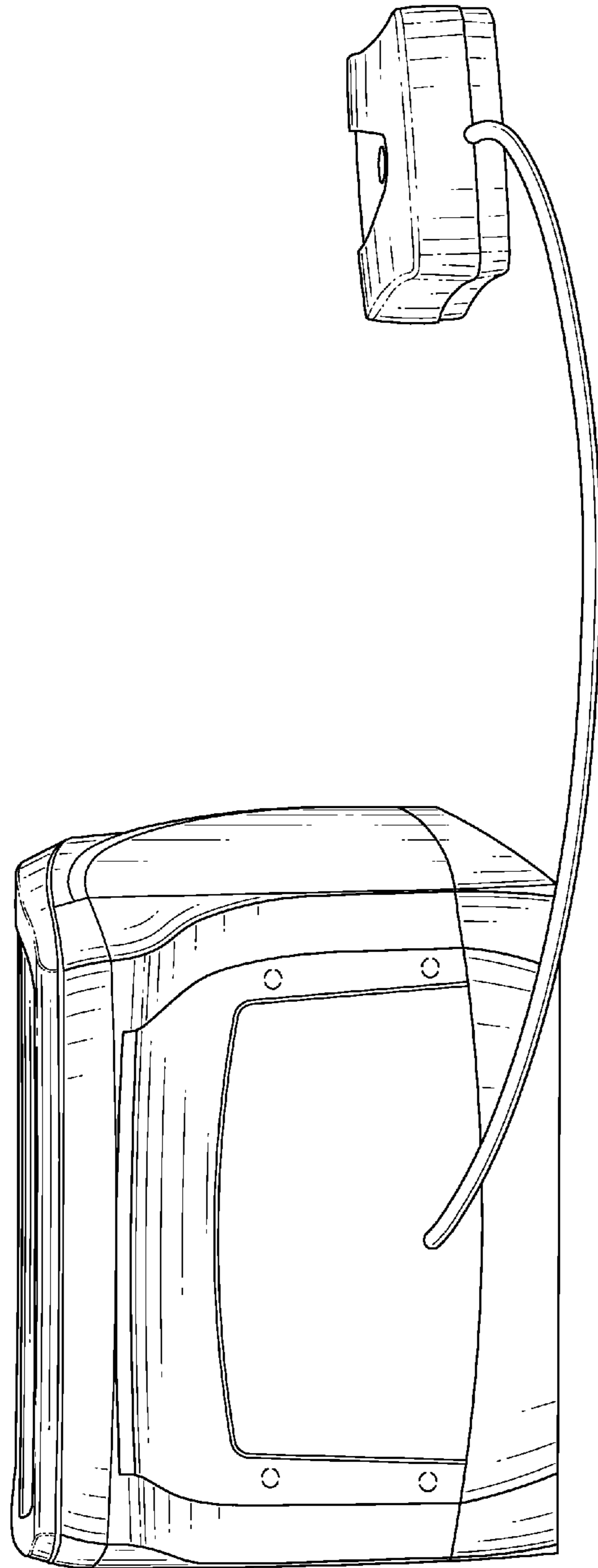


FIG. 4

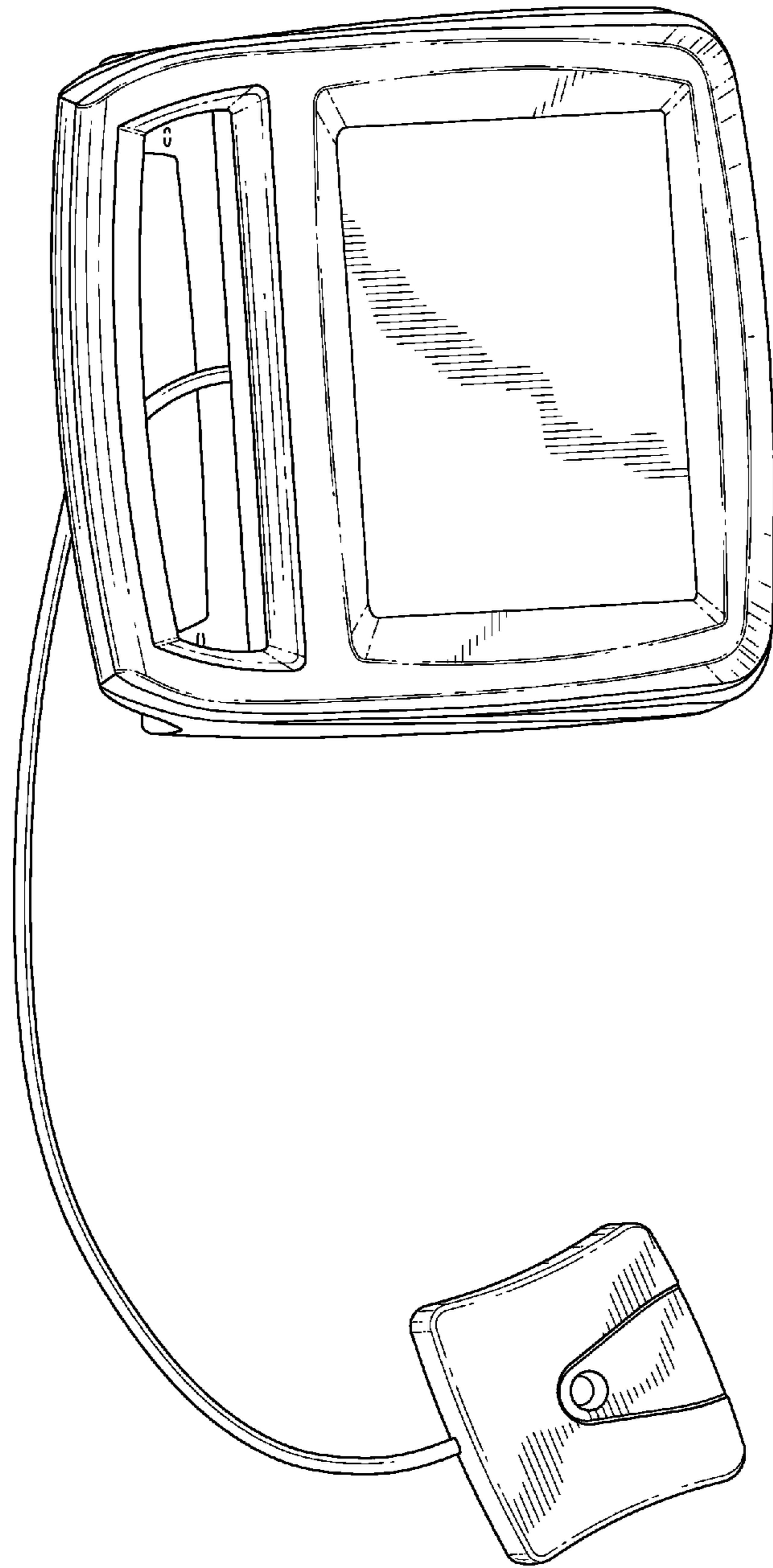


FIG. 5