

US00D669180S

(12) **United States Design Patent**
Takashi et al.

(10) **Patent No.:** **US D669,180 S**
(45) **Date of Patent:** **** Oct. 16, 2012**

(54) **DENTAL HANDPIECE**

(75) Inventors: **Tetsuya Takashi**, Kyoto (JP); **Shozo Nakayama**, Kyoto (JP)
(73) Assignee: **Kabushiki Kaisha Morita Seisakusho**, Kyoto (JP)
(**) Term: **14 Years**

(21) Appl. No.: **29/347,990**

(22) Filed: **Sep. 3, 2010**

(30) **Foreign Application Priority Data**

Mar. 19, 2010 (JP) 2010-006869

(51) **LOC (9) Cl.** **24-02**

(52) **U.S. Cl.** **D24/152**

(58) **Field of Classification Search** D24/152,
D24/133, 146, 154, 156, 176; 433/3, 82,
433/114, 118-119, 126, 130, 141, 229, 132
See application file for complete search history.

(56) **References Cited**

U.S. PATENT DOCUMENTS

5,733,117	A *	3/1998	Coss et al.	433/82
6,676,374	B2 *	1/2004	Hashimoto et al.	433/132
D499,486	S *	12/2004	Kuhn et al.	D24/152
6,916,176	B2 *	7/2005	Schatz et al.	433/126
D579,565	S *	10/2008	Thomssen et al.	D24/152
D580,054	S *	11/2008	Thomssen et al.	D24/152
D580,055	S *	11/2008	Thomssen et al.	D24/152
D584,411	S *	1/2009	Thomssen et al.	D24/152
D588,698	S *	3/2009	Thomssen et al.	D24/152
D592,308	S *	5/2009	Thomssen et al.	D24/152
7,927,101	B2 *	4/2011	Takashi et al.	433/132
2008/0070189	A1 *	3/2008	Turner	433/132
2009/0061384	A1 *	3/2009	Thomssen et al.	433/132

OTHER PUBLICATIONS

High-Speed Dental hadpiece (RXAC, RXAB, RXAX). Focus Technology Co., Ltd. 2012. [Retrieved on Feb. 13, 2012]. Retrieved from the Internet: <URL: <http://www.mad-in-china.com/...om/cindy82268375/product-detaildqBmNsoCyPVJ/China-High-Speed-Dental-Handpiece-RXAD-RXAB-RXAX-.html>>.*
Preferred Handpiece Repair. Date unknown. [Retrieved on Feb. 13, 2012]. Retrieved from the Internet: <URL: <http://preferredhandpierepair.com>>.*

* cited by examiner

Primary Examiner — Wan Laymon

(74) Attorney, Agent, or Firm — Jacobson Holman PLLC

(57) **CLAIM**

The ornamental design for a dental handpiece, as shown and described.

DESCRIPTION

FIG. 1 is a perspective view showing our new design for a dental handpiece, the portion shown in dotted lines is for illustrative purposes only and forms no part of the claimed design,

FIG. 2 is a front view thereof, the rear view being a mirror image thereof, the portion shown in dotted lines is for illustrative purposes only and forms no part of the claimed design,

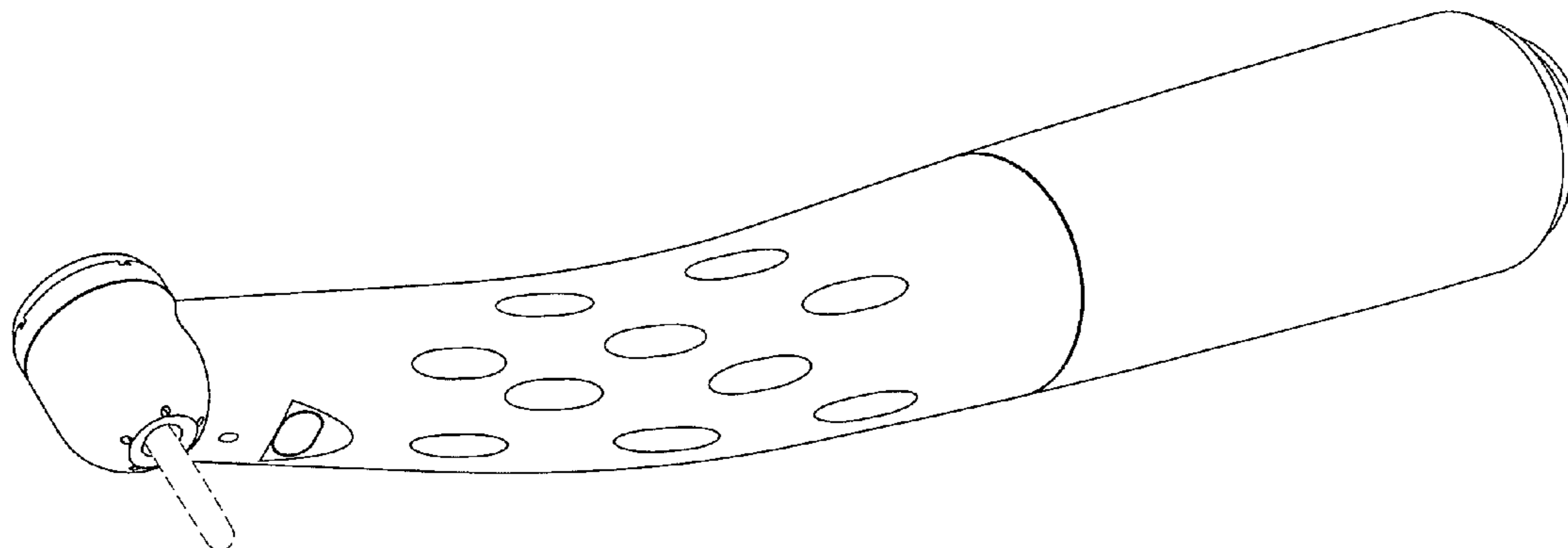
FIG. 3 is a top plan view thereof,

FIG. 4 is a bottom view thereof, the portion shown in dotted lines is for illustrative purposes only and forms no part of the claimed design,

FIG. 5 is a right side view thereof, the portion shown in dotted lines is for illustrative purposes only and forms no part of the claimed design; and,

FIG. 6 is a left side view thereof, the portion shown in dotted lines is for illustrative purposes only and forms no part of the claimed design.

1 Claim, 3 Drawing Sheets



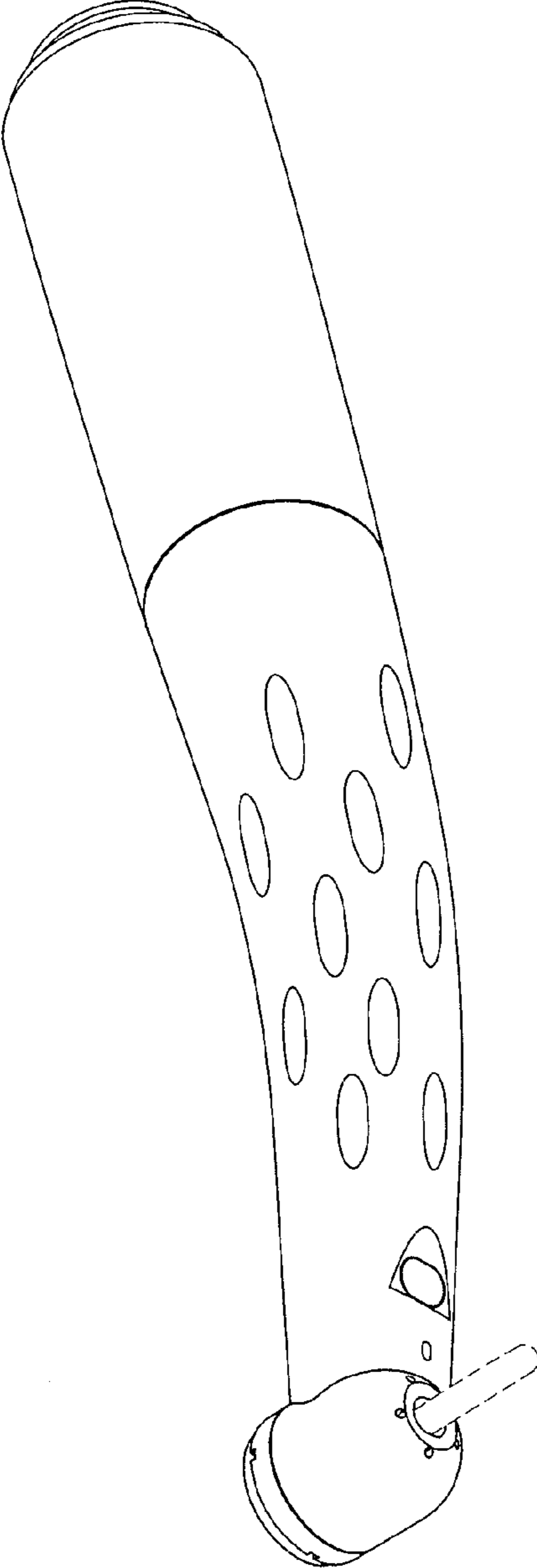


FIG. 1

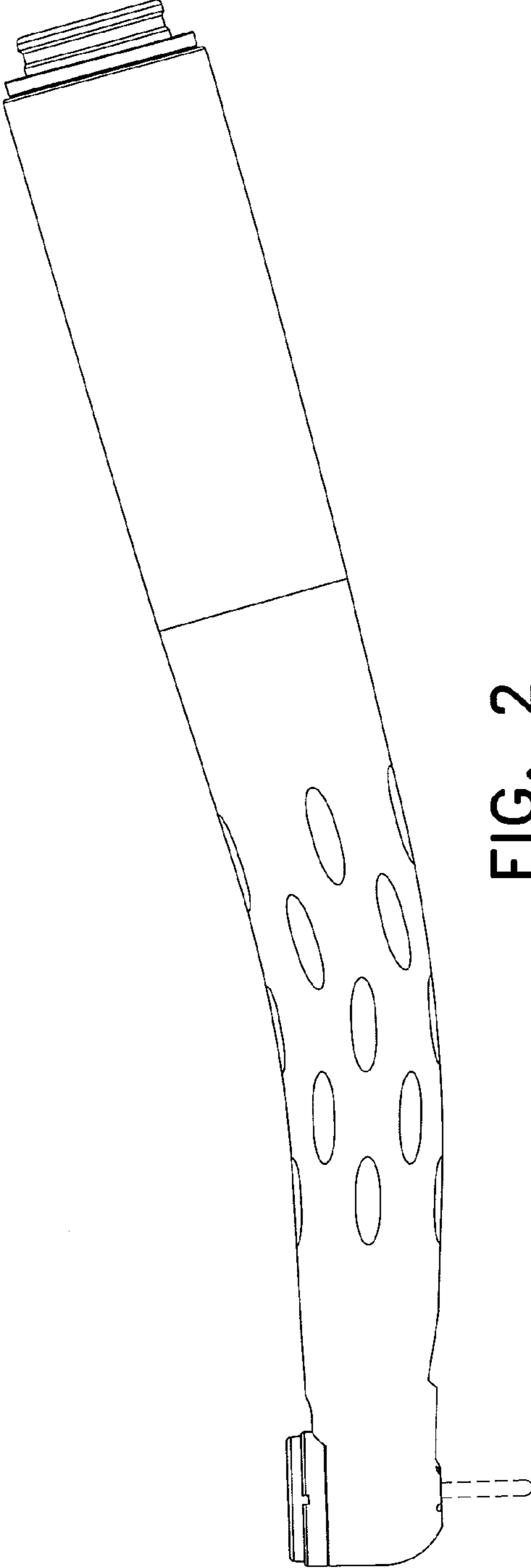


FIG. 2

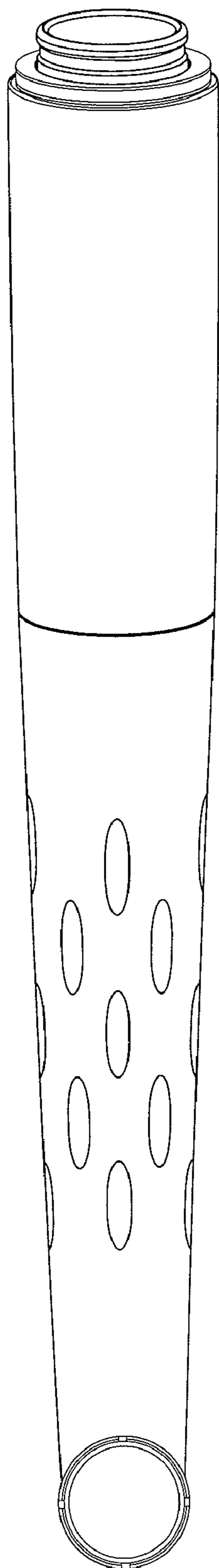


FIG. 3

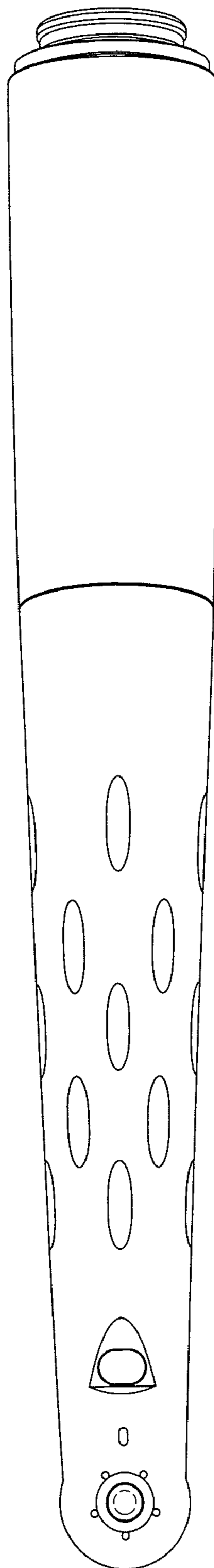


FIG. 4

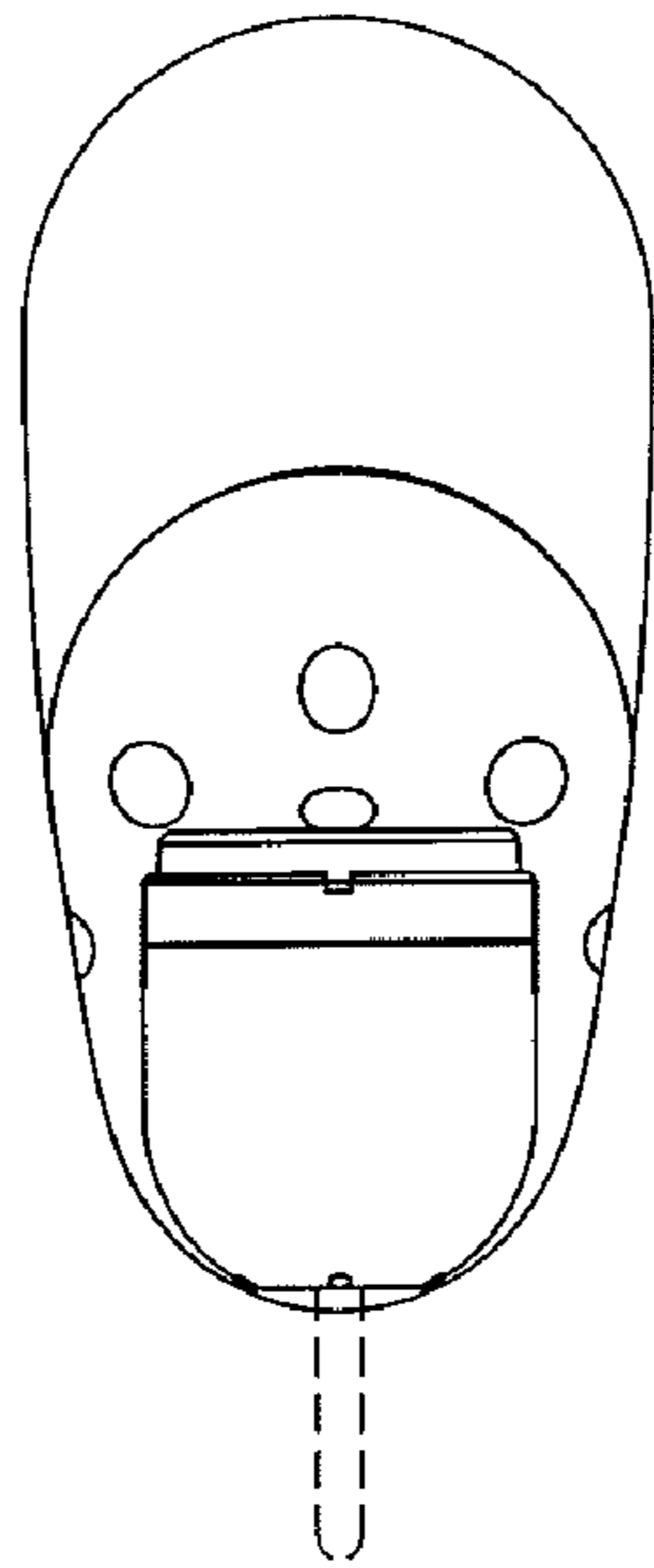


FIG. 5

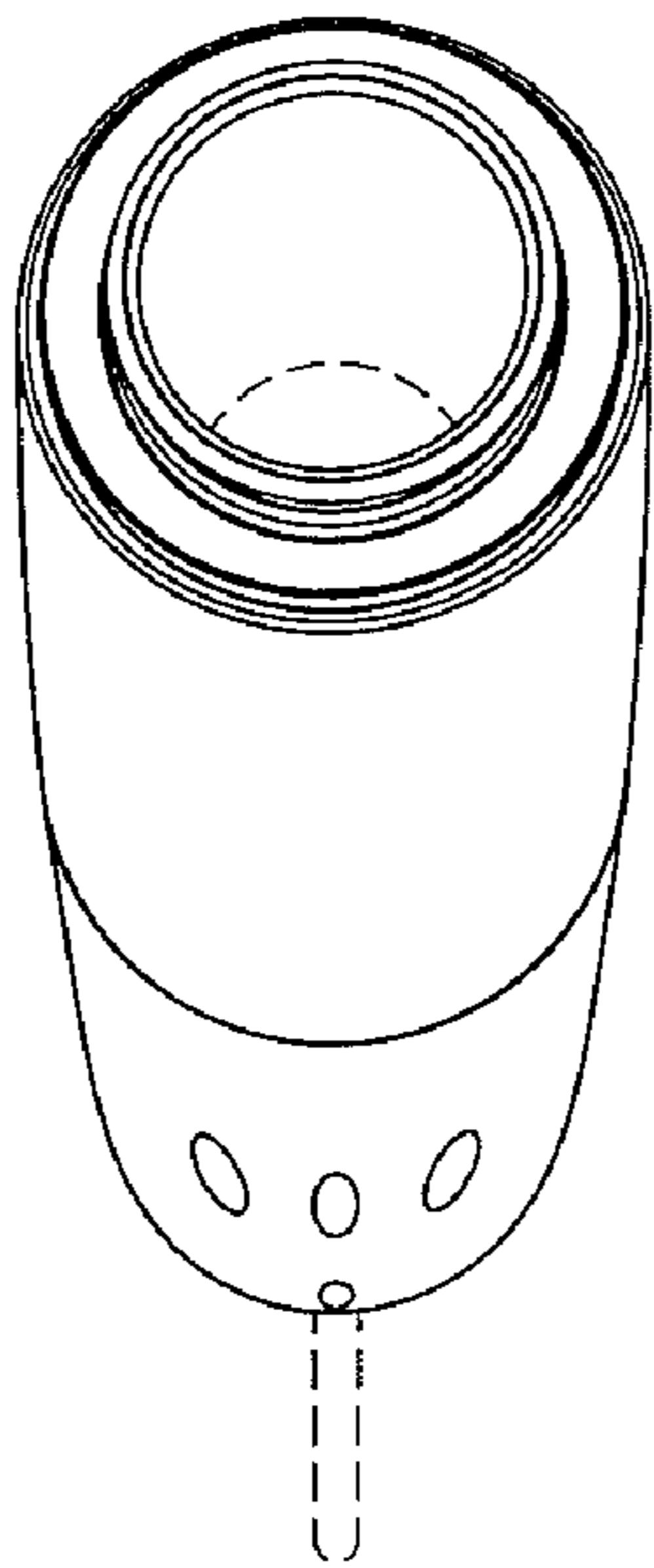


FIG. 6