



US00D669179S

(12) **United States Design Patent**
Fisher

(10) **Patent No.:** **US D669,179 S**

(45) **Date of Patent:** **** Oct. 16, 2012**

(54) **BANDAGE SCISSORS**

(76) Inventor: **John Anthony Fisher**, Richland, WA
(US)

(**) Term: **14 Years**

(21) Appl. No.: **29/408,987**

(22) Filed: **Dec. 19, 2011**

(51) **LOC (9) Cl.** **24-02**

(52) **U.S. Cl.** **D24/148**

(58) **Field of Classification Search** D24/148,
D24/133, 146, 147; 606/905, 167, 174, 205;
D8/57, 5, 356; 30/113, 241
See application file for complete search history.

D459,642 S *	7/2002	Haquin	D8/57
6,761,725 B1	7/2004	Grayzel et al.		
D540,648 S *	4/2007	Junck	D8/107
D549,335 S	8/2007	Junck		
D578,649 S *	10/2008	Jordan	D24/145
7,666,201 B2	2/2010	Grayzel et al.		
7,941,928 B2	5/2011	Fisher		
D644,736 S	9/2011	Fisher		
2008/0289187 A1 *	11/2008	Fisher	30/123

* cited by examiner

Primary Examiner — Ian Simmons

Assistant Examiner — Carissa C Fitts

(74) *Attorney, Agent, or Firm* — QuickPatents, Inc.; Kevin Prince

(57) **CLAIM**

I claim the ornamental design for a bandage scissors, as shown and described.

DESCRIPTION

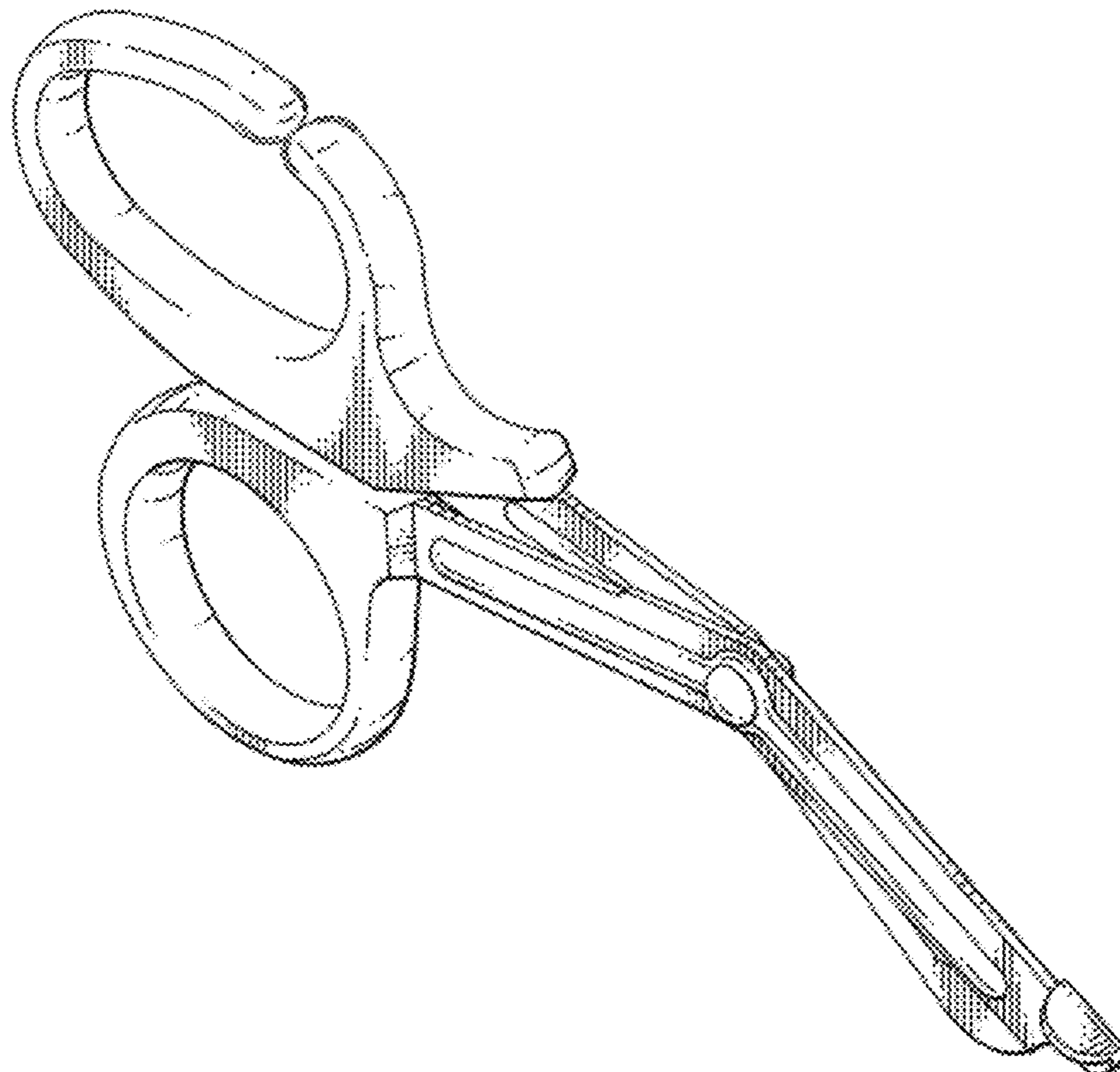
FIG. 1 is a perspective view of a bandage scissors, showing my new design;
FIG. 2 is a right-side elevational view of FIG. 1;
FIG. 3 is a left-side elevational view of FIG. 1;
FIG. 4 is a top plan view of FIG. 1;
FIG. 5 is a bottom plan view of FIG. 1;
FIG. 6 is a front elevational view of FIG. 1; and,
FIG. 7 is a rear elevational view of FIG. 1.

1 Claim, 2 Drawing Sheets

(56) **References Cited**

U.S. PATENT DOCUMENTS

3,987,542 A *	10/1976	Visco	30/233
D244,828 S *	6/1977	Visco	D8/5
D248,534 S *	7/1978	Backstrom et al.	D8/5
D296,361 S *	6/1988	Gerich et al.	D24/143
D321,818 S *	11/1991	Hasegawa	D8/57
D344,225 S *	2/1994	Hendon et al.	D8/57
D372,783 S *	8/1996	Rollert	D24/149
D395,992 S *	7/1998	Bennett et al.	D8/57
D411,088 S *	6/1999	Rashman	D8/57
6,158,128 A *	12/2000	Huff	30/254



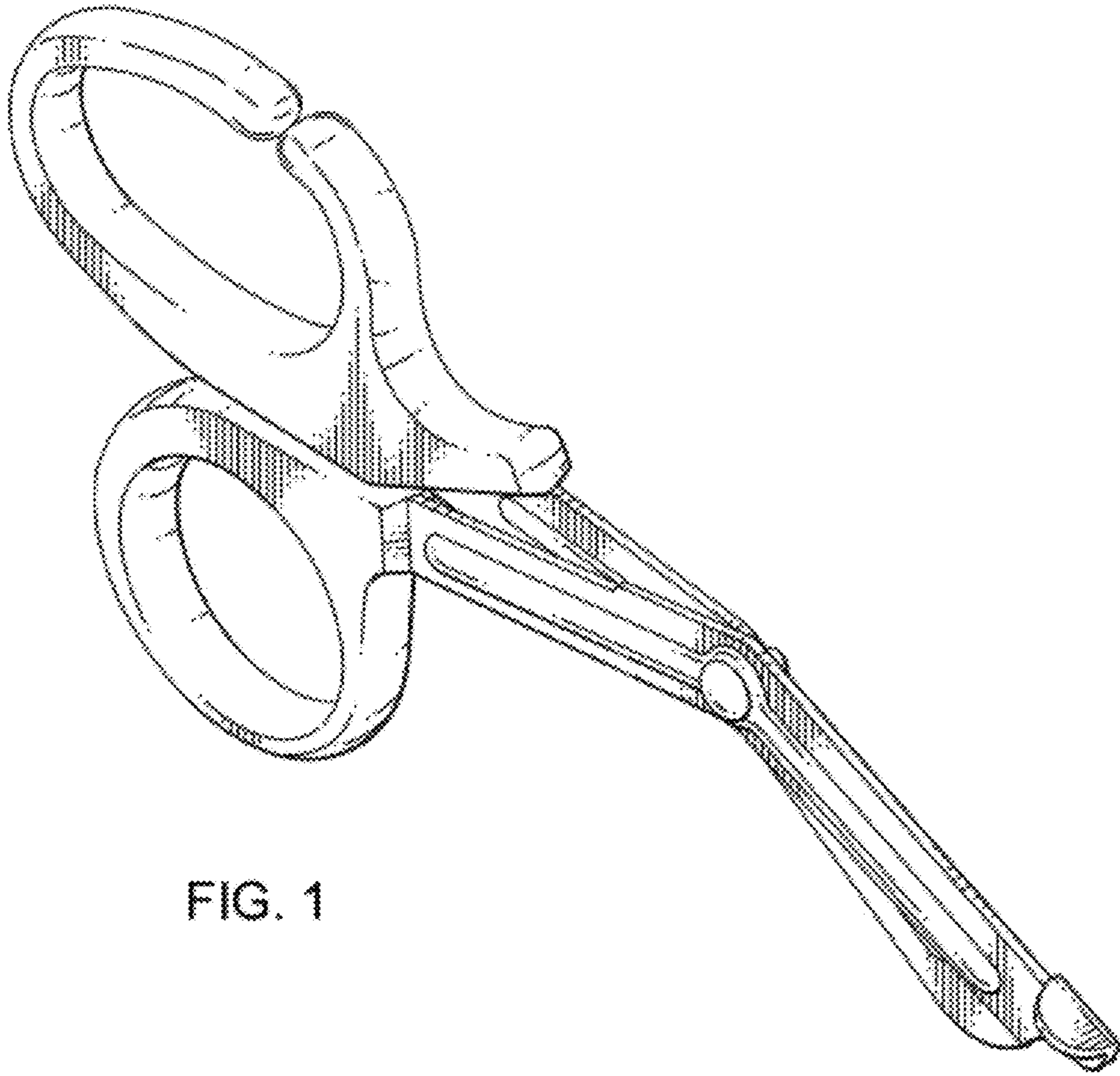


FIG. 1

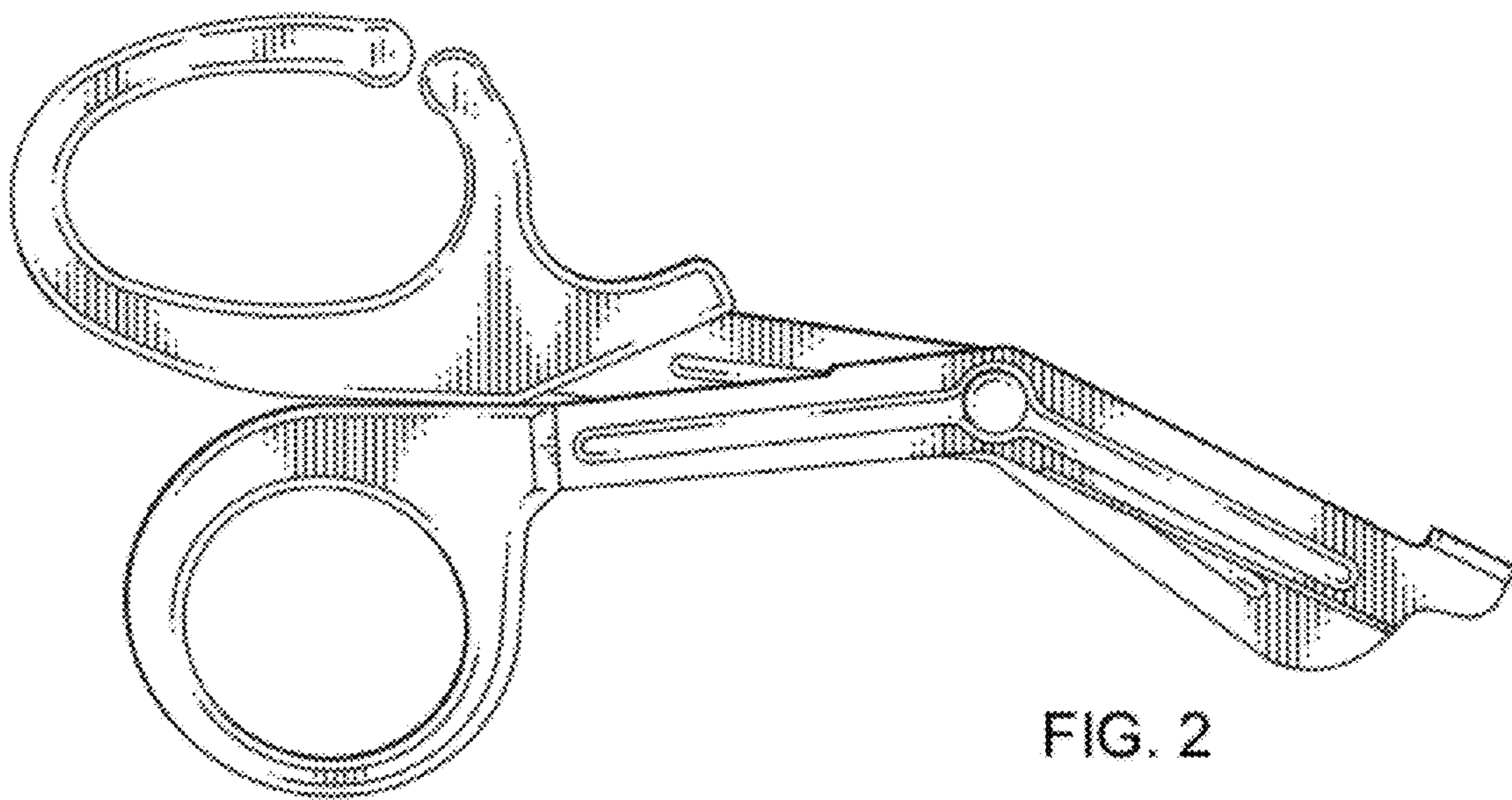


FIG. 2

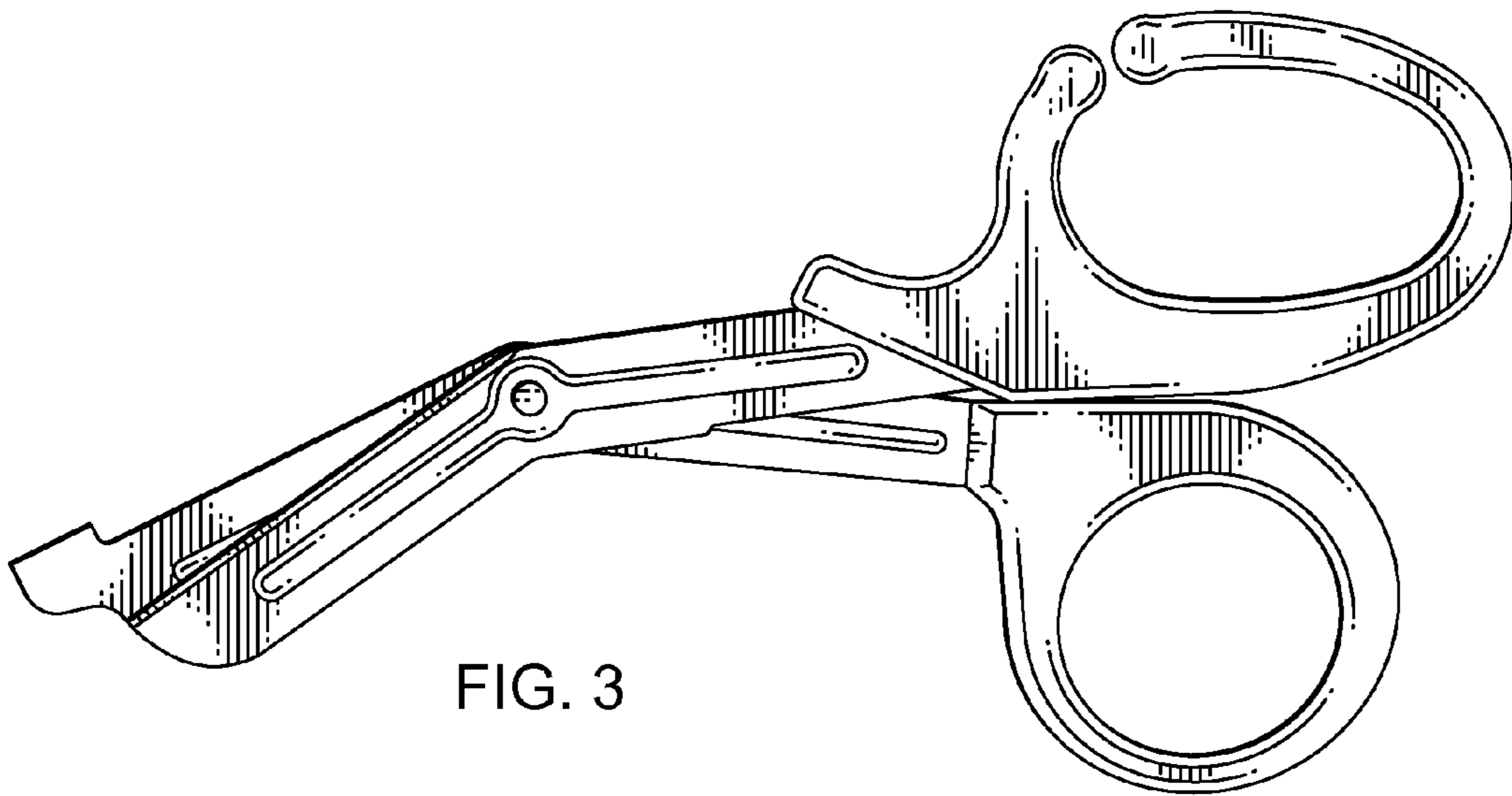


FIG. 3

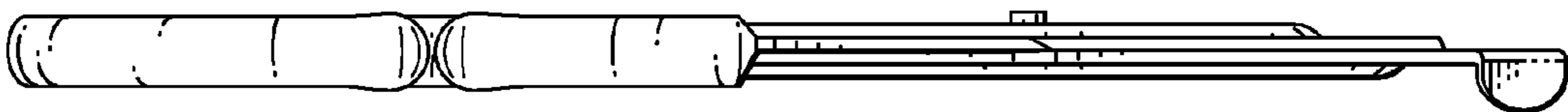


FIG. 4

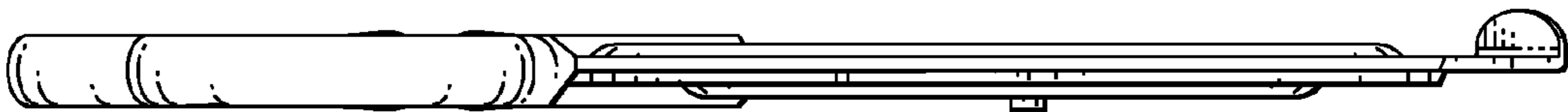


FIG. 5



FIG. 6

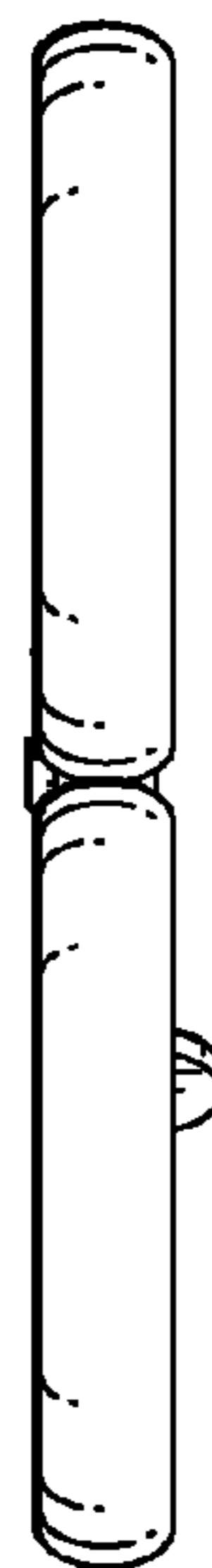


FIG. 7