

US00D669178S

(12) **United States Design Patent**  
**Catelnuovo et al.**

(10) **Patent No.:** **US D669,178 S**  
(45) **Date of Patent:** **\*\* Oct. 16, 2012**

(54) **ANTRUM PUNCH FORCEPS**

(75) Inventors: **Paolo Catelnuovo**, San Donato Milano (IT); **Karl-Heinz Stephan**, Wurmlingen (DE)

(73) Assignee: **Karl Storz GmbH & Co. KG** (DE)

(\*\*) Term: **14 Years**

(21) Appl. No.: **29/391,914**

(22) Filed: **May 13, 2011**

(30) **Foreign Application Priority Data**

Nov. 15, 2010 (EM) ..... 001781360-0019

(51) **LOC (9) Cl.** ..... **24-02**

(52) **U.S. Cl.** ..... **D24/143; D24/146**

(58) **Field of Classification Search** ..... D24/133,  
D24/143-144, 146-148; D8/52, 54, 57;  
600/564; 606/167, 172, 174, 170, 142, 184,  
606/205-208

See application file for complete search history.

(56) **References Cited**

**U.S. PATENT DOCUMENTS**

4,043,343	A *	8/1977	Williams	.....	606/207
D274,096	S *	5/1984	Shutt	.....	D24/143
4,573,448	A *	3/1986	Kambin	.....	606/170
D289,437	S *	4/1987	Honkanen	.....	D24/148
D357,980	S *	5/1995	Ek et al.	.....	D24/143
5,478,347	A *	12/1995	Aranyi	.....	606/170
5,487,745	A *	1/1996	McKenzie	.....	606/174

5,531,756	A *	7/1996	Larose	.....	606/184
5,989,277	A *	11/1999	LeMaire et al.	.....	606/170
7,517,354	B2 *	4/2009	Lang	.....	606/208

**OTHER PUBLICATIONS**

Google Image Result for <http://hermann-medizintechnik.de/daten/bilder/h146-28315.jpg>. Viewed Mar. 19, 2012.\*

Google Image Result for [http://www.invotec.net/images/product\\_images/instruments/Rhinology%2520Instruments/GirrafeForceps/S15500.jpg](http://www.invotec.net/images/product_images/instruments/Rhinology%2520Instruments/GirrafeForceps/S15500.jpg). Viewed Mar. 19, 2012.\*

\* cited by examiner

*Primary Examiner* — Wan Laymon

(74) *Attorney, Agent, or Firm* — St. Onge Steward Johnston & Reens LLC

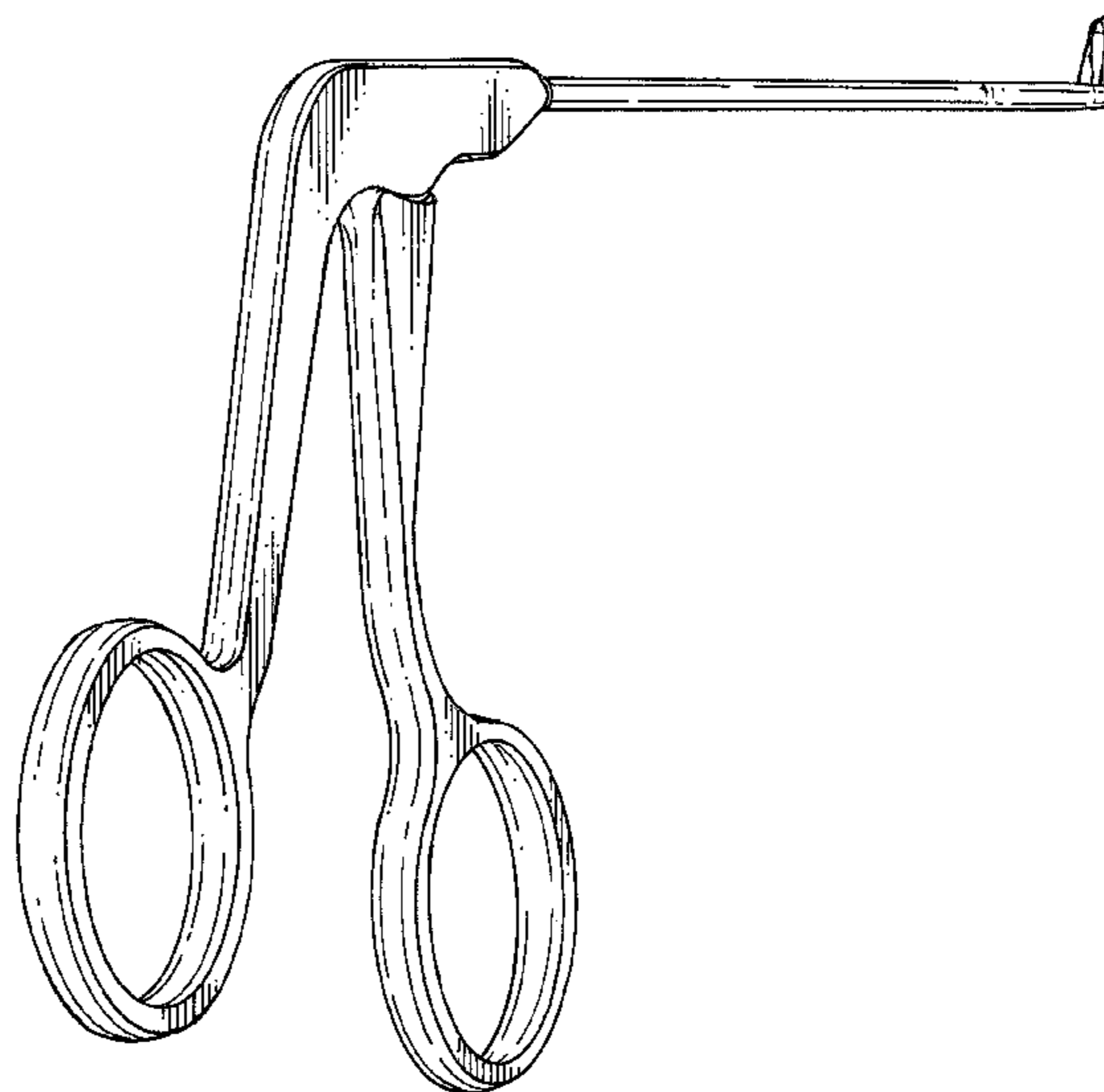
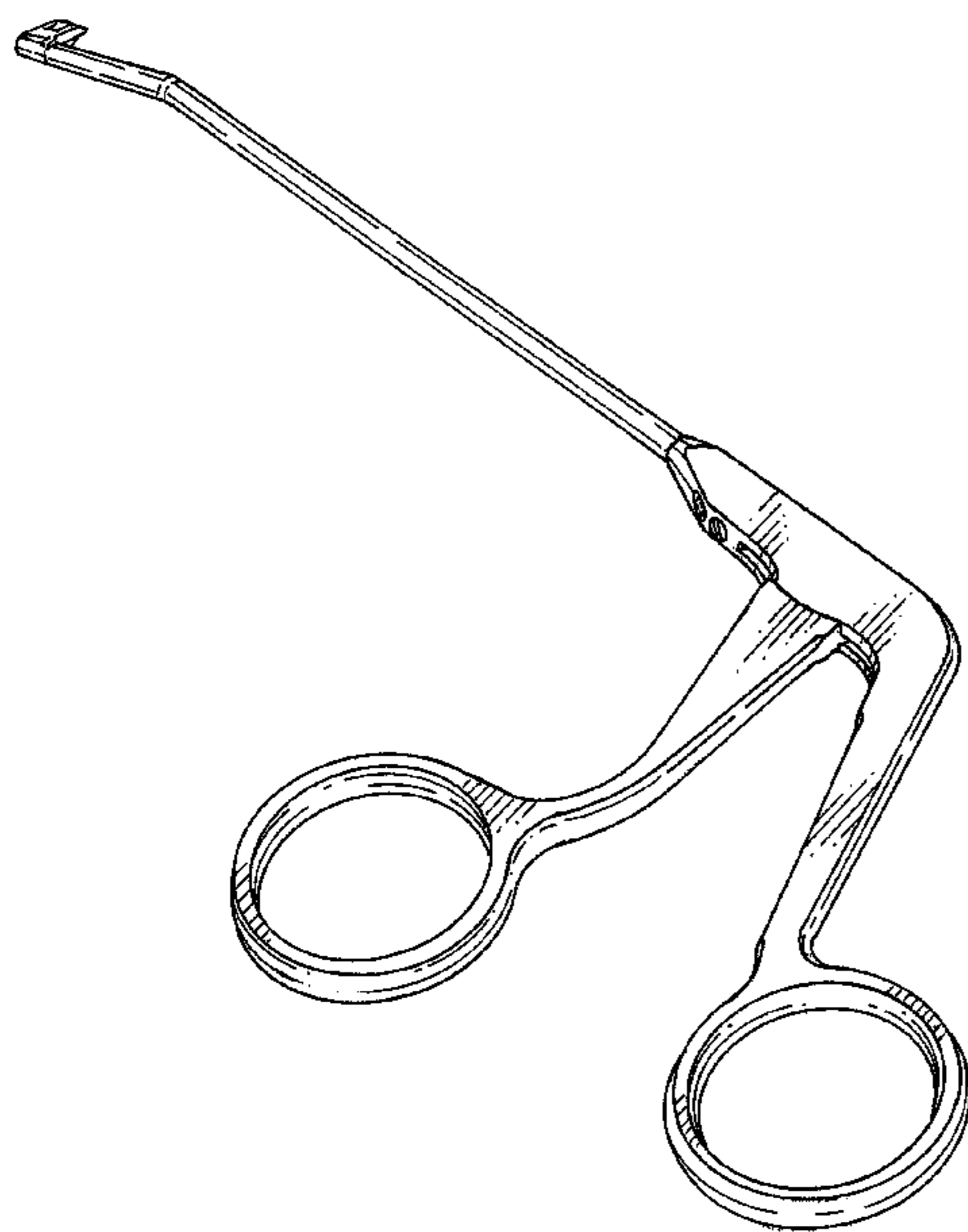
(57) **CLAIM**

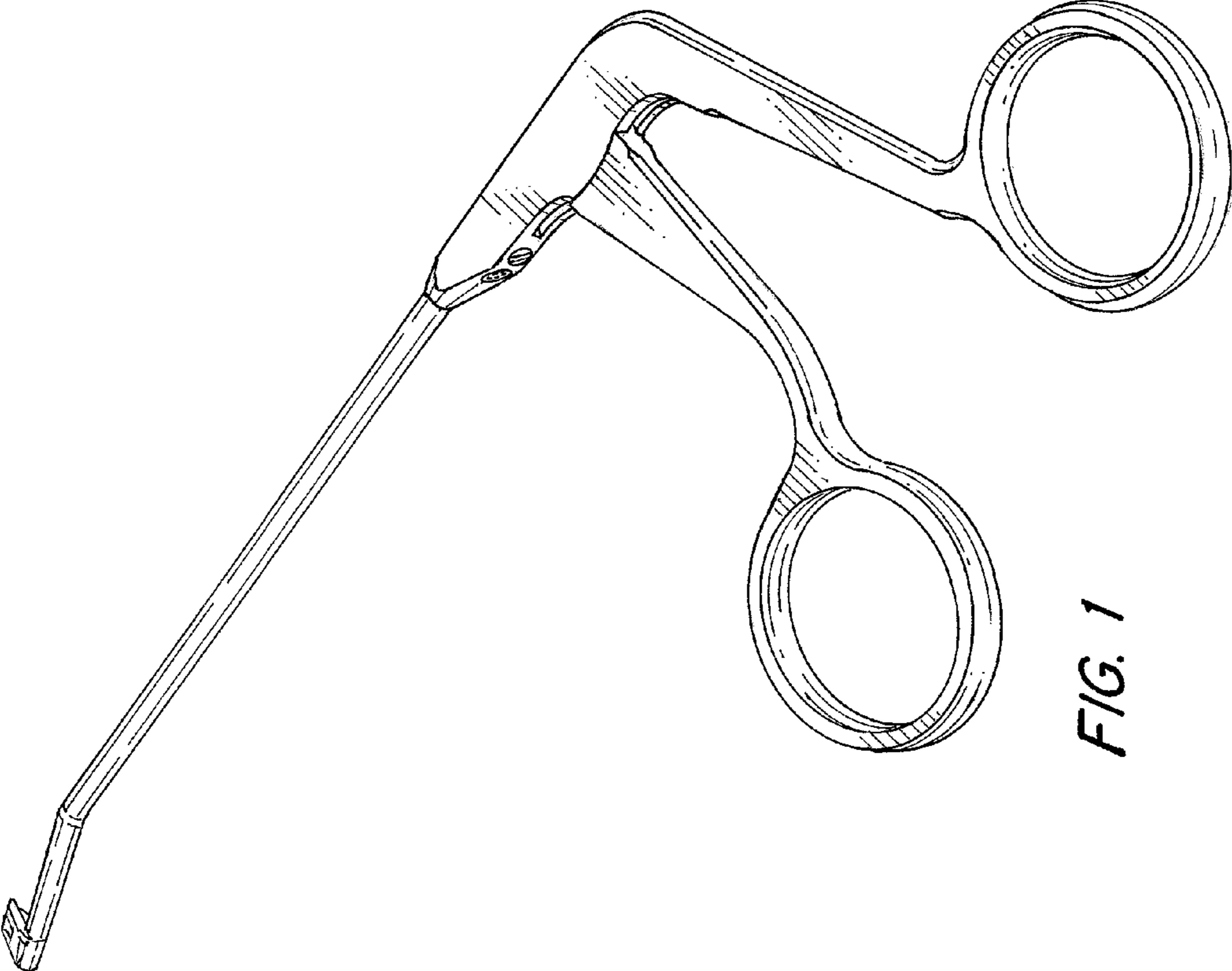
The ornamental design for an antrum punch forceps, as shown and described.

**DESCRIPTION**

FIG. 1 is a bottom left side isometric view of an antrum punch forceps in accordance with the new design; FIG. 2 is a left side isometric view thereof; FIG. 3 is a right side isometric view thereof; FIG. 4 is a top isometric view thereof; FIG. 5 is a bottom isometric view thereof; FIG. 6 is an enlarged front isometric view thereof; and, FIG. 7 is an enlarged rear isometric view thereof. The broken lines shown in FIGS. 1, 2, 5, and 6 represent the bounds of the claimed design and form no part of the claimed design.

**1 Claim, 7 Drawing Sheets**





*FIG. 1*

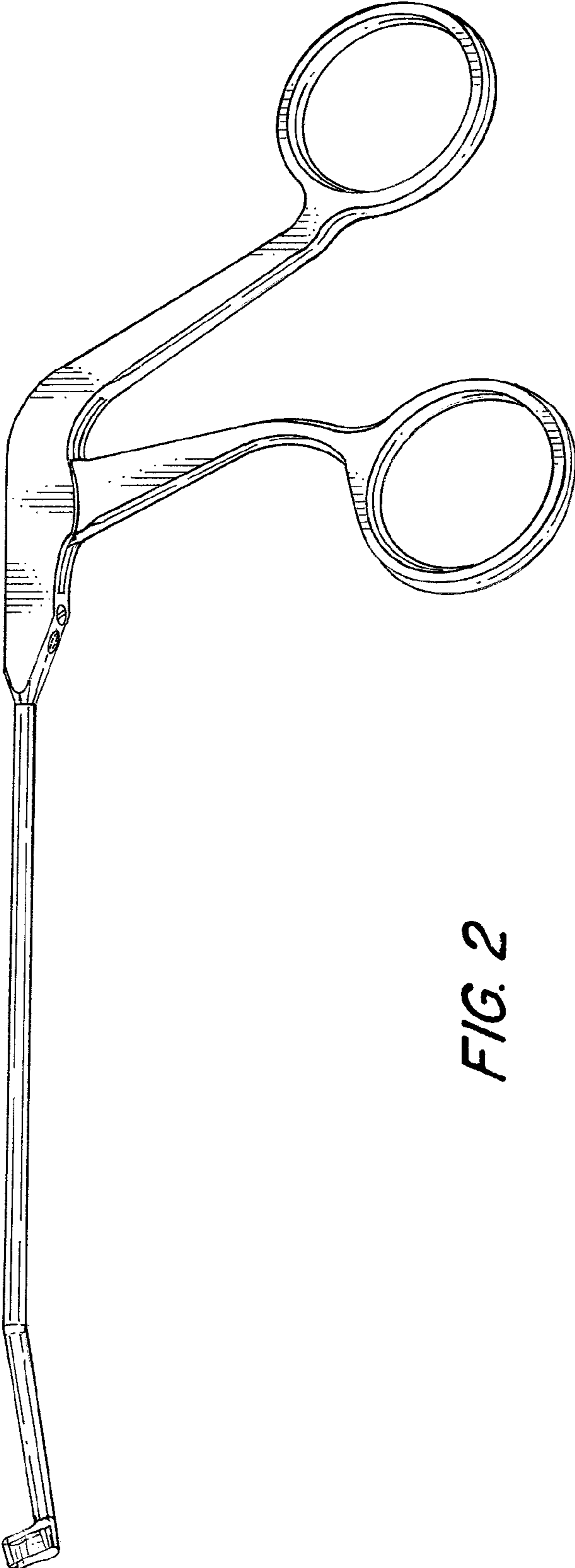


FIG. 2

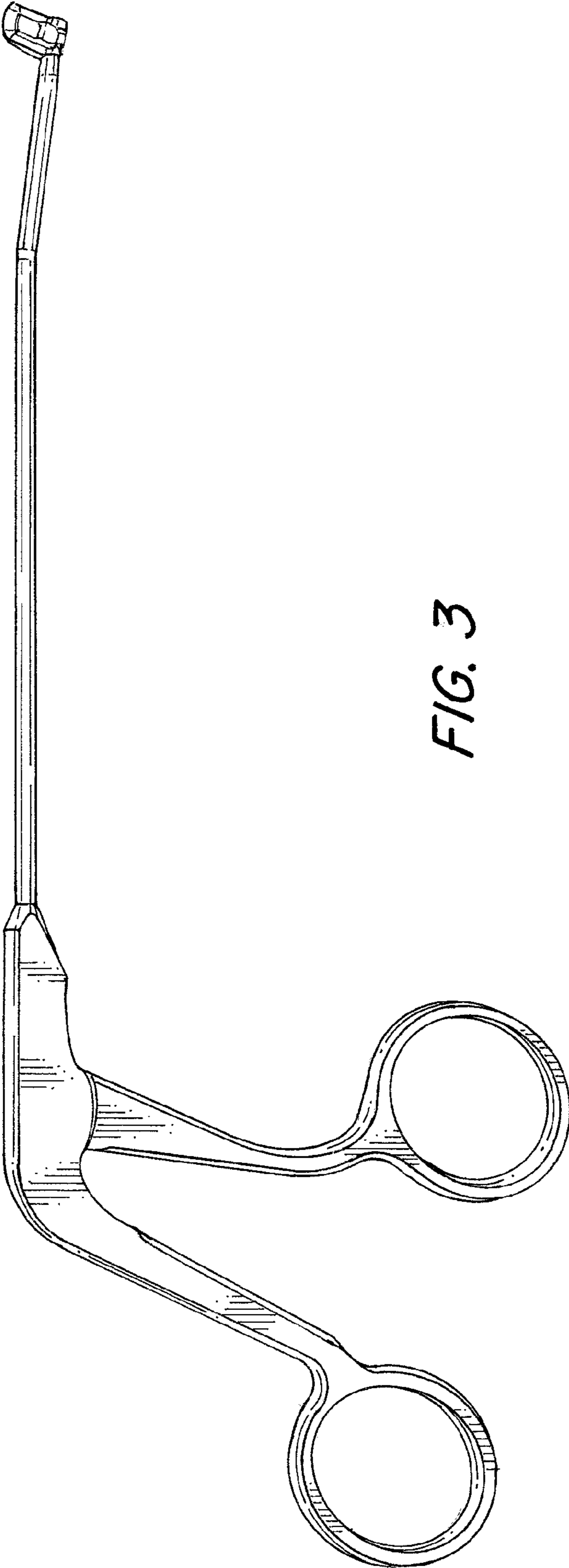
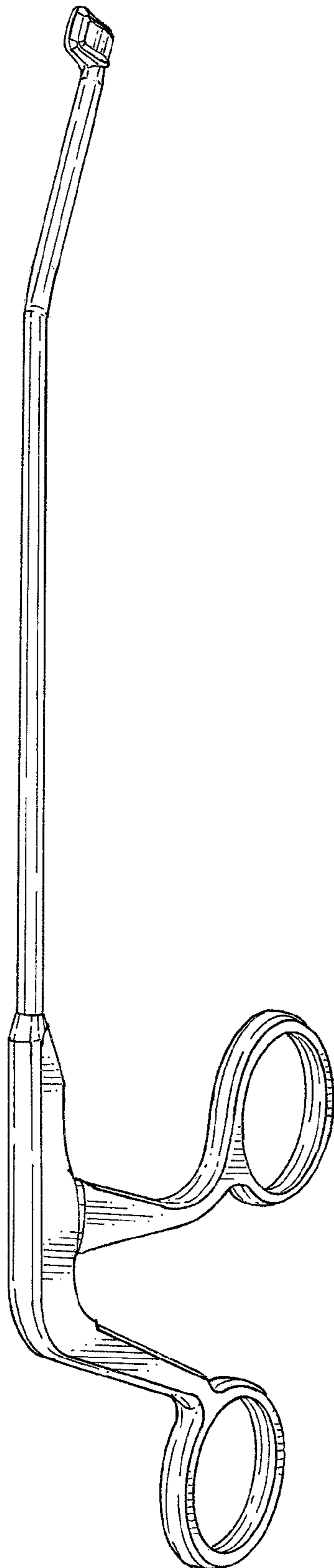


FIG. 3



*FIG. 4*

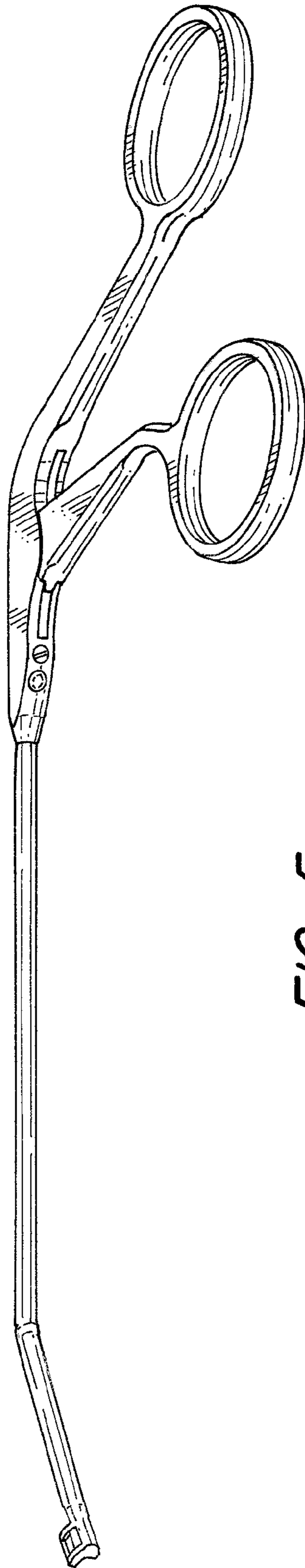


FIG. 5

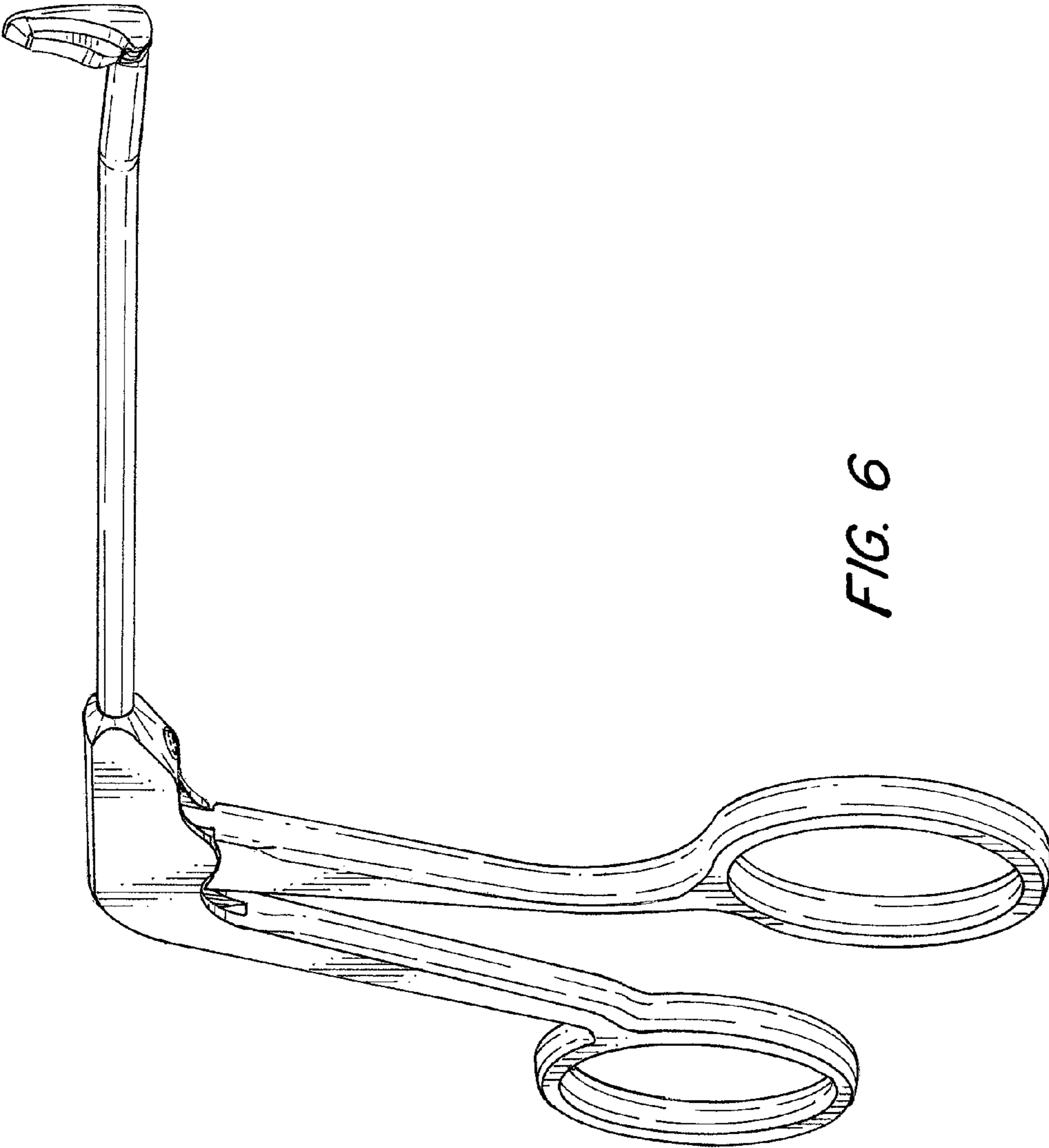


FIG. 6

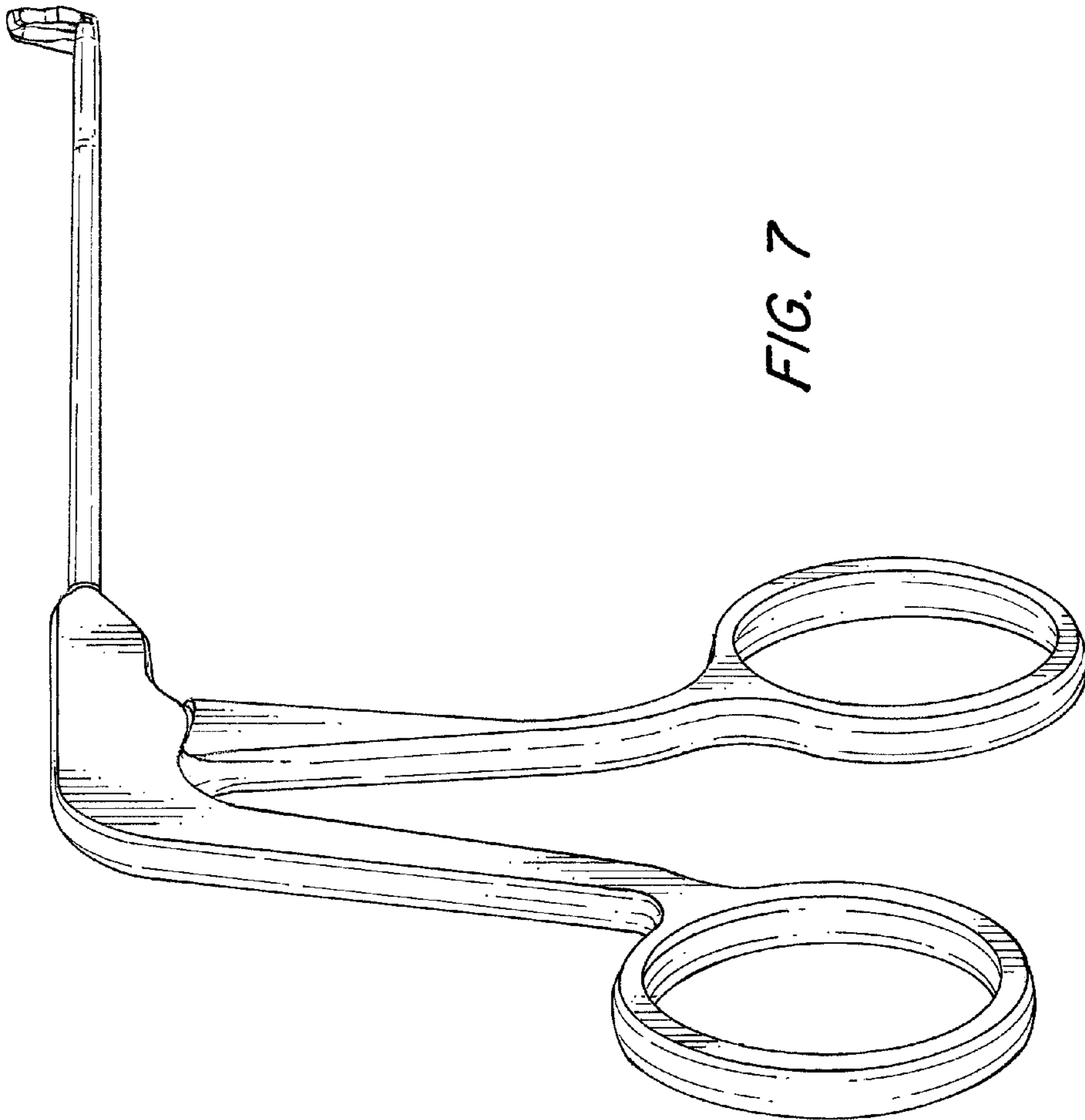


FIG. 7