

US00D669176S

(12) **United States Design Patent**  
**Frey**

(10) **Patent No.:** **US D669,176 S**  
(45) **Date of Patent:** **\*\* Oct. 16, 2012**

(54) **SURGICAL GUIDE**

(76) **Inventor:** **George Frey**, Englewood, CO (US)

(\*\*) **Term:** **14 Years**

(21) **Appl. No.:** **29/409,734**

(22) **Filed:** **Dec. 28, 2011**

**Related U.S. Application Data**

(63) Continuation of application No. 13/172,683, filed on Jun. 29, 2011.

(51) **LOC (9) Cl.** ..... **24-02**

(52) **U.S. Cl.** ..... **D24/140**

(58) **Field of Classification Search** ..... D24/133,  
D24/140, 155; 606/86 R-91, 96-103, 246,  
606/248; 623/17.11, 17.16

See application file for complete search history.

(56) **References Cited**

**U.S. PATENT DOCUMENTS**

D359,557 S *	6/1995	Hayes	.....	D24/140
D403,066 S *	12/1998	DeFonzo	.....	D24/135
D420,132 S *	2/2000	Bucholz et al.	.....	D24/140
D428,989 S *	8/2000	Segemark et al.	.....	D24/135
D532,515 S *	11/2006	Buttler et al.	.....	D24/140
D533,664 S *	12/2006	Buttler et al.	.....	D24/140
7,658,610 B2	2/2010	Knopp		
D618,796 S *	6/2010	Cantu et al.	.....	D24/140
7,844,356 B2	11/2010	Matov et al.		
7,957,824 B2	6/2011	Boronvinskih et al.		
2004/0097925 A1 *	5/2004	Boehm et al.	.....	606/61
2006/0084986 A1 *	4/2006	Grinberg et al.	.....	606/61
2007/0288030 A1	12/2007	Metzger et al.		
2008/0114370 A1	5/2008	Schoenefeld		
2008/0161815 A1	7/2008	Schoenefeld et al.		
2008/0183214 A1 *	7/2008	Copp et al.	.....	606/265
2008/0257363 A1	10/2008	Schoenefeld et al.		

2008/0275452 A1	11/2008	Lang et al.
2008/0312659 A1	12/2008	Metzger et al.
2009/0087276 A1	4/2009	Rose

(Continued)

**FOREIGN PATENT DOCUMENTS**

CN	201275138	7/2009
----	-----------	--------

(Continued)

**OTHER PUBLICATIONS**

Lu et al. "A novel computer-assisted drill guide template for lumbar pedicle screw placement: a cadaveric and clinical study." *The International Journal of Medical Robotics and Computer Assisted Surgery*, Jun. 2009, vol. 5, No. 2, pp. 184-191. (Abstract Only).

(Continued)

*Primary Examiner* — Bridget L Eland  
(74) *Attorney, Agent, or Firm* — Sheridan Ross P.C.

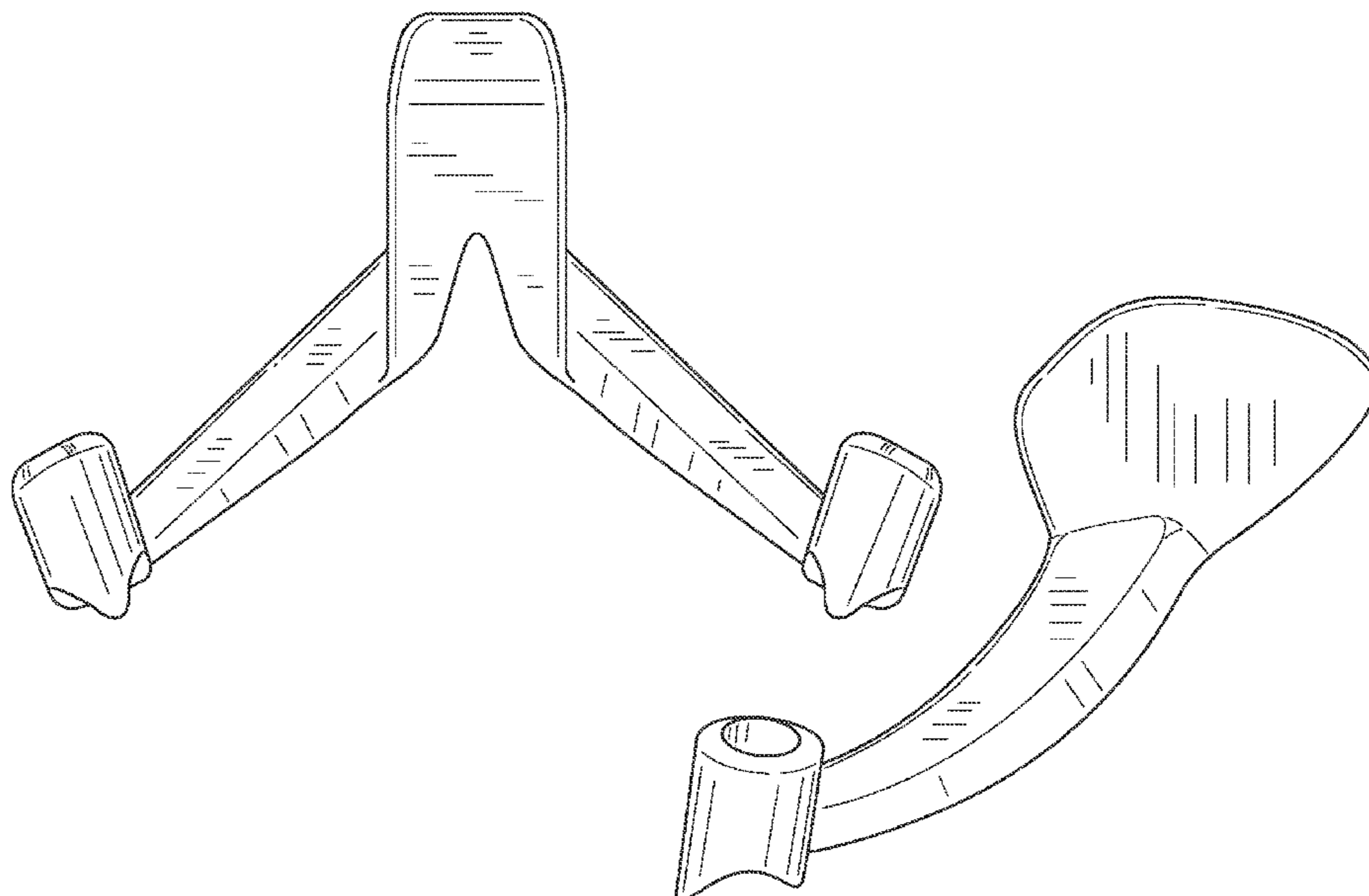
(57) **CLAIM**

The ornamental design for a surgical guide, as shown and described.

**DESCRIPTION**

FIG. 1 is a perspective view of a surgical guide, showing my new design;  
FIG. 2 is a front elevation view of the surgical guide illustrated in FIG. 1;  
FIG. 3 is a rear elevation view of the surgical guide illustrated in FIG. 1;  
FIG. 4 is a right elevation view of the surgical guide illustrated in FIG. 1;  
FIG. 5 is a left elevation view of the surgical guide illustrated in FIG. 1;  
FIG. 6 is a top plan view of the surgical guide illustrated in FIG. 1; and,  
FIG. 7 is a bottom plan view of the surgical guide illustrated in FIG. 1.

**1 Claim, 5 Drawing Sheets**



# US D669,176 S

Page 2

## U.S. PATENT DOCUMENTS

2009/0110498 A1 4/2009 Park  
2009/0138020 A1 5/2009 Park et al.  
2009/0187194 A1\* 7/2009 Hamada ..... 606/104  
2009/0198277 A1\* 8/2009 Gordon et al. .... 606/248  
2009/0254093 A1 10/2009 White et al.  
2009/0270868 A1 10/2009 Park et al.  
2010/0049195 A1 2/2010 Park et al.  
2010/0087829 A1 4/2010 Metzger et al.  
2010/0100193 A1 4/2010 White  
2010/0152782 A1 6/2010 Stone et al.  
2010/0191244 A1 7/2010 White et al.  
2010/0217270 A1 8/2010 Polinski et al.  
2010/0217336 A1 8/2010 Crawford et al.  
2010/0305700 A1\* 12/2010 Ben-Arye et al. .... 623/17.11  
2010/0324692 A1 12/2010 Uthgenannt et al.  
2011/0015636 A1 1/2011 Katrana et al.  
2011/0015639 A1 1/2011 Metzger et al.  
2011/0046735 A1 2/2011 Metzger et al.  
2011/0054478 A1 3/2011 Vanasse et al.  
2011/0071533 A1 3/2011 Metzger et al.  
2011/0093023 A1 4/2011 Lee et al.  
2011/0093086 A1 4/2011 Witt et al.  
2011/0160736 A1 6/2011 Meridew et al.  
2011/0160867 A1 6/2011 Meridew et al.  
2011/0166578 A1 7/2011 Stone et al.  
2011/0184419 A1 7/2011 Meridew et al.  
2011/0184526 A1 7/2011 White et al.  
2011/0190899 A1 8/2011 Pierce et al.  
2011/0213376 A1 9/2011 Maxson et al.  
2011/0218545 A1 9/2011 Catanzarite et al.  
2011/0224674 A1 9/2011 White et al.  
2011/0319745 A1 12/2011 Frey

## FOREIGN PATENT DOCUMENTS

CN 201404283 2/2010  
CN 101390773 11/2010  
CN 101953713 1/2011  
WO WO 2007/145937 12/2007  
WO WO 2008/027549 3/2008  
WO WO 2009/129063 10/2009  
WO WO 2010/148103 12/2010  
WO WO 2011/041398 4/2011  
WO WO 2011/106711 9/2011  
WO WO 2011/109260 9/2011

## OTHER PUBLICATIONS

Lu et al. "A Novel Patient-Specific Navigational Template for Cervical Pedicle Screw Placement," Spine, Dec. 15, 2009, vol. 34, No. 26, pp. E959-E966 (Abstract Only).  
Owen et al. "Rapid prototype patient-specific drill template for cervical pedicle screw placement." Computer Aided Surgery, Sep. 2007, vol. 12, No. 5, pp. 303-308 (Abstract Only).  
Ryken et al. "Image-based drill templates for cervical pedicle screw placement Laboratory investigation," Journal of Neurosurgery, Jan. 2009, vol. 10, No. 1 (Abstract Only).  
Yin et al. "Computer aid designed digital targeting template of pedicle of vertebral arch for atlantoaxial nailing," IT in Medicine & Education, 2009. ITIME '09. Aug. 14-16, 2009, vol. 1 (Abstract Only).

\* cited by examiner

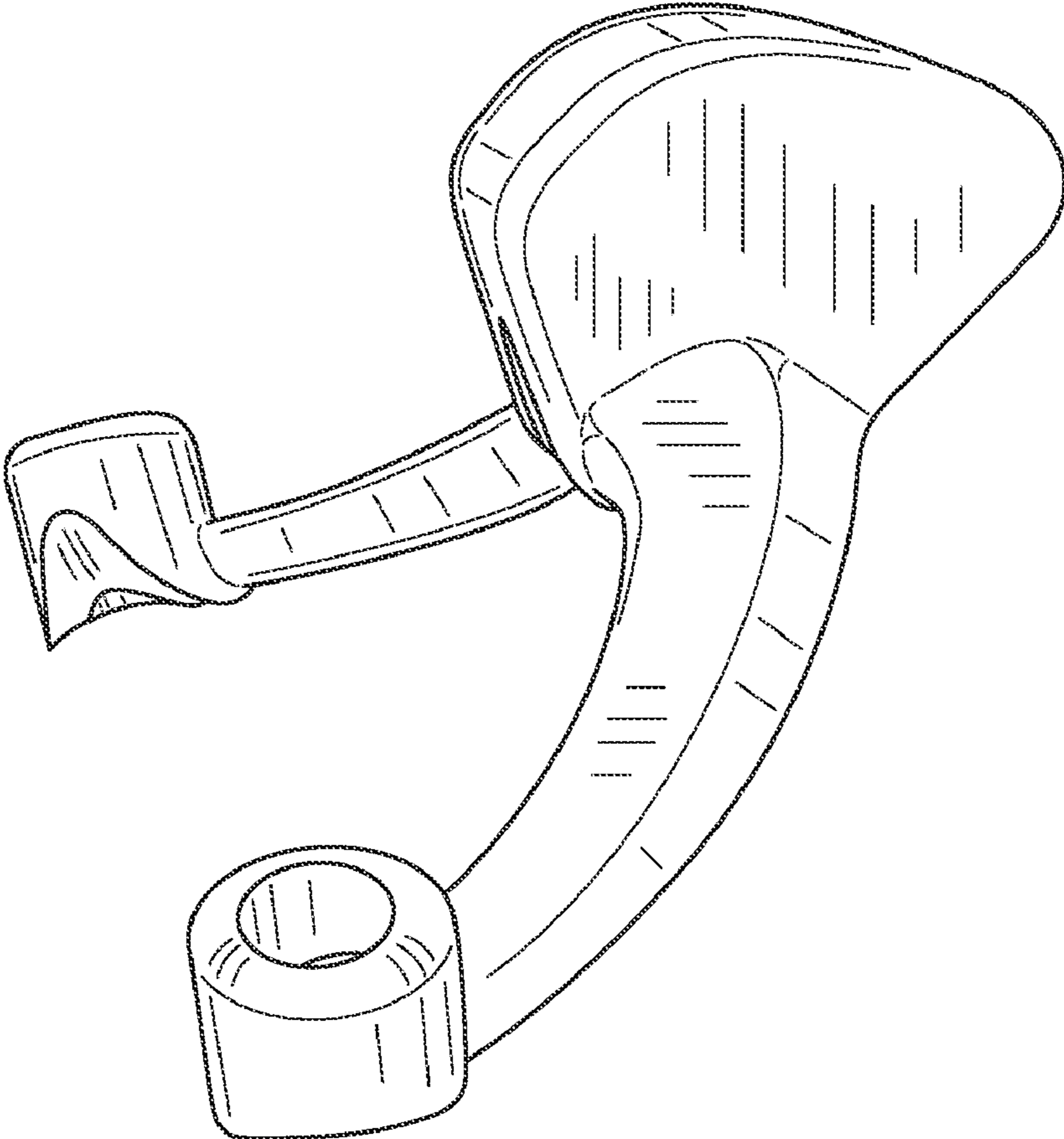


FIG.1

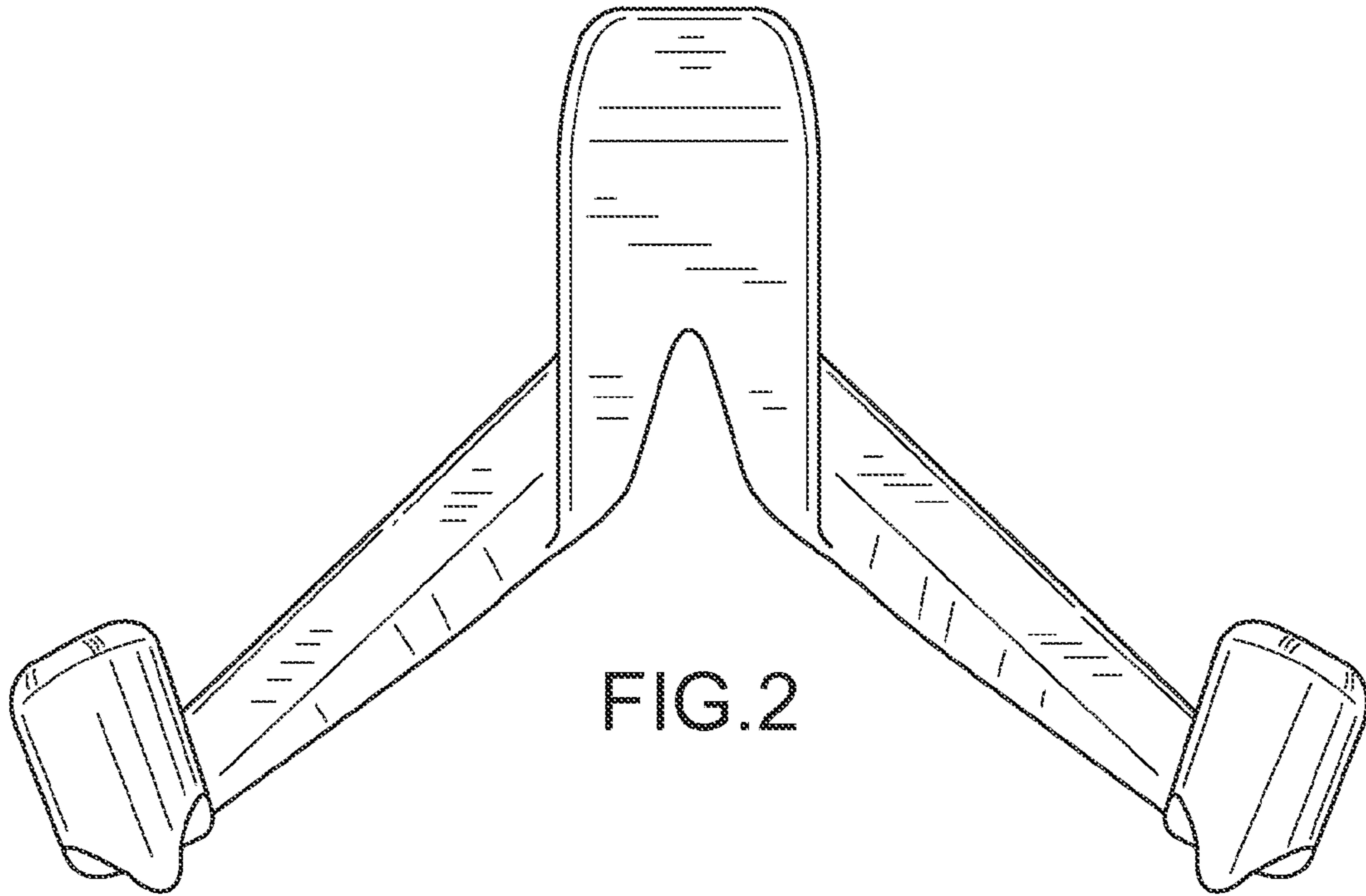


FIG. 2

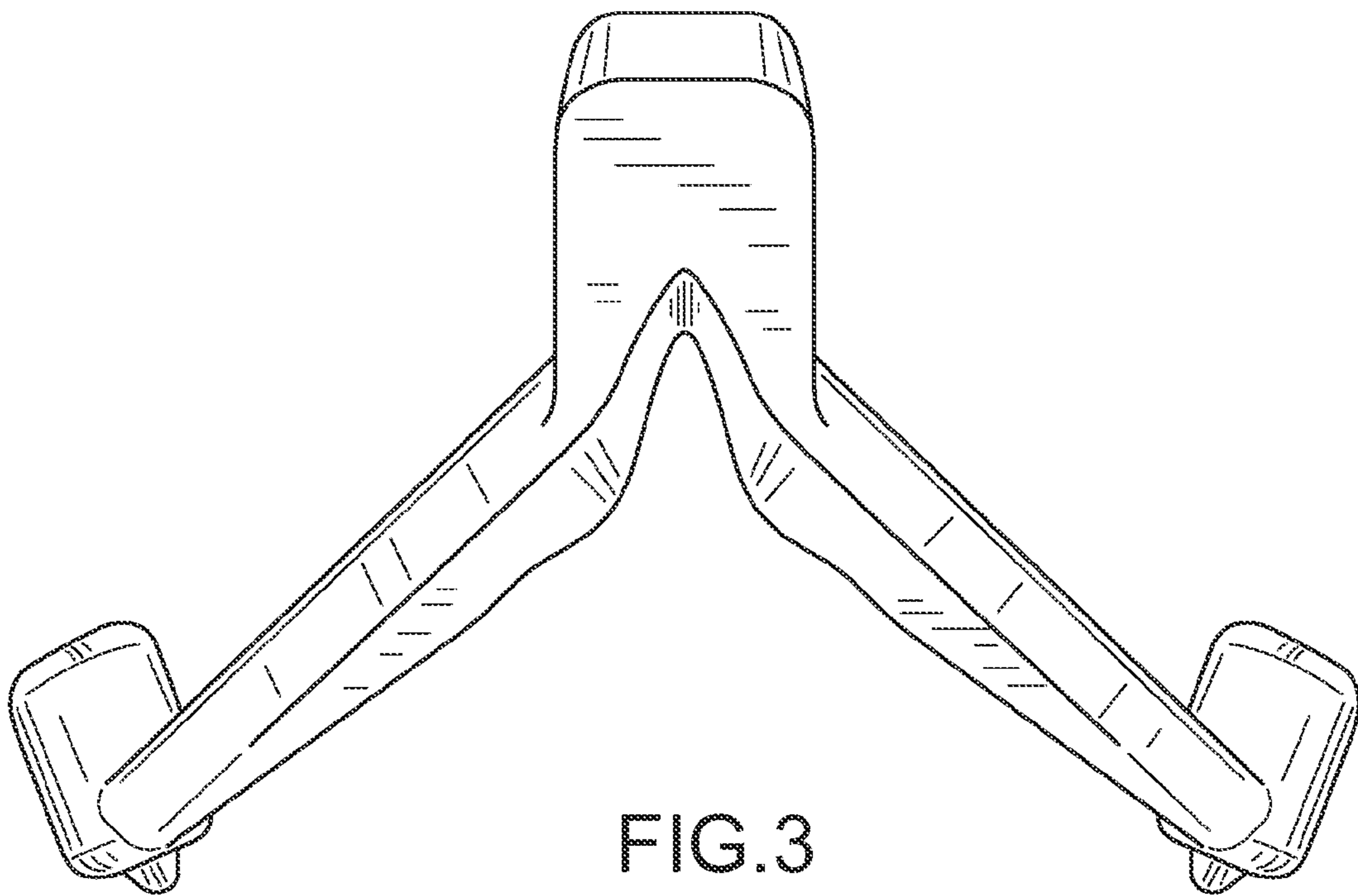


FIG. 3

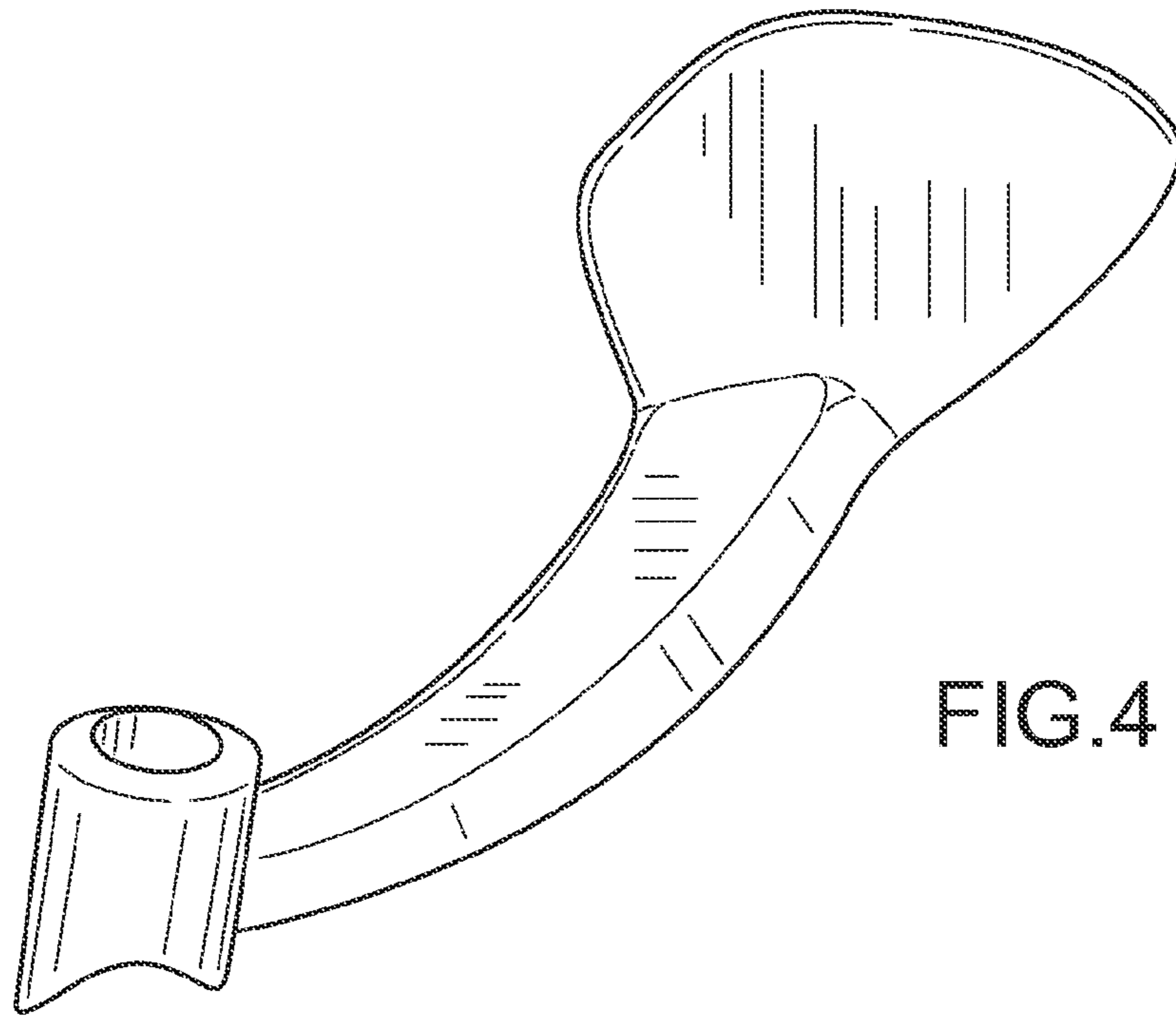


FIG. 4

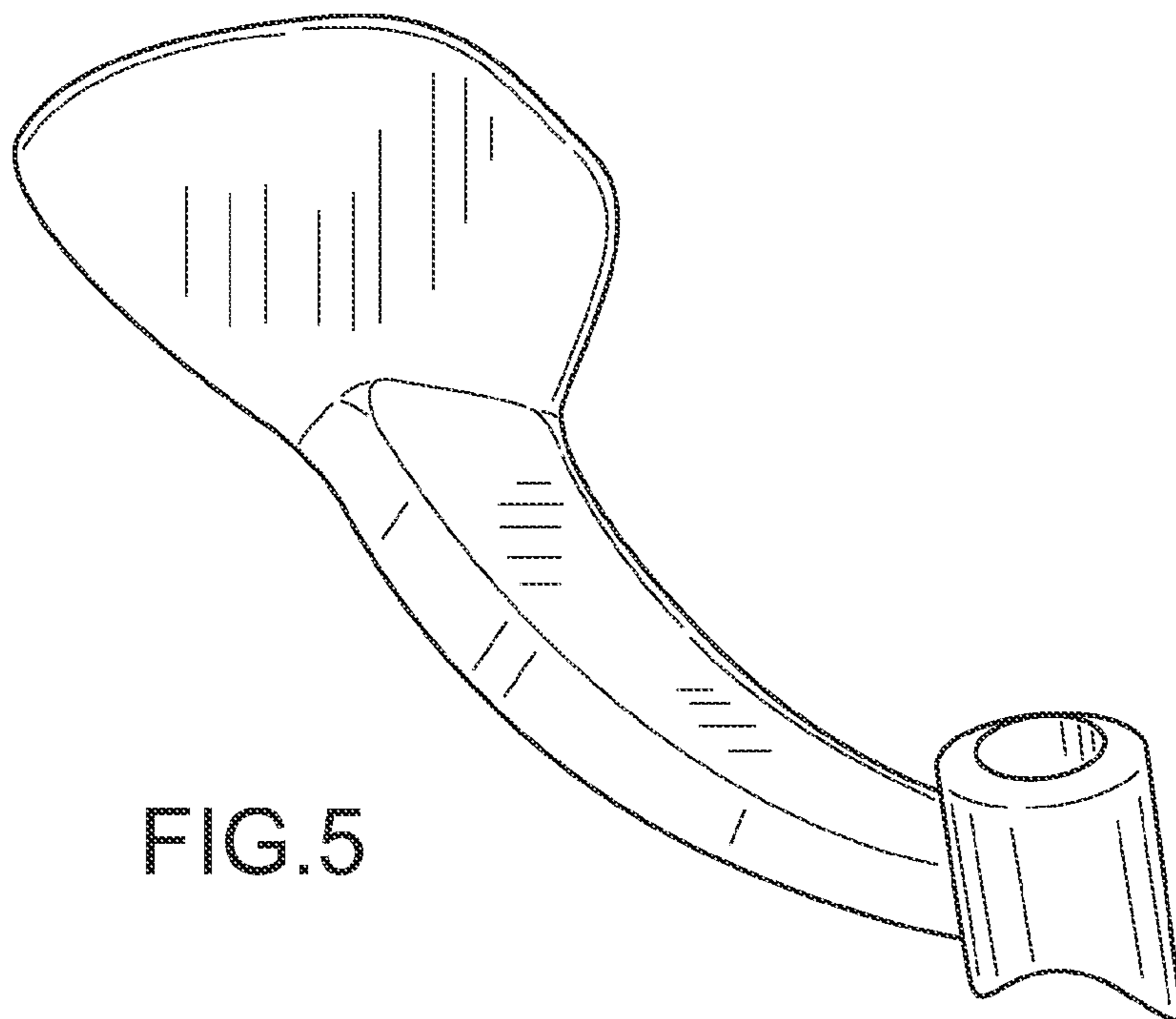


FIG. 5

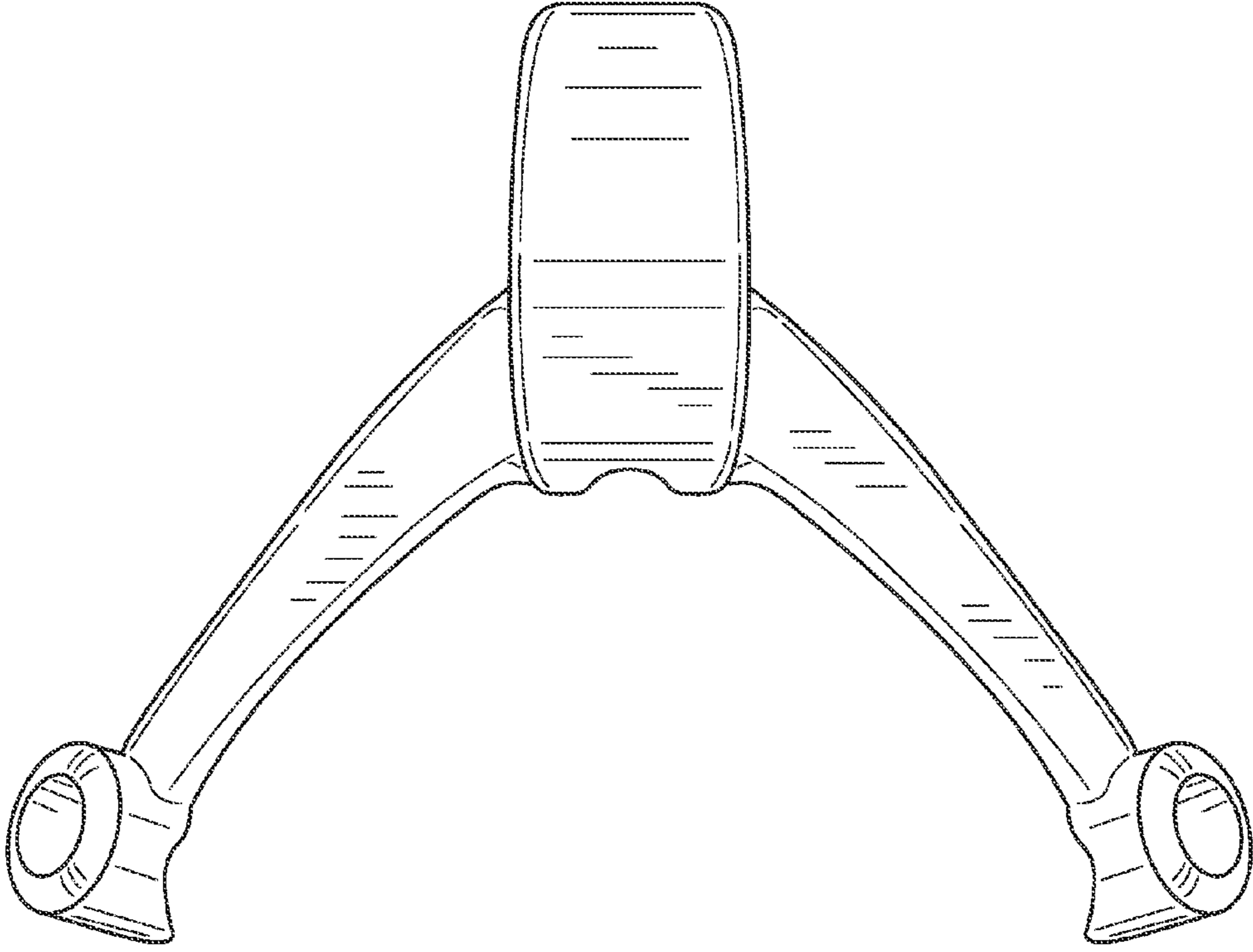


FIG.6

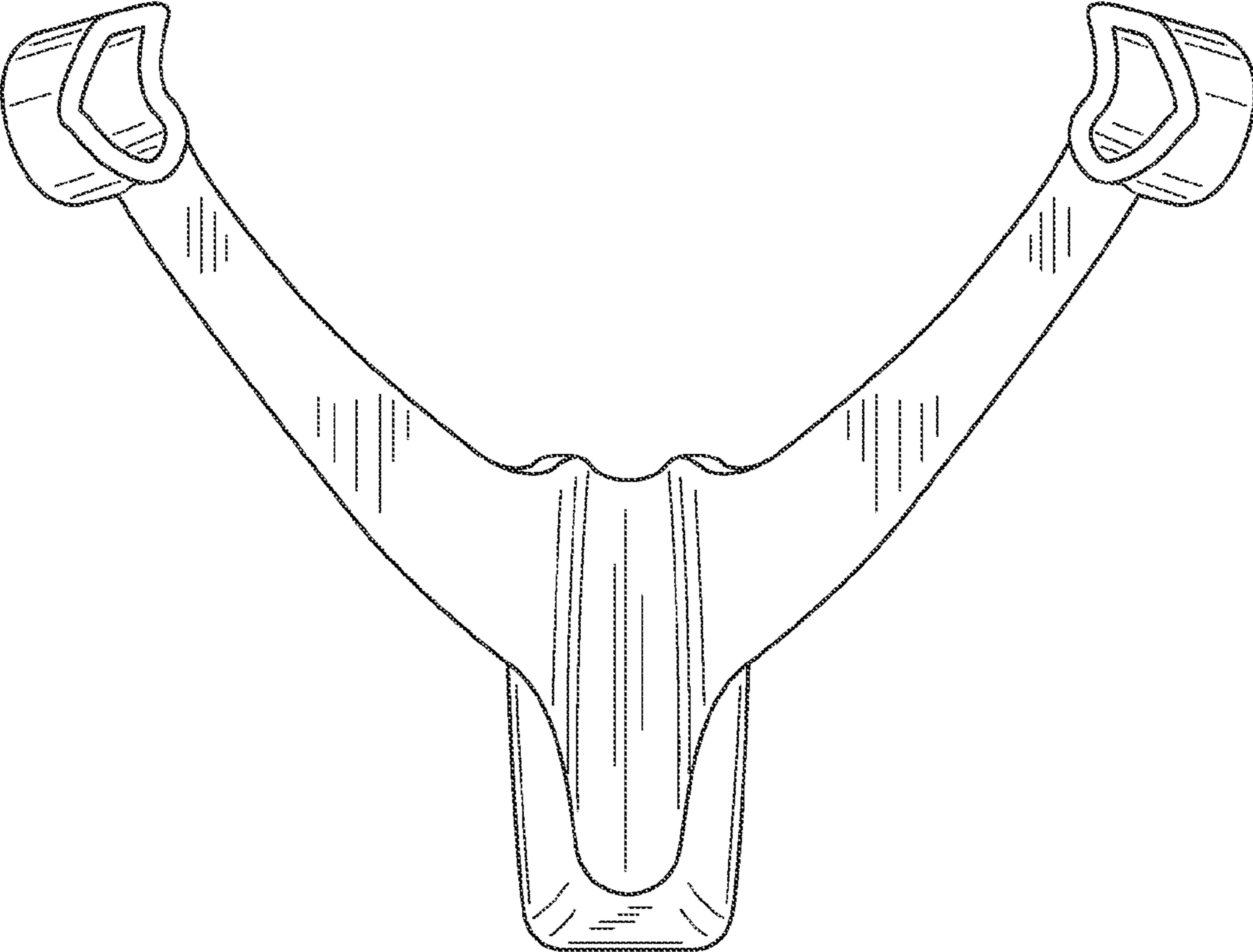


FIG.7