



US00D669175S

(12) **United States Design Patent**  
**Makowski et al.**

(10) **Patent No.:** **US D669,175 S**

(45) **Date of Patent:** **\*\* Oct. 16, 2012**

(54) **HANDLE FOR MEDICAL DEVICE**

(75) Inventors: **Thomas Makowski**, Messstetten (DE);  
**Tönis Pilvisto**, Küla (EE); **Viktor Josef Wimmer**, Seon (DE)

(73) Assignee: **Karl Storz GmbH & Co. KG**,  
Tuttlingen (DE)

(\*\*) Term: **14 Years**

(21) Appl. No.: **29/403,068**

(22) Filed: **Sep. 30, 2011**

(30) **Foreign Application Priority Data**

Mar. 31, 2011 (EM) ..... 001844184-0016

(51) **LOC (9) Cl.** ..... **24-02**

(52) **U.S. Cl.** ..... **D24/138**

(58) **Field of Classification Search** ..... D24/138,  
D24/137, 133; 600/101-183

See application file for complete search history.

(56) **References Cited**

**U.S. PATENT DOCUMENTS**

|               |         |                 |       |         |
|---------------|---------|-----------------|-------|---------|
| D269,457 S *  | 6/1983  | Ishiwara        | ..... | D24/138 |
| D277,405 S *  | 1/1985  | Imada           | ..... | D24/138 |
| 5,667,476 A * | 9/1997  | Frassica et al. | ..... | 600/149 |
| D486,910 S *  | 2/2004  | Hayamizu et al. | ..... | D24/138 |
| D493,529 S *  | 7/2004  | Hayamizu et al. | ..... | D24/138 |
| D498,846 S *  | 11/2004 | Hayamizu et al. | ..... | D24/138 |
| D638,937 S *  | 5/2011  | Tanaka          | ..... | D24/138 |

|                   |        |                 |       |         |
|-------------------|--------|-----------------|-------|---------|
| 2002/0091303 A1 * | 7/2002 | Ootawara et al. | ..... | 600/106 |
| 2008/0119696 A1 * | 5/2008 | Moriyama        | ..... | 600/146 |
| 2009/0112060 A1 * | 4/2009 | Sugiyama et al. | ..... | 600/104 |
| 2009/0192357 A1 * | 7/2009 | Torii           | ..... | 600/149 |
| 2009/0227841 A1 * | 9/2009 | Miyako et al.   | ..... | 600/139 |
| 2010/0100100 A1 * | 4/2010 | Refai et al.    | ..... | 606/99  |

\* cited by examiner

*Primary Examiner* — Bridget L Eland

(74) *Attorney, Agent, or Firm* — Muncy, Geissler, Olds & Lowe, PLLC

(57) **CLAIM**

The ornamental design for a handle for medical device, as shown and described.

**DESCRIPTION**

FIG. 1 is a left side perspective view of a handle for medical device according to the present invention.

FIG. 2 is a right side perspective view of the handle for medical device of FIG. 1.

FIG. 3 is a front perspective view of the handle for medical device of FIG. 1.

FIG. 4 is a rear perspective view of the handle for medical device of FIG. 1.

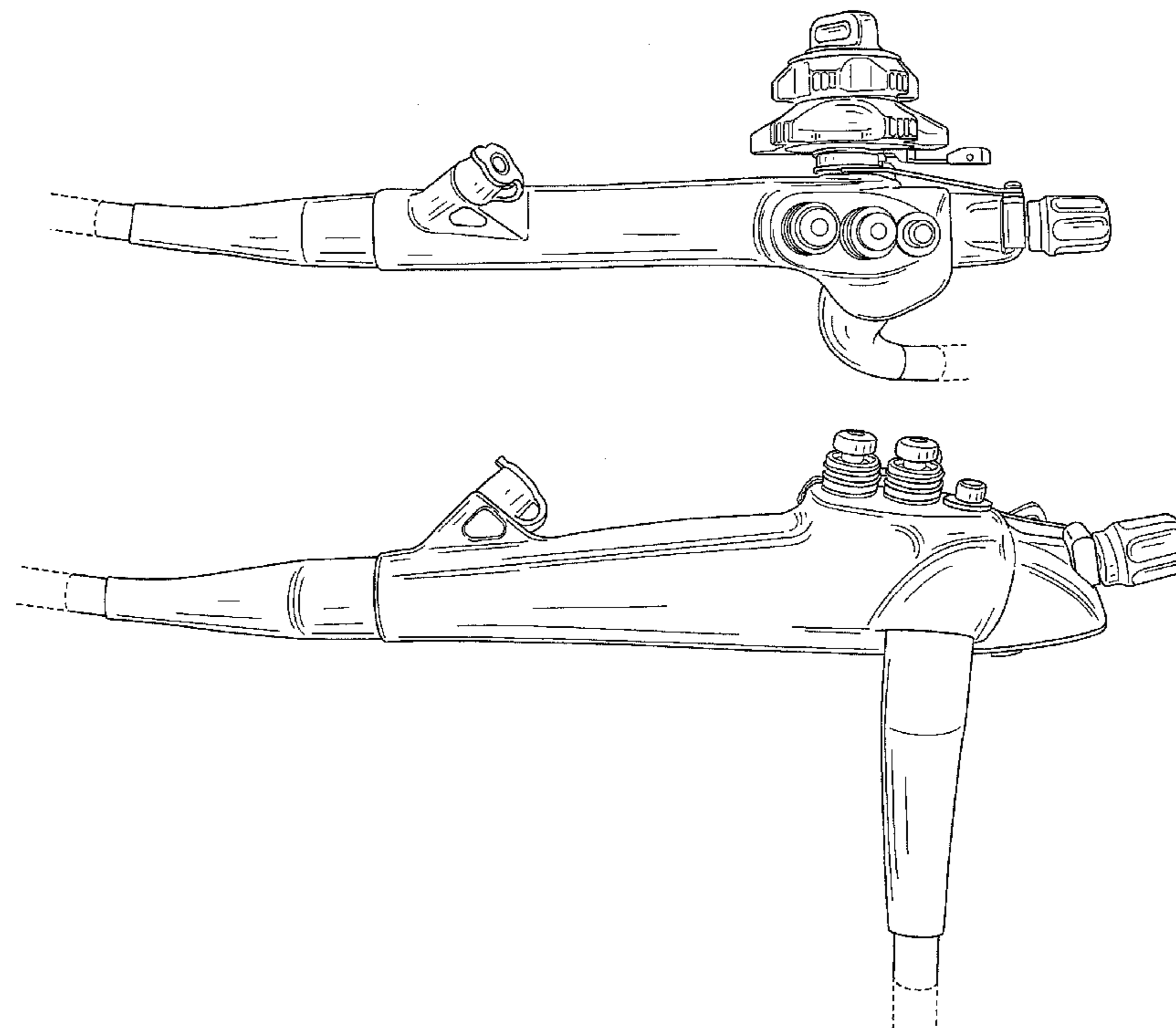
FIG. 5 is a top perspective view of the handle for medical device of FIG. 1.

FIG. 6 is a bottom perspective view of the handle for medical device of FIG. 1; and,

FIG. 7 is a three quarter view of the handle for medical device of FIG. 1.

The dashed lines illustrate environment that does not form a part of the present invention, and no claim is made to the material illustrated with dashed lines.

**1 Claim, 7 Drawing Sheets**



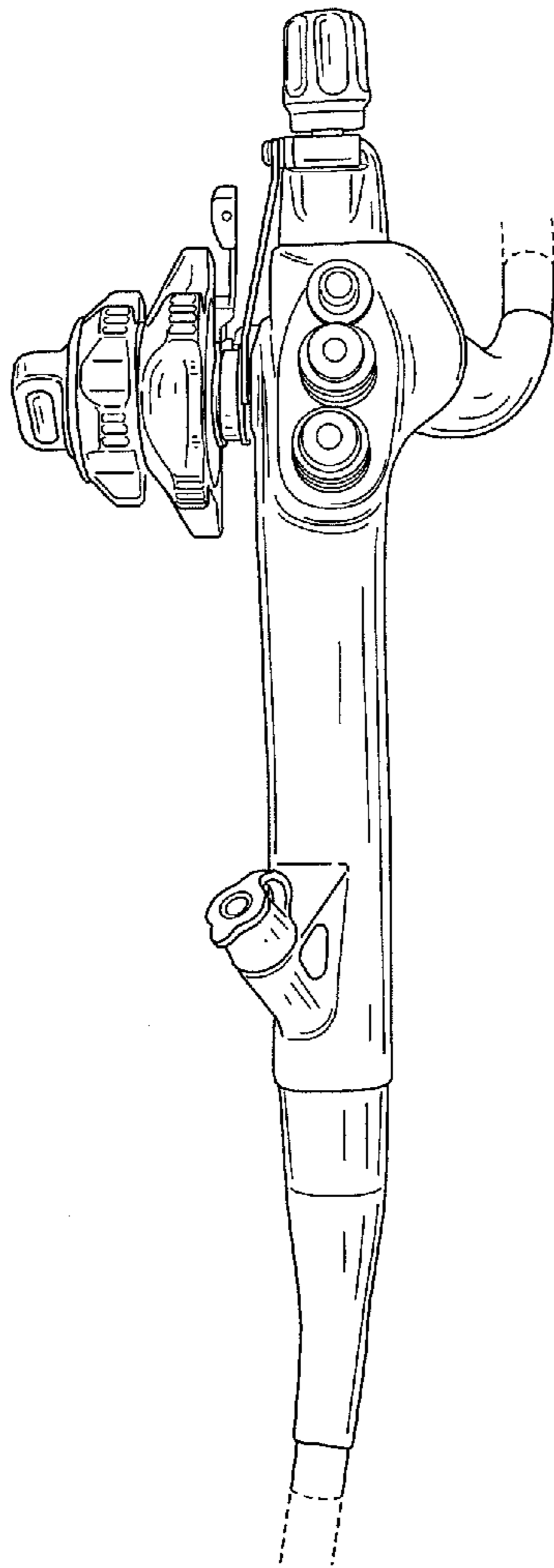


FIG. 1

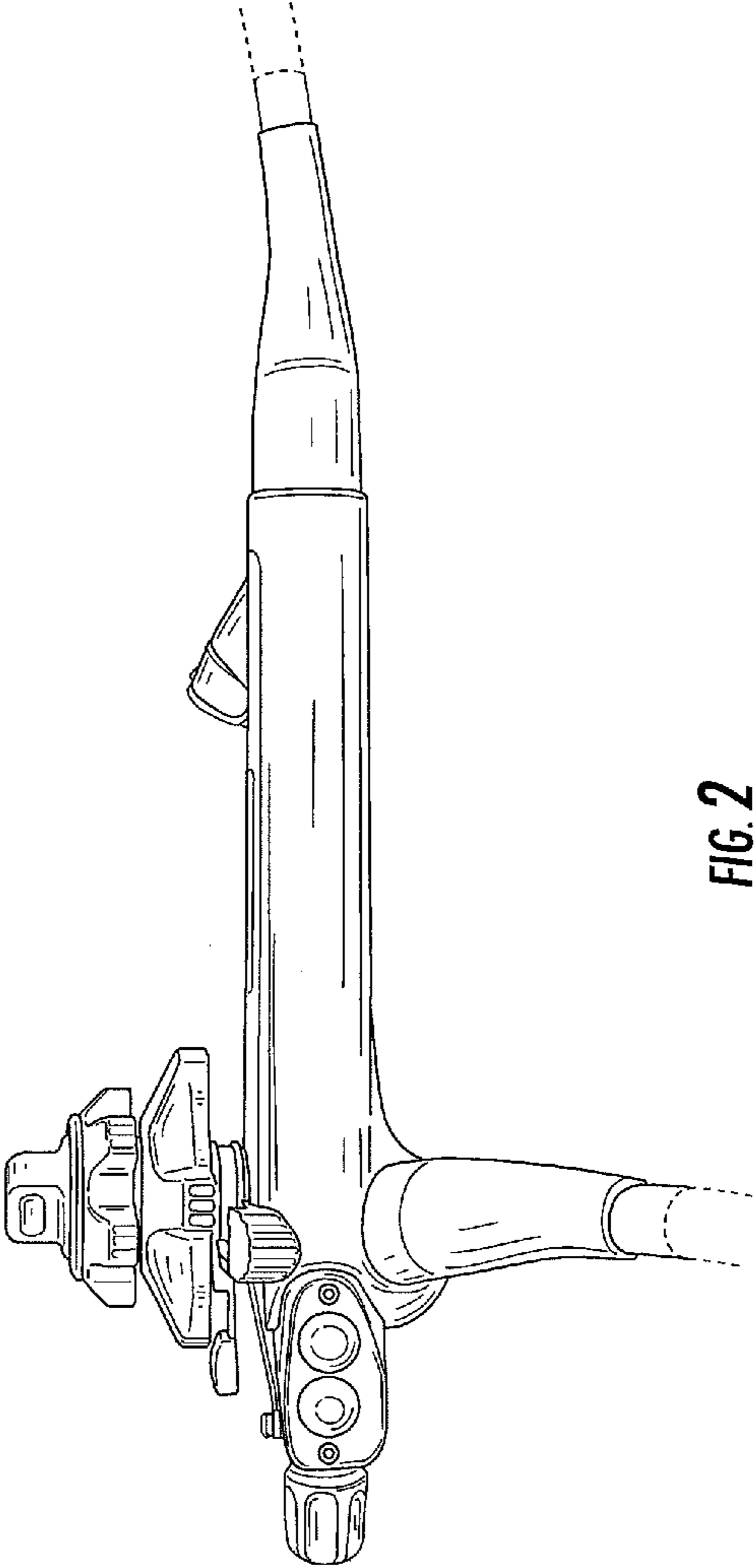


FIG. 2

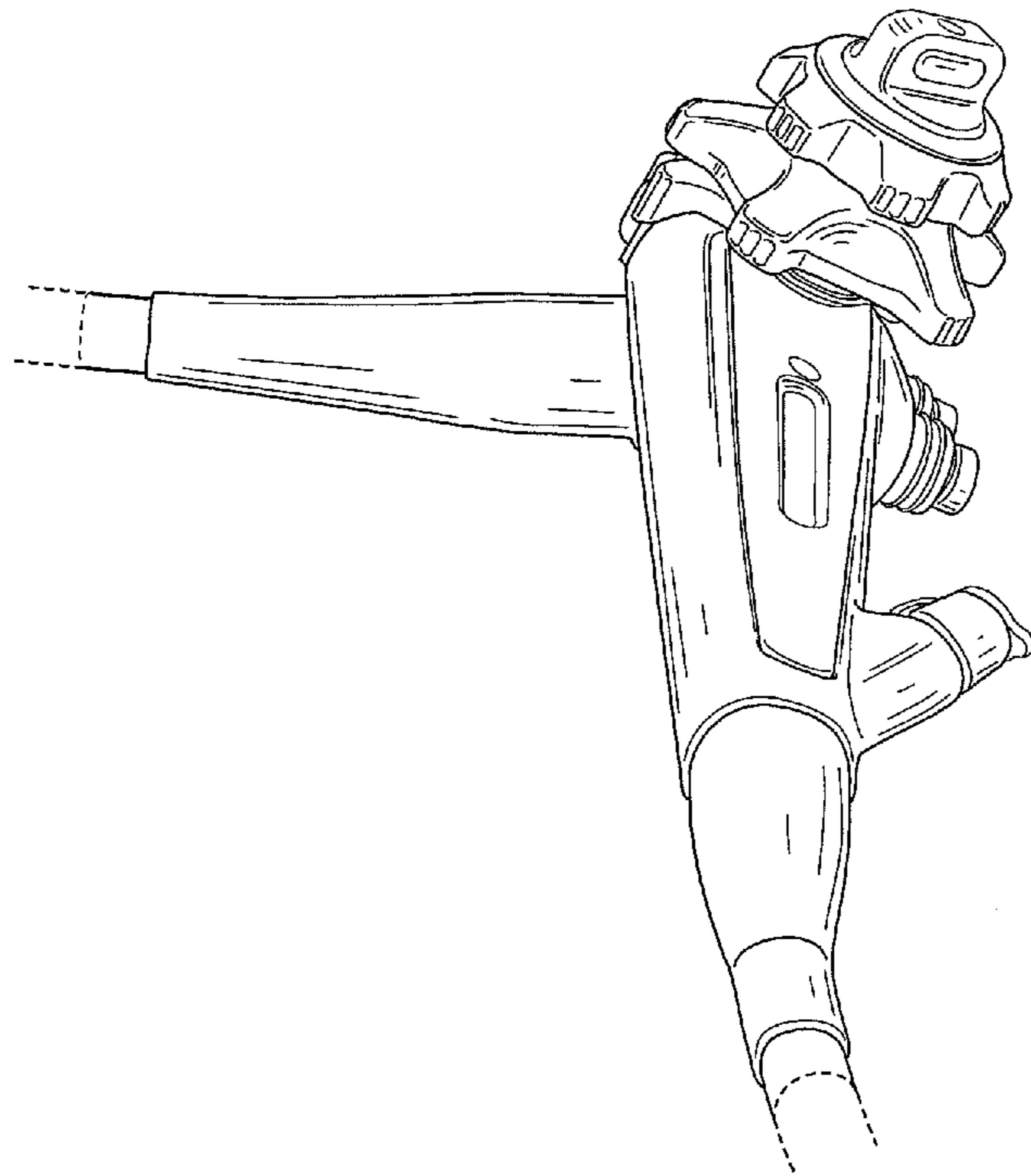


FIG. 3

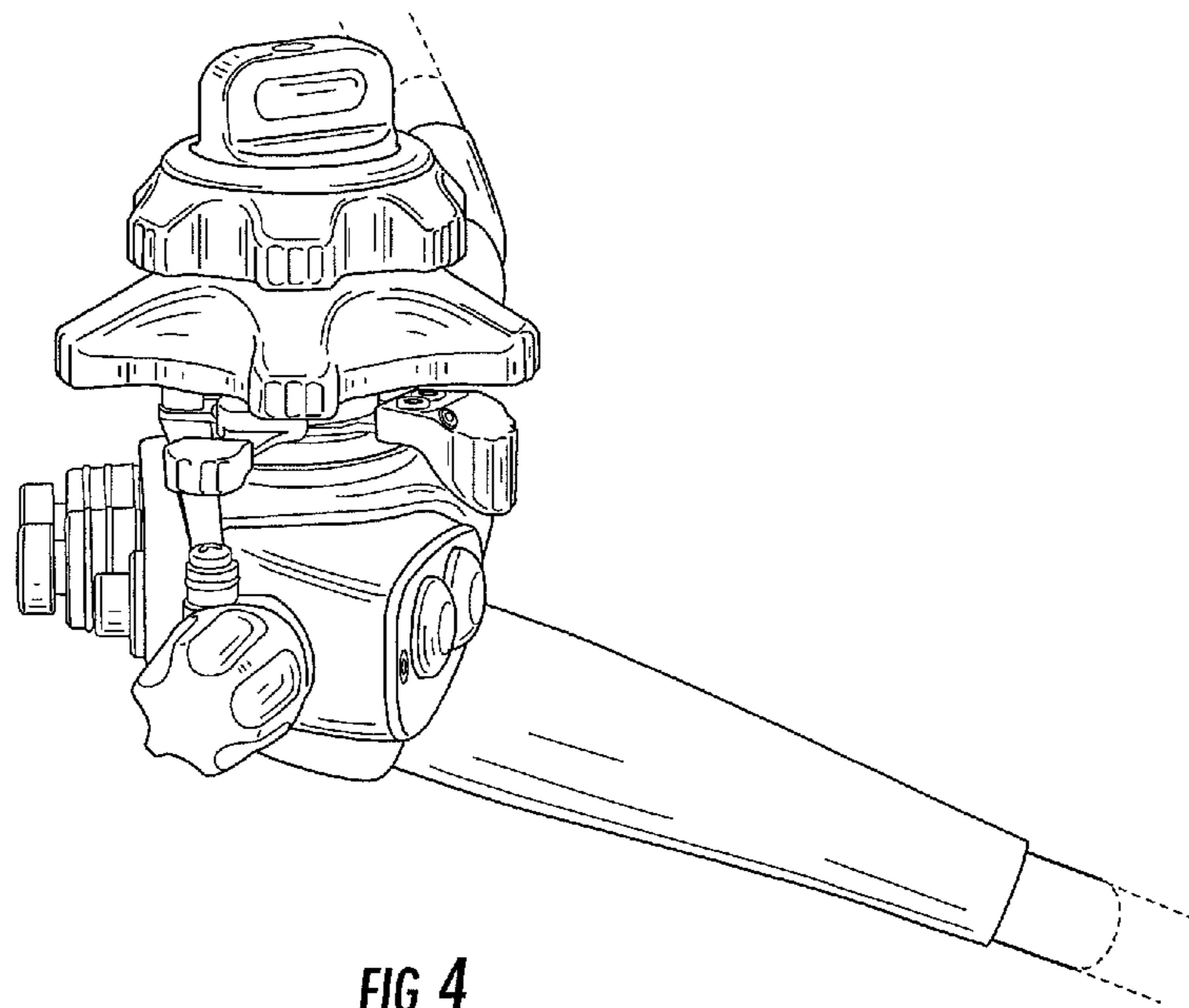


FIG. 4

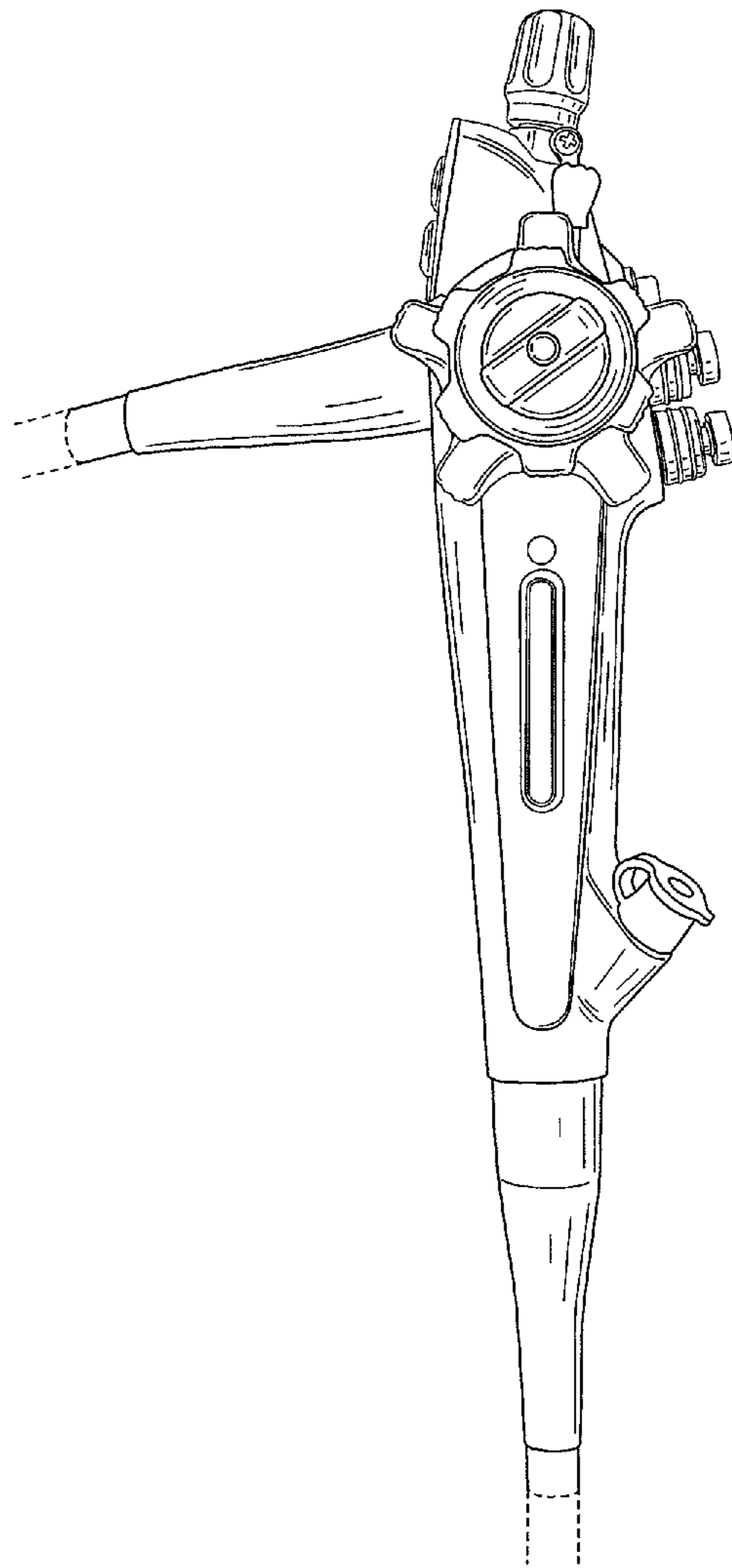


FIG. 5

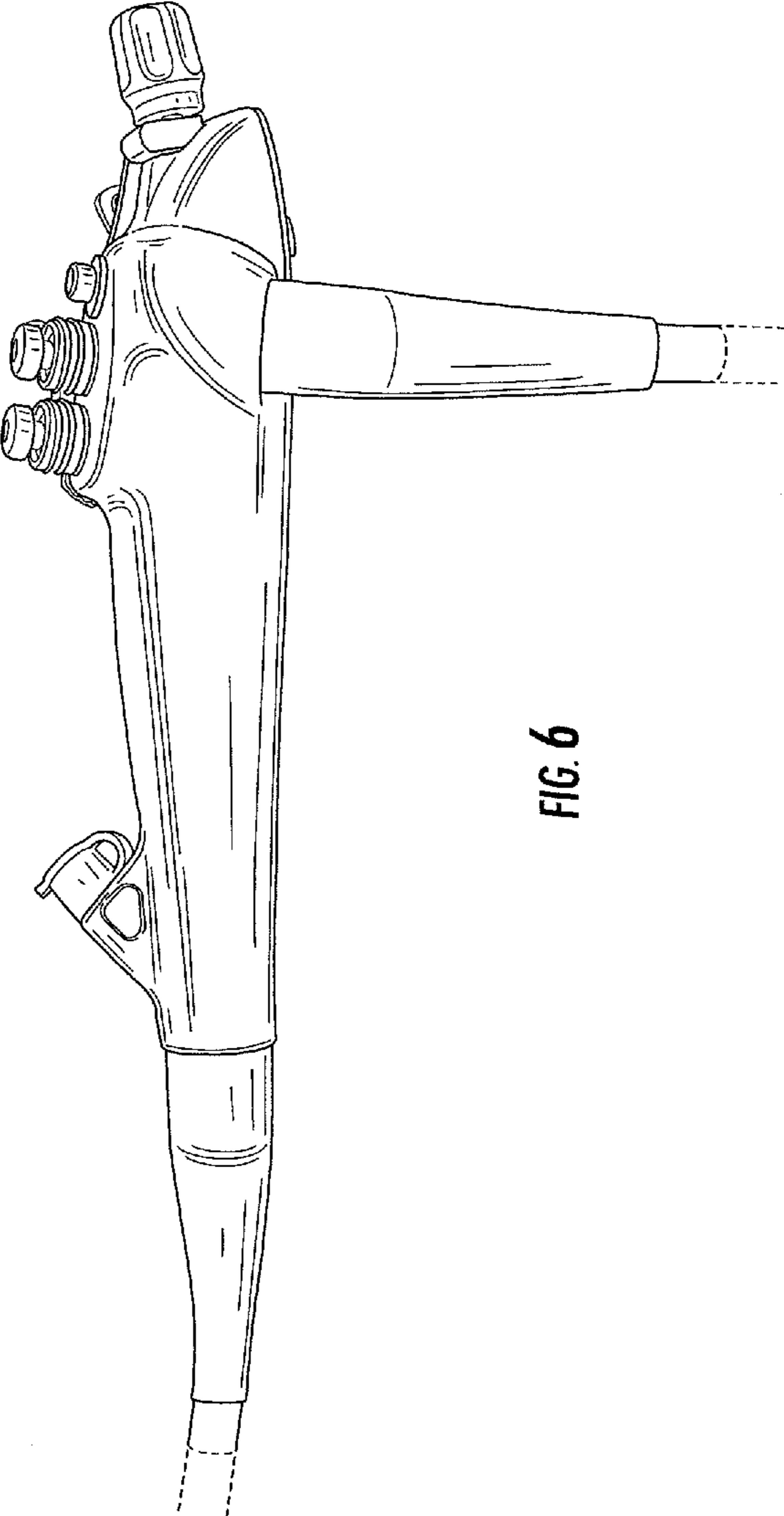


FIG. 6

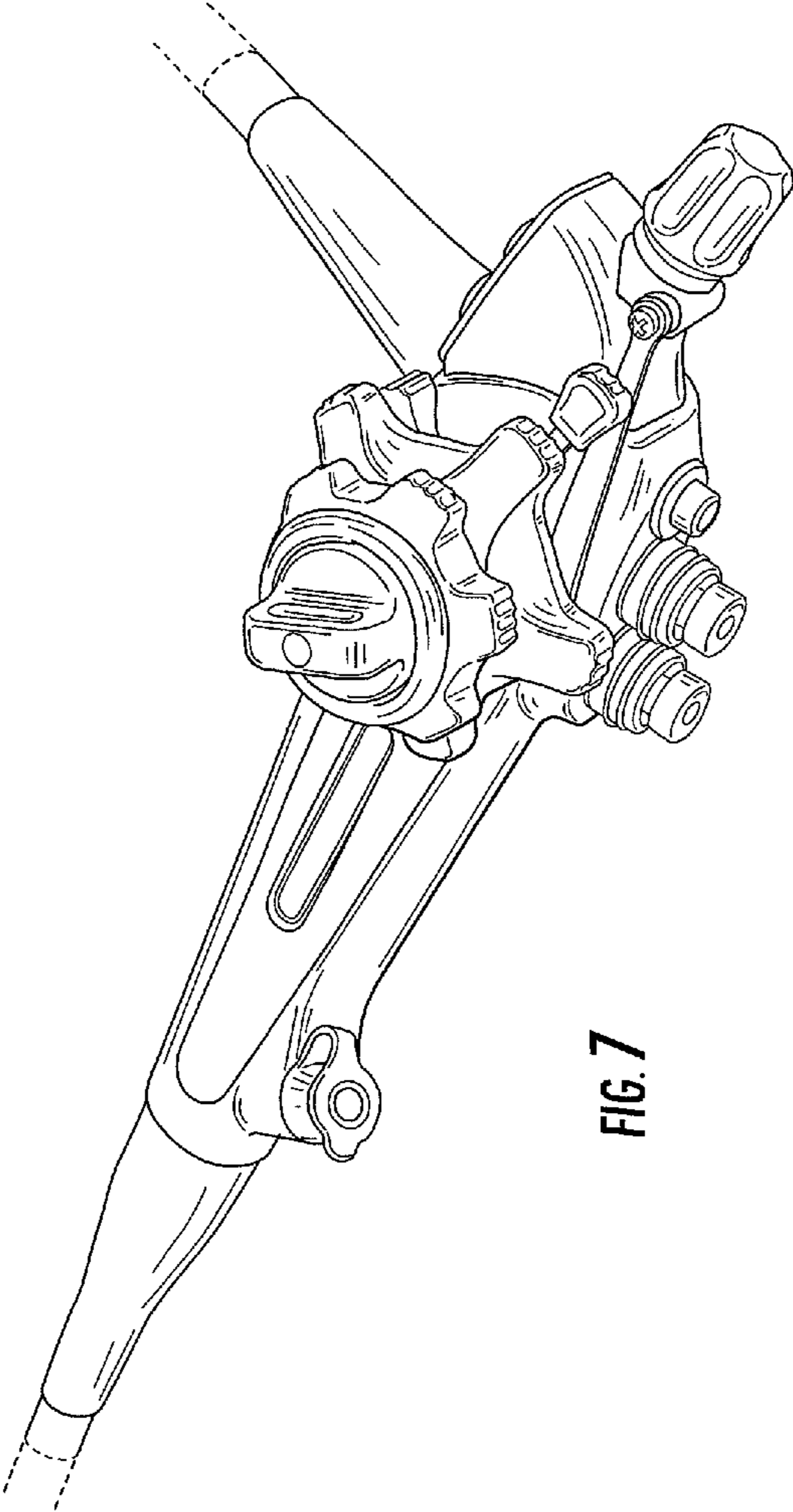


FIG. 7