

US00D669174S

(12) **United States Design Patent**
Makowski et al.

(10) **Patent No.:** **US D669,174 S**

(45) **Date of Patent:** **** Oct. 16, 2012**

(54) **HANDLE FOR MEDICAL DEVICE**

(75) Inventors: **Thomas Makowski**, Messstetten (DE);
Tönis Pilvisto, Kõla (EE); **Viktor Josef Wimmer**, Seon (DE)

(73) Assignee: **Karl Storz GmbH & Co. KG**,
Tuttlingen (DE)

(**) Term: **14 Years**

(21) Appl. No.: **29/402,953**

(22) Filed: **Sep. 29, 2011**

(30) **Foreign Application Priority Data**

Mar. 31, 2011 (EM) 001844184-0014

(51) **LOC (9) Cl.** **24-02**

(52) **U.S. Cl.** **D24/138**

(58) **Field of Classification Search** D24/138,
D24/137, 133; 600/101-183

See application file for complete search history.

(56) **References Cited**

U.S. PATENT DOCUMENTS

D277,505	S	*	2/1985	Kubokawa et al.	D24/138
6,443,888	B1	*	9/2002	Ogura et al.	600/132
D484,594	S	*	12/2003	Hayamizu	D24/138
D486,910	S	*	2/2004	Hayamizu et al.	D24/138
D493,529	S	*	7/2004	Hayamizu et al.	D24/138
D498,846	S	*	11/2004	Hayamizu et al.	D24/138
D638,937	S	*	5/2011	Tanaka	D24/138

D648,023	S	*	11/2011	Nohara et al.	D24/138
2002/0013510	A1	*	1/2002	Moriyama	600/118
2002/0103416	A1	*	8/2002	Arai	600/109
2004/0193011	A1	*	9/2004	Akiba	600/122
2004/0225191	A1	*	11/2004	Sekine et al.	600/178
2007/0255100	A1	*	11/2007	Barlow et al.	600/114

* cited by examiner

Primary Examiner — Bridget L Eland

(74) *Attorney, Agent, or Firm* — Muncy, Geissler, Olds & Lowe, PLLC

(57) **CLAIM**

The ornamental design for a handle for medical device, as shown and described.

DESCRIPTION

FIG. 1 is a left side perspective view of a handle for medical device according to the present invention;

FIG. 2 is a right side perspective view of the handle for medical device of FIG. 1;

FIG. 3 is a front perspective view of the handle for medical device of FIG. 1;

FIG. 4 is a rear perspective view of the handle for medical device of FIG. 1;

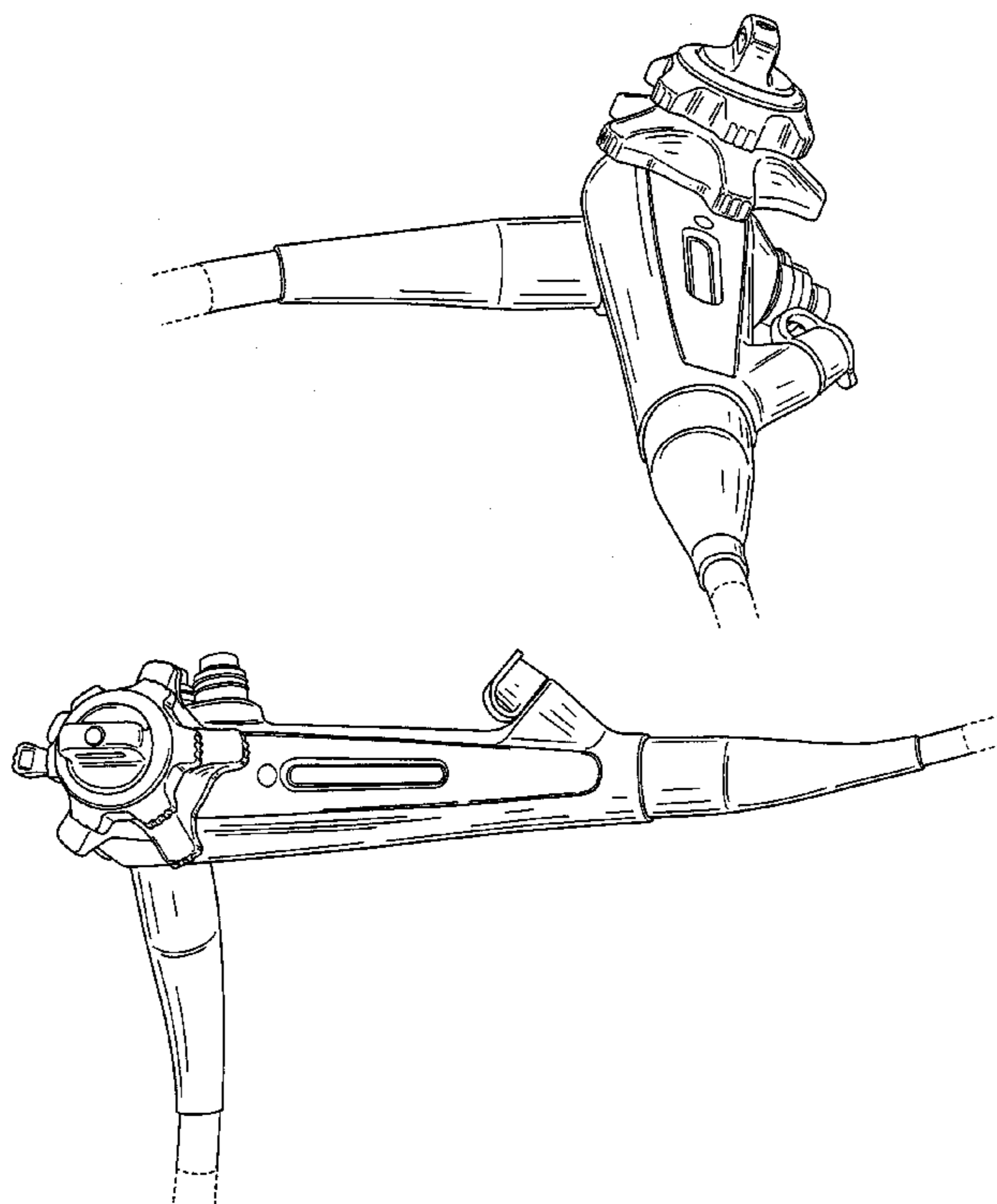
FIG. 5 is a top perspective view of the handle for medical device of FIG. 1;

FIG. 6 is a bottom perspective view of the handle for medical device of FIG. 1; and,

FIG. 7 is a three quarter view of the handle for medical device of FIG. 1.

The dashed lines illustrate environment that does not form a part of the present invention, and no claim is made to the material illustrated with dashed lines.

1 Claim, 7 Drawing Sheets



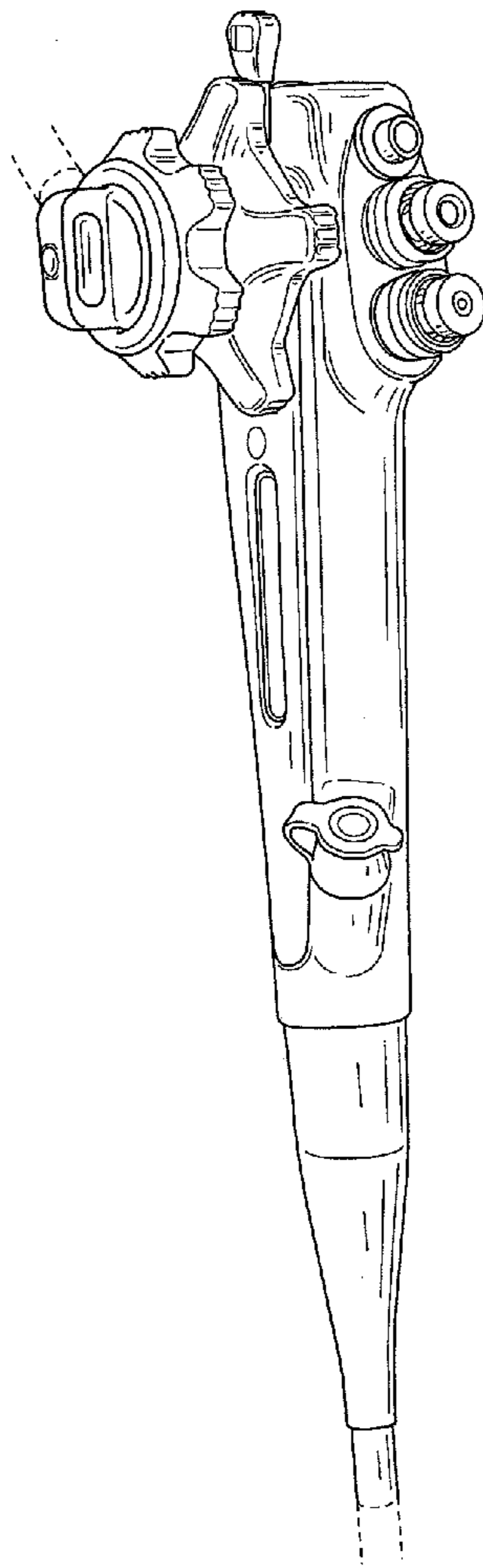


FIG. 1

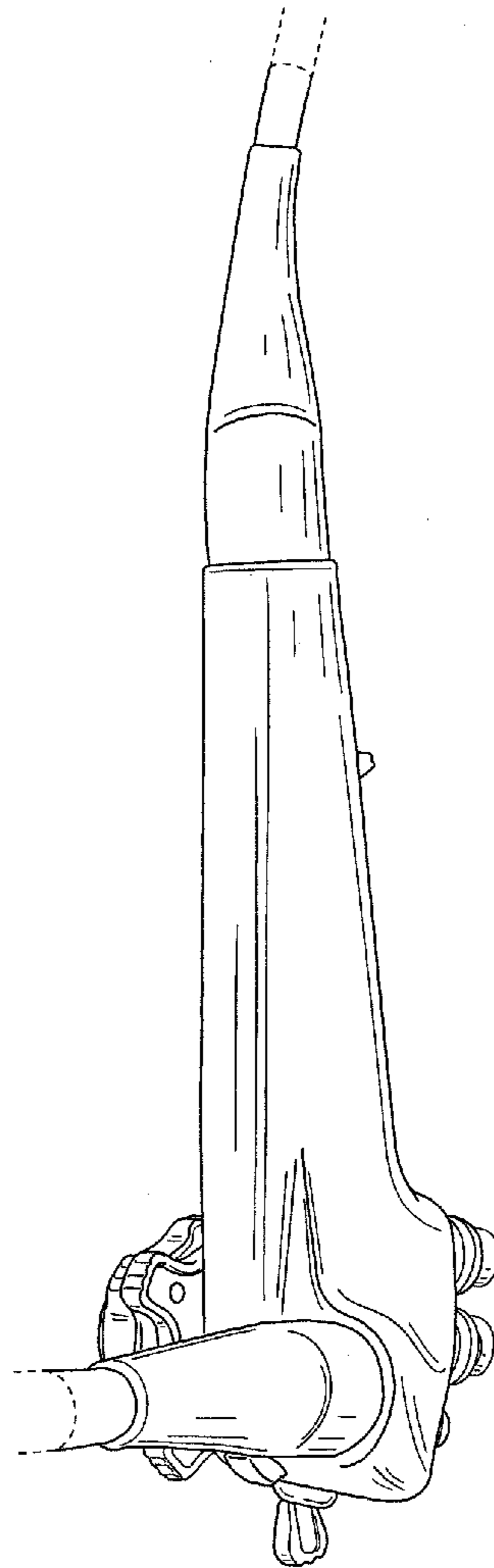


FIG. 2

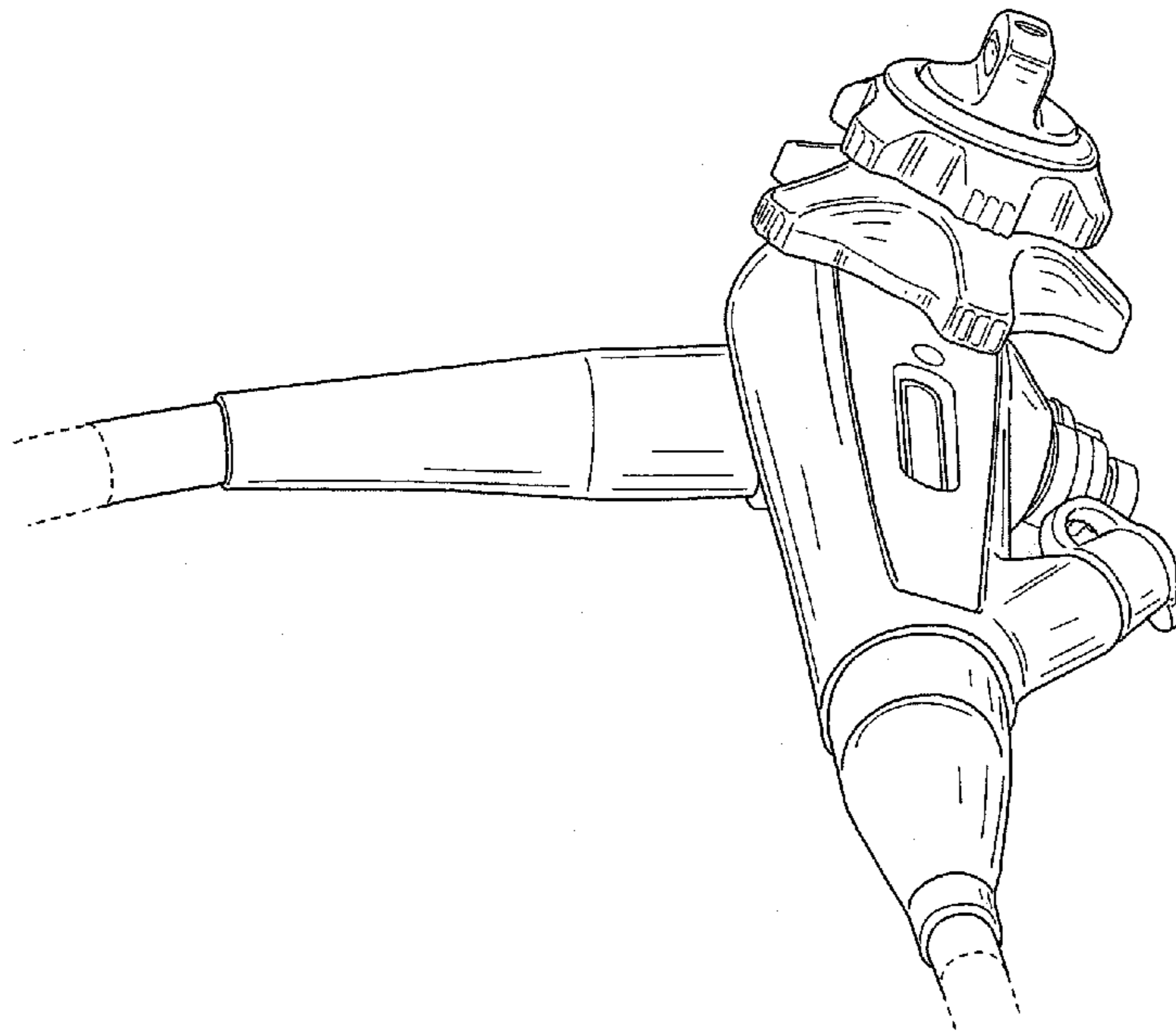


FIG. 3

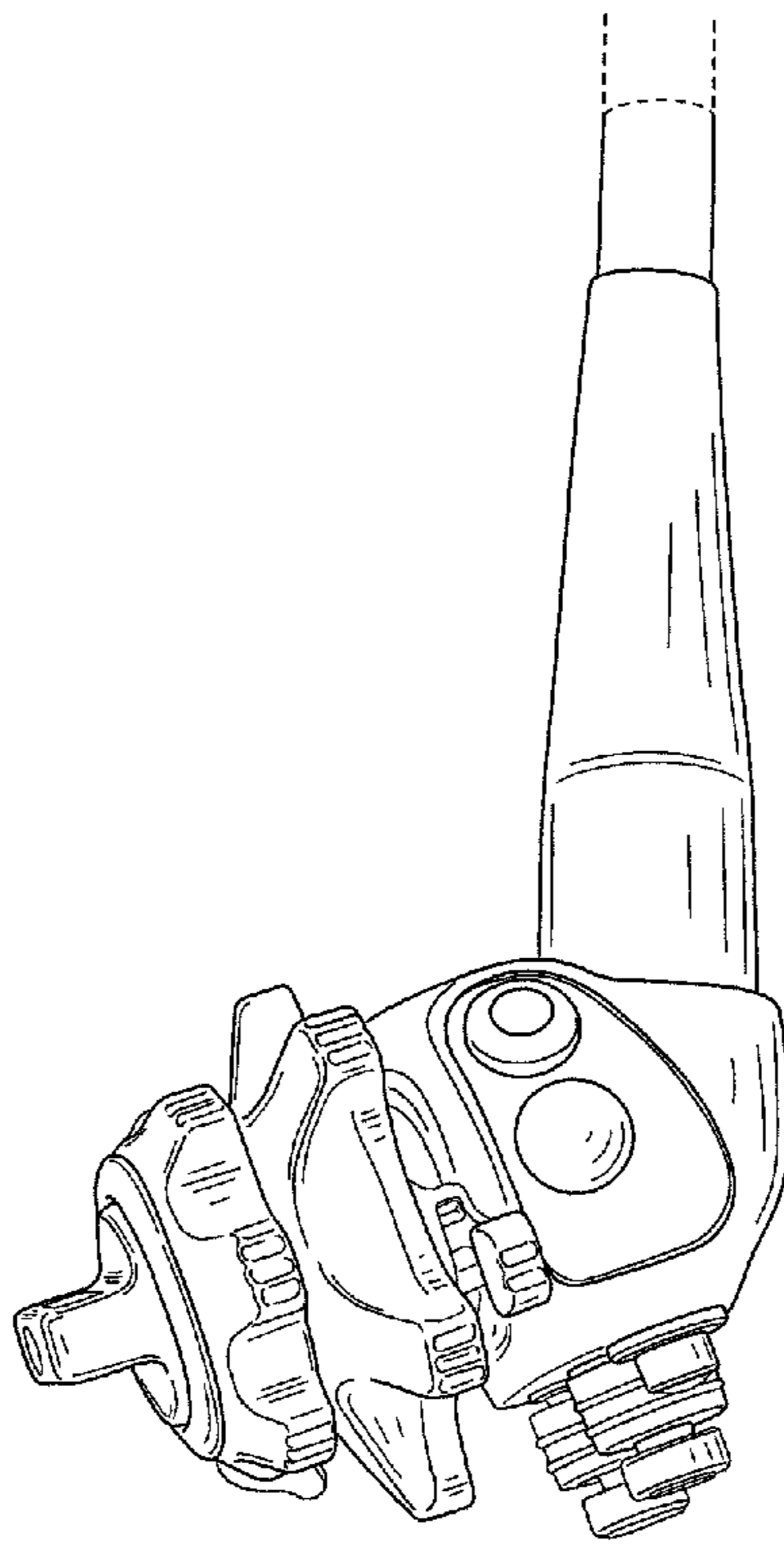


FIG. 4

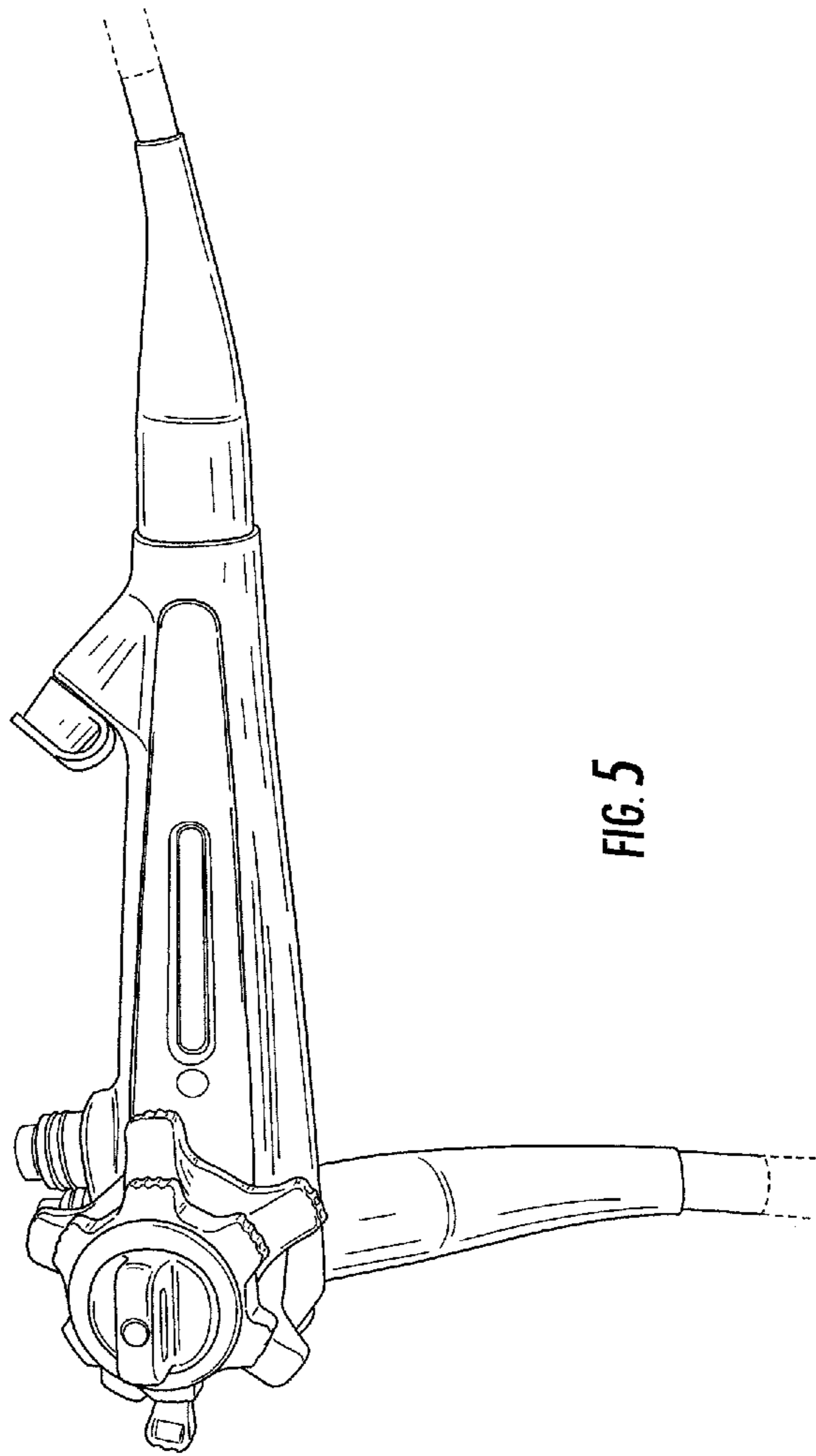


FIG. 5

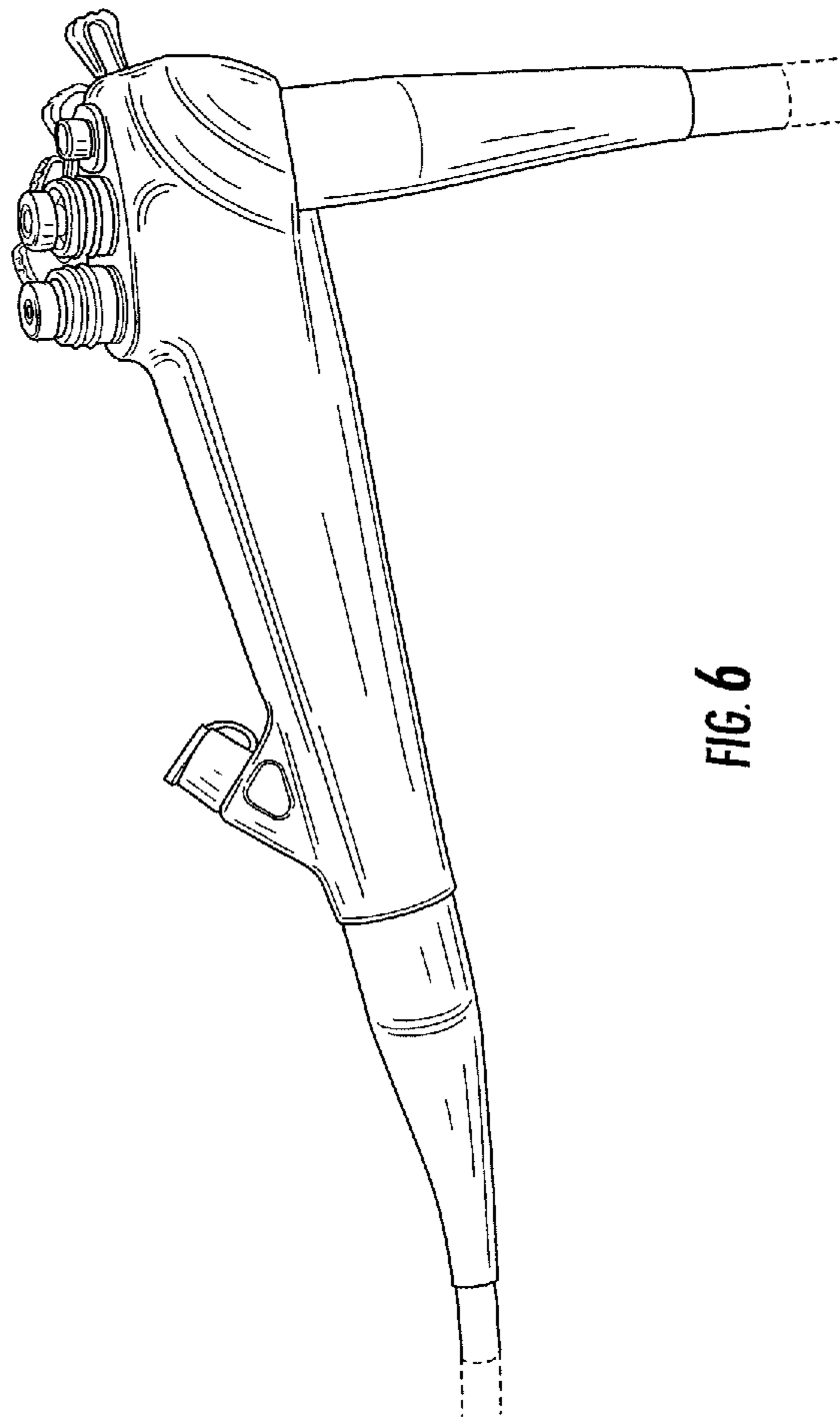


FIG. 6

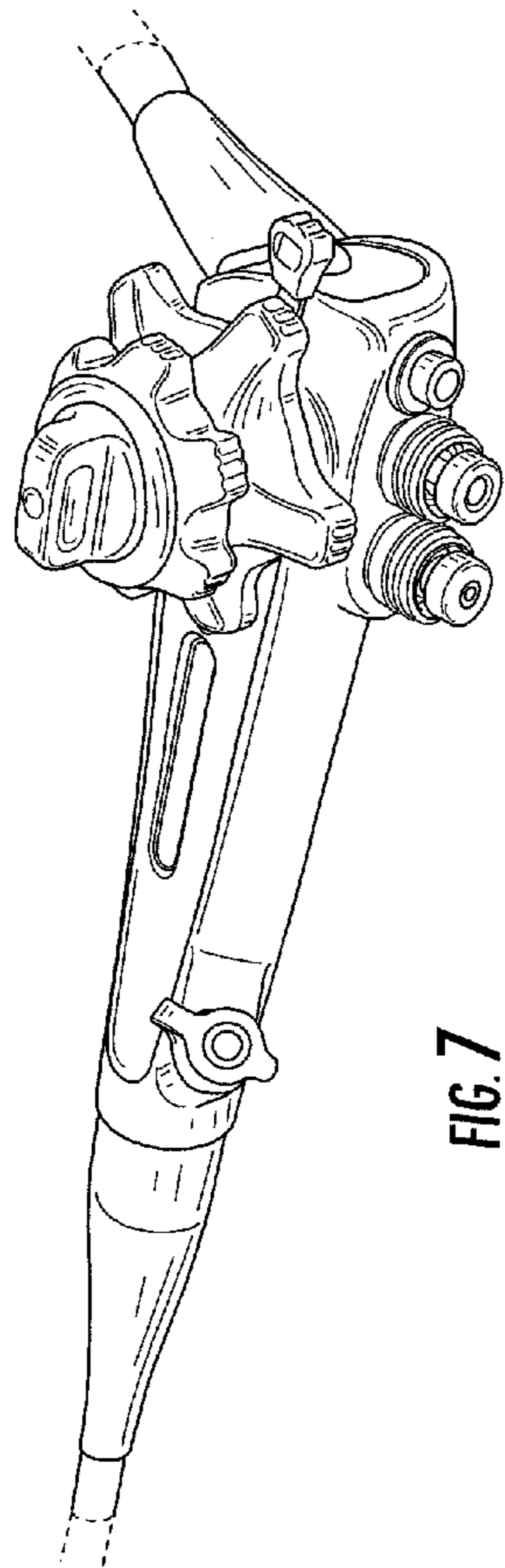


FIG. 7