

US00D669170S

(12) **United States Design Patent**
Boehm et al.

(10) **Patent No.:** **US D669,170 S**
(45) **Date of Patent:** **** *Oct. 16, 2012**

(54) **DENTAL SYRINGE**
(75) Inventors: **Andreas J. Boehm**, Reichling (DE);
Thomas Klettke, Diessen (DE)
(73) Assignee: **3M Innovative Properties Company**,
Saint Paul, MN (US)
(*) Notice: This patent is subject to a terminal disclaimer.

6,283,946 B1 * 9/2001 Fischer 604/218
6,398,761 B1 * 6/2002 Bills et al. 604/191
6,415,679 B1 7/2002 Chiodo
6,484,904 B1 11/2002 Horner
6,732,887 B2 * 5/2004 Bills 222/154
6,874,661 B2 4/2005 Timmerman
D520,807 S 5/2006 Morgan
D556,320 S 11/2007 Boclet
7,367,475 B2 5/2008 Hörth
7,424,318 B2 * 9/2008 Brister et al. 600/347
7,467,003 B2 * 12/2008 Brister et al. 600/347
7,530,808 B2 5/2009 Cao

(Continued)

(**) Term: **14 Years**

(21) Appl. No.: **29/402,828**

(22) Filed: **Sep. 28, 2011**

(30) **Foreign Application Priority Data**

Mar. 28, 2011 (EM) 001267421-0001

(51) **LOC (9) Cl.** **24-02**

(52) **U.S. Cl.** **D24/130**

(58) **Field of Classification Search** D24/111-113,
D24/152, 130; 433/88-90; 222/129, 145.1,
222/145.5

See application file for complete search history.

(56) **References Cited**

U.S. PATENT DOCUMENTS

4,930,920 A 6/1990 Fitzig
D322,317 S * 12/1991 Fischer D24/130
5,161,715 A * 11/1992 Giannuzzi 222/82
5,190,526 A 3/1993 Murray
5,242,414 A 9/1993 Fischell
5,257,632 A 11/1993 Turkel
5,324,265 A 6/1994 Murray
5,328,462 A 7/1994 Fischer
D353,199 S 12/1994 Frohnmayer
5,378,233 A 1/1995 Haber
5,387,103 A 2/1995 Fischer
D357,065 S 4/1995 Castellini
D409,305 S 5/1999 Martin
6,116,900 A * 9/2000 Ostler 433/89
6,197,006 B1 3/2001 Wiklund

FOREIGN PATENT DOCUMENTS

CA 2298984 3/1999

(Continued)

OTHER PUBLICATIONS

International Search Report PCT/US2010/023450 Feb. 10, 2011, 6 pgs.

(Continued)

Primary Examiner — Eric Goodman
(74) *Attorney, Agent, or Firm* — Pamela L. Stewart

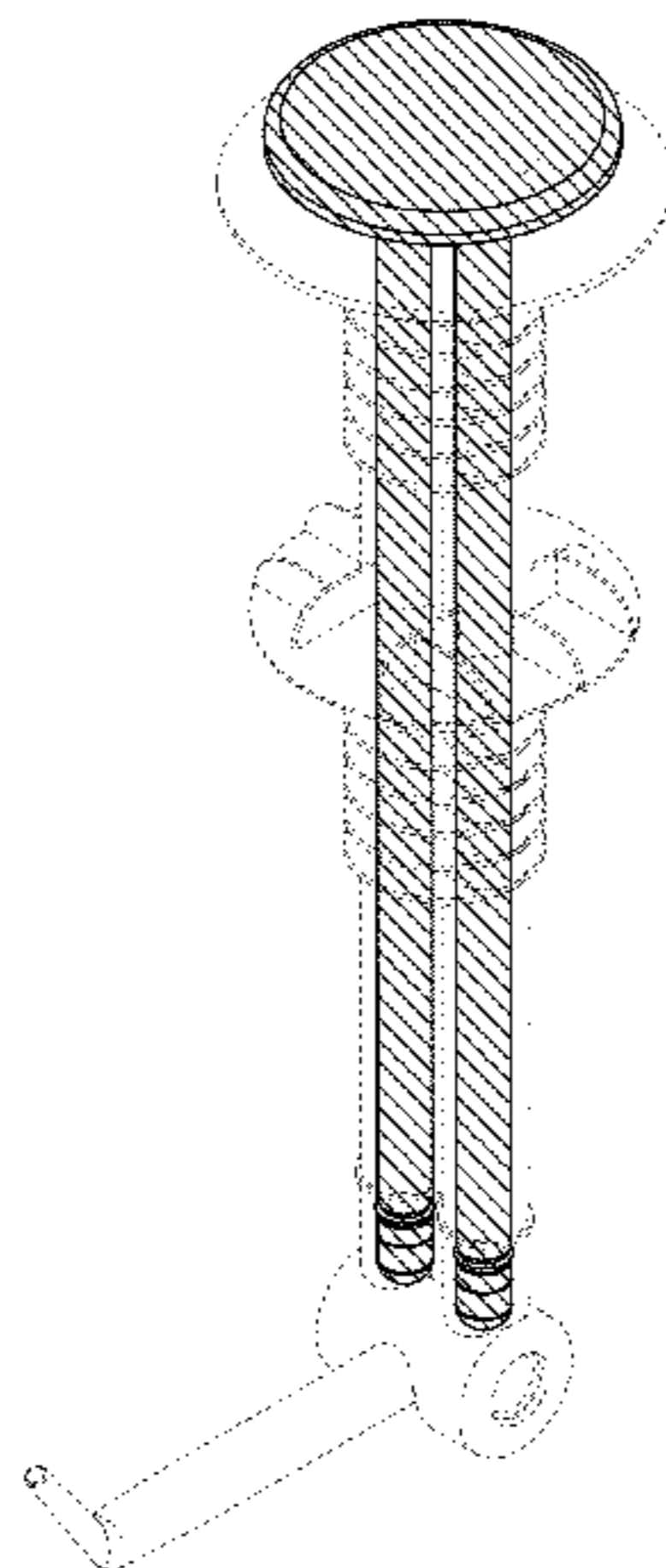
(57) **CLAIM**

The ornamental design for a dental syringe, as shown and described.

DESCRIPTION

FIG. 1 is a perspective view showing the new design for a dental syringe;
FIG. 2 is a side view thereof;
FIG. 3 is a top view thereof;
FIG. 4 is a bottom view thereof;
FIG. 5 is a front view thereof; and,
FIG. 6 is a back view thereof.
The broken line showing is included for the purpose of illustrating environment and forms no part of the claimed design.
The drawing is lined for color.

1 Claim, 3 Drawing Sheets



US D669,170 S

Page 2

U.S. PATENT DOCUMENTS

7,740,479	B2	6/2010	Allred	
7,761,130	B2 *	7/2010	Simpson et al.	600/345
7,766,191	B2 *	8/2010	Jackson et al.	222/137
7,831,287	B2 *	11/2010	Brister et al.	600/347
D645,140	S *	9/2011	Peuker et al.	D24/114
D645,959	S *	9/2011	Peuker et al.	D24/114
D650,897	S *	12/2011	Peuker et al.	D24/114
D650,898	S *	12/2011	Peuker et al.	D24/114
D650,899	S *	12/2011	Peuker et al.	D24/114
D650,900	S *	12/2011	Peuker et al.	D24/114
8,074,843	B2 *	12/2011	Keller	222/137
2001/0039401	A1	11/2001	Ferguson	
2002/0001790	A1	1/2002	Qualliotine	
2002/0099355	A1	7/2002	Chen	
2002/0183698	A1	12/2002	Quinn	
2003/0004465	A1	1/2003	Ferguson	
2003/0060777	A1	3/2003	Benz	
2004/0024361	A1	2/2004	Fago	
2004/0064102	A1 *	4/2004	Yamada	604/191
2004/0116875	A1	6/2004	Fischer	
2004/0234923	A1 *	11/2004	Larsen et al.	433/89
2004/0236281	A1	11/2004	Popovsky	
2005/0197630	A1	9/2005	Wicklund	
2005/0202365	A1 *	9/2005	Cao et al.	433/89
2006/0009742	A1	1/2006	Solazzo	
2006/0178618	A1	8/2006	Lowenstein	
2006/0287639	A1	12/2006	Sharp	
2007/0051750	A1	3/2007	Suchan	
2007/0060878	A1	3/2007	Bonnette	
2007/0167868	A1	7/2007	Sauer	
2007/0250005	A1	10/2007	Fago	
2007/0260258	A1	11/2007	Sommerich	
2007/0270743	A1	11/2007	Ackerman	
2008/0083782	A1	4/2008	Heusser	
2010/0028831	A1 *	2/2010	Pierson	433/90

FOREIGN PATENT DOCUMENTS

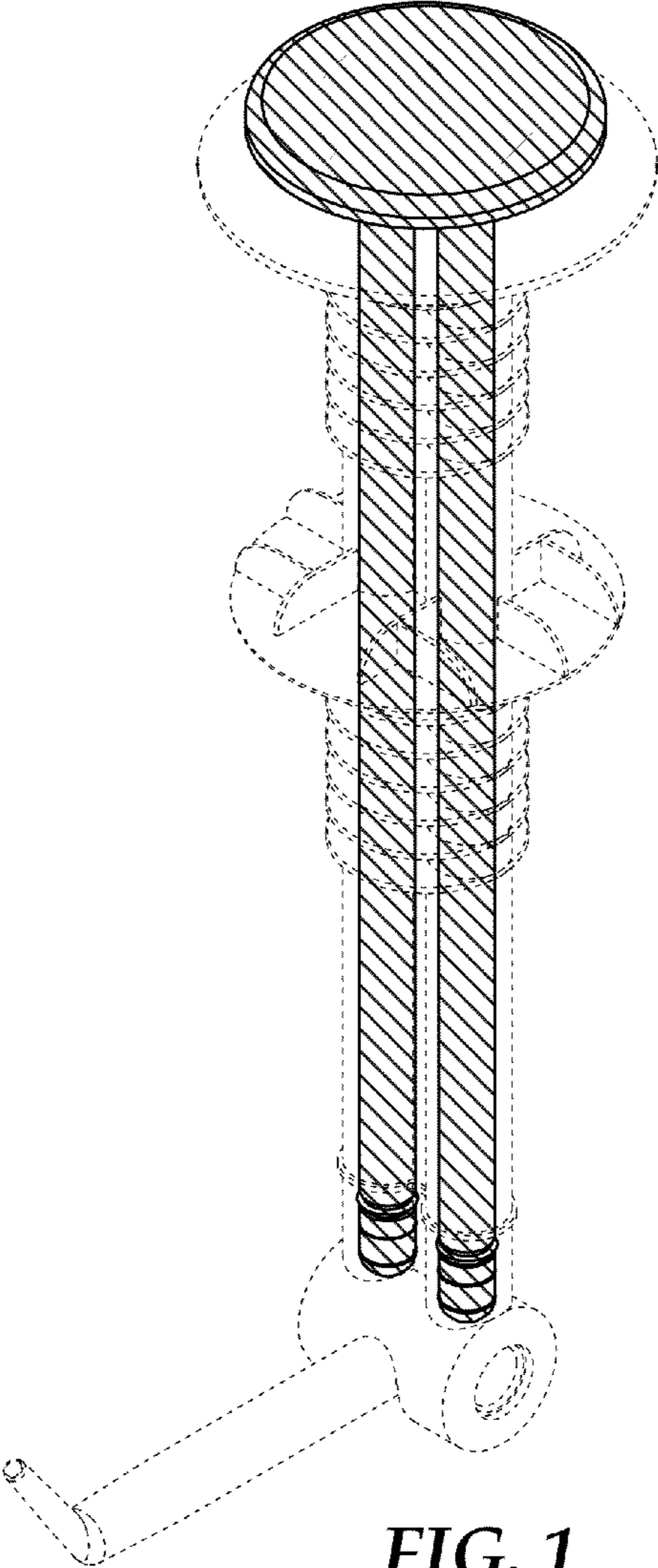
CA	2441479	9/2002
CA	2587777	5/2006

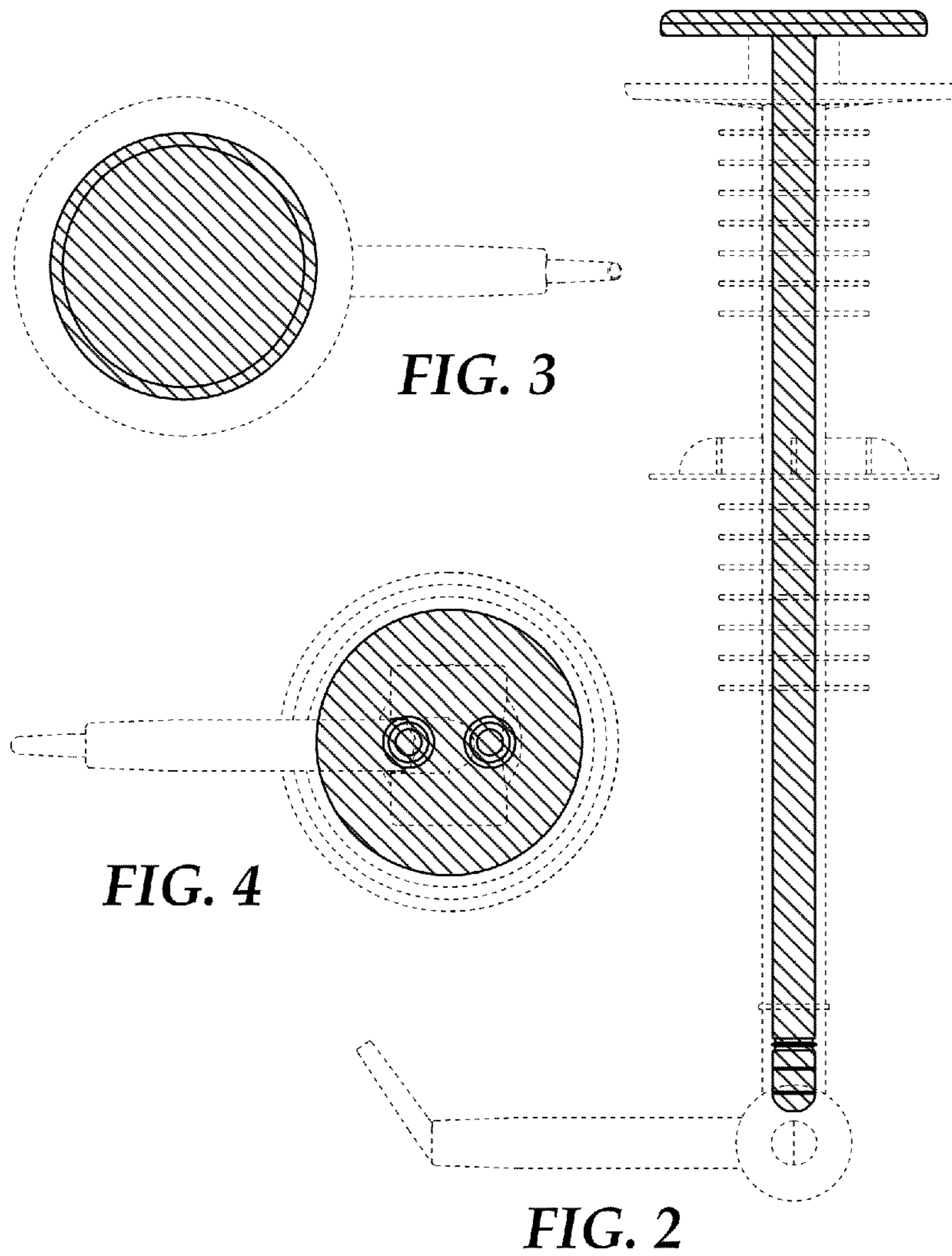
CN	1463760	12/2003
CZ	1998-2233	2/2000
DE	1938028	1/1971
DE	3729979	3/1989
DE	3730910	3/1989
DE	3731703	4/1989
EP	0372892	6/1990
EP	1134001	9/2001
EP	1170055	1/2002
EP	1440706	7/2004
FR	2701211	8/1994
FR	2769491	4/1999
FR	2770407	5/1999
FR	2784033	4/2000
FR	2784034	4/2000
GB	2339545	12/2002
IL	156556	2/2010
TW	527933	4/2003
WO	WO 94/08638	4/1994
WO	WO 96/08440	3/1996
WO	WO 98/13094	4/1998
WO	WO 00/07539	2/2000
WO	WO 00/69488	11/2000
WO	WO 2004/058326	7/2004
WO	WO 2004/069037	8/2004
WO	WO 2005/016170	2/2005
WO	WO 2005/016783	2/2005
WO	WO 2007/056051	5/2007
WO	WO 2007/095769	8/2007
WO	WO 2007/104037	9/2007
WO	WO 2008/048568	4/2008
WO	WO 2008/051925	5/2008
WO	WO 2010/093575	8/2010

OTHER PUBLICATIONS

Search Report in Application No. GB0902354.0, May 22, 2009, 4 pgs.

* cited by examiner





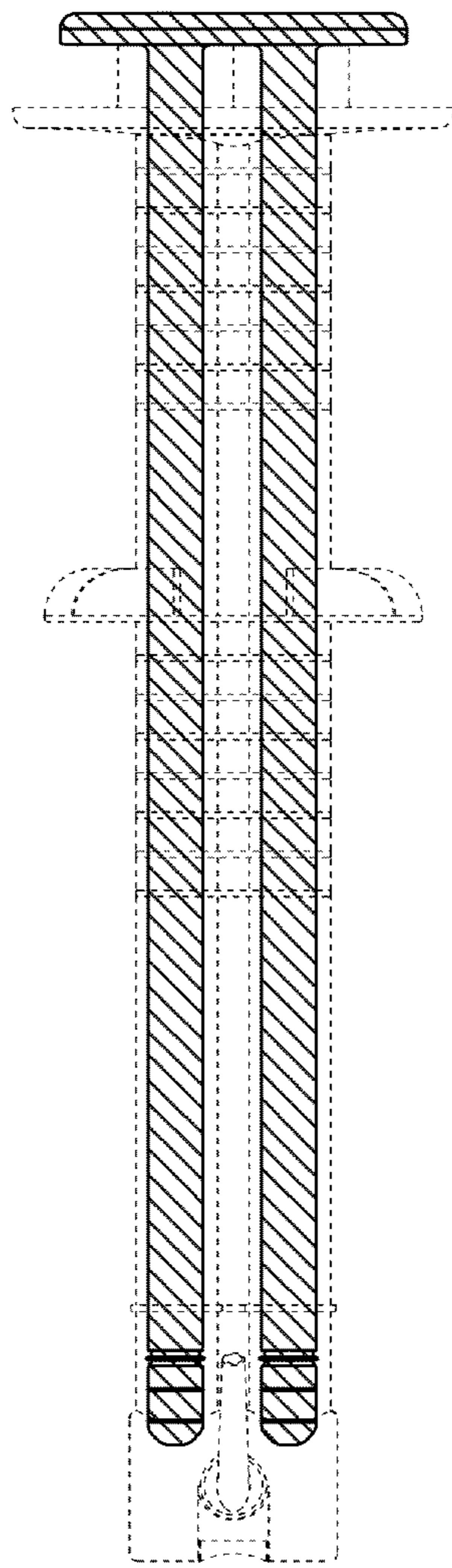


FIG. 5

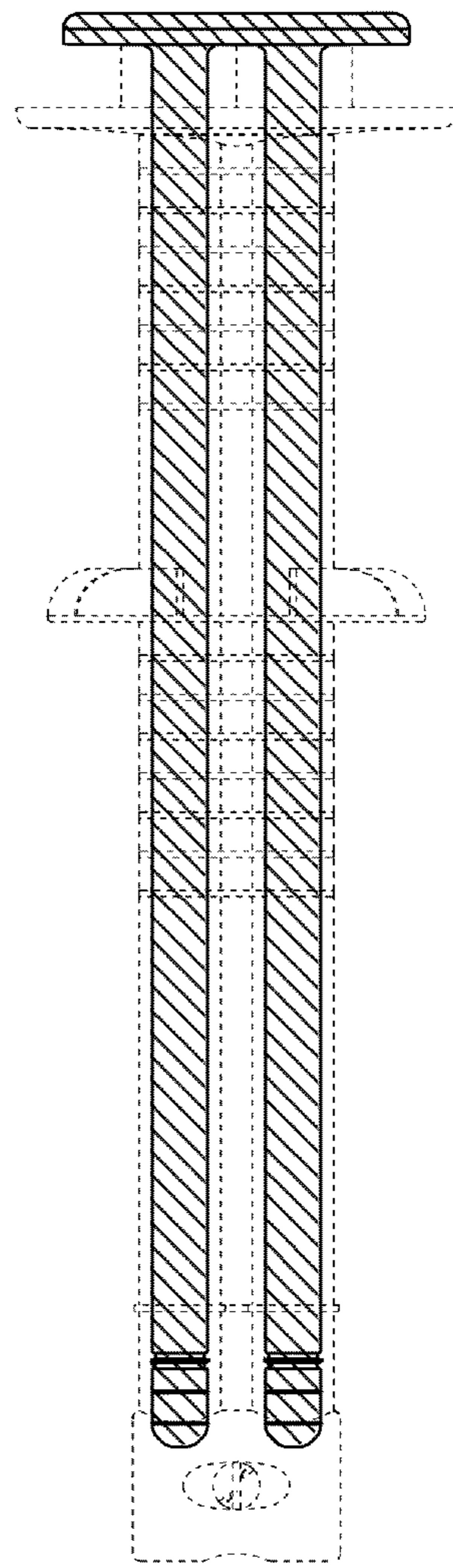


FIG. 6