



US00D669169S

(12) **United States Design Patent**  
**Washington et al.**

(10) **Patent No.:** **US D669,169 S**  
(45) **Date of Patent:** **\*\* Oct. 16, 2012**

- (54) **CUP**
- (75) Inventors: **Charles M. Washington**, Roscoe, IL (US); **Jeffrey P. Schlais**, Winnebago, IL (US); **Michael M. Potempa**, Freeport, IL (US); **Brian S. Potempa**, Freeport, IL (US)
- (73) Assignee: **Whole Life Designs, Inc.**, Winnebago, IL (US)

D222,892 S *	1/1972	Tarrasa	.....	D32/53
D236,578 S *	9/1975	Powell	.....	D32/53
D335,924 S *	5/1993	Nilsson	.....	D24/122
5,342,330 A *	8/1994	Kane et al.	.....	604/329
D406,003 S *	2/1999	Tanner et al.	.....	D7/316
6,152,902 A *	11/2000	Christian et al.	.....	604/320
D454,469 S *	3/2002	Jalet et al.	.....	D7/316
D478,166 S *	8/2003	Nilstein	.....	D24/122
6,602,231 B1 *	8/2003	Mariea	.....	604/317
D549,416 S *	8/2007	Sampaio	.....	D32/53
D583,933 S *	12/2008	Finney et al.	.....	D24/121
D630,894 S *	1/2011	Harris et al.	.....	D7/316

- (\*\*) Term: **14 Years**
- (21) Appl. No.: **29/412,099**
- (22) Filed: **Jan. 30, 2012**

\* cited by examiner

*Primary Examiner* — David Muller

**Related U.S. Application Data**

- (63) Continuation-in-part of application No. 29/352,694, filed on Dec. 23, 2009, now abandoned.
- (51) **LOC (9) Cl.** ..... **24-04**
- (52) **U.S. Cl.** ..... **D24/121**
- (58) **Field of Classification Search** ..... D24/121-123, D24/117, 224, 108; D32/53; D23/276, 274, D23/295, 302, 309, 200; 4/450-460, 144.1-144.4, 4/DIG. 5; 600/573, 574; 604/329, 317-325, 604/334; D27/125; D7/316, 603  
See application file for complete search history.

(57) **CLAIM**

The ornamental design for a cup, as shown and described.

**DESCRIPTION**

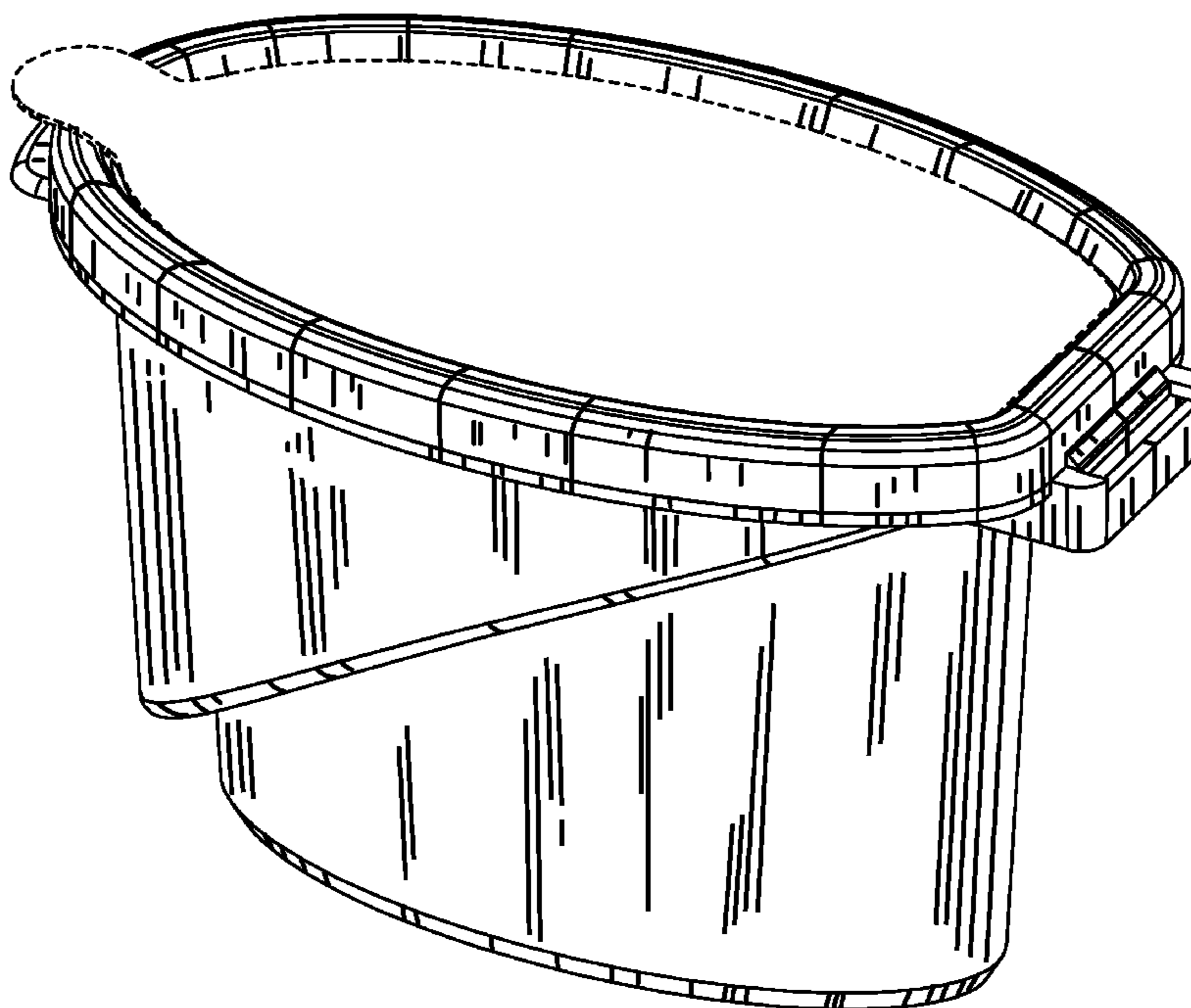
FIG. 1 is a perspective view of the cup embodying the new design with the lid closed, and a top panel in place;  
 FIG. 2 is a rear view thereof;  
 FIG. 3 is a bottom view thereof;  
 FIG. 4 is a front view thereof;  
 FIG. 5 is a right side view thereof;  
 FIG. 6 is a left side view thereof;  
 FIG. 7 is a top view thereof; and,  
 FIG. 8 is a perspective view thereof with the lid fully opened.  
 The area shown in broken lines is included for the purpose of illustrating environment. It forms no part of the claimed design.

(56) **References Cited**

U.S. PATENT DOCUMENTS

D216,277 S \* 12/1969 James ..... D32/53

**1 Claim, 8 Drawing Sheets**



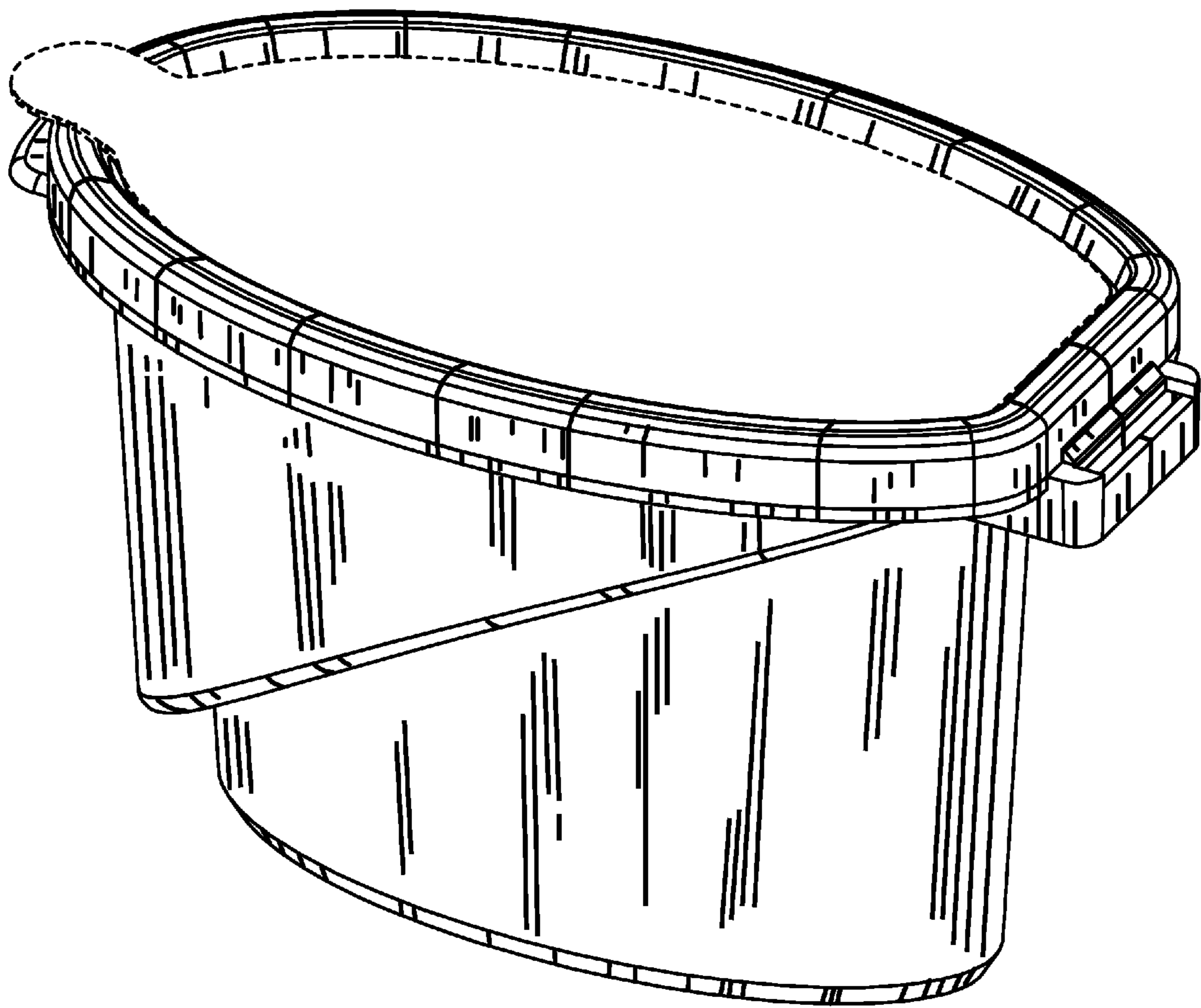


FIG. 1

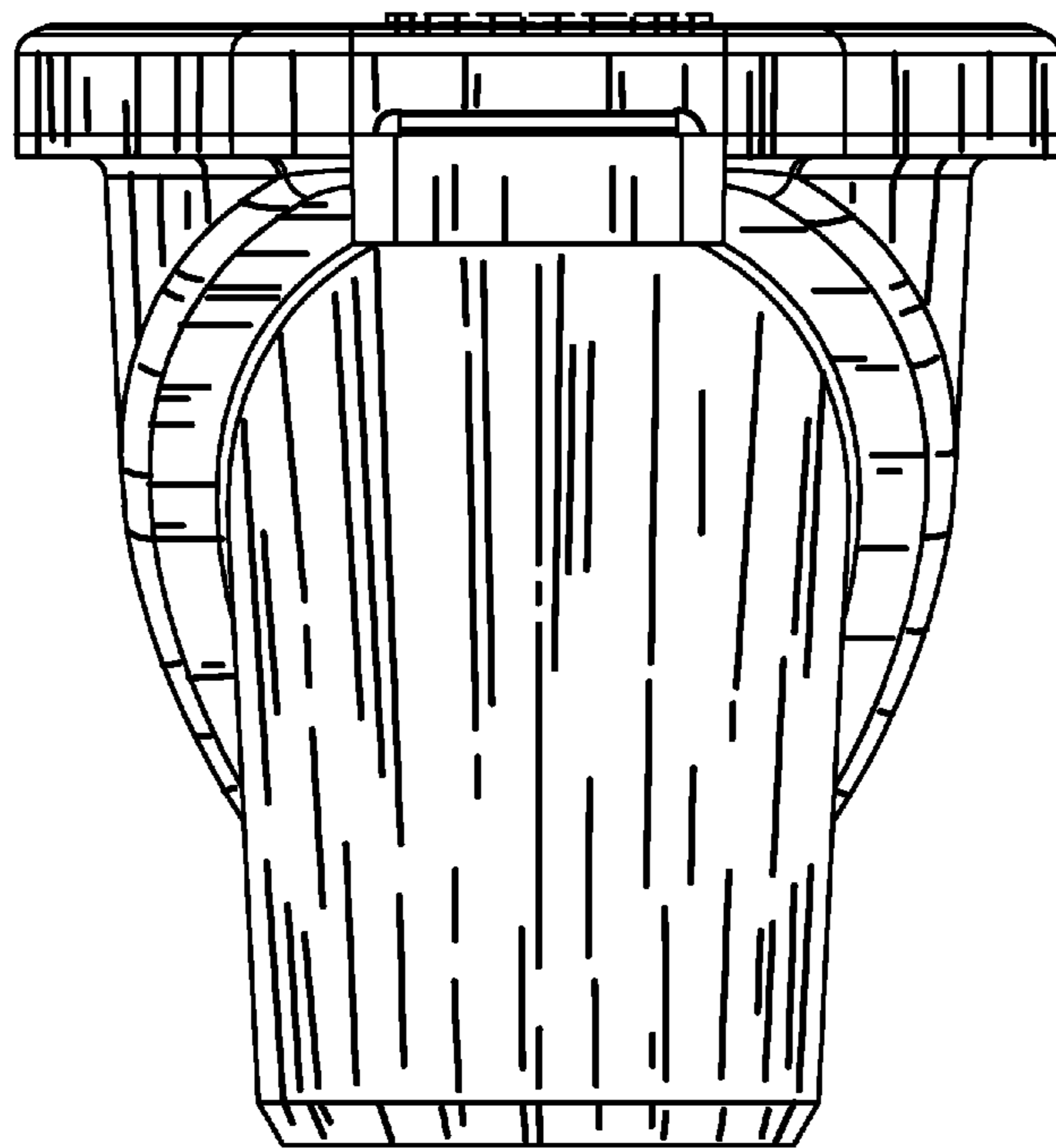


FIG. 2

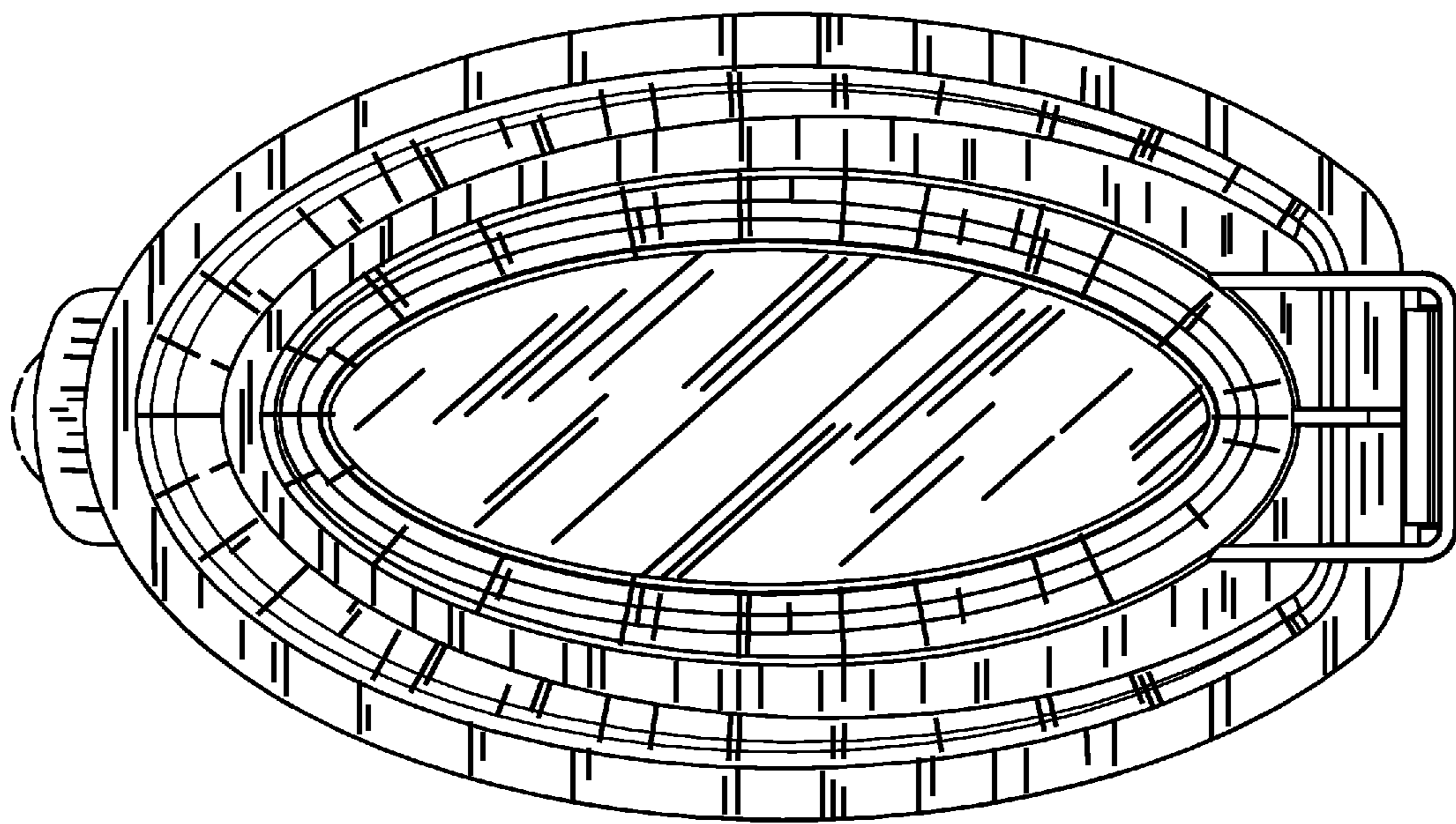


FIG. 3

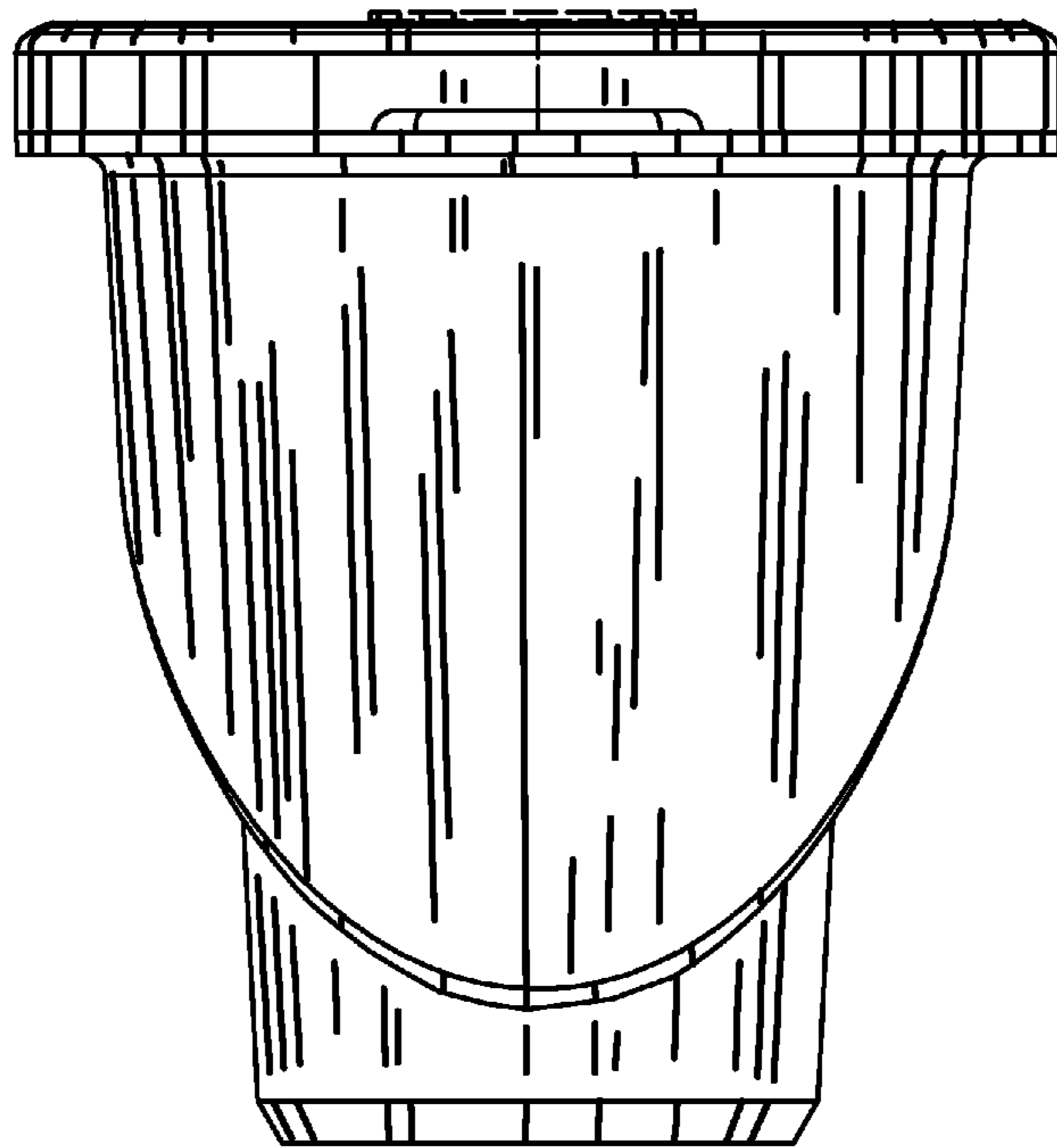


FIG. 4

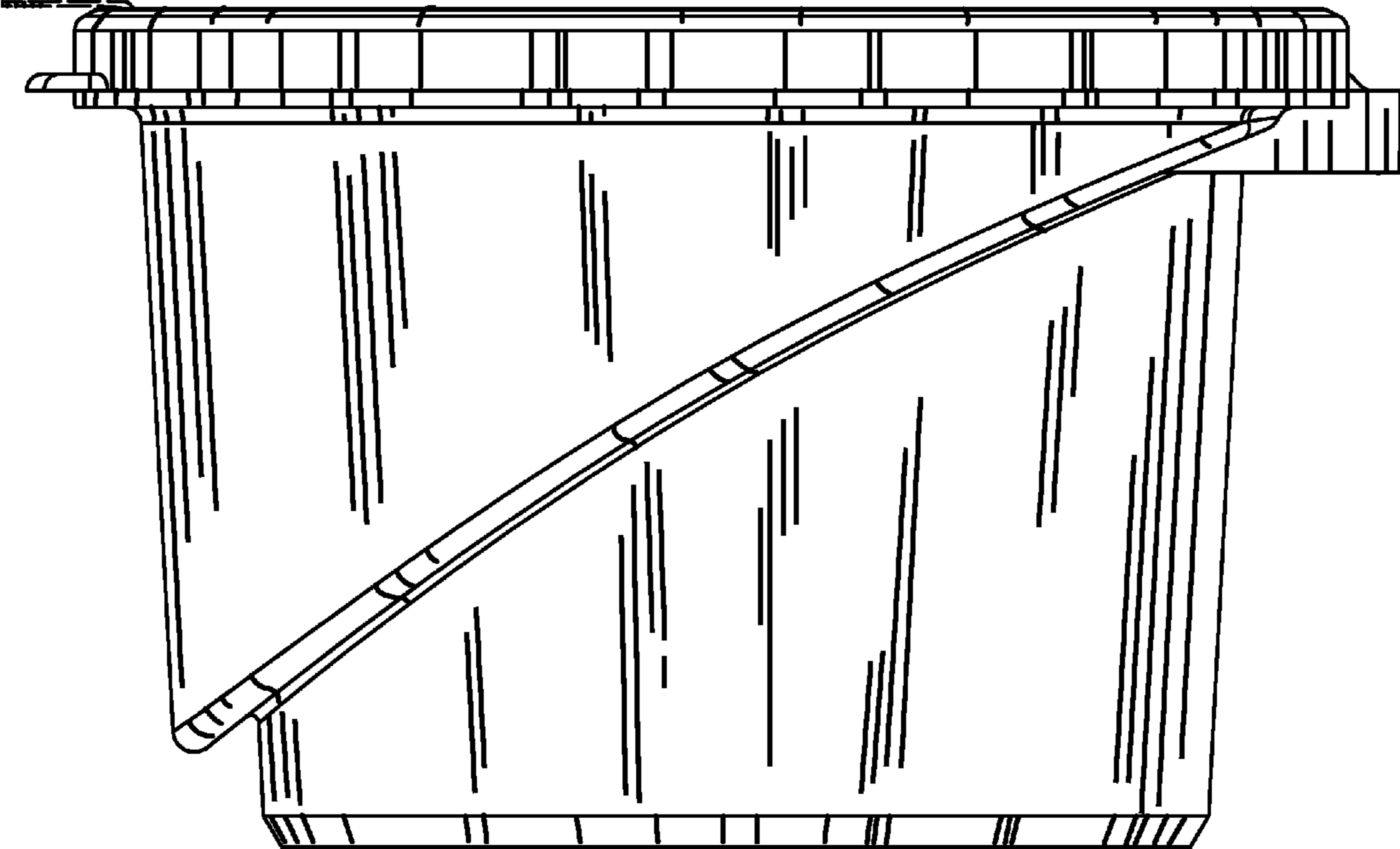


FIG. 5

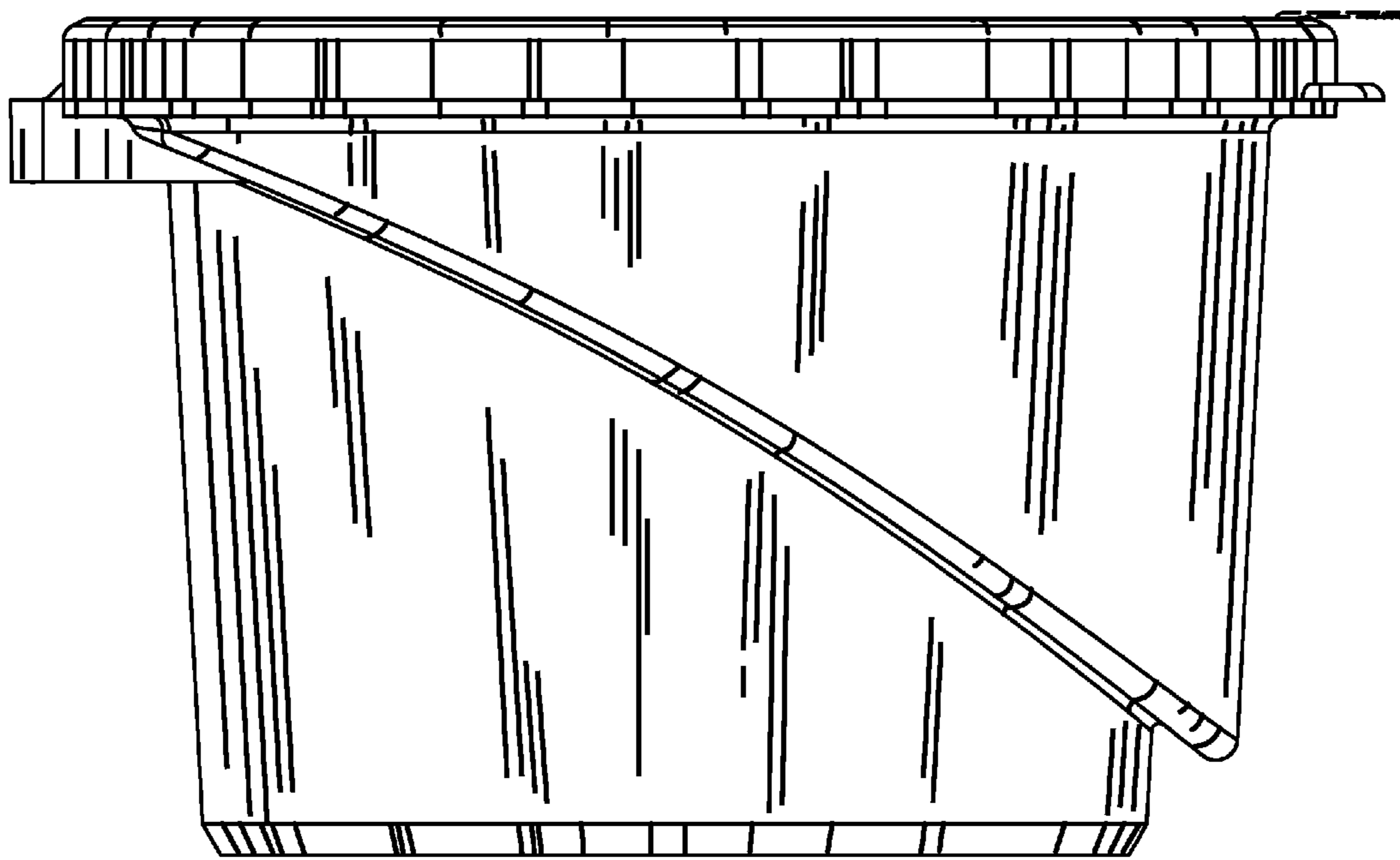


FIG. 6



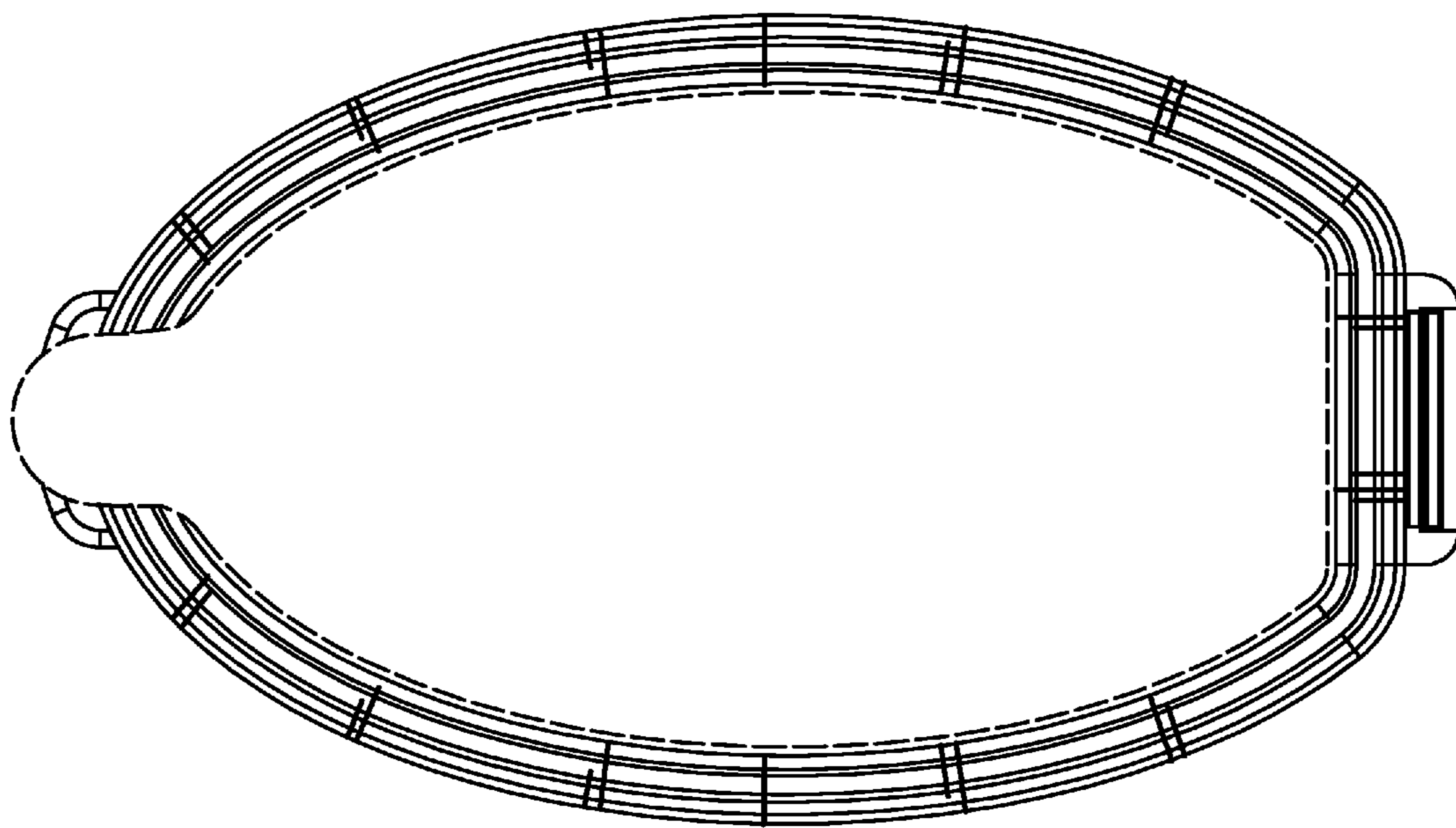


FIG. 7



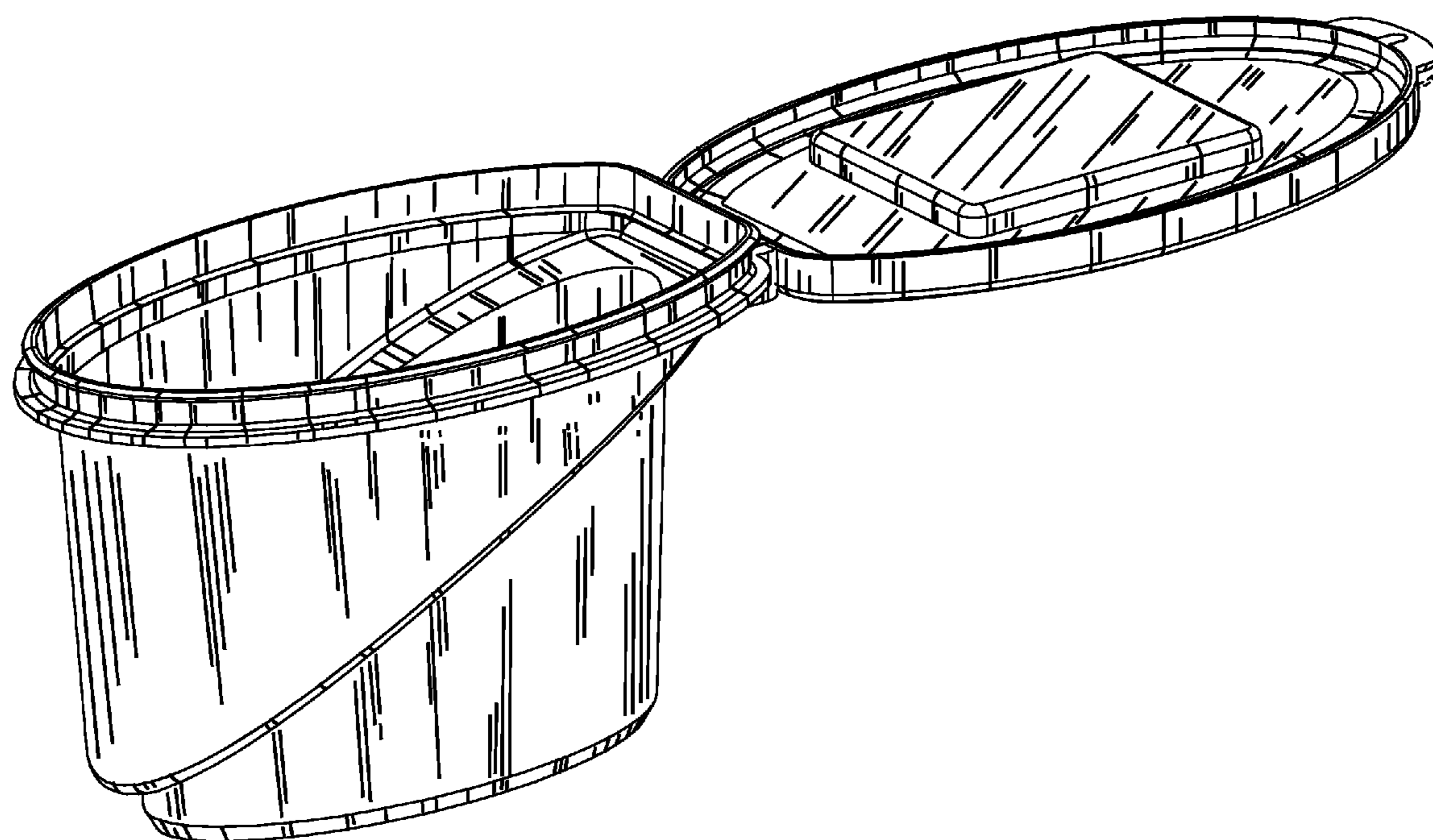


FIG. 8