



US00D669164S

(12) **United States Design Patent**  
**Hsu**

(10) **Patent No.:** **US D669,164 S**

(45) **Date of Patent:** **\*\* Oct. 16, 2012**

(54) **TABLE FAN**

(76) Inventor: **Ching-Feng Hsu**, New Taipei (TW)

(\*\*) Term: **14 Years**

(21) Appl. No.: **29/397,705**

(22) Filed: **Jul. 20, 2011**

(51) **LOC (9) Cl.** ..... **23-04**

(52) **U.S. Cl.** ..... **D23/411; D23/379**

(58) **Field of Classification Search** ..... D23/328,  
D23/332, 333, 335-337, 370-386, 397, 411-414;  
248/676; 310/58, 59, 60 A, 60 R, 61-65;  
392/365-369, 373, 374, 382, 383; 416/63,  
416/179, 185, 186 R, 187, 189, 235, 244 R,  
416/246, 247 R

See application file for complete search history.

(56) **References Cited**

**U.S. PATENT DOCUMENTS**

D315,018 S *	2/1991	Wang	.....	D23/382
D392,383 S *	3/1998	Phillips et al.	.....	D23/378
D413,660 S *	9/1999	Lee	.....	D23/332
D510,617 S *	10/2005	Andrews et al.	.....	D23/328

D513,317 S *	12/2005	Melwani	.....	D23/379
D544,078 S *	6/2007	Geringer	.....	D23/328
D601,239 S *	9/2009	Hsu	.....	D23/370

\* cited by examiner

*Primary Examiner* — Garth Rademaker

(74) *Attorney, Agent, or Firm* — Alan Kamrath; Kamrath IP Lawfirm, PA

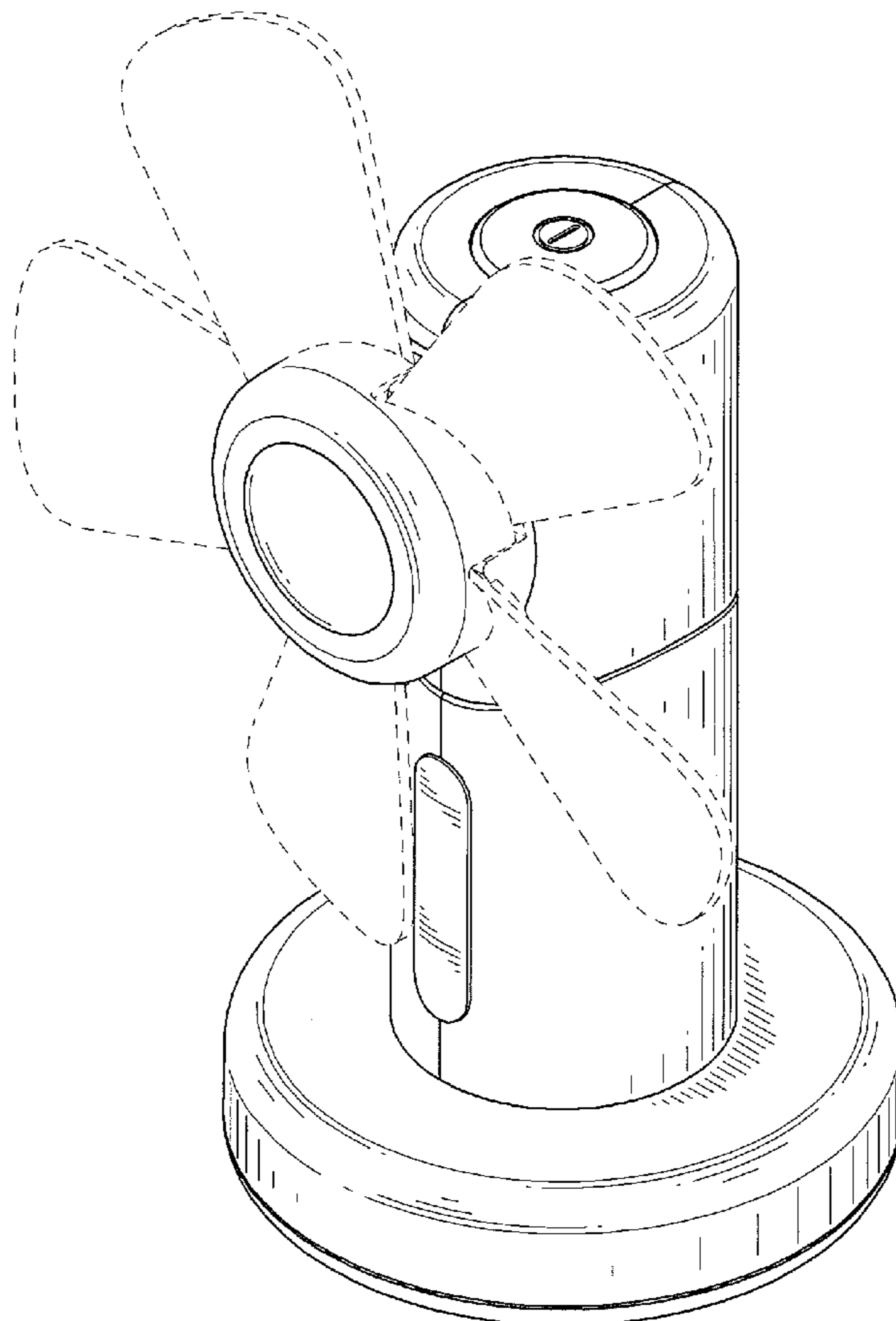
(57) **CLAIM**

The ornamental design for a table fan, as shown and described.

**DESCRIPTION**

FIG. 1 is a front perspective view of a table fan showing my new design;  
 FIG. 2 is a front view thereof;  
 FIG. 3 is a rear view thereof;  
 FIG. 4 is a left view thereof;  
 FIG. 5 is a right view thereof;  
 FIG. 6 is a top view thereof;  
 FIG. 7 is a bottom view thereof;  
 FIG. 8 is a rear perspective view thereof;  
 FIG. 9 is an exploded front perspective view thereof; and,  
 FIG. 10 is an exploded rear perspective view thereof.  
 The broken lines illustrate portions of the table fan which form no part of the claimed design.

**1 Claim, 9 Drawing Sheets**



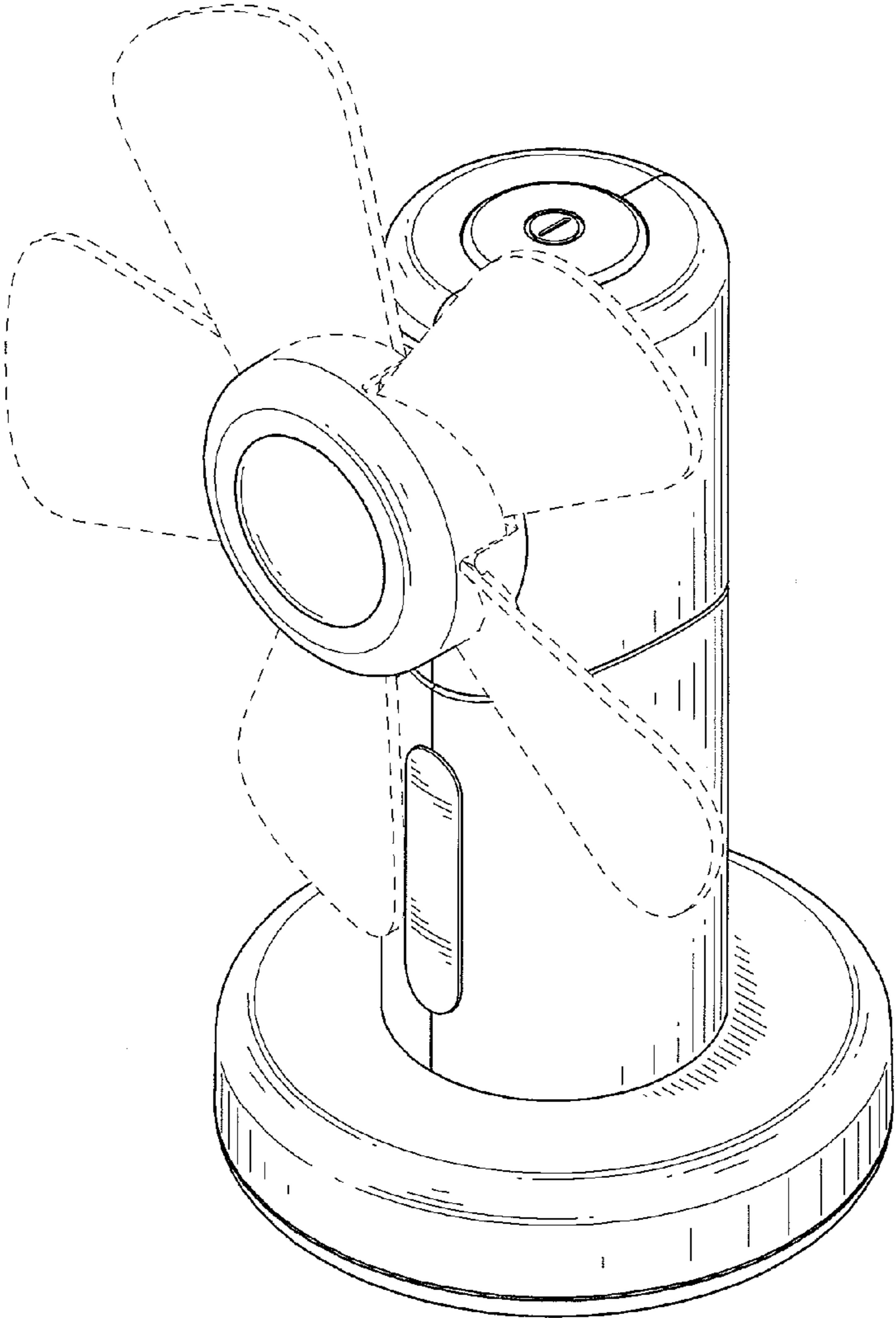


FIG.1

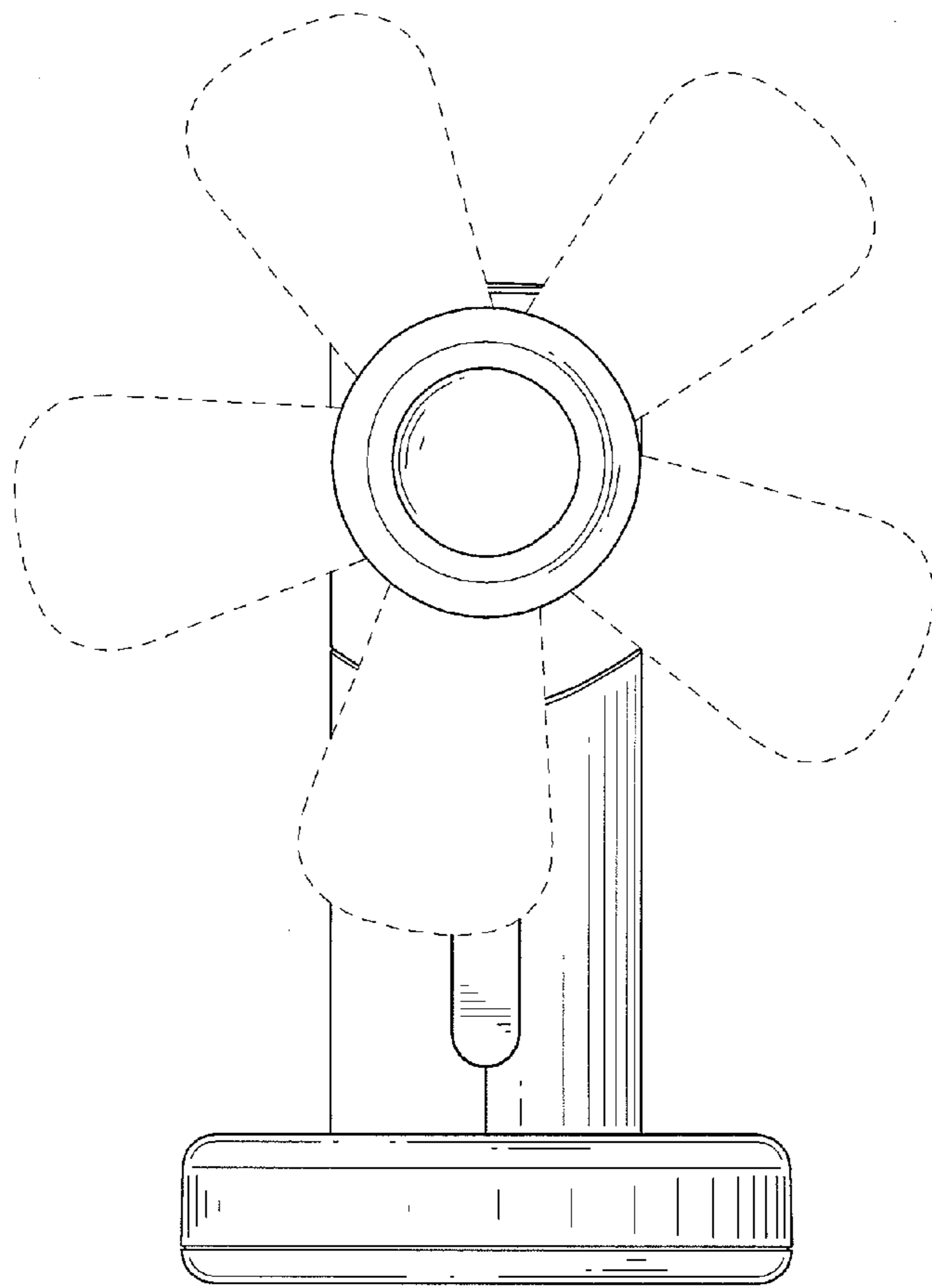


FIG.2

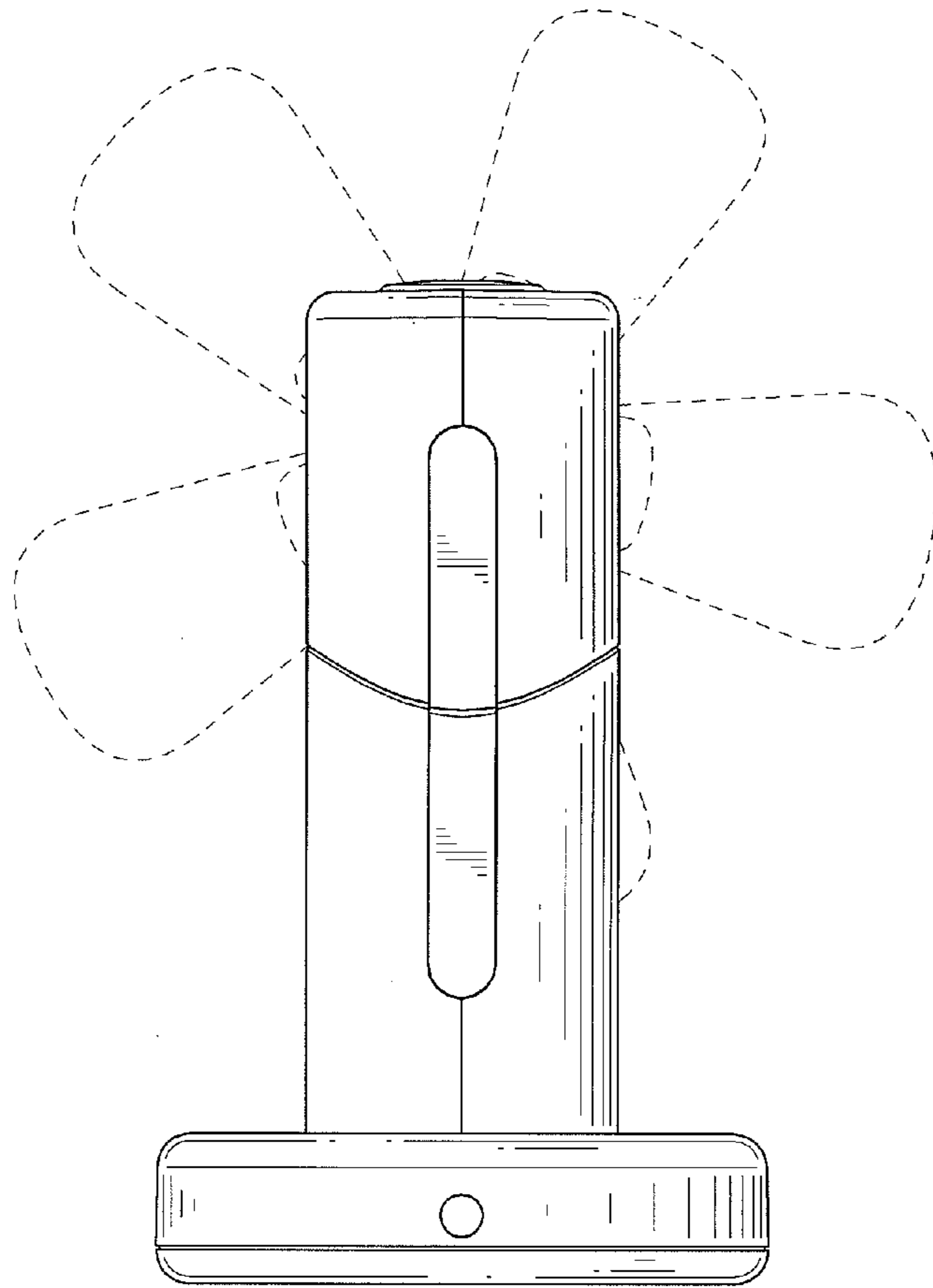


FIG.3

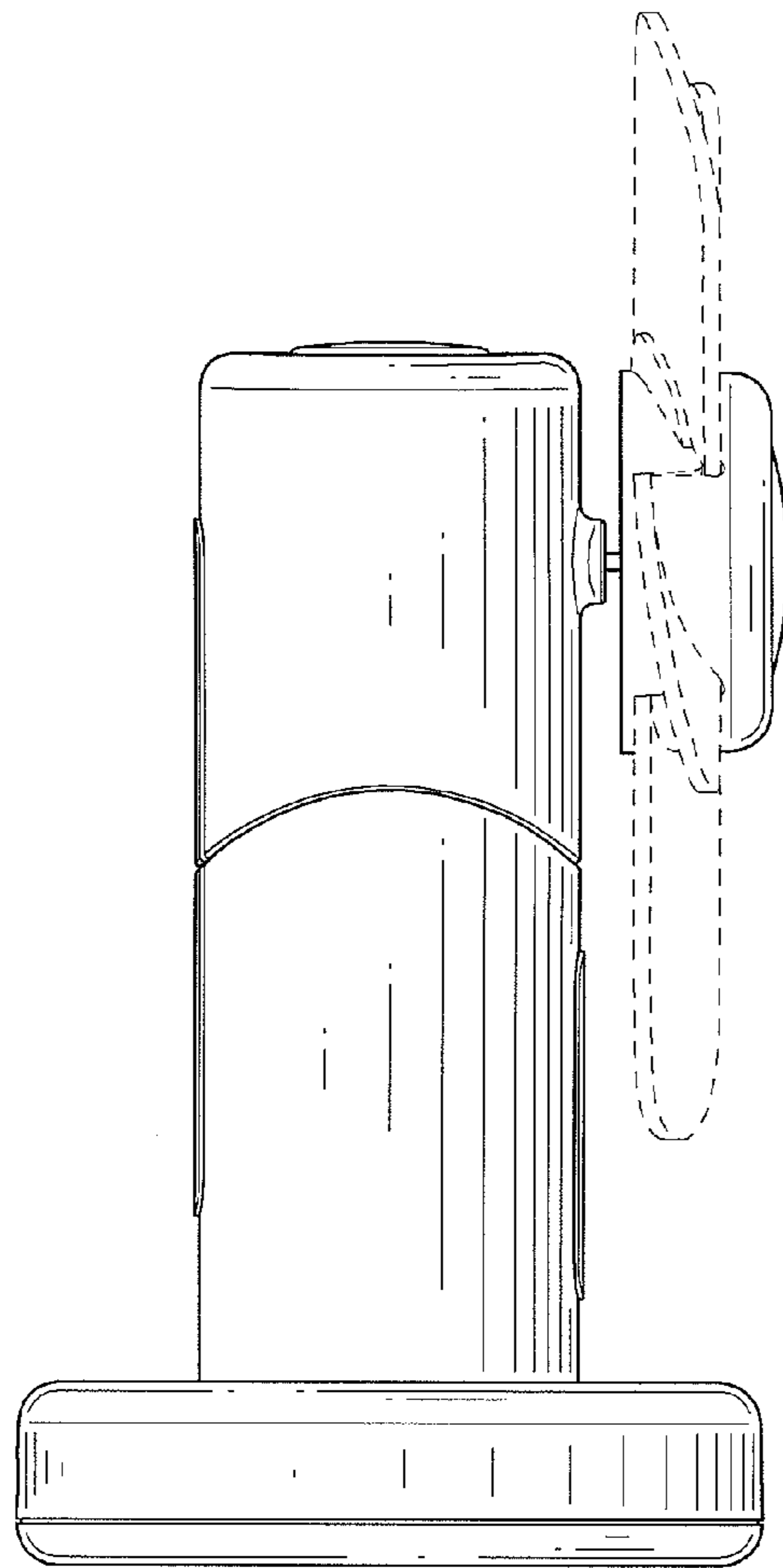


FIG.4

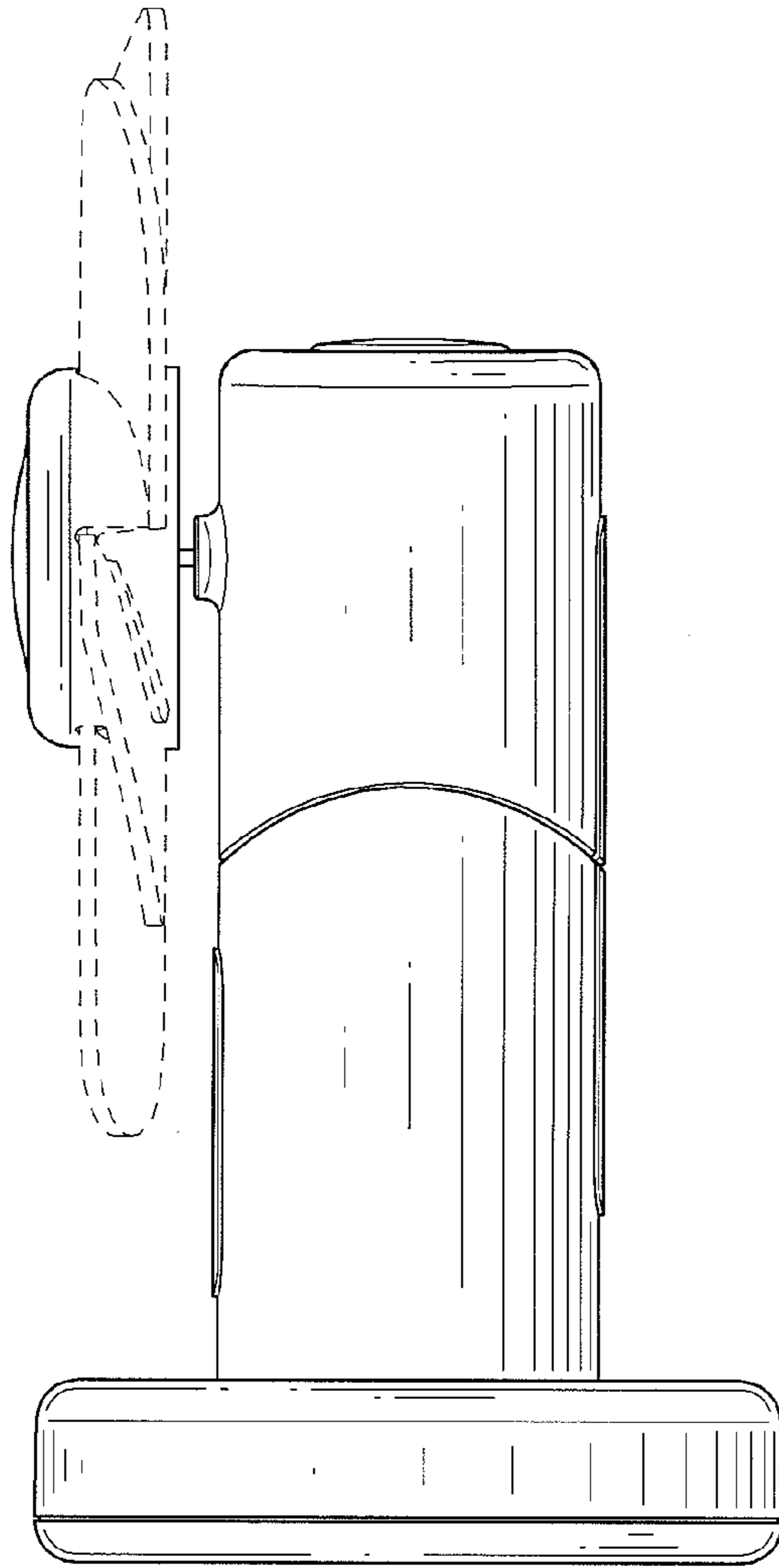


FIG.5

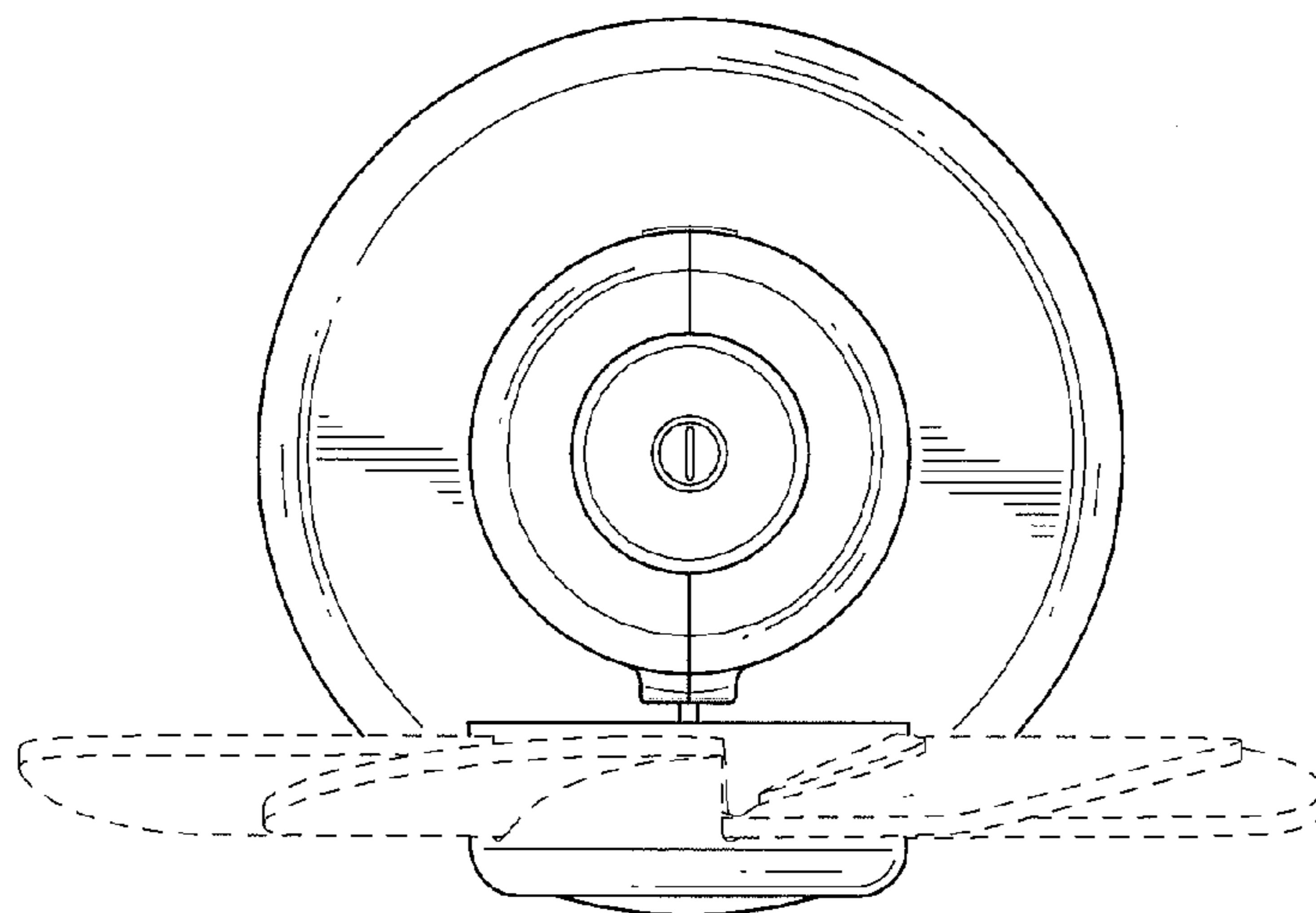


FIG. 6

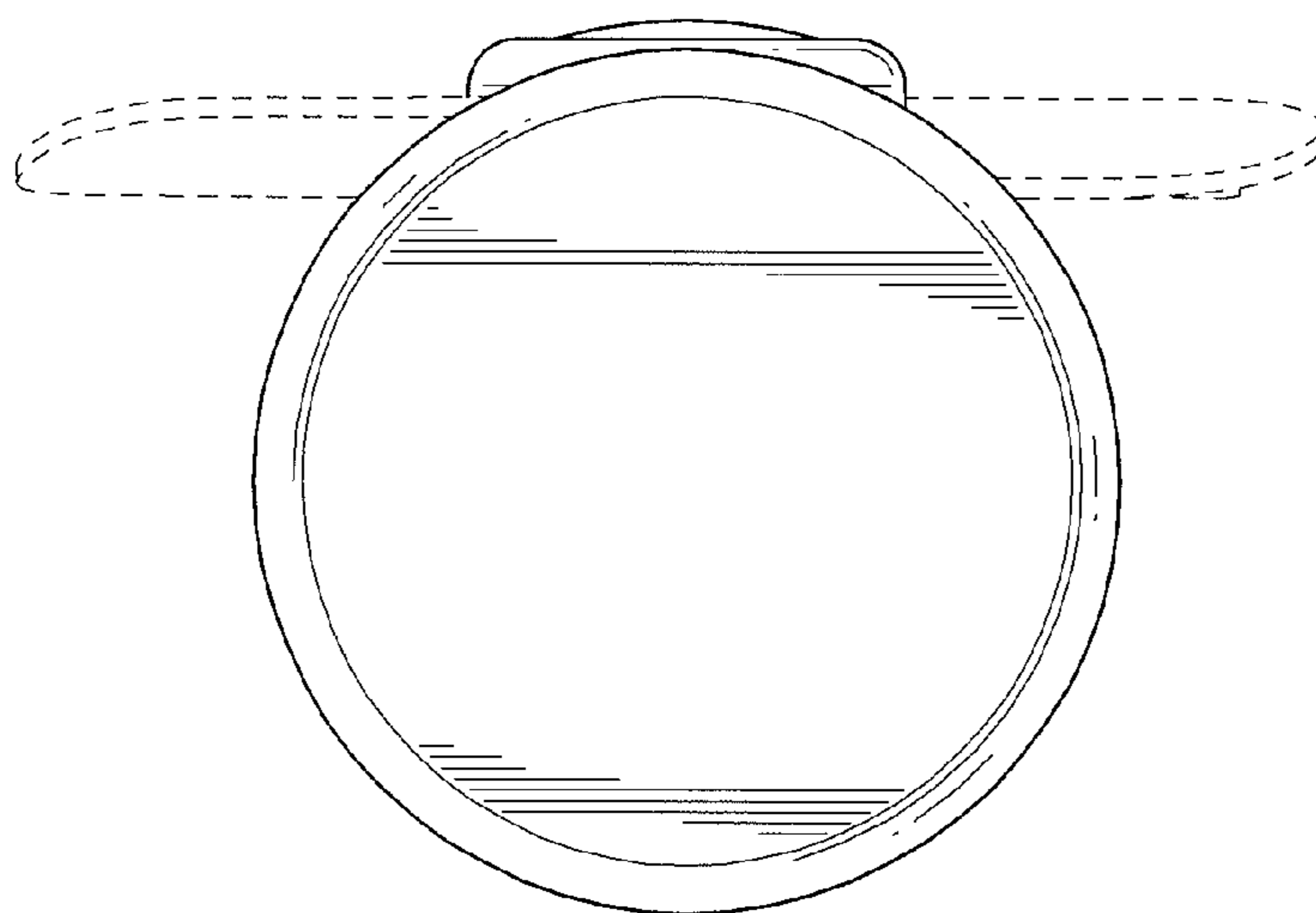


FIG. 7

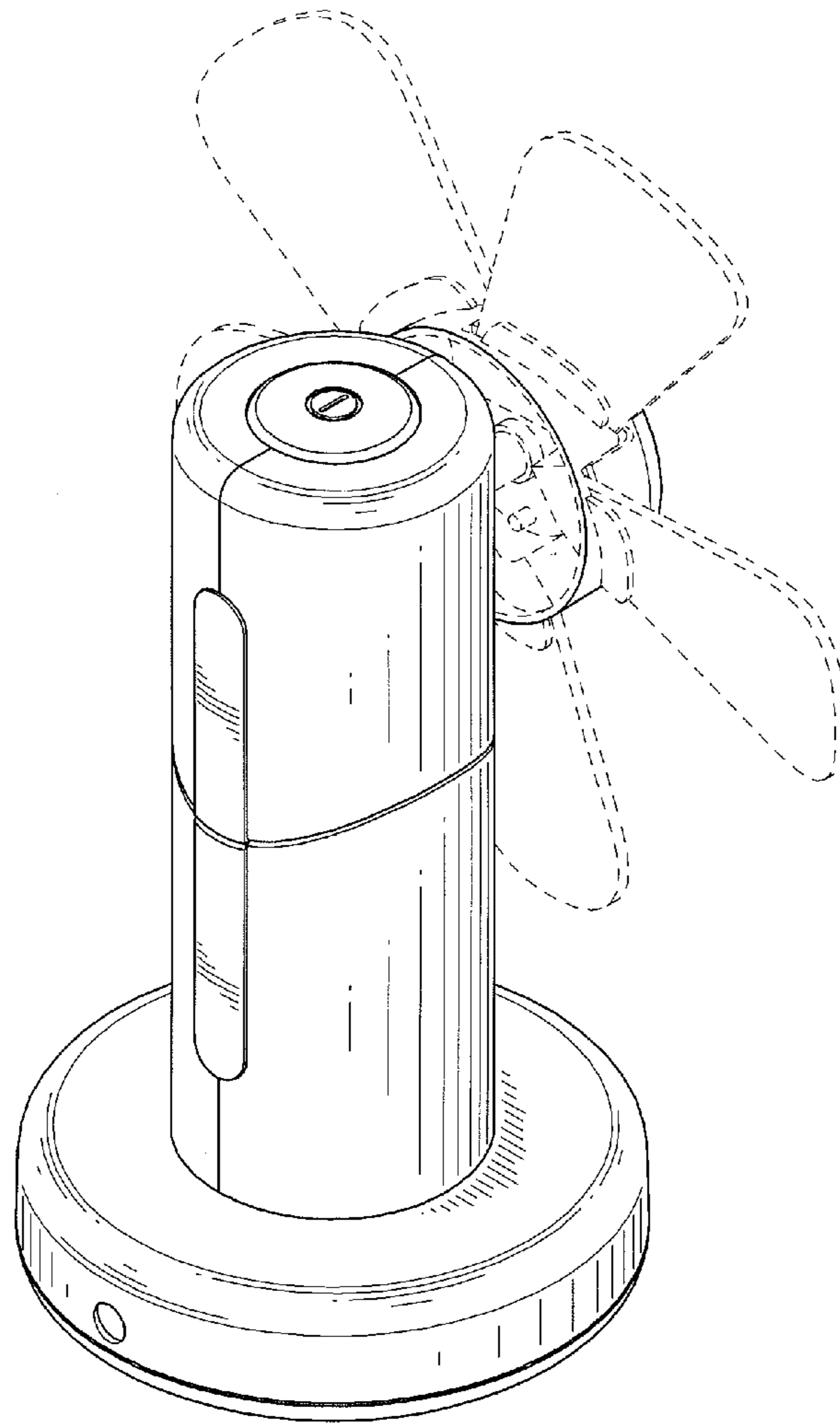


FIG.8



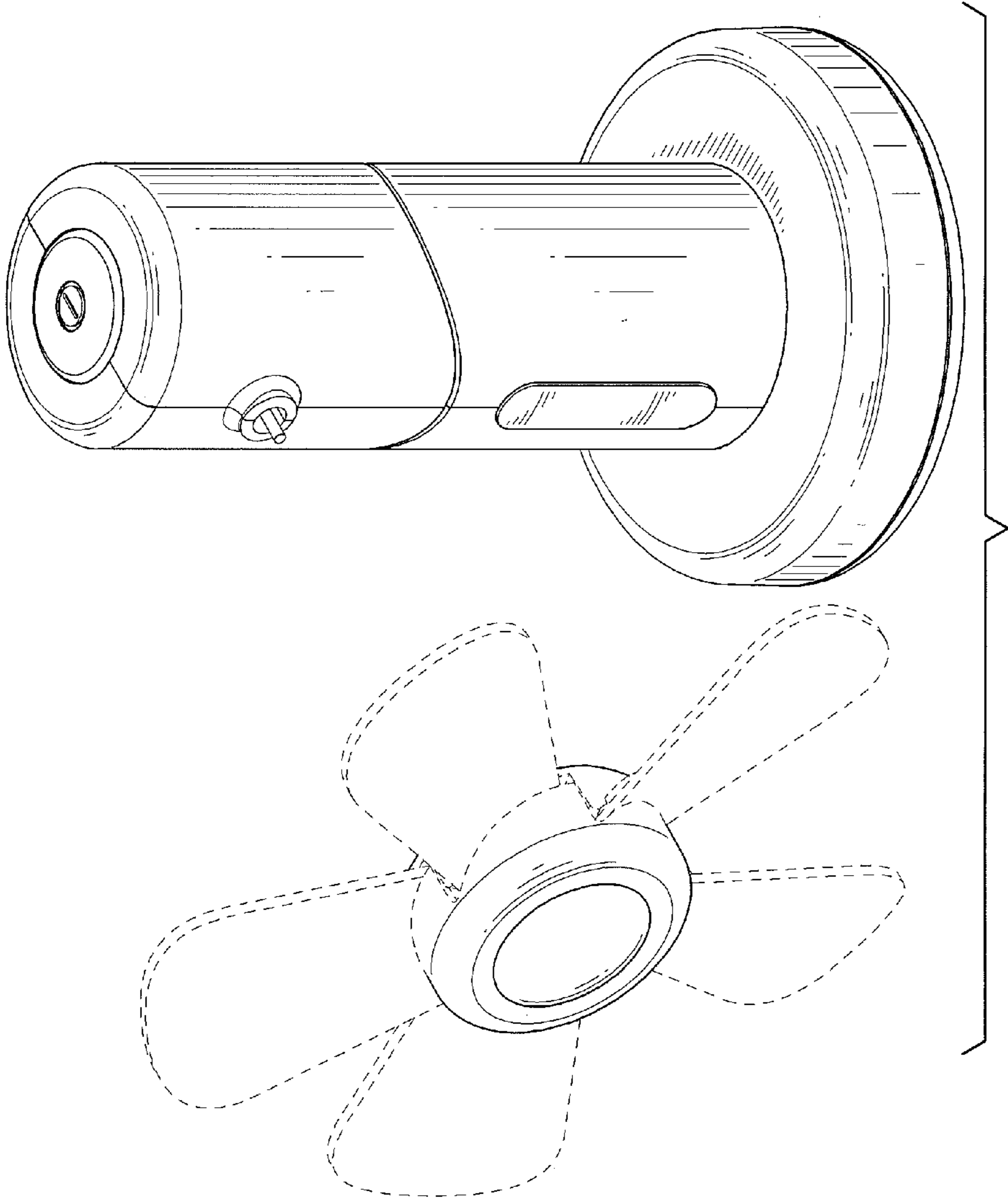


FIG.9

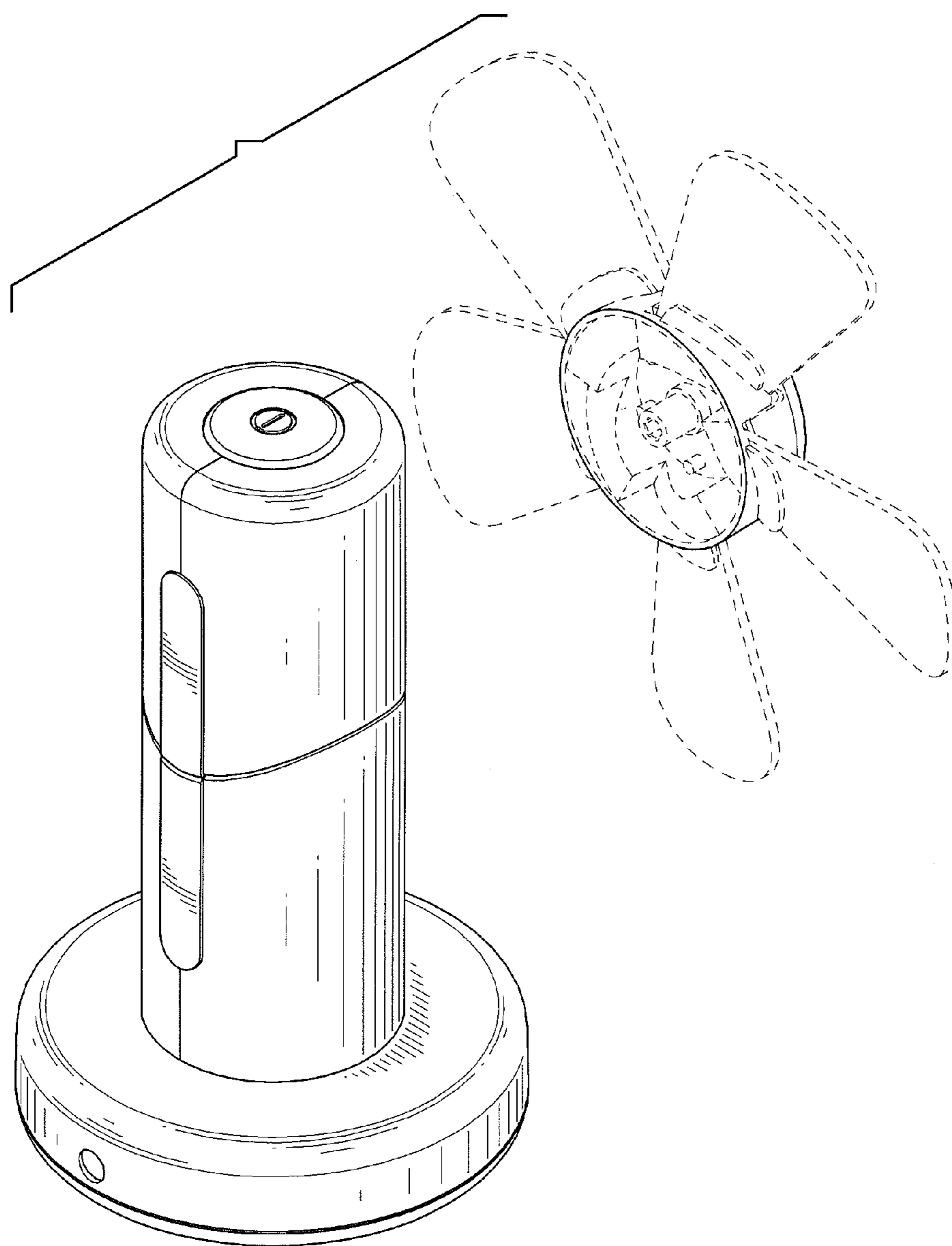


FIG.10