

US00D669163S

(12) **United States Design Patent**
Gass

(10) **Patent No.:** **US D669,163 S**
(45) **Date of Patent:** **** Oct. 16, 2012**

(54) **CORNER PLATE WITH SLED FEATURE**

(75) Inventor: **Chris Gass**, Charlotte Hall, MD (US)

(73) Assignee: **Production Products, Inc.**, Charlotte Hall, MD (US)

(**) Term: **14 Years**

(21) Appl. No.: **29/411,673**

(22) Filed: **Jan. 25, 2012**

(51) **LOC (9) Cl.** **23-04**

(52) **U.S. Cl.** **D23/393**

(58) **Field of Classification Search** D23/385-395,
D23/397, 370-373, 365, 351, 354, 399-403,
D23/421, 499; 454/309, 275-277, 284, 287-291,
454/358-363; 52/302.1, 32.07, 656.9; D8/349,
D8/354, 16; 248/220.1, 188, 258; 160/381;
285/363, 424; 49/425

See application file for complete search history.

(56) **References Cited**

U.S. PATENT DOCUMENTS

2,785,035	A	3/1957	Hammer	
D231,430	S	4/1974	Steinhauser	
4,030,160	A *	6/1977	Lambertz et al.	49/425
4,068,967	A *	1/1978	Hoodis	52/656.9
4,167,261	A *	9/1979	Bartels	248/258
D257,219	S *	10/1980	Cook	D8/354
4,244,609	A	1/1981	Smitka	
4,466,641	A	8/1984	Heilman et al.	
4,542,923	A	9/1985	La Crosse et al.	
4,558,892	A	12/1985	Daw et al.	
4,584,756	A	4/1986	Arnoldt	
5,005,879	A	4/1991	Jackson	
5,069,484	A	12/1991	McElroy	

5,165,730	A	11/1992	McElroy	
D341,074	S *	11/1993	Wagner	D8/349
D342,662	S *	12/1993	Lavin, Sr.	D8/354
5,283,944	A	2/1994	Goodhue	
5,342,100	A	8/1994	Goodhue	
D364,331	S *	11/1995	Leek	D8/354
5,564,758	A	10/1996	Tiberio	
D400,080	S *	10/1998	Beard, Jr.	D8/354
D414,400	S *	9/1999	Williams	D8/354
D434,638	S *	12/2000	McLauchlan et al.	D8/354
6,428,056	B1	8/2002	Issagholian-Havai	
D478,802	S *	8/2003	Jones	D8/354
D606,384	S *	12/2009	Antonic	D8/354
D647,385	S *	10/2011	Watts	D8/349

FOREIGN PATENT DOCUMENTS

GB 2216212 A 4/1989

* cited by examiner

Primary Examiner — David Muller

(74) *Attorney, Agent, or Firm* — Dickstein Shapiro LLP

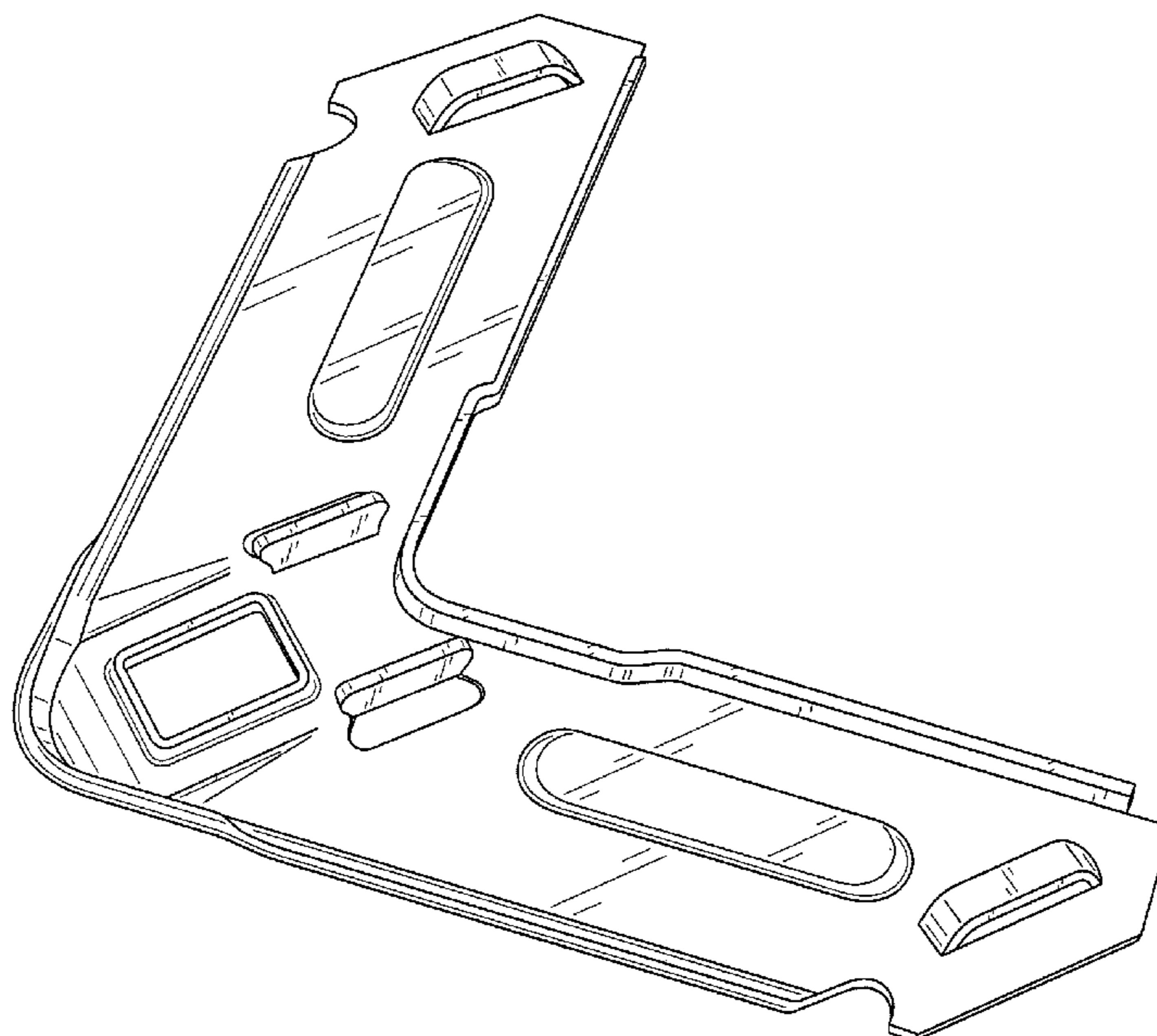
(57) **CLAIM**

The ornamental design for corner plate with sled feature, as shown and described.

DESCRIPTION

FIG. 1 is a bottom perspective view of corner plate with sled feature, showing the new design; FIG. 2 is a front view thereof; FIG. 3 is a rear view thereof; FIG. 4 is a right side view thereof; FIG. 5 is a left side view thereof; FIG. 6 is a top view thereof; and, FIG. 7 is a bottom view thereof.

1 Claim, 5 Drawing Sheets



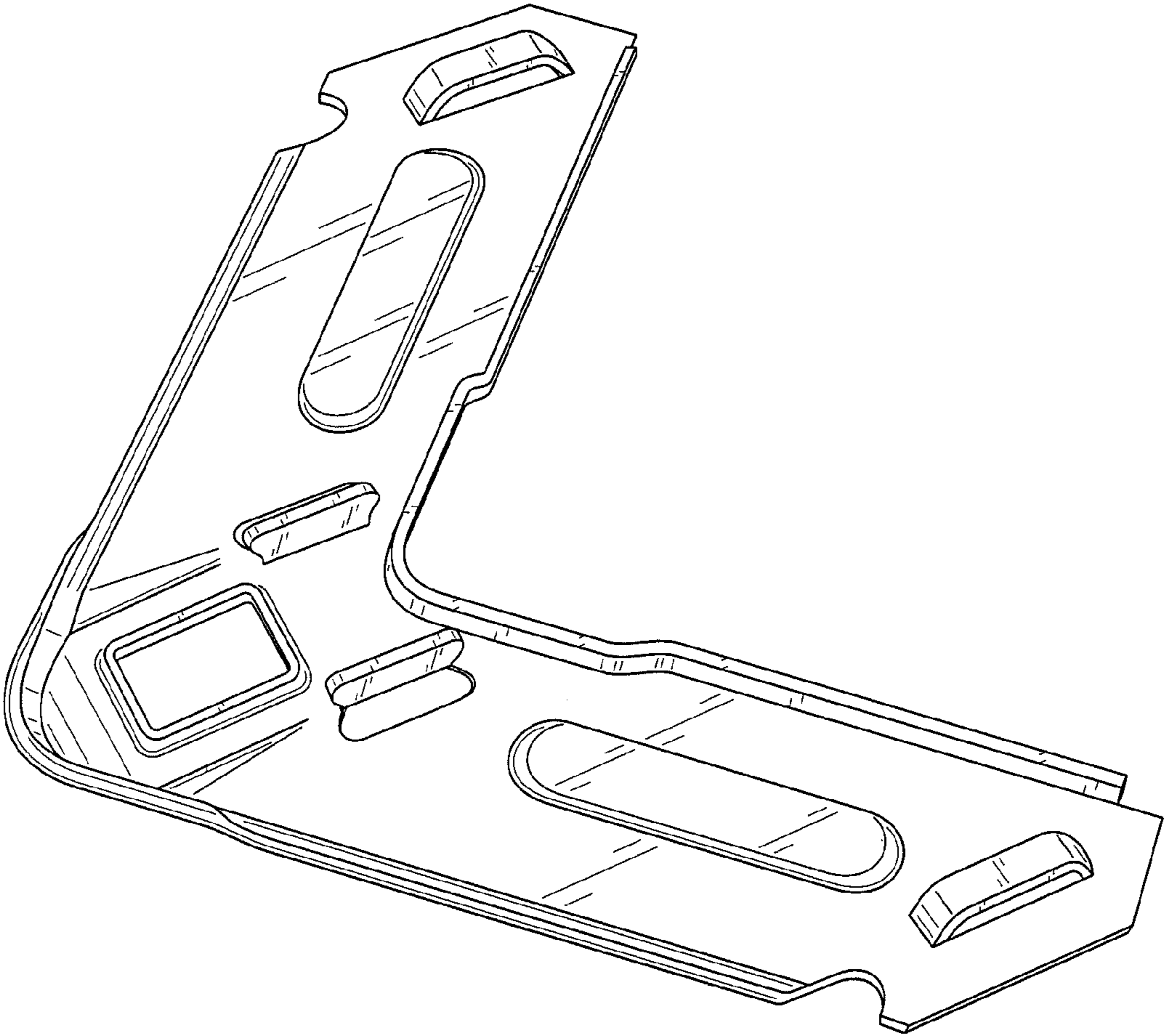


FIG. 1

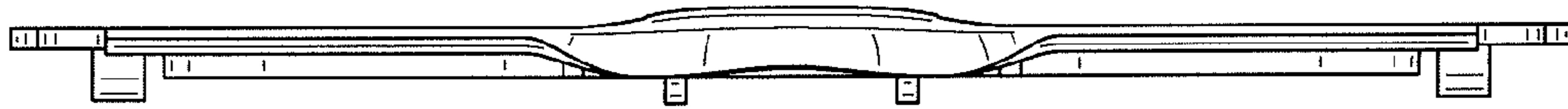


FIG. 2

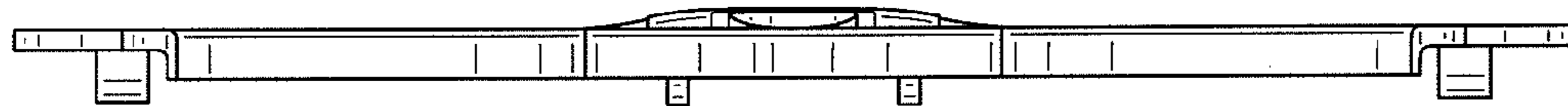


FIG. 3

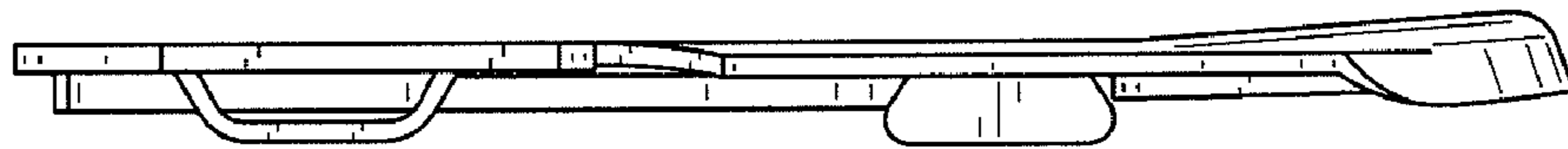


FIG. 4

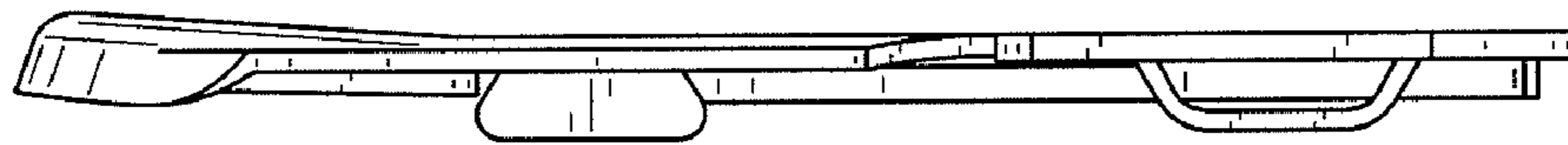


FIG. 5

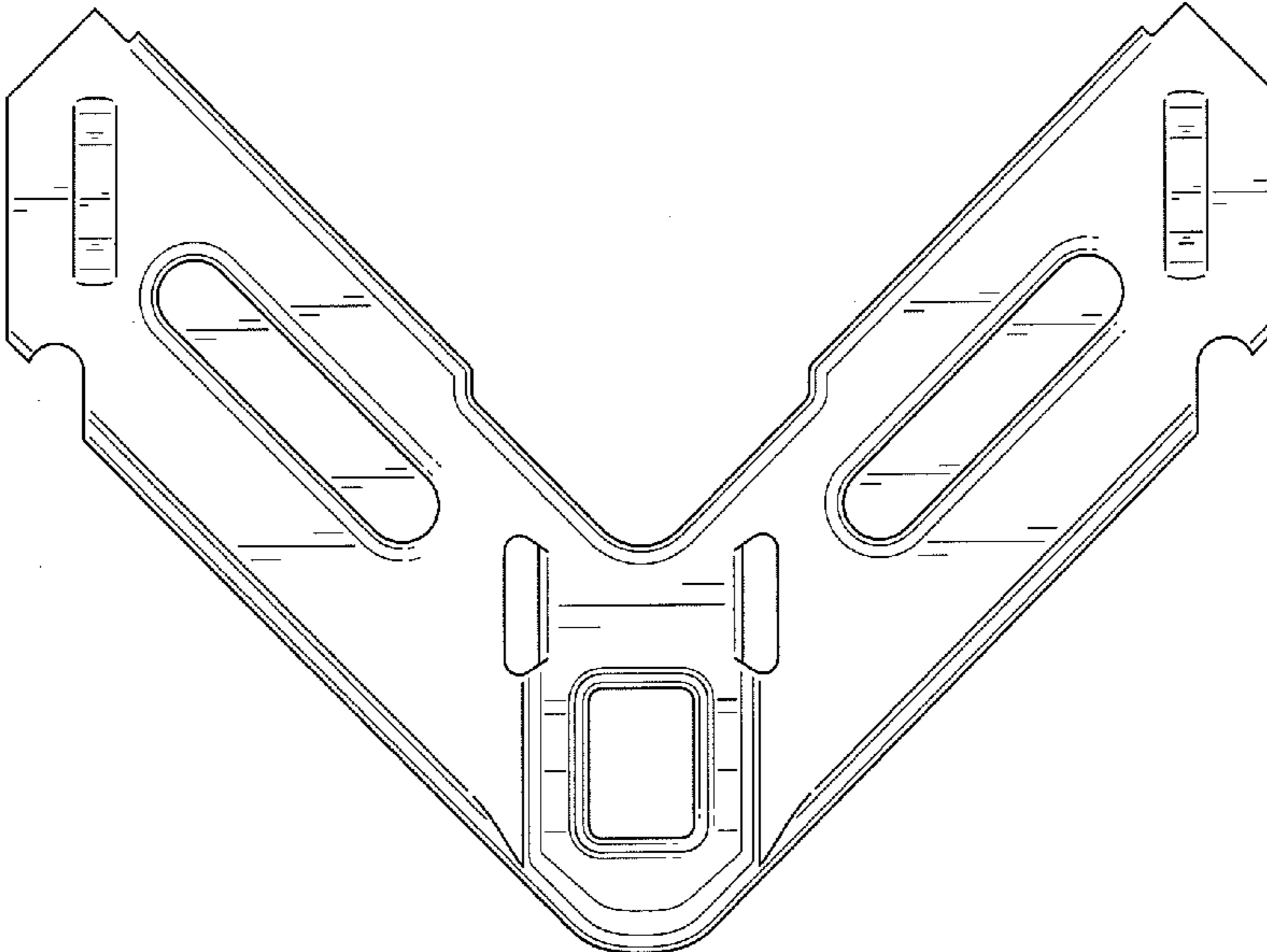


FIG. 6

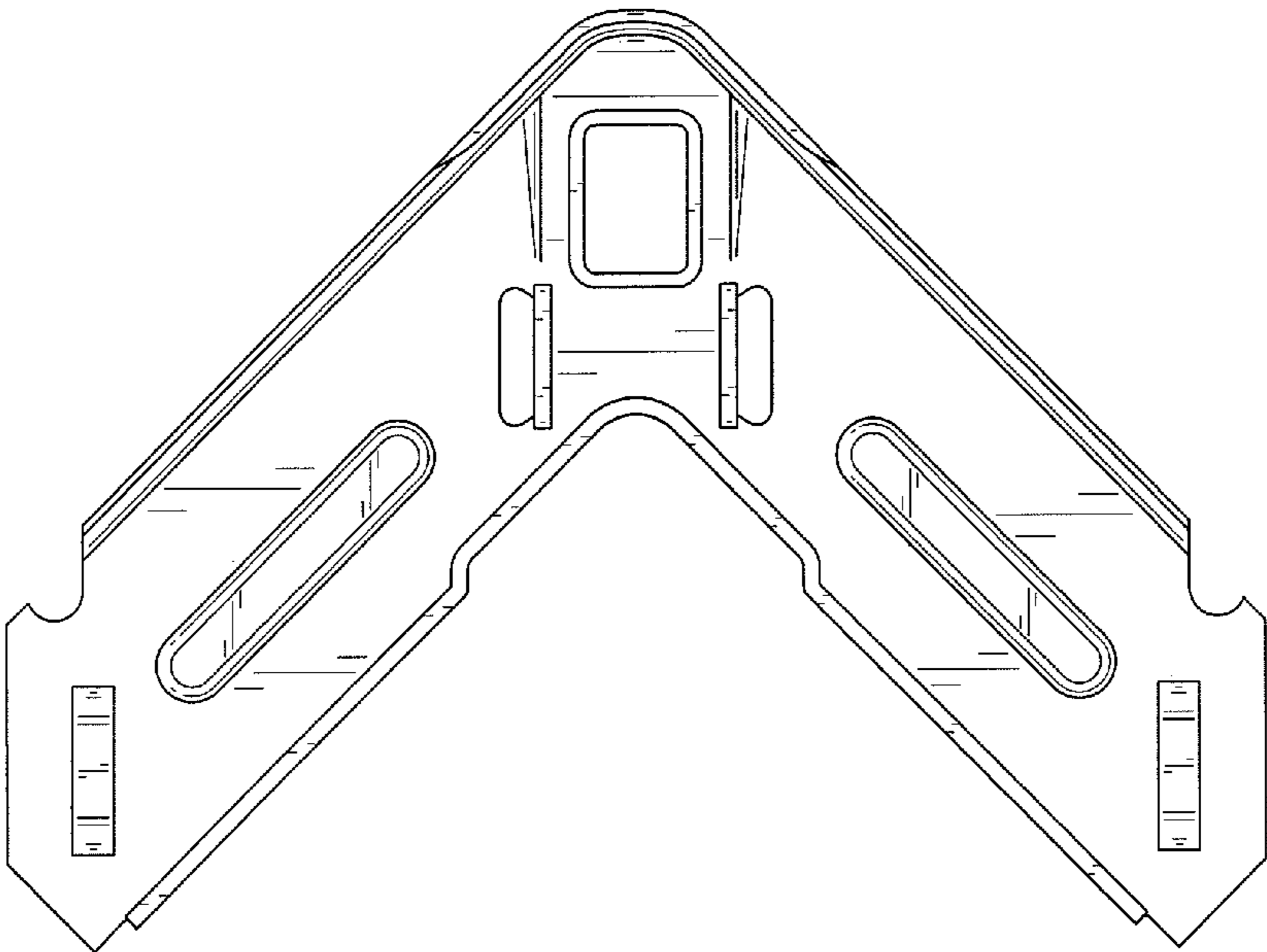


FIG. 7