



US00D669159S

(12) **United States Design Patent**
Huang

(10) **Patent No.:** **US D669,159 S**

(45) **Date of Patent:** **** Oct. 16, 2012**

(54) **FAUCET HANDLE**

(75) Inventor: **Li-Chen Huang**, Changhua Hsien (TW)

(73) Assignee: **Alexander Yeh Industry Co., Ltd.**
Chairman, Changhua Hsien (TW)

(**) Term: **14 Years**

(21) Appl. No.: **29/397,484**

(22) Filed: **Jul. 16, 2011**

(51) **LOC (9) Cl.** **23-01**

(52) **U.S. Cl.** **D23/252**

(58) **Field of Classification Search** D23/238-242,
D23/250-252; 4/675-678; 137/801
See application file for complete search history.

(56) **References Cited**

U.S. PATENT DOCUMENTS

D387,137 S * 12/1997 Donahue et al. D23/252
D397,412 S * 8/1998 Slothower et al. D23/250

D433,734 S * 11/2000 Spangler D23/252
D434,117 S * 11/2000 Spangler D23/252
D648,423 S * 11/2011 Corbett D23/250

* cited by examiner

Primary Examiner — Robert Delehanty

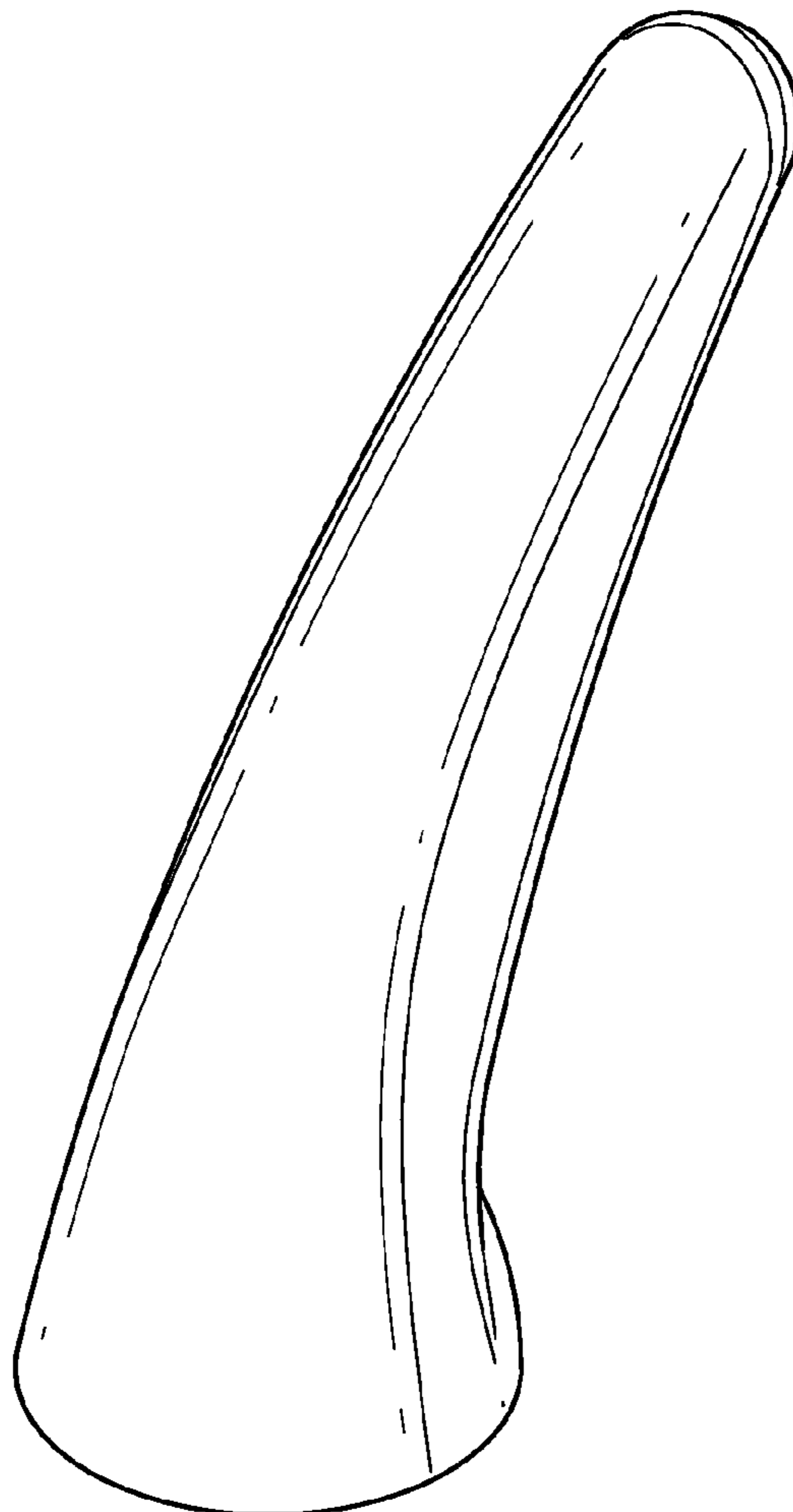
(57) **CLAIM**

The ornamental design for a faucet handle, as shown and described.

DESCRIPTION

FIG. 1 is an upper perspective view of a faucet handle showing my new design;
FIG. 2 is a front view of the embodiment shown in FIG. 1;
FIG. 3 is a rear view of the embodiment shown in FIG. 1;
FIG. 4 is a left side view of the embodiment shown in FIG. 1;
FIG. 5 is a right side view of the embodiment shown in FIG. 1;
FIG. 6 is a top view of the embodiment shown in FIG. 1; and,
FIG. 7 is a bottom view of the embodiment shown in FIG. 1.
The broken lines in FIGS. 1-7 are for illustrative purposes only and form no part of the claimed design.

1 Claim, 7 Drawing Sheets



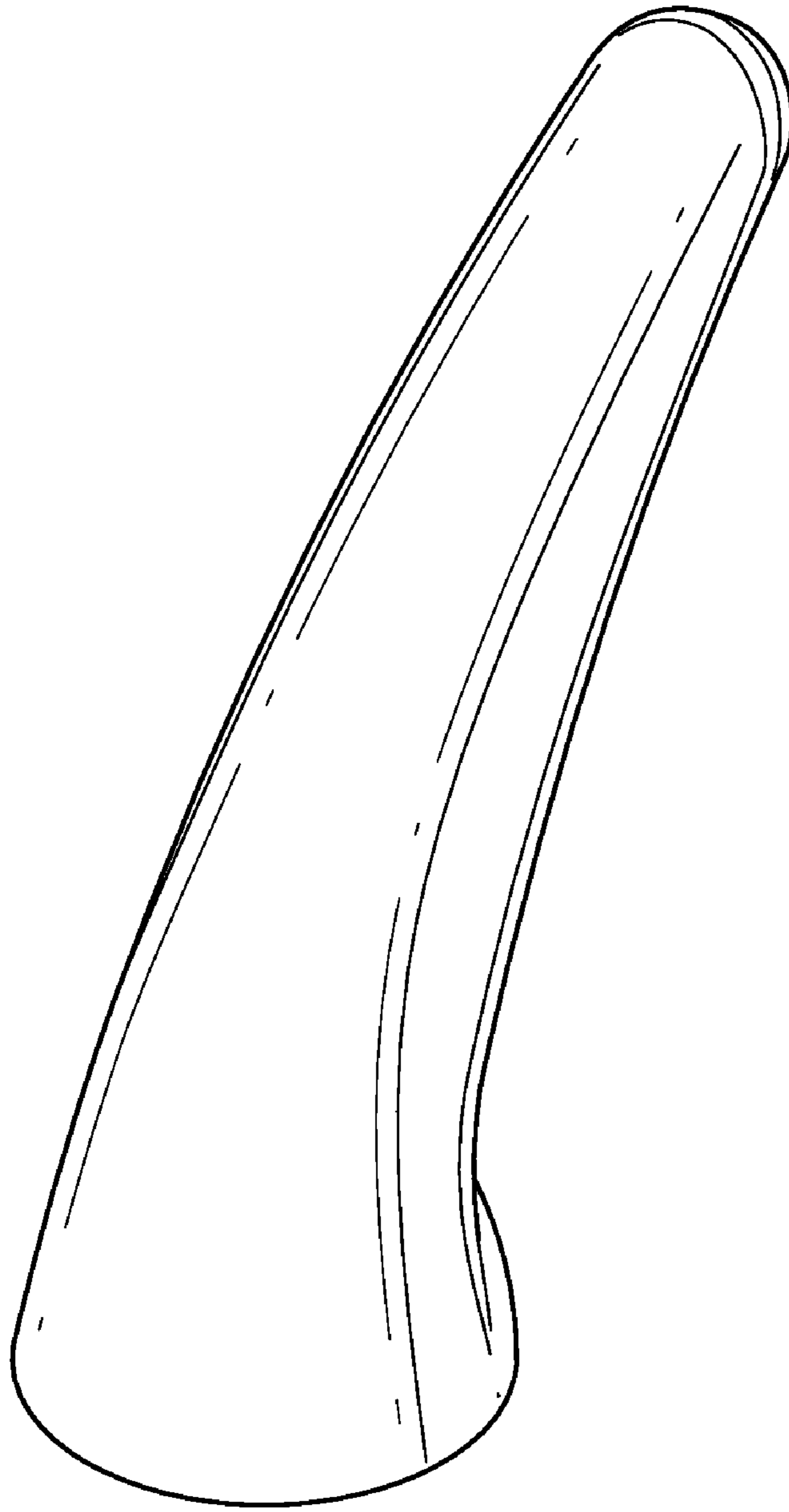


FIG. 1

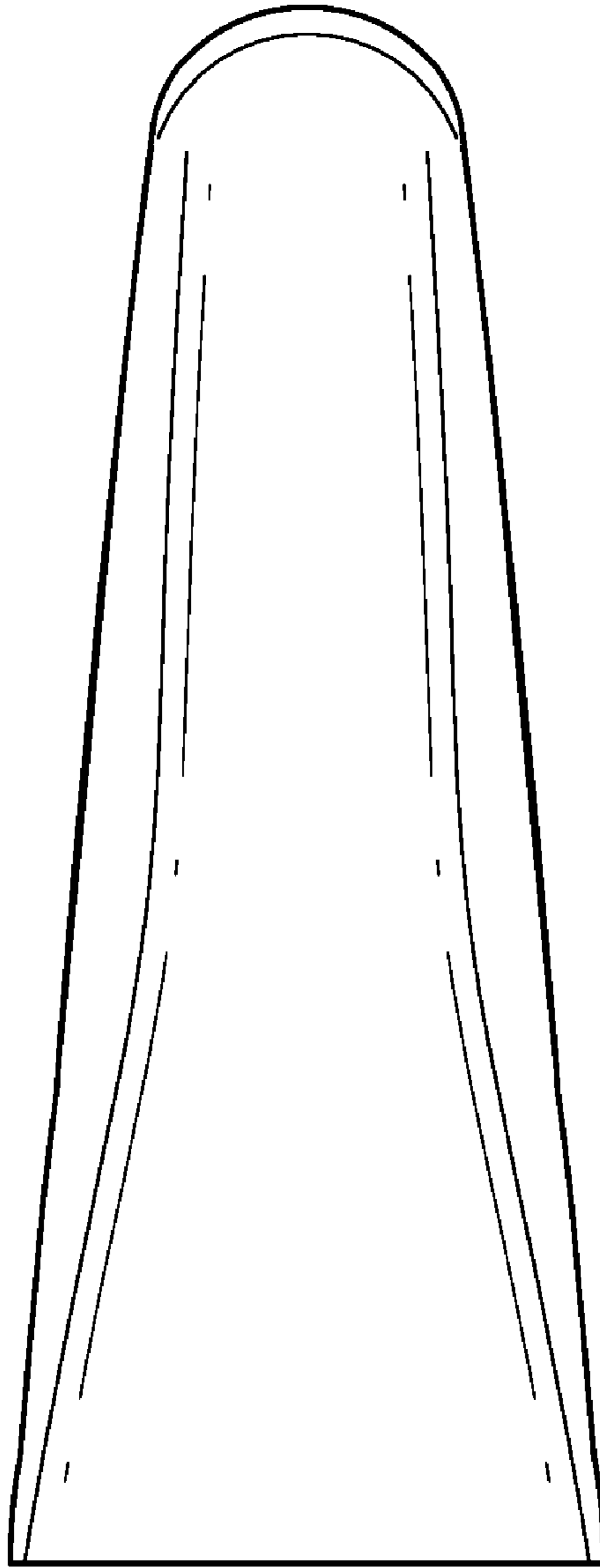


FIG. 2

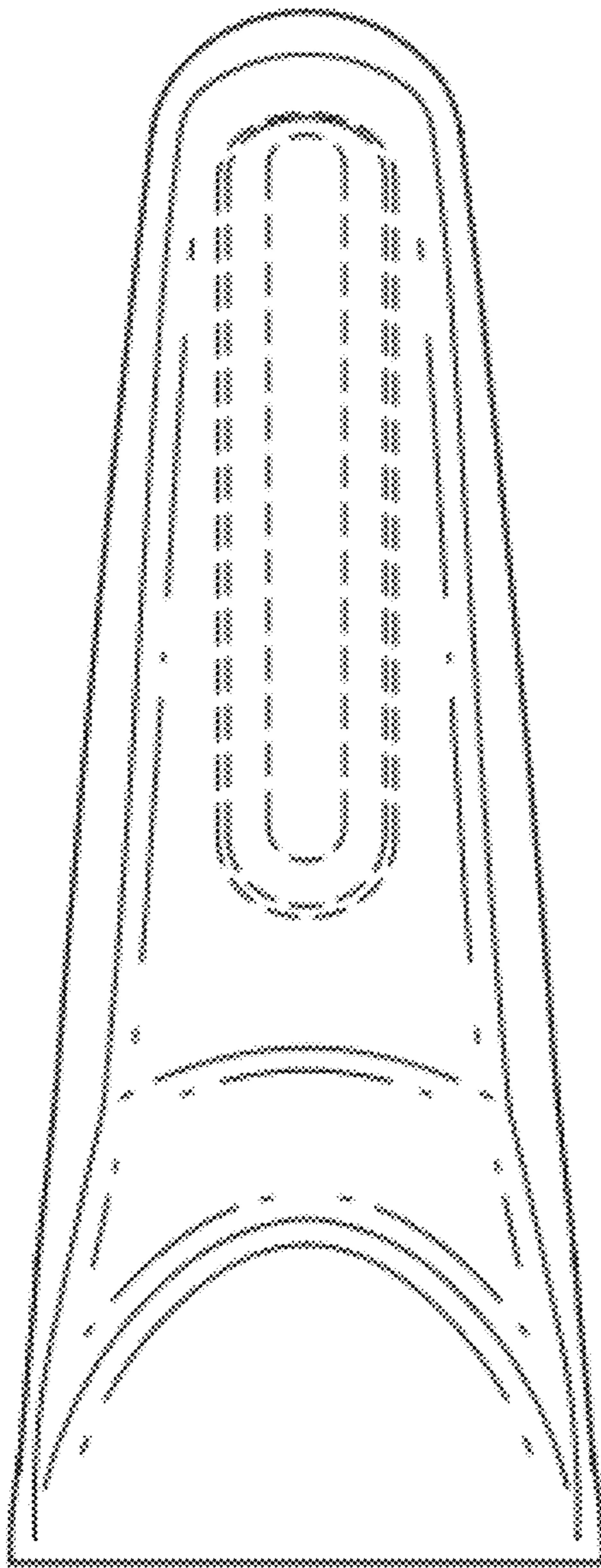


FIG. 3

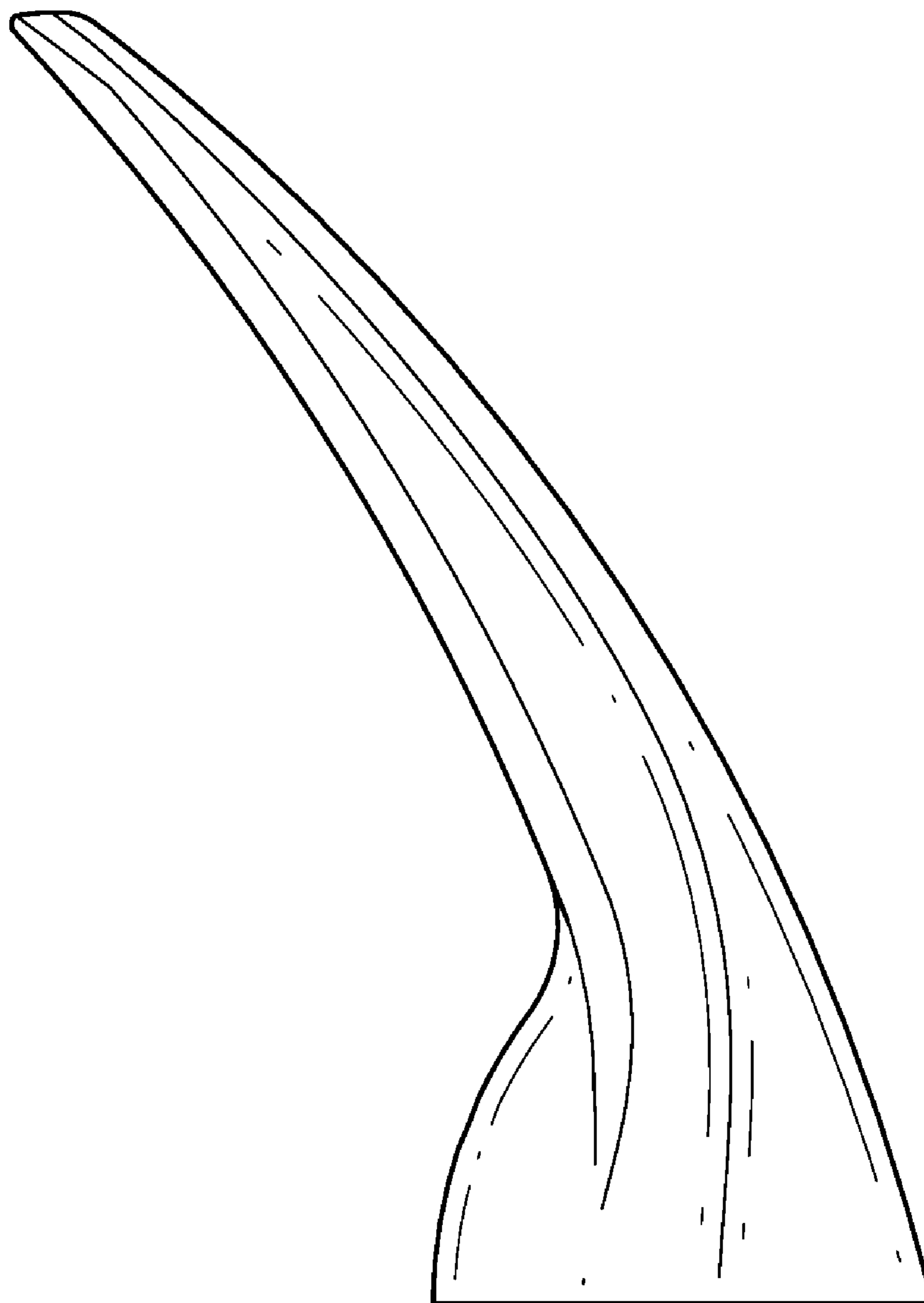


FIG. 4

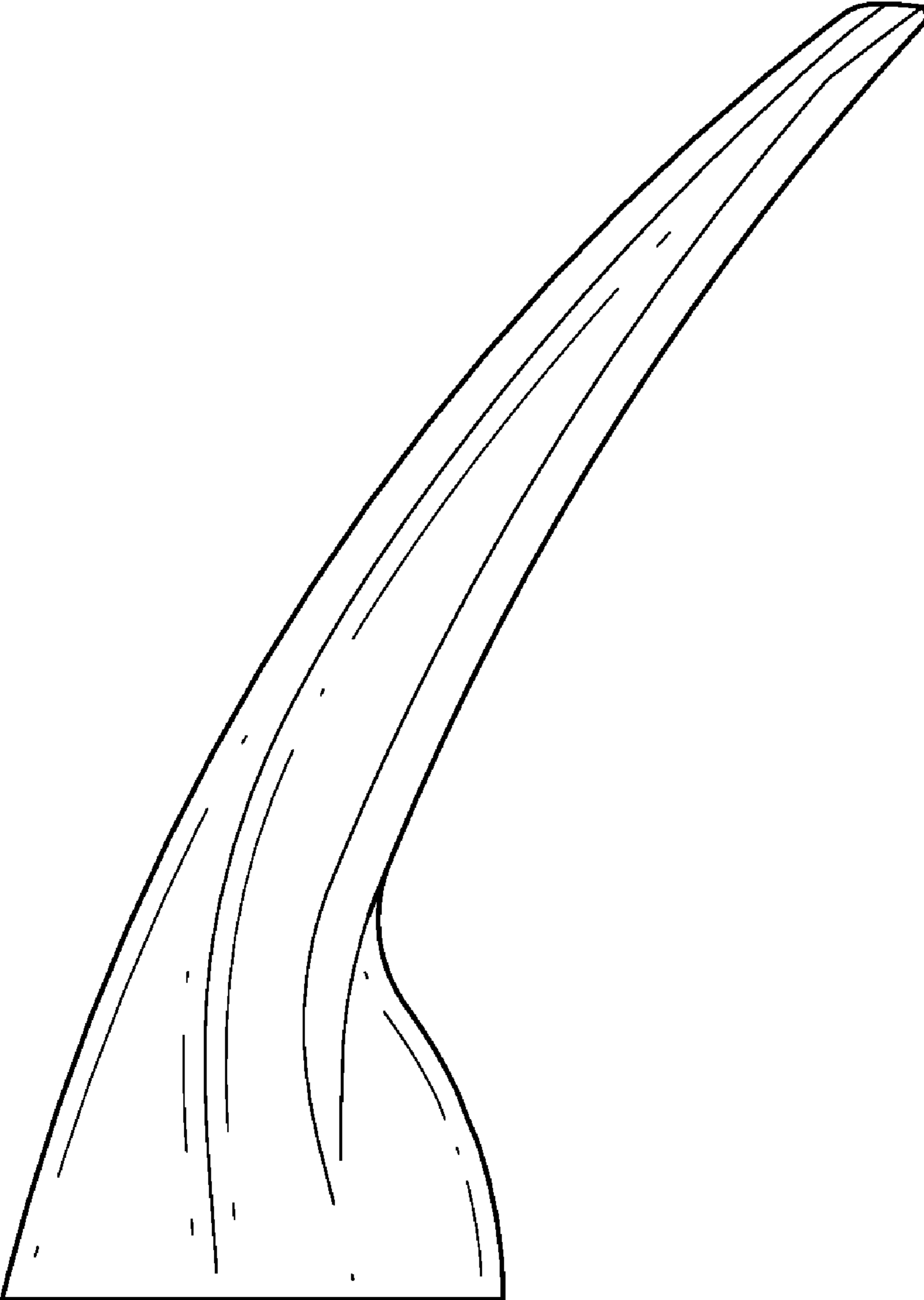


FIG. 5

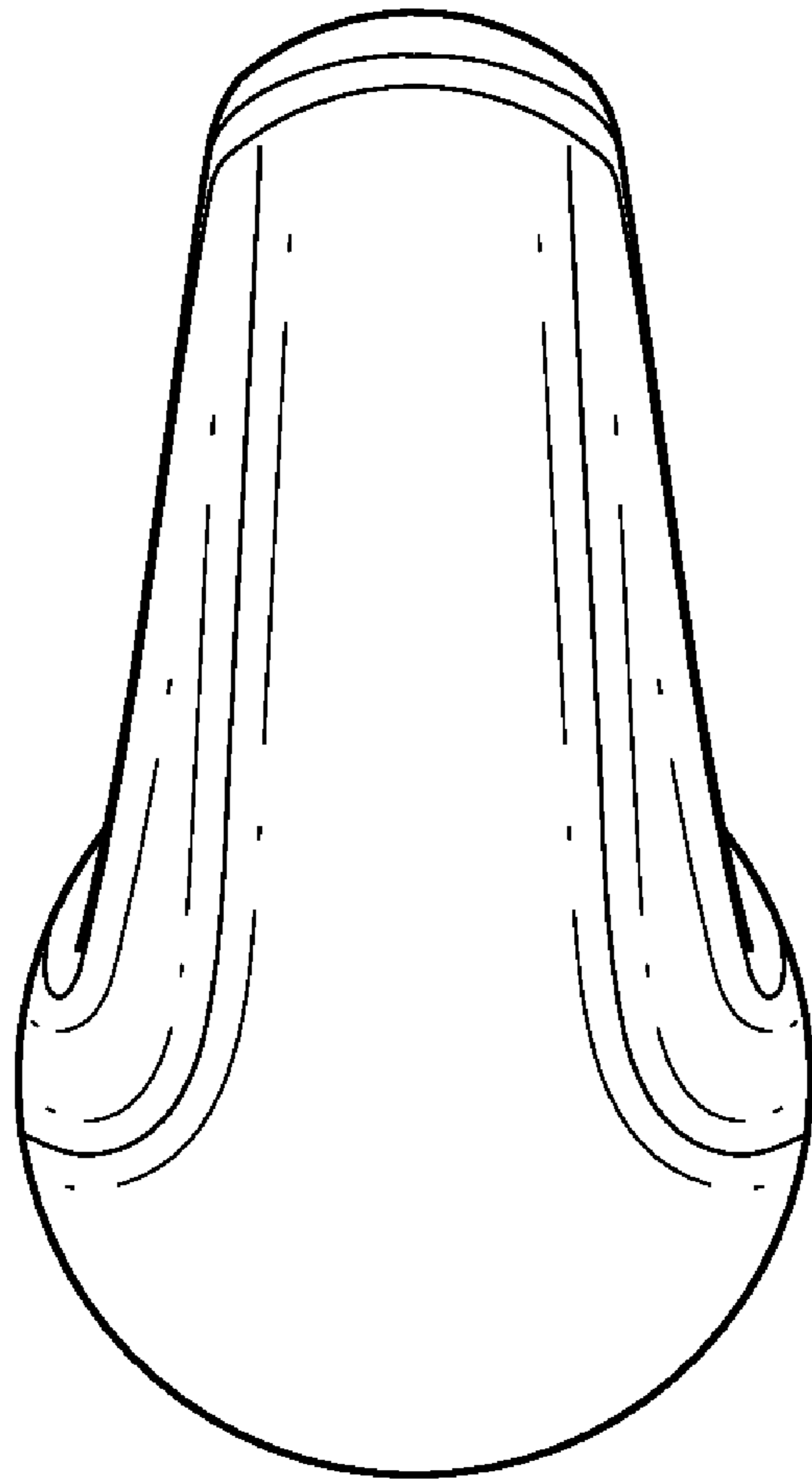


FIG. 6

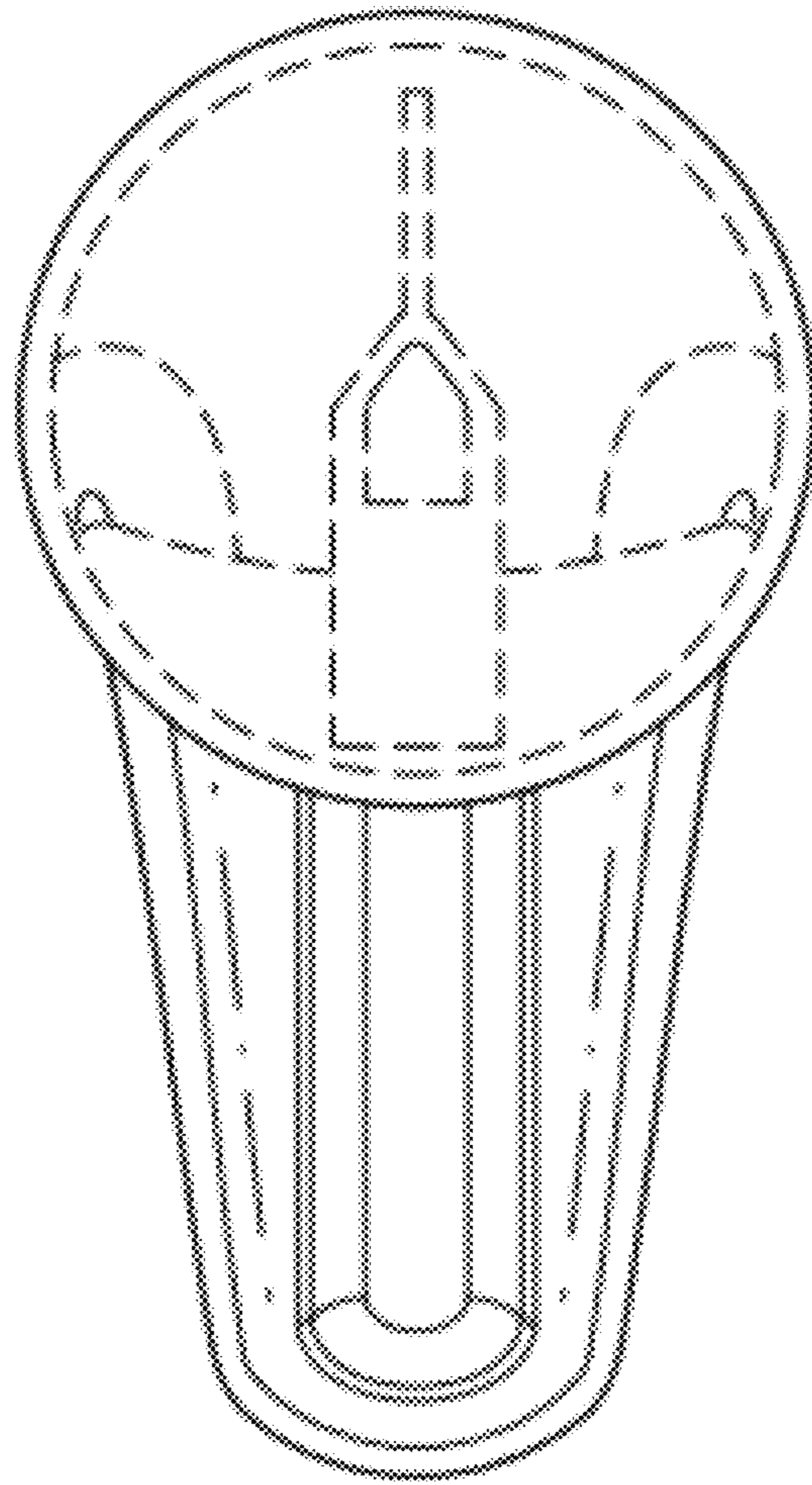


FIG. 7