



US00D669158S

(12) **United States Design Patent**
Flowers et al.

(10) **Patent No.:** **US D669,158 S**

(45) **Date of Patent:** **** Oct. 16, 2012**

(54) **SHOWERHEAD**

(75) Inventors: **Paul Flowers**, Duesseldorf (DE);
Patrick Speck, Duesseldorf (DE);
Kirstin Bengard, Mettmann (DE)

(73) Assignee: **Grohe AG**, Hemer (DE)

(**) Term: **14 Years**

(21) Appl. No.: **29/393,836**

(22) Filed: **Jun. 9, 2011**

(30) **Foreign Application Priority Data**

Dec. 20, 2010 (EM) 001795972-0002

(51) **LOC (9) Cl.** **23-01**

(52) **U.S. Cl.** **D23/229**

(58) **Field of Classification Search** D23/213,
D23/229, 230; 4/615; 239/282, 283
See application file for complete search history.

(56) **References Cited**

U.S. PATENT DOCUMENTS

2,559,559 A * 7/1951 Isenberg 239/443
D451,170 S * 11/2001 Lindholm et al. D23/229
D617,873 S * 6/2010 Lee D23/229

* cited by examiner

Primary Examiner — Robin V Webster

(74) *Attorney, Agent, or Firm* — Muncy, Geissler, Olds & Lowe, PLLC

(57) **CLAIM**

The ornamental design for a showerhead, as shown and described.

DESCRIPTION

FIG. 1 is a left side elevational view of a showerhead according to the invention.

FIG. 2 is a right side elevational view of the showerhead of FIG. 1.

FIG. 3 is a front elevational view of the showerhead of FIG. 1.

FIG. 4 is a rear elevational view of the showerhead of FIG. 1.

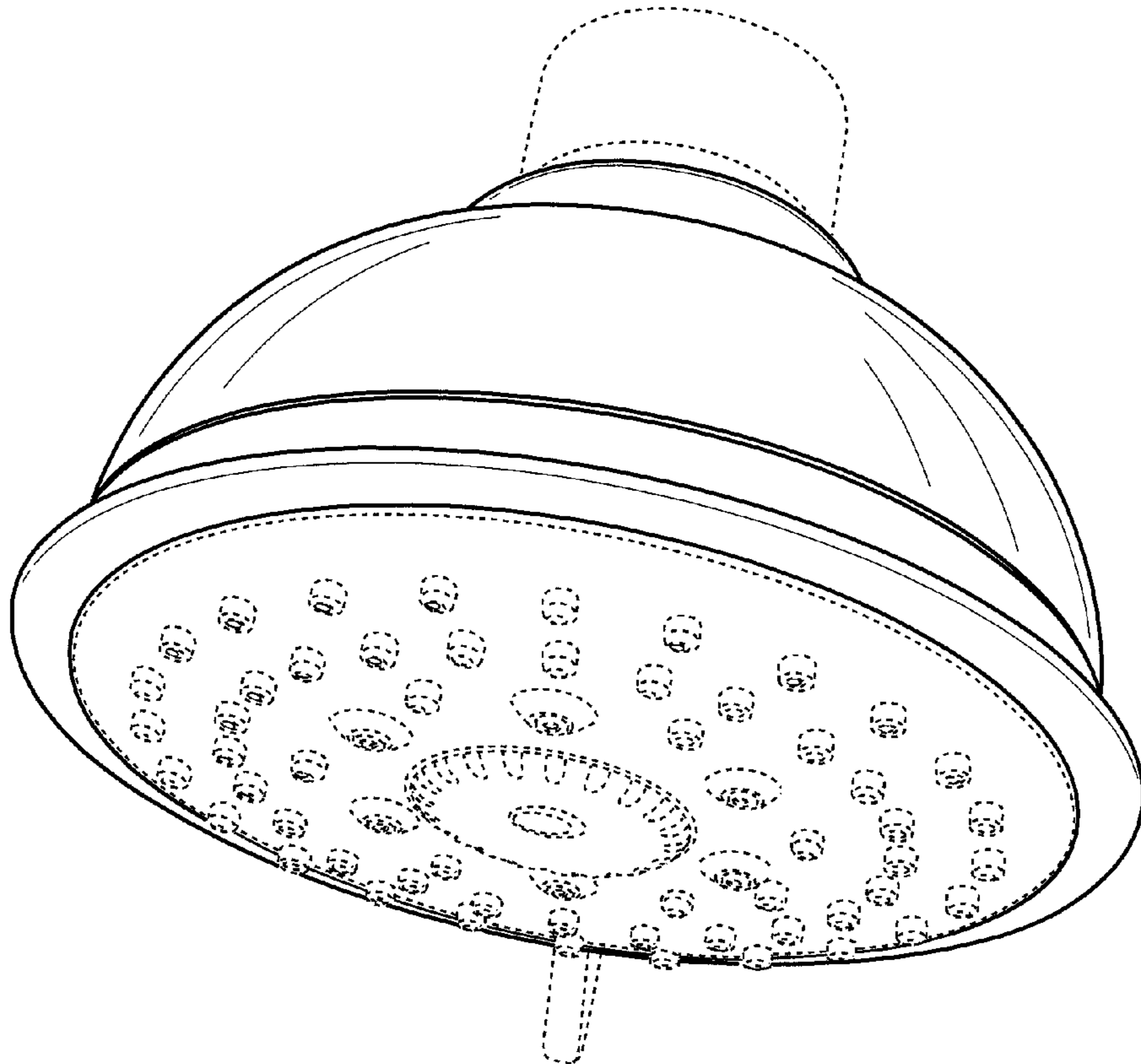
FIG. 5 is a top plan view of the showerhead of FIG. 1.

FIG. 6 is a bottom plan view of the showerhead of FIG. 1; and,

FIG. 7 is a three-quarter perspective view of the showerhead of FIG. 1.

The dashed lines illustrate environment that does not form a part of the present invention, and no claim is made to the material illustrated with dashed lines.

1 Claim, 7 Drawing Sheets



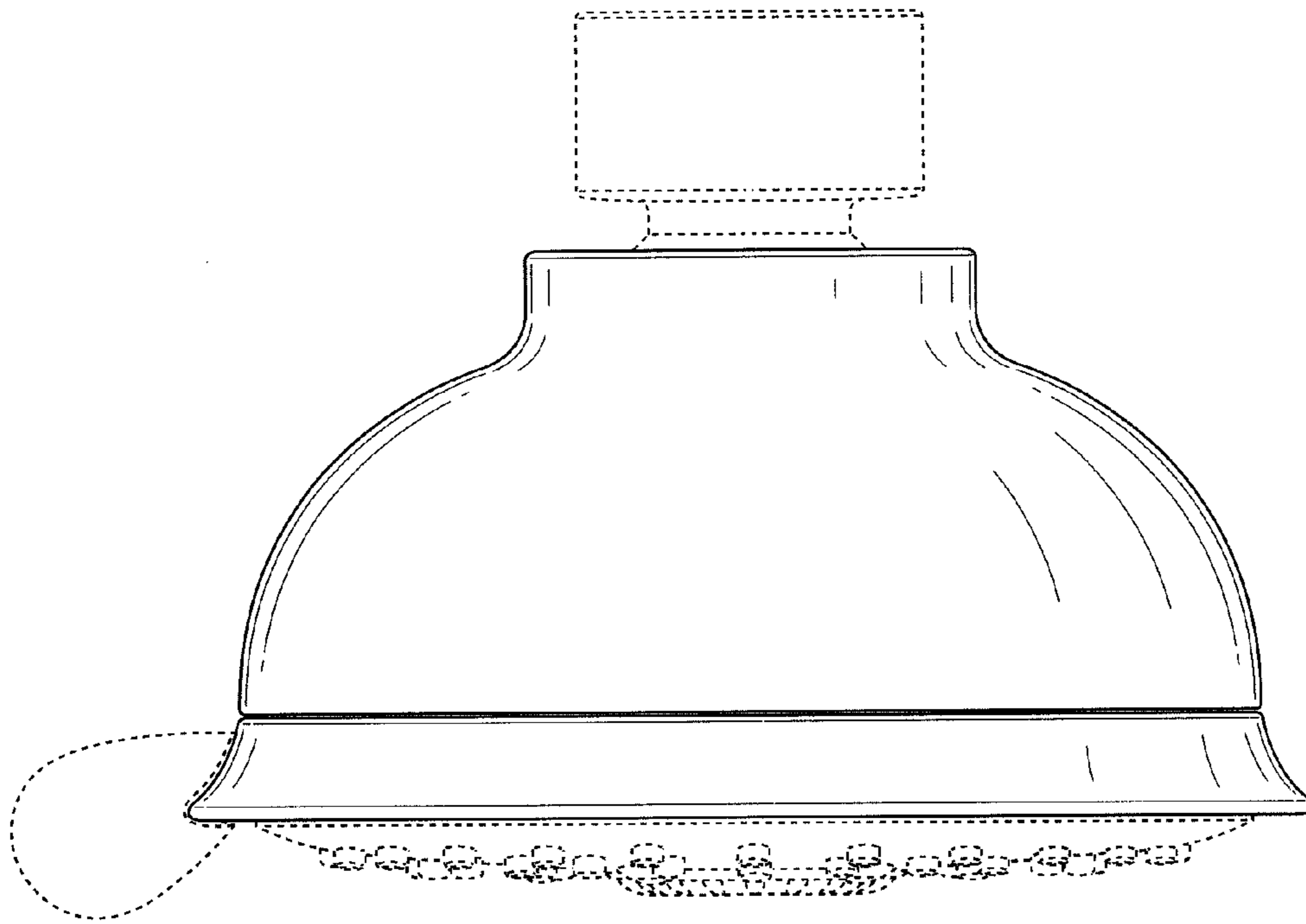


FIG. 1

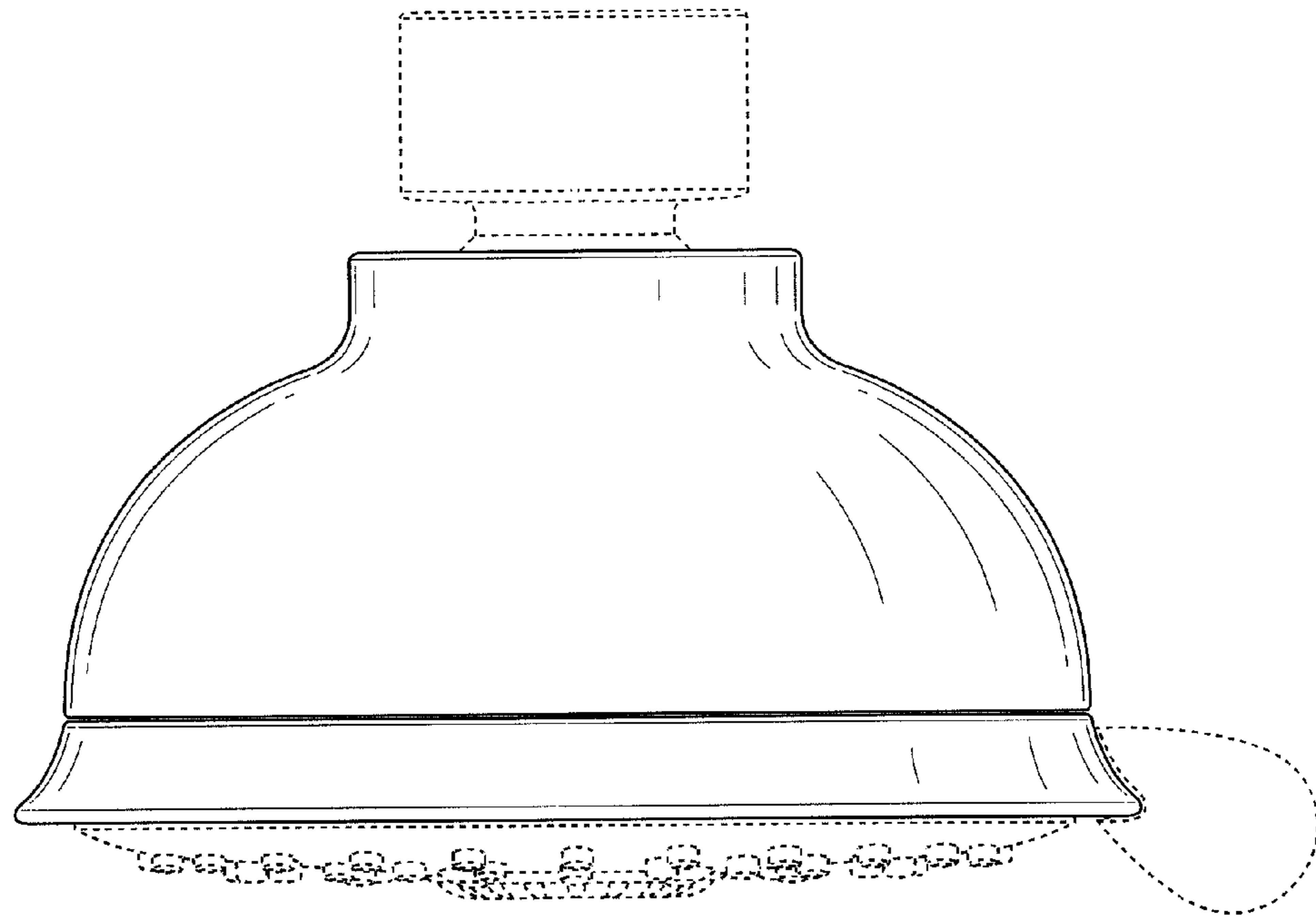


FIG. 2

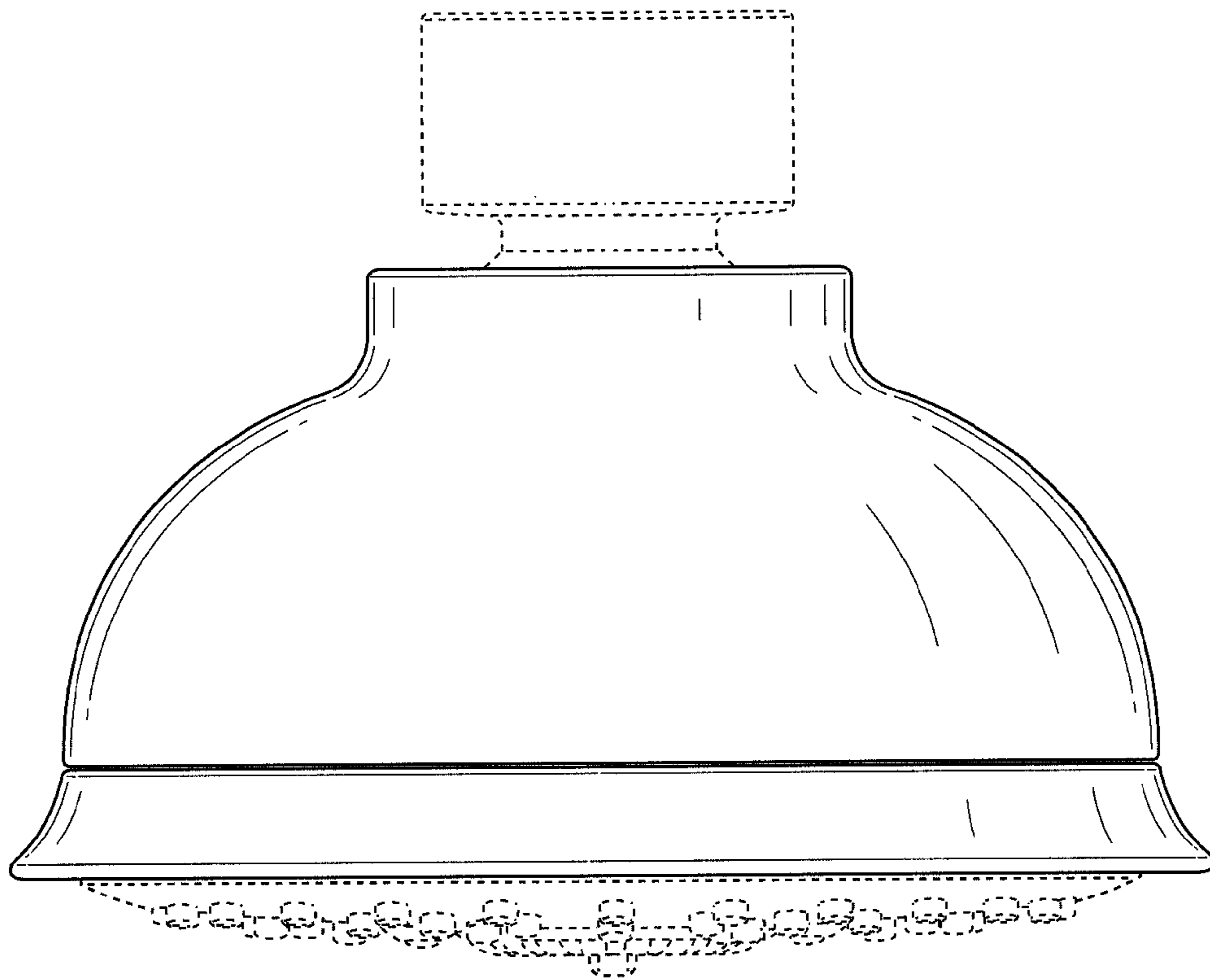


FIG. 3

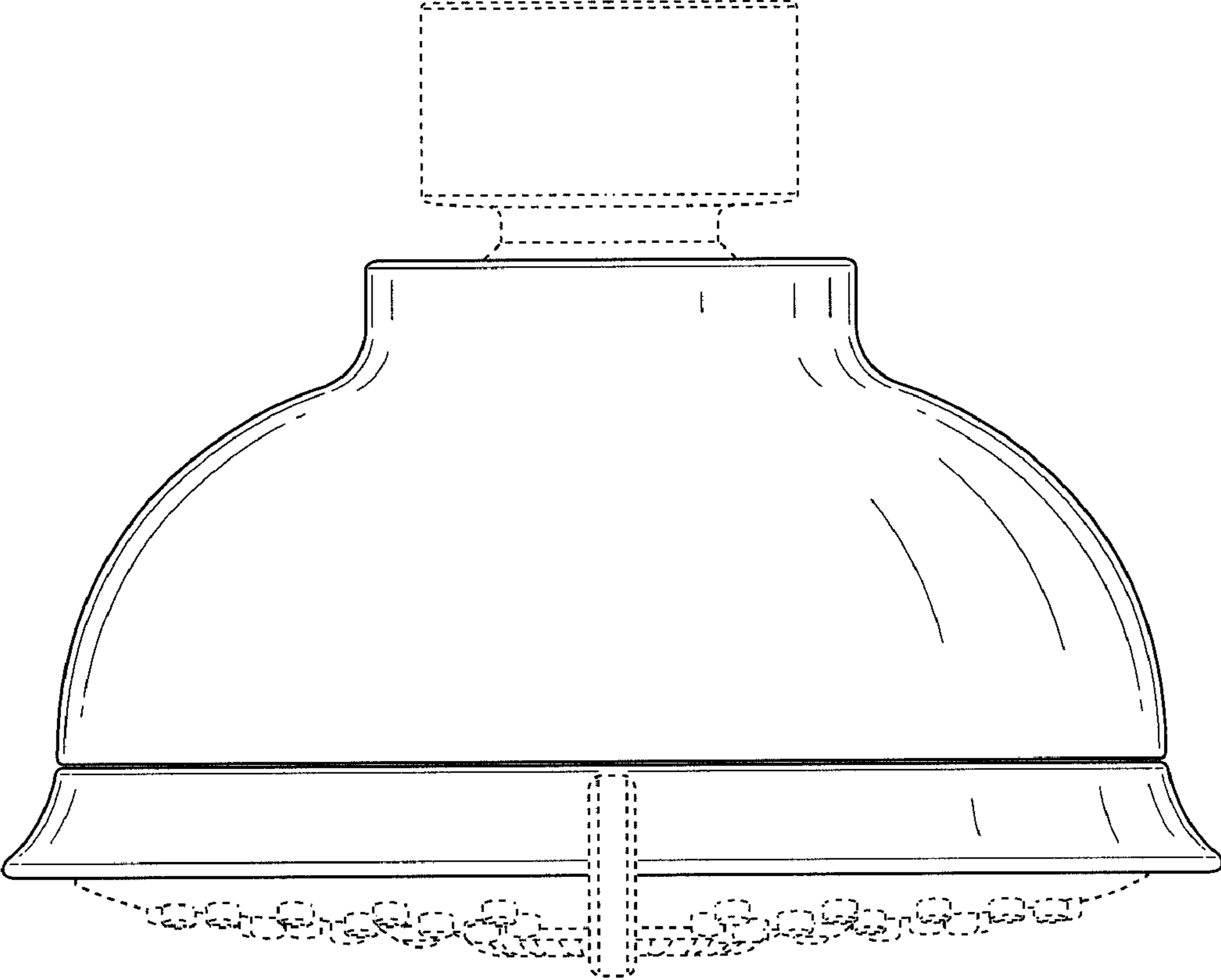


FIG. 4

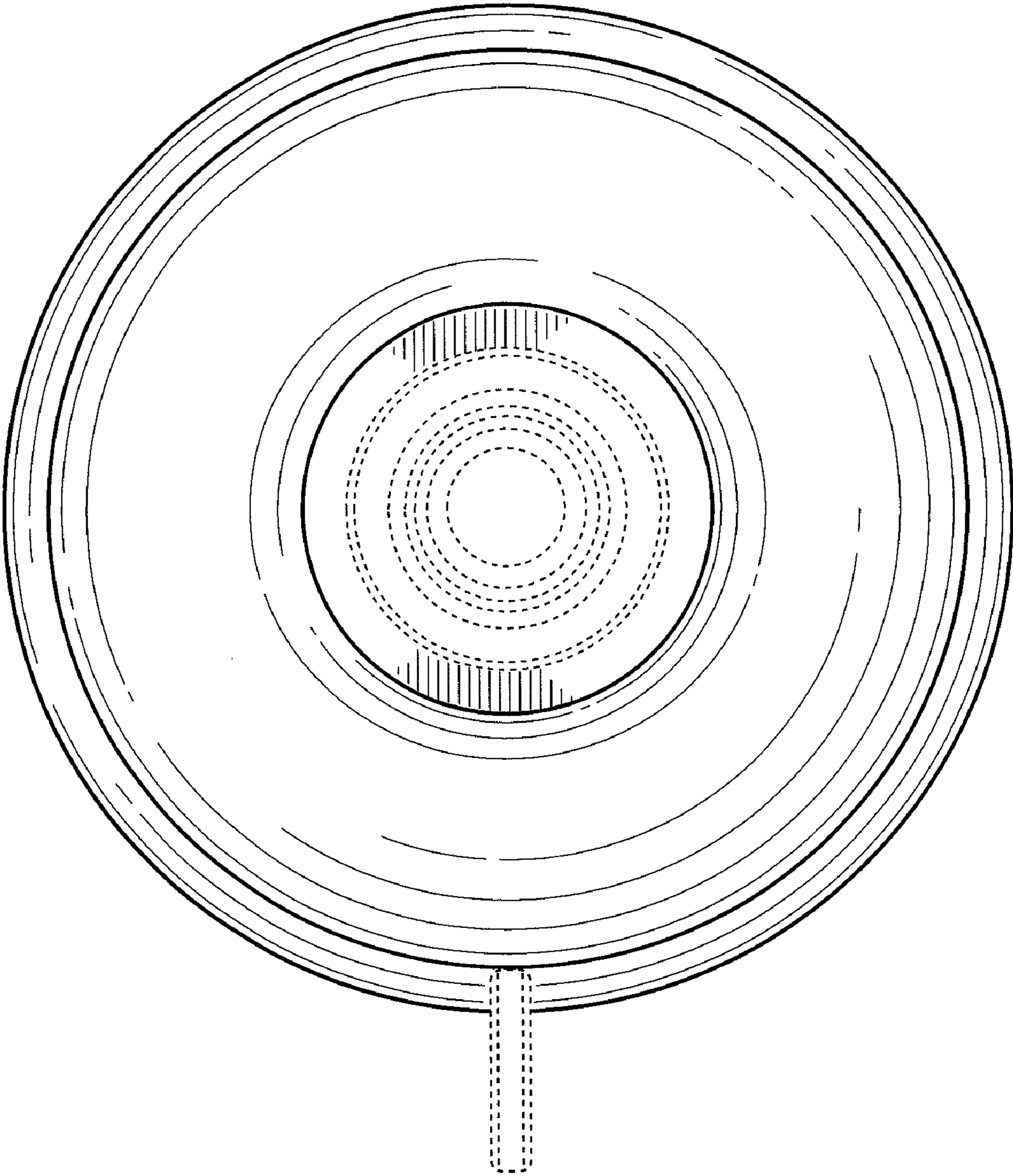


FIG. 5

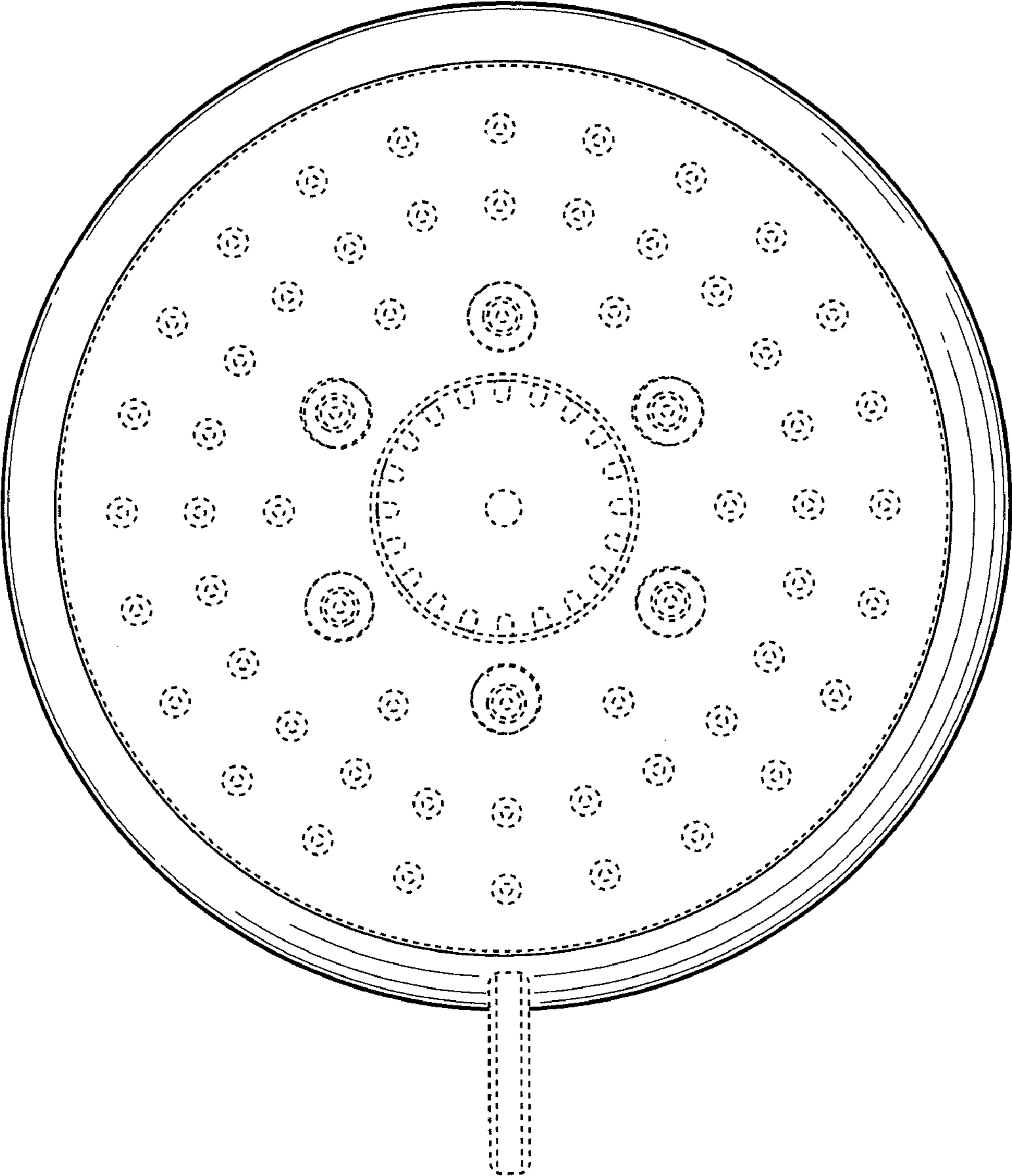


FIG. 6

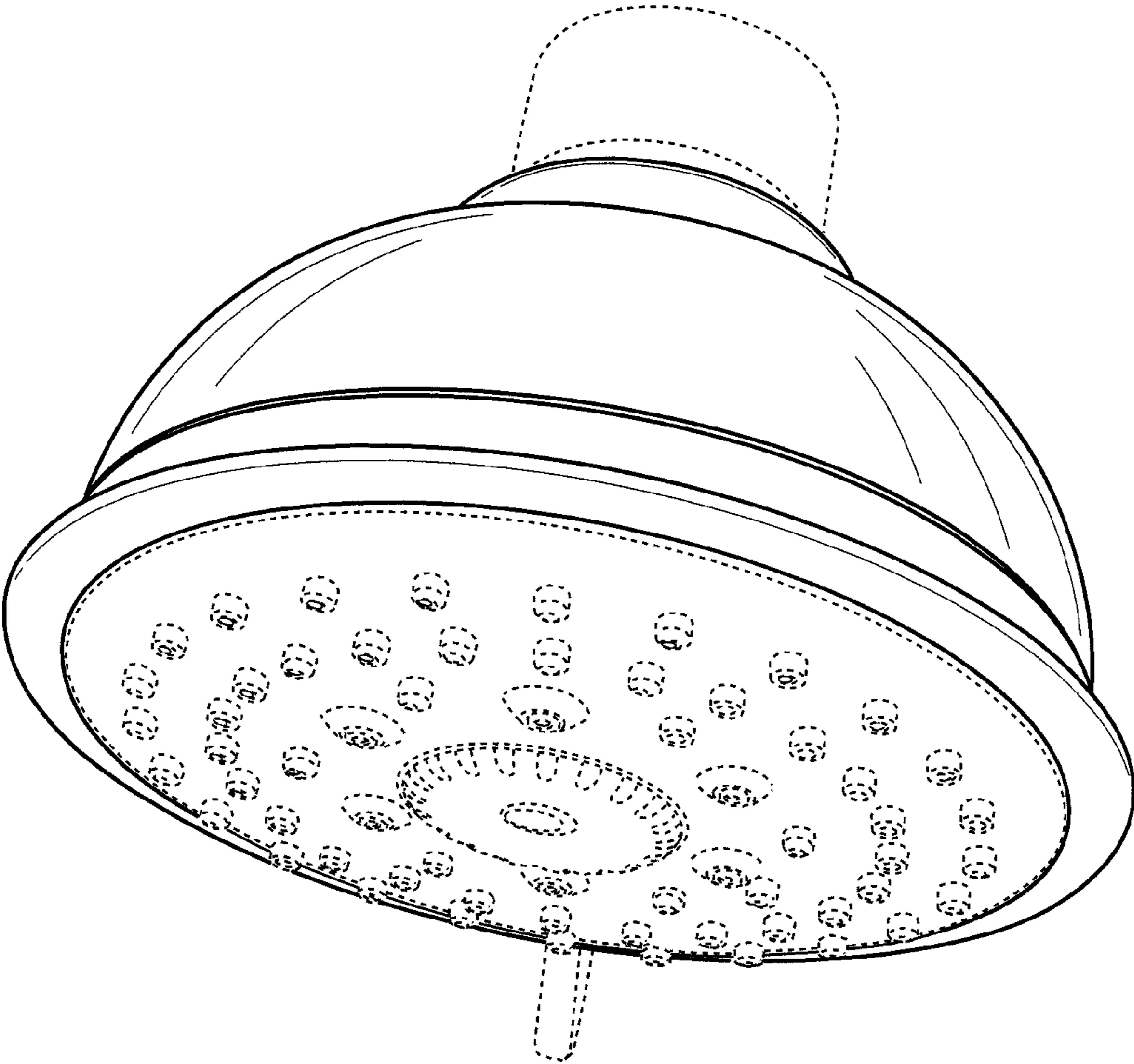


FIG. 7