



US00D669156S

(12) **United States Design Patent**  
**Schoenherr et al.**

(10) **Patent No.:** **US D669,156 S**  
(45) **Date of Patent:** **\*\* Oct. 16, 2012**

(54) **HANDHELD SHOWER**

(75) Inventors: **Tom Schoenherr**, Stuttgart (DE);  
**Matthias Oesterle**, Winterbach (DE)

(73) Assignee: **Hansgrohe SE**, Schiltach (DE)

(\*\*) Term: **14 Years**

(21) Appl. No.: **29/414,099**

(22) Filed: **Feb. 24, 2012**

(30) **Foreign Application Priority Data**

Sep. 1, 2011 (EM) ..... 001291603-0002

(51) **LOC (9) Cl.** ..... **23-01**

(52) **U.S. Cl.** ..... **D23/223**

(58) **Field of Classification Search** ..... D23/213,  
D23/223, 229, 230; 239/282, 283; 4/615

See application file for complete search history.

(56) **References Cited**

**U.S. PATENT DOCUMENTS**

D590,916 S *	4/2009	Schoenherr et al.	.....	D23/223
D590,917 S *	4/2009	Schoenherr et al.	.....	D23/223
D654,983 S *	2/2012	Schoenherr et al.	.....	D23/223
D654,984 S *	2/2012	Schoenherr et al.	.....	D23/223
D655,384 S *	3/2012	Schoenherr et al.	.....	D23/223
D655,385 S *	3/2012	Schoenherr et al.	.....	D23/223
D655,386 S *	3/2012	Schoenherr et al.	.....	D23/223
D655,783 S *	3/2012	Schoenherr et al.	.....	D23/223

**OTHER PUBLICATIONS**

Brochure—Shower Accessory, 3 pgs., Kaiping Xianglin Sanitary Ware Industrial Co. Ltd., Kaiping City, China (at least as early as May 26, 2010).

Brochure—Rainshower, 3 pgs., Xiamen Rainshower Co., Ltd., Xiamen, China (at least as early as May 26, 2010).

Brochure—Topon 2010, 3 pgs., Xiamen Topon Showers Co., Ltd., Xiamen, China (at least as early as May 26, 2010).

Brochure—Modi, 3 pgs., Heshan Modi Metallic & Plastic Products Co., Ltd., Heshan City, Guangdong, China (at least as early as May 26, 2010).

\* cited by examiner

*Primary Examiner* — Robin V Webster

(74) *Attorney, Agent, or Firm* — Nirav D. Parikh; Edgar A. Zarins; Lora J. Graentzdoerffer

(57) **CLAIM**

The ornamental design for a handheld shower, as shown and described.

**DESCRIPTION**

FIG. 1 is a perspective view of a handheld shower showing our design;

FIG. 2 is a front elevational view thereof;

FIG. 3 is a rear elevational view thereof;

FIG. 4 is a left side elevational view thereof; the right side elevational view being a mirror image thereof;

FIG. 5 is a top plan view thereof; and,

FIG. 6 is a bottom plan view thereof.

**1 Claim, 6 Drawing Sheets**



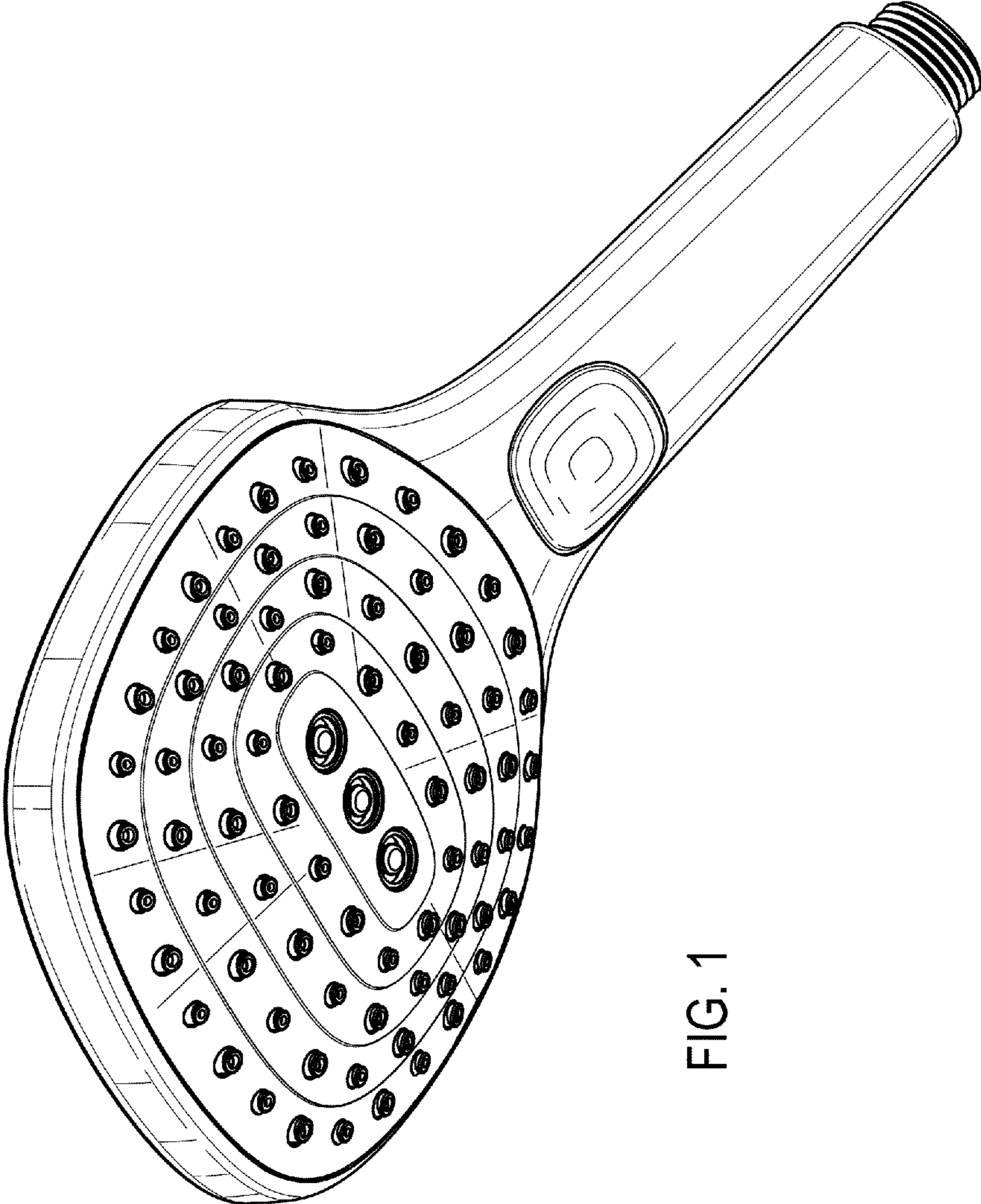


FIG. 1

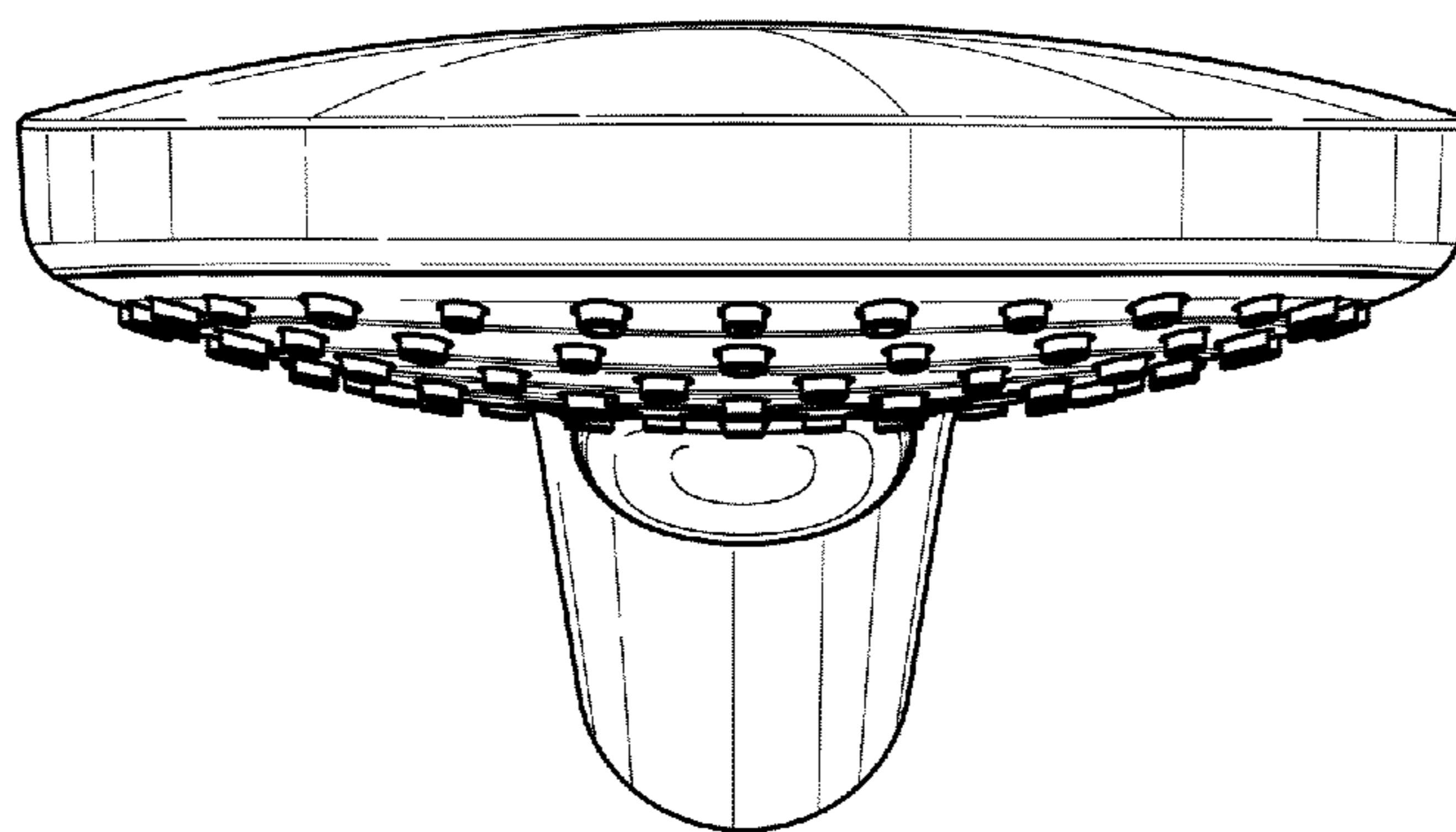


FIG. 2

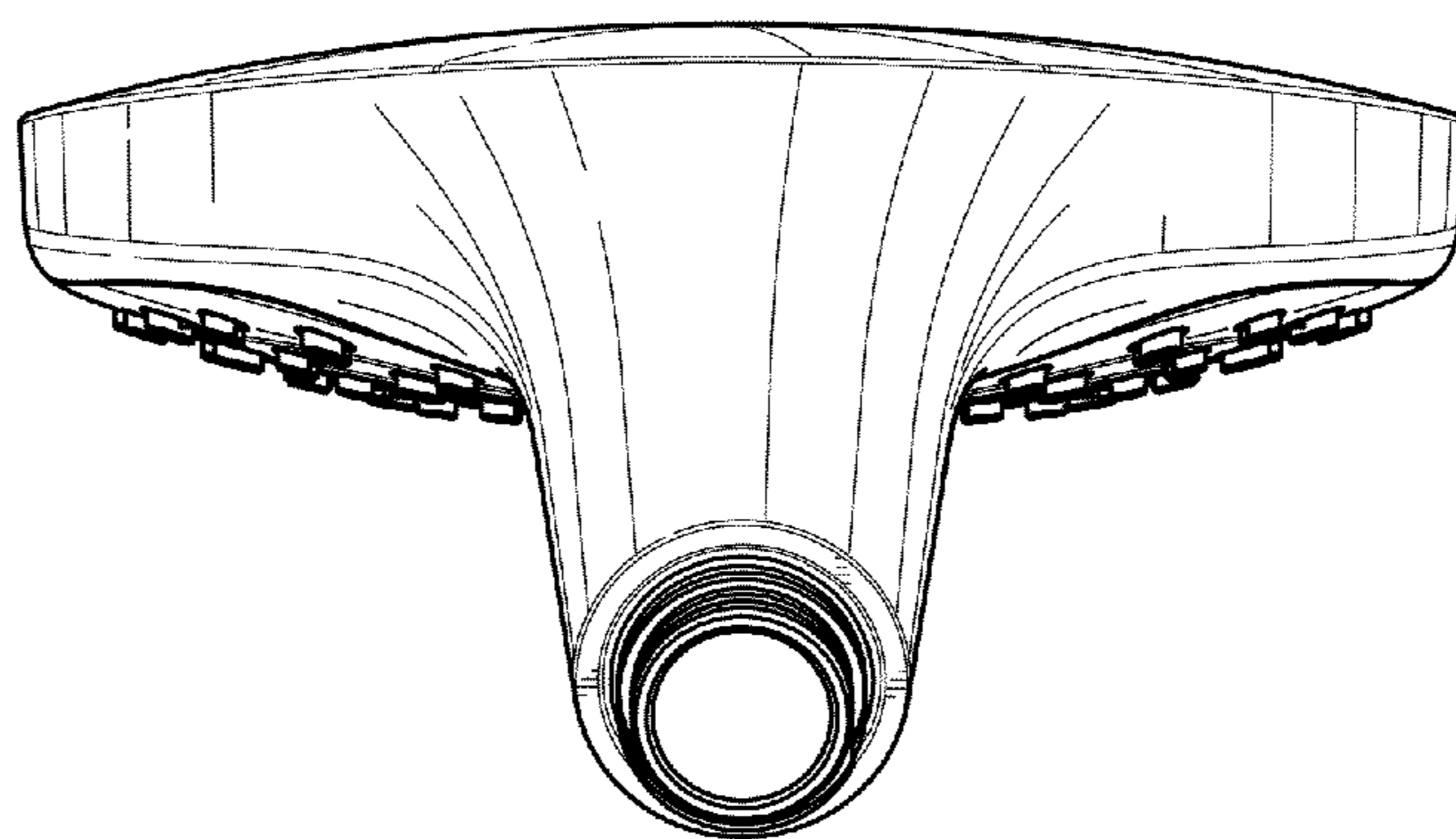


FIG. 3

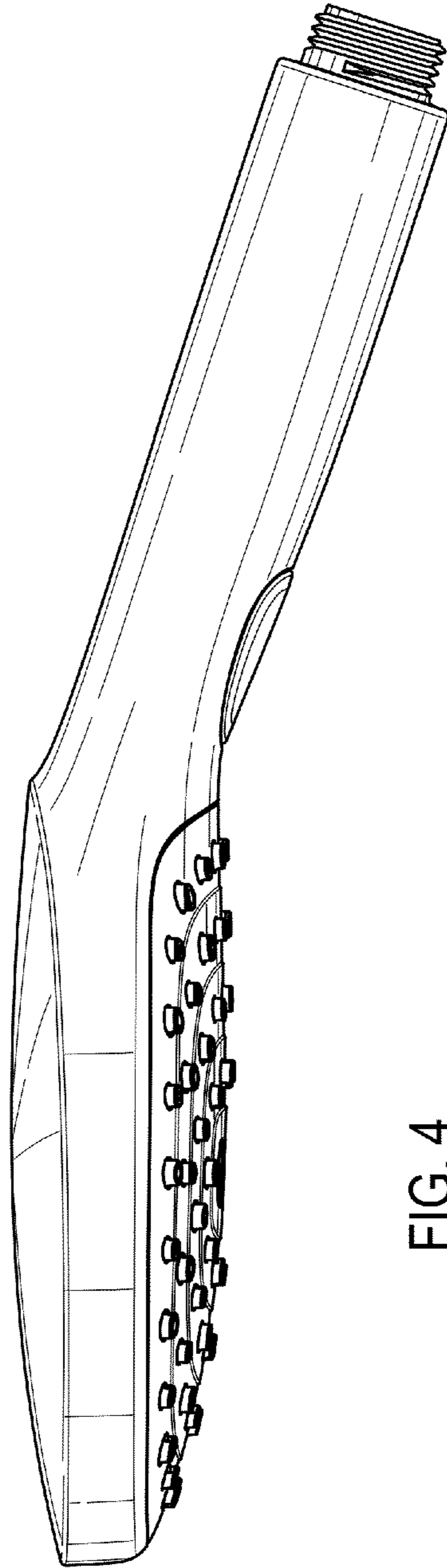


FIG. 4



FIG. 5

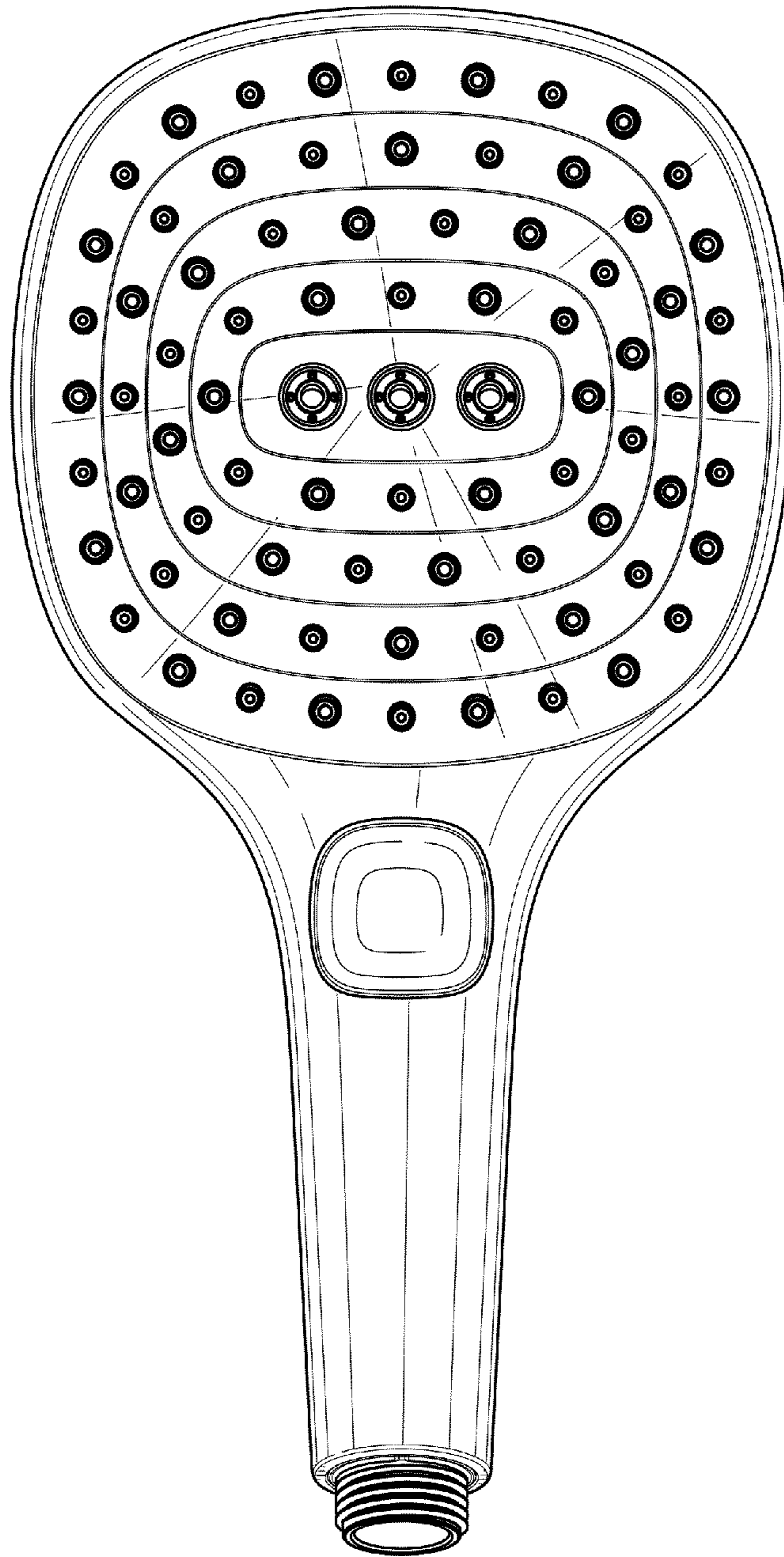


FIG. 6